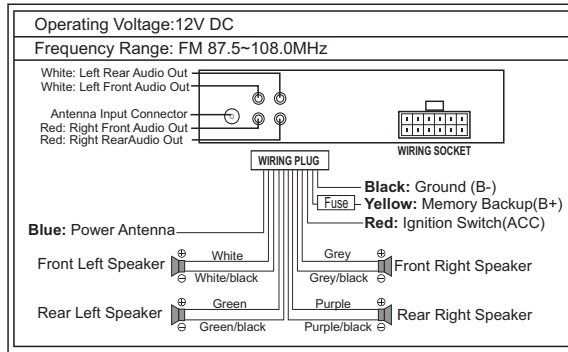


INSTRUCTION MANUAL



JSD-520

SPECIFICATIONS

FM TUNER

Frequency Range	87.5~108.0MHz
Sensitivity	12dB μ V
I.F. Frequency	10.7MHz
Frequency Response	40Hz~15KHz(\pm 3dB)
Stereo Separation	> 28dB
S/N Ratio	> 50dB

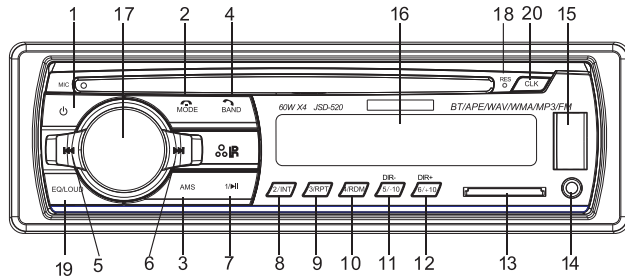
GENERAL

Power Supply Voltage	12V DC, Negative Ground
Max Current Consumption	15A
Max Output Power	4x60W

Note: specifications and the design are subject to possible modification without notice due to improvement.



OPERATION MANUAL



LOCATION OF CONTROL

1. Power ON/OFF
2. Function Selector (radio/usb/sd/aux-in/bt) & End call
3. Auto Seek Search Tuning (AMS)
4. Band Button (FM1-FM2-FM3) & Answer call
- 5./6. Track Skip/ Search Forward/ Backward , Manual Auto Search Radio
7. Memory Station 1~6 for Radio and Play/pause Function for MP3/WMA
8. Intro Function for MP3/WMA
9. Repeat Function for MP3/WMA
10. Random Function for MP3/WMA
11. -10 Function for MP3/WMA
12. +10 Function for MP3/WMA
13. SD Card Slot
14. Aux In Jack
15. USB Port
16. LCD Display
17. Volume / Select Control
18. Reset Button
19. EQ Button
20. CLK Button

Bluetooth: Search for Bluetooth devices on your phone. Pair to device using the password "0000". Some phone automatically connect to the search.

OPERATING INSTRUCTIONS

1. POWER ON/OFF

Short press turn on, long press three seconds turn off.

2. MODE--FUNCTION SELECTOR

Push this button repeatedly and the lcd will display the following sequence: RADIO → USB → SD → AUX-IN → BT. In bluetooth mode, short press to end call.

3. AUTO SEEK SEARCH TUNING (AMS)

In radio mode, short press for the browser, long press to automatically save the station.

In playback mode, the function is to choose the song.

4. BAND BUTTON

In radio mode, each band is toggled cyclicly by pressing the key FM1-FM2-FM3.

In bluetooth mode, short press to answer call.

5./6. BUTTON

Track skip in MP3 player mode (usb/sd/mmc) / radio search; Press the button during playback to go to the desired track; Press to search to the desired radio station.

7. BUTTON

Memory station 1-6 for radio control the playback of your music coming through the usb or sd/mmc external device by pressing once to start playback. During "play" repress the button to pause playback. Press the button once more to resume play.

8. BUTTON

When this button is pressed, 'INT' indication is displayed and the first several seconds of each track is played. Press again to stop intro and listen to track.

9. BUTTON

When this button is pressed, 'RPT' indication is displayed and the selected track will be continually repeated until the track repeat mode is cancelled by pressing the 'RPT' button again.

10. BUTTON

When this button is pressed, 'RDM' indication is displayed and the tracks are played in random instead of normal progression. To cancel random mode, press the 'RDM' button again.

11. -10 BUTTON

In playback mode, short press to -10, long press to choose a folder.

12. +10 button

In playback mode, short press to +10, long press to choose a folder.

13. SD CARD SLOT

Insert the SD/MMC card in the slot by pushing it gently inward. Select SD with the mode selector. The music starts to play automatically. * Support music file format: MP3,WMA .

14. AUX IN JACK

Insert your portable player into the jack, in any playing mode, audio will come through the car speaker.

15. USB PORT

Use a usb cable (not included) if necessary, to connect your portable mp3 player.

16. LCD DISPLAY

The LCD display show the actual reception and function.

17. VOLUME / SELECT CONTROL

Rotate the volume knob to control the volume. To select other function, Press the select button shortly until the desired function is shown on the display. * volume (rotate knob) → select (push down) → bass → treble balance → fader → loud → EQ (flat-pop-classic-rock)

18. RESET BUTTON

Restore factory defaults.

19. EQ & LOUD BUTTON

EQ (flat-pop-classic-rock); Loudness ON/OFF

20. CLK BUTTON

Electronic clock button.

FCC Warning:

FCC ID: 2ABQZ-JSD

Changes or modifications not expressly approved by the party responsible for compliance could void the user's authority to operate the equipment.

This device complies with Part 15 of the FCC Rules. Operation is subject to the following two conditions: (1) this device may not cause harmful interference, and (2) this device must accept any interference received, including interference that may cause undesired operation.

This equipment has been tested and found to comply with the limits for a Class B digital device, pursuant to Part 15 of the FCC Rules. These limits are designed to provide reasonable protection against harmful interference in a residential installation. This equipment generates, uses and can radiate radio frequency energy and, if not installed and used in accordance with the instructions, may cause harmful interference to radio communications. However, there is no guarantee that interference will not occur in a particular installation.

If this equipment does cause harmful interference to radio or television reception, which can be determined by turning the equipment off and on, the user is encouraged to try to correct the interference by one or more of the following measures:

- Reorient or relocate the receiving antenna.
- Increase the separation between the equipment and receiver.
- Connect the equipment into an outlet on a circuit different from that to which the receiver is connected.
- Consult the dealer or an experienced radio/TV technician for help.

This device complies with FCC RF radiation exposure limits set forth for an uncontrolled environment. This transmitter must not be co-located or operating in conjunction with any other antenna or transmitter