

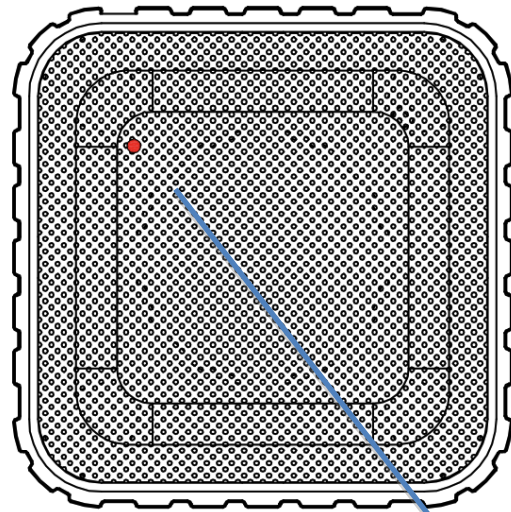
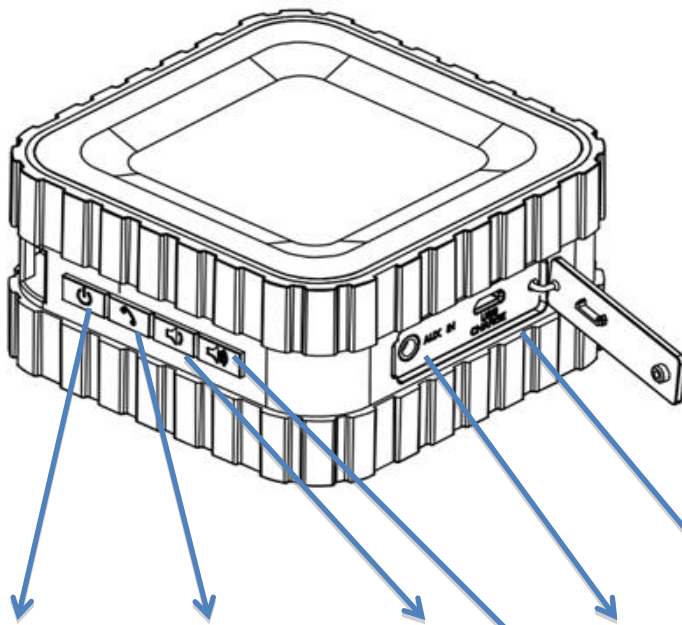
HR-686

Bluetooth Speaker



What's in the box

1 x HR-686 Bluetooth speaker 1 x Micro USB charge cable
1 x Users manual 1 x AUX cable



Power Switch Hand-free Volume - Volume + AUX USB charge port LED indicator

Charging the HR-686 (3.7V 800mAh rechargeable battery built-in)

1- Connect HR-686 with PC/Laptop/Mac or any 5V USB adaptor(not included) with the USB cable included.

- 2- Red LED turns ON during charging, turns OFF after fully charged.
- 3- Unplug USB cable after fully charged.
- 4- Red LED twinkles when low power(<21%), with indication sound.

Pairing HR-686 with mobiles (Bluetooth enabled) and Tablets.

- 1- Please keep the speaker and mobile within 1 meter.
- 2- Turn on HR-686, white & red LED blinks quickly, the speaker is standby for pairing.
- 3- Start the Bluetooth function of mobile and search the Bluetooth devices, after searched, select "HR-686" in the Bluetooth device list. As per of the pairing process, you may need to enter a passkey (0000) depending on Bluetooth version of devices.
- 4- After successful pairing, select "HR-686" in the Bluetooth device list, and press "connect"
- 5- After successful connecting, LED changes to solid white.

Note:

- 1: If the pairing is not successful, turn off speaker and re-pair again.
- 2: After successful pairing, paired devices will remember each other. Unless pairing information is deleted, no need to pair when use next time.
- 3: Pair with new device according to steps 1-5 above after disconnecting existing pair.

Pairing HR-686 with iPhone, iPad

- 1- Please keep HR-686 and iPhone (iPad) in the range of 1 meter when pairing.
- 2- Turn on HR-686, white & red LED blinks quickly, the unit is standby for pairing.
- 3- In iPhone (iPad) General > Bluetooth, tap on Bluetooth function, and search the Bluetooth devices, tap HR-686 to connect it.

Pairing HR-686 with PC or notebook

- 1- Please keep HR-686 and PC in the range of 1 meter when pairing.
- 2- Turn on HR-686, white & red LED blinks quickly, the unit is standby for pairing.
- 3- Run Bluetooth program of your system.
- 4- Please use "Search new device" function in the program.
- 5- Your system should find HR-686 on your dialog, then double click the icon to confirm the program should show the connection has been made. As per of the pairing process, you may need to enter a passkey (0000) depending on Bluetooth version of devices.

Pairing HR-686 with Mac OS X 10 or above

- 1- Please keep HR-686 and Mac in the range of 1 meter when pairing.
- 2- Turn on HR-686, white & red LED blinks quickly, the unit is standby for pairing.
- 3- Pair it with Mac – choose setup Bluetooth Device from the Bluetooth status menu in the menu bar, and follow the onscreen instructions to pair with the speaker. If the Bluetooth status menu is not available, open Bluetooth Preference and select the "Show Bluetooth status in the menu bar" checkbox. As per of the pairing process, you may need to enter a passkey (0000) depending on Bluetooth version of devices.
- 4- Open System Preferences and click Sound.
- 5- Click Output and select the Bluetooth speaker.
- 6- Click Input and select your speaker. Adjust the Input and Output volume.

Re-connecting to a paired device

Every time HR-686 is turned on, it has one of 2 conditions as below

- 1- connect to last connected devices automatically, then just start music playback.
- 2- be listed in the screen of devices as a output channel, then please select HR-686 as output channel and play music.

Hand-free

- 1- Short press “Hand-free” to answer phone call.
- 2- Short press again to end a call.

Volume control

Control volume via the paired devices, such as iPhone, iPad, Mobile phones, PC/Mac...etc.

AUX port

- 1- You can connect AUX port to any music devices via the AUX cable included.
- 2- Then play music through the devices connected.

Water-Resistant

- 1- HR-686 is compliant with IPX5 waterproof standard “splash proof in all directions”.
- 2- Neither put HR-686 under jet-water nor sink into water.

This equipment has been tested and found to comply with the limits for a Class B digital device, pursuant to part 15 of the FCC Rules. These limits are designed to provide reasonable protection against harmful interference in a residential installation. This equipment generates, uses and can radiate radio frequency energy and, if not installed and used in accordance with the instructions, may cause harmful interference to radio communications. However, there is no guarantee that interference will not occur in a particular installation. If this equipment does cause harmful interference to radio or television reception, which can be determined by turning the equipment off and on, the user is encouraged to try to correct the interference by one or more of the following measures:

- Reorient or relocate the receiving antenna.
- Increase the separation between the equipment and receiver.
- Connect the equipment into an outlet on a circuit different from that to which the receiver is connected.
- Consult the dealer or an experienced radio/TV technician for help.

Caution: Any changes or modifications to this device not explicitly approved by manufacturer could void your authority to operate this equipment.

This device complies with part 15 of the FCC Rules. Operation is subject to the following two conditions: (1) This device may not cause harmful interference, and (2) this device must accept any interference received, including interference that may cause undesired operation.

The device has been evaluated to meet general RF exposure requirement. The device can be used in portable exposure condition without restriction.