

CAUTION
RISK OF EXPLOSION IF BATTERY IS REPLACED
BY AN INCORRECT TYPE.
DISPOSE OF USED BATTERIES ACCORDING
TO THE INSTRUCTIONS

SMART KEY Key FOB

Model Name: SMART KEY Remote Host

Trade Name: 2W SKS

Model Number: WR00098800T1

Type: S300068100

L.O freq: 27.6MHz

Electrical Specifications Characteristics :

Item	Specifications	Remarks
Rated voltage	DC3V	-
Operating current	<6mA(max)@DC3V	-
Dark current	<6uA(max) @DC3V	-
RF receiving frequency	433.92MHz \pm 50KHz	-
LF transmitting frequency	125KHz \pm 3.75KHz	-
Battery Type	CR2032	-
Operating temperature range	-30°C ~ +80°C	Without batteries
Storage temperature range	-40°C ~ +85°C	-

Photographs :



SMART KEY Key FOB

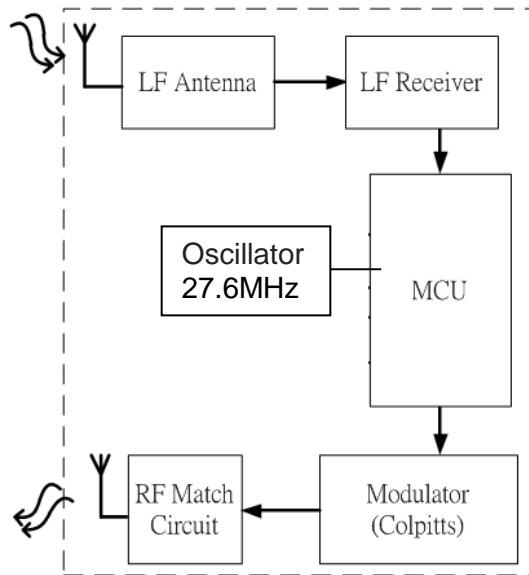
Model Name: SMART KEY Remote Host Trade Name: 2W SKS

Model Number: WR00098800T1

Type:S300068100

L.O freq: 27.6MHz

Block Diagram :



This device complies with part 15 of the FCC Rules. Operation is subject to the following two conditions:

- (1) This device may not cause harmful interference, and
- (2) this device must accept any interference received, including interference that may cause undesired operation.

NOTE: This equipment has been tested and found to comply with the limits for a Class B digital device, pursuant to part 15 of the FCC Rules. These limits are designed to provide reasonable protection against harmful interference in a residential installation. This equipment generates, uses and can radiate radio frequency energy and, if not installed and used in accordance with the instructions, may cause harmful interference to radio communications. However, there is no guarantee that interference will not occur in a particular installation.

If this equipment does cause harmful interference to radio or television reception, which can be determined by turning the equipment off and on, the user is encouraged to try to correct the interference by one or more of the following measures:

- Reorient or relocate the receiving antenna.
- Increase the separation between the equipment and receiver.
- Connect the equipment into an outlet on a circuit different from that to which the receiver is connected.
- Consult the dealer or an experienced radio/TV technician for help.

This device contains licence-exempt transmitter(s) that comply with Innovation, Science and Economic Development Canada's licence-exempt RSS(s). Operation is subject to the following two conditions:

- (1) this device may not cause interference,
- (2) this device must accept any interference, including interference that may cause undesired operation of the device.

L'émetteur exempt de licence contenu dans le présent appareil est conforme aux CNR d'Innovation, Sciences et Développement économique Canada applicables aux appareils radio exempts de licence. L'exploitation est autorisée aux deux conditions suivantes :

- 1) L'appareil ne doit pas produire de brouillage;
- 2) L'appareil doit accepter tout brouillage radioélectrique subi, même si le brouillage est susceptible d'en compromettre le fonctionnement