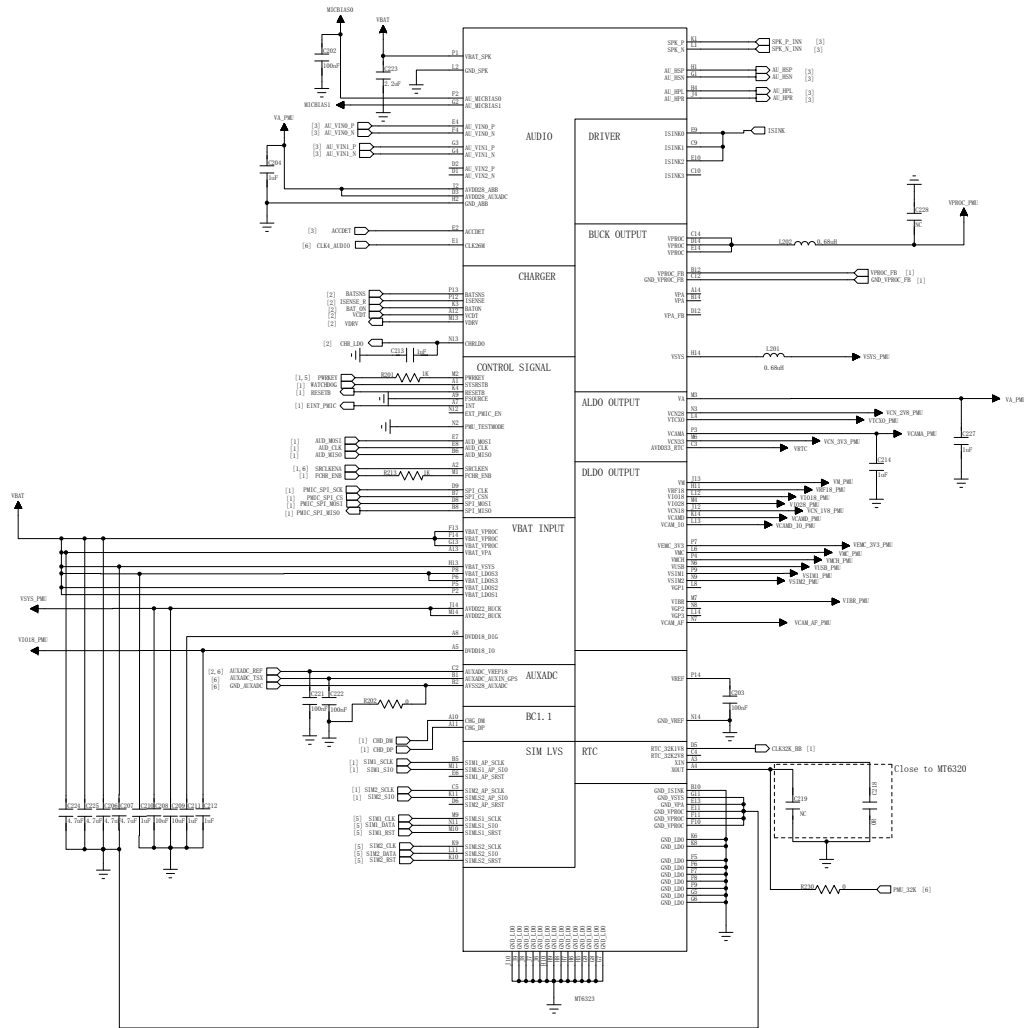
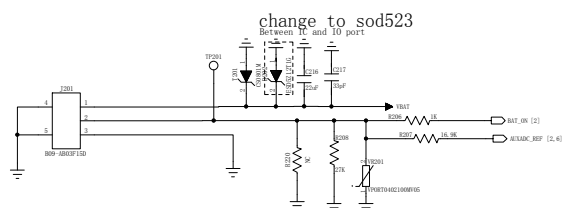


REVISION RECORD			
LYE	REV NO	APPROVED	DATE

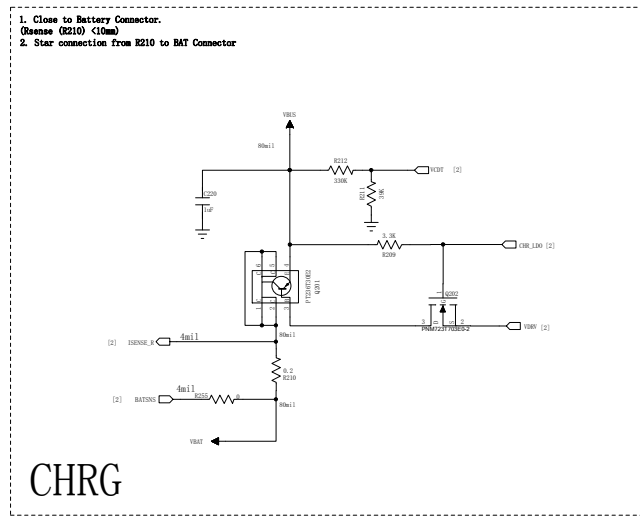


PMU_6323



BAT_CON

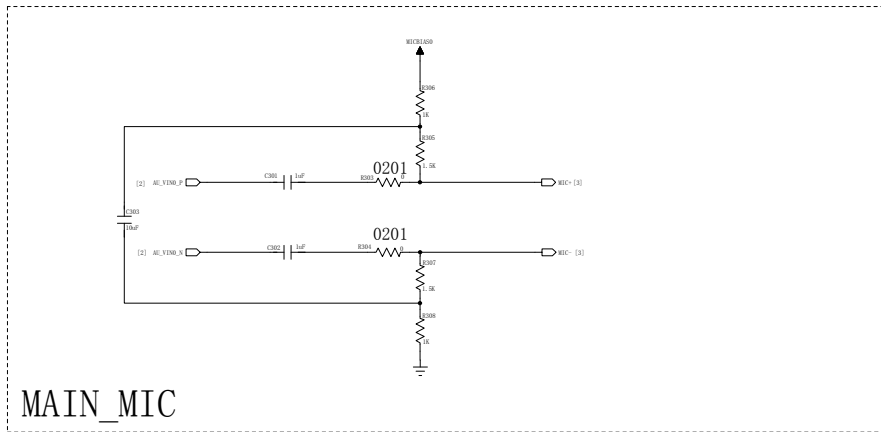
	Symbol	Vout (V)	Iout (mA)	Cap Value (uF)
Buck	VPROC	0.7~1.4	2800	>40
	VSTS	2.2	1400	>20
	VPA	0.6~3.4	600	2.2~2.2
Analog LDO	VA	2.8	180	1
	VCR28	2.8	30	1
	VTC20	2.8	40	1
	VCMA	2.8	180	3.2
Digital LDO	VH	1.2/1.3/1.5/1.6/1.8/1.84	700	10
	VBF18	1.825	200	1
	VIO18	1.8	300	4.7
	VCM18	1.8	120	1
	VIO28	2.8	200	2.2
	VCMD	1.2/1.3/1.5/1.8	160	1
	VCMA10	1.8	100	1
	VIC	1.8/3.3	100	1
	VIC2	3.0/3.3	400	2.2
	VCMC3V3	3.0/3.3	400	4.7
	VCMA3P	1.2/1.3/1.5/1.6/2.0/2.8/3.0/3.3	100	1
	VGF1	1.2/1.3/1.5/1.6/2.0/2.8/3.0/3.3	100	1
	VGF2	1.2/1.3/1.5/1.6/2.0/2.8/3.0	100	1
	VGF3	1.2/1.3/1.5/1.8	200	1
VCM33	3.3/3.4/3.5/3.6	240	4.4	
VISE	3.3	20	1	
VIO18	1.8	20	1	
VEIM1	1.8/3.3	50	1	
VEIM2	1.8/3.3	50	1	
Vibrator	VIBR	1.2/1.3/1.5/1.6/2.0/2.8/3.0/3.3	100	1
RTC	VRTC	2.8	2	0.1~1



CHRG

COMPANY:	GZY		
DATE:	2014-07-04		
TITLE:	Y729_MAIN_V1.0		
DESIGNER:	DATE:	CHECKER:	DATE:
QUALITY CONTROL:	DATE:	SCALE:	1
RELEASED:	DATE:	SCALE:	2 of 9

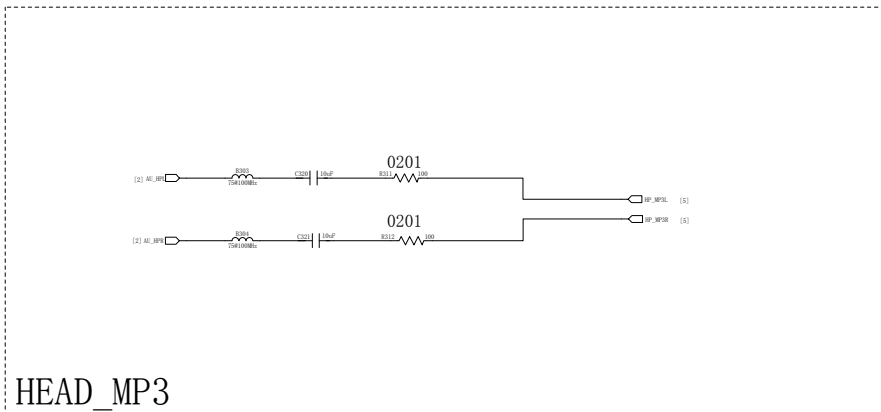
REVISION RECORD			
LYE	REV NO.	APPROVED:	DATE:



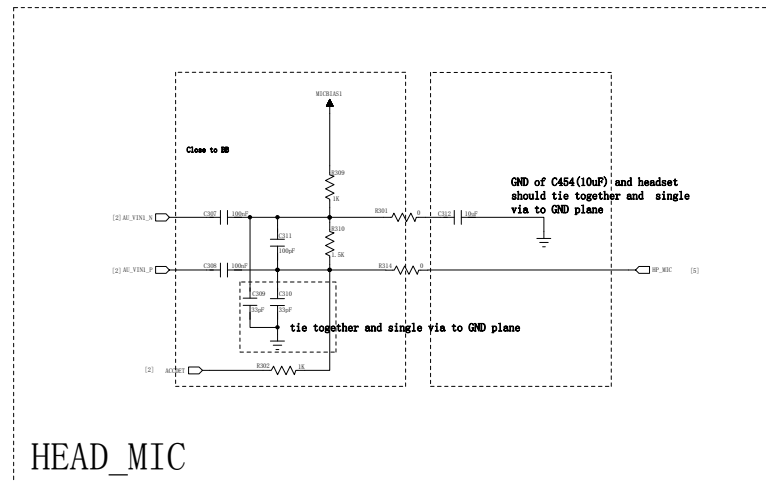
MAIN_MIC



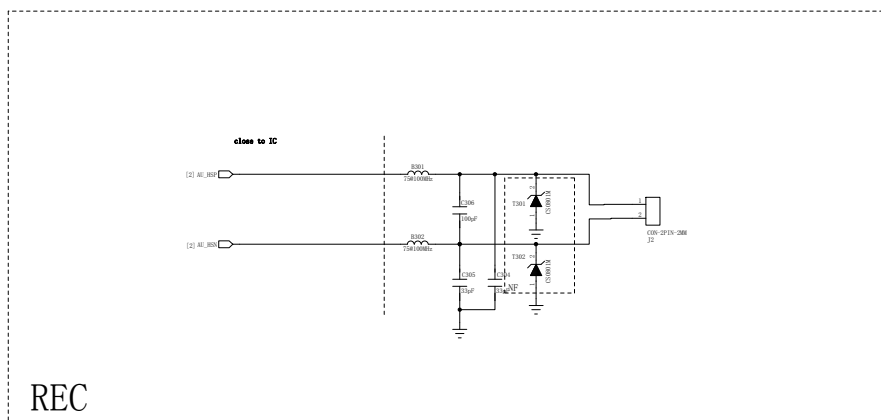
AUDIO_PA



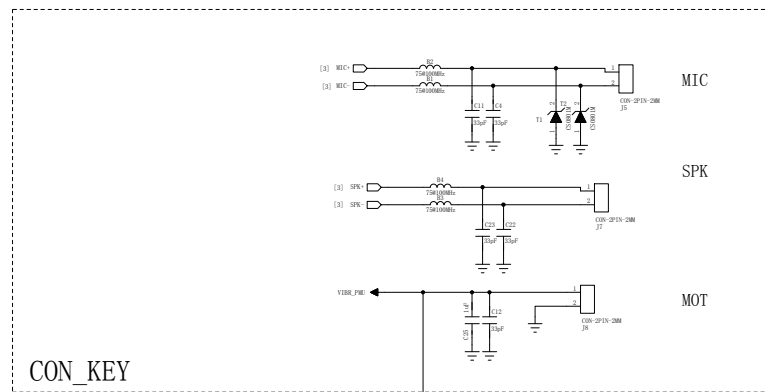
HEAD_MP3



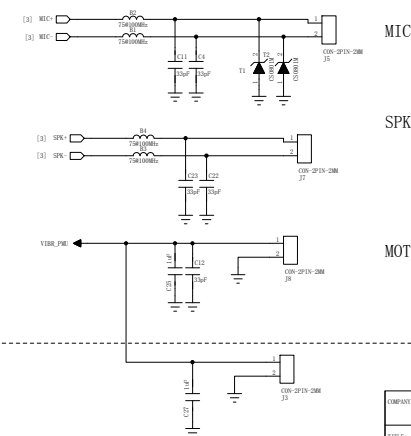
HEAD_MIC



REC

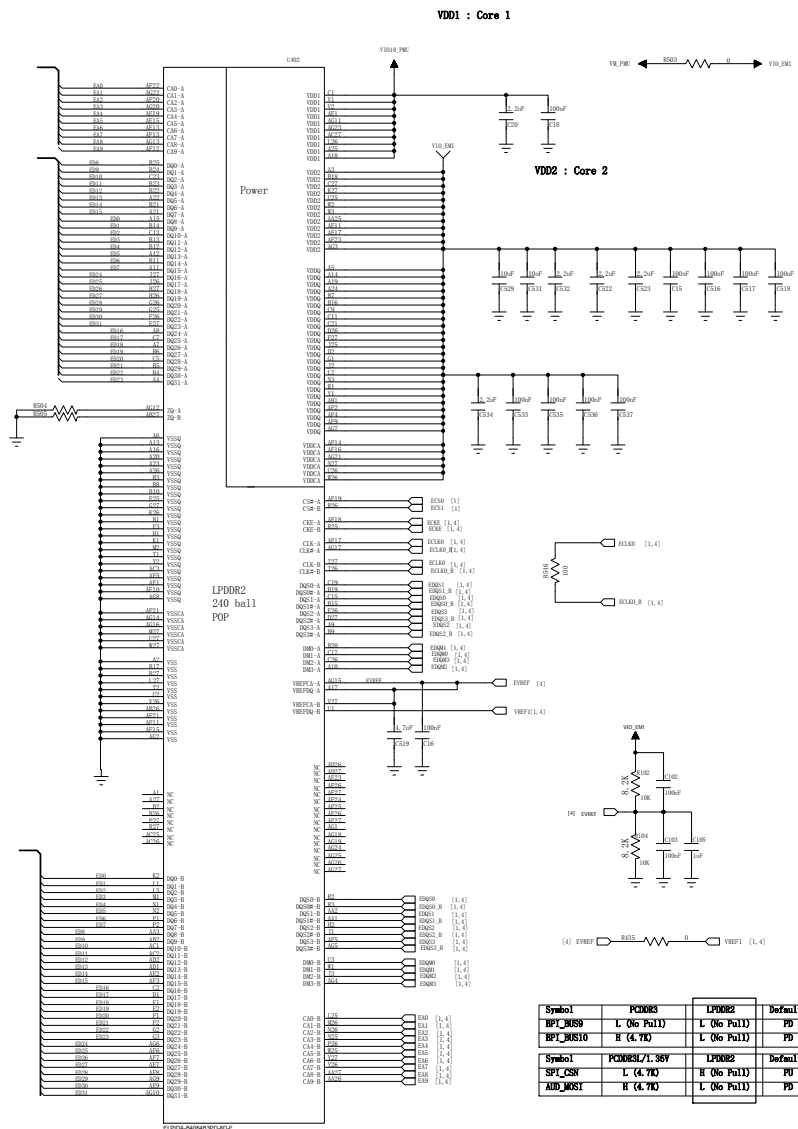


CON_KEY

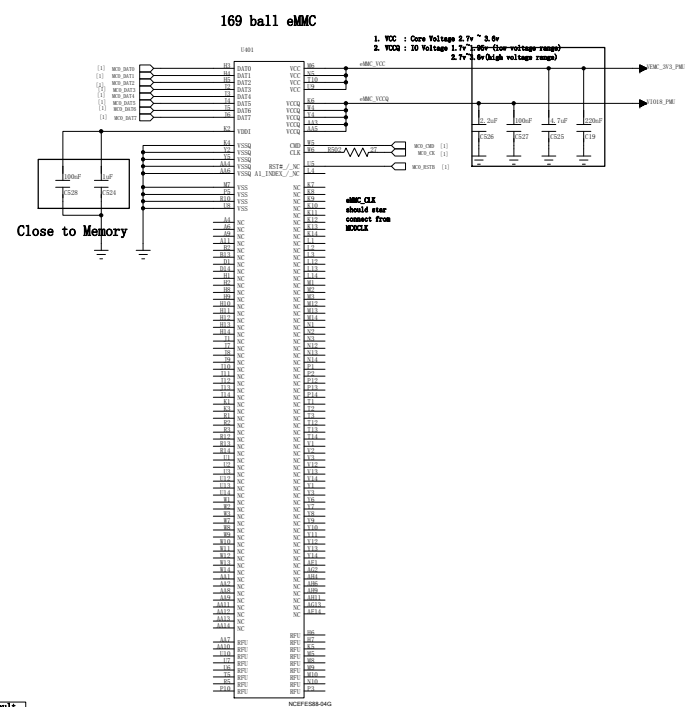


DESIGN:	GZY	DATE:	2014-07-04	COMPANY:		
CHECKED:		DATE:		TITLE:		
QUALITY CONTROL:		DATE:		Y729_MAIN_V1.0		
RELEASED:		DATE:		CODE:	SIZE:	DRAWING NO.:
				A1		
SCALE:				SHEET: 3 of 9		

REVISION RECORD			
LV#	REV NO.	APPROVED:	DATE:

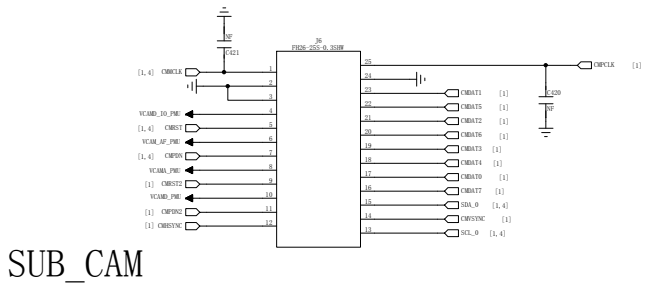
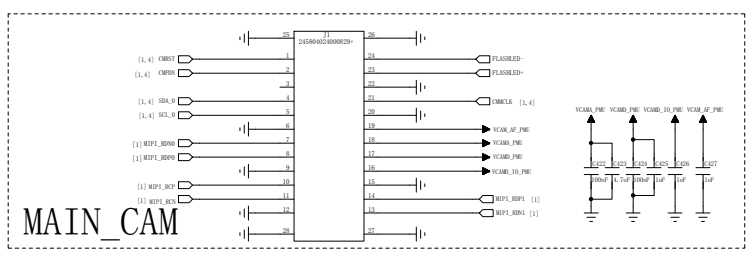
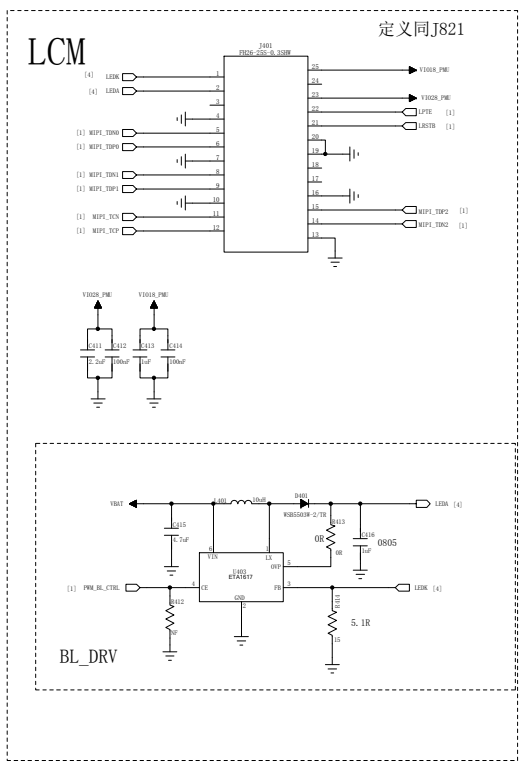


Discrete eMMC (169 balls) 169 ball, 0.5mm pitch



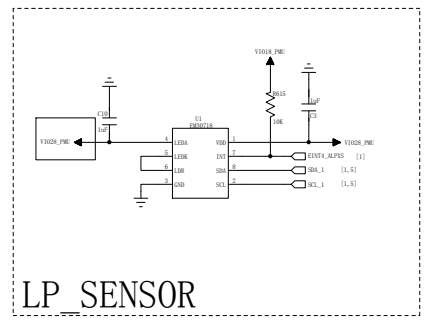
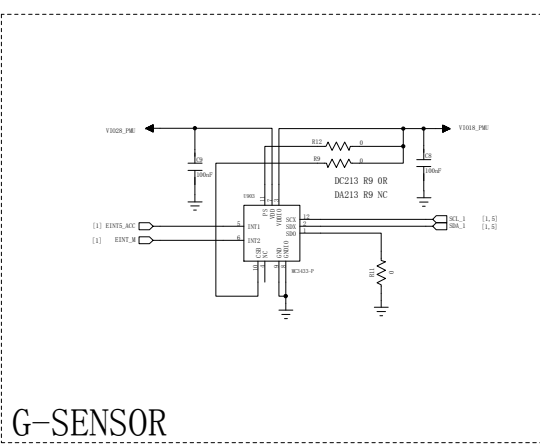
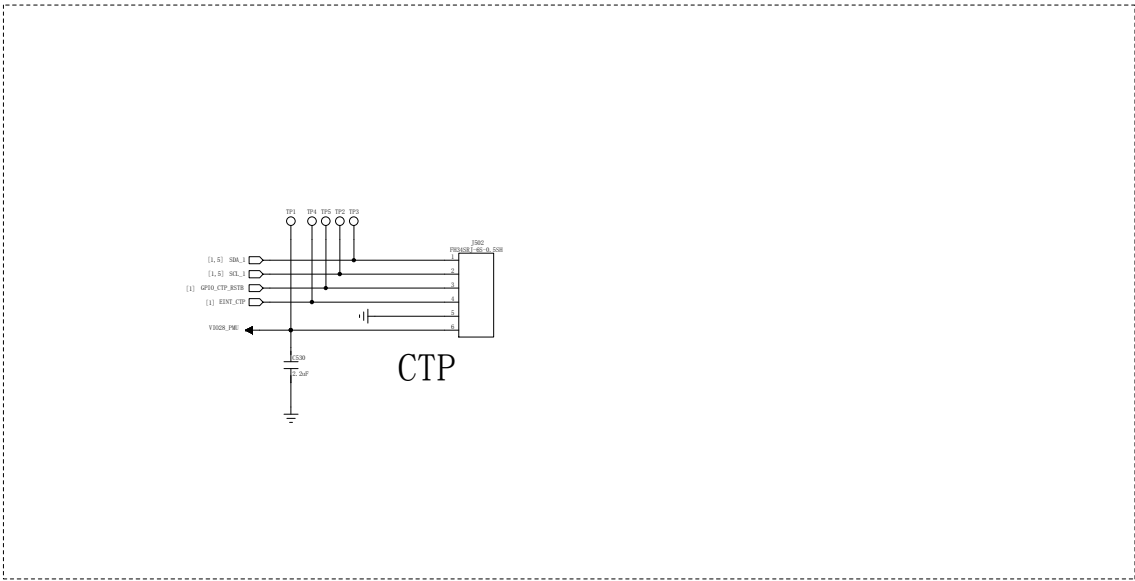
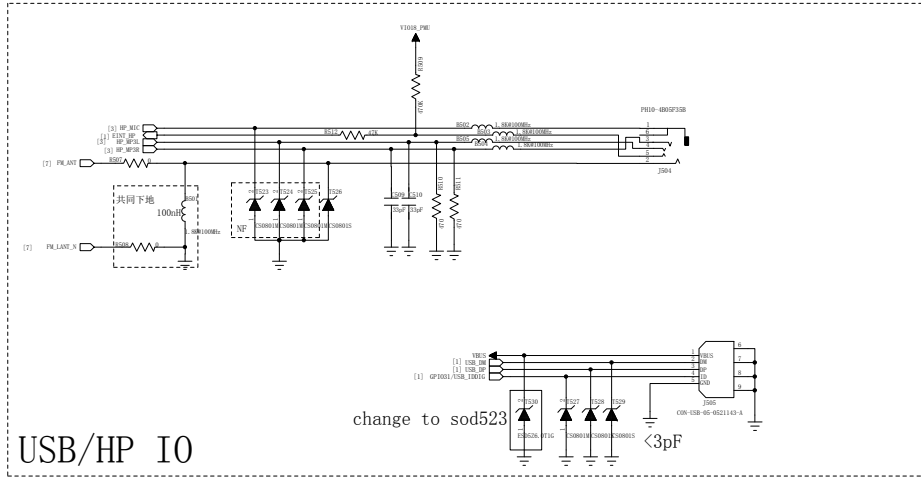
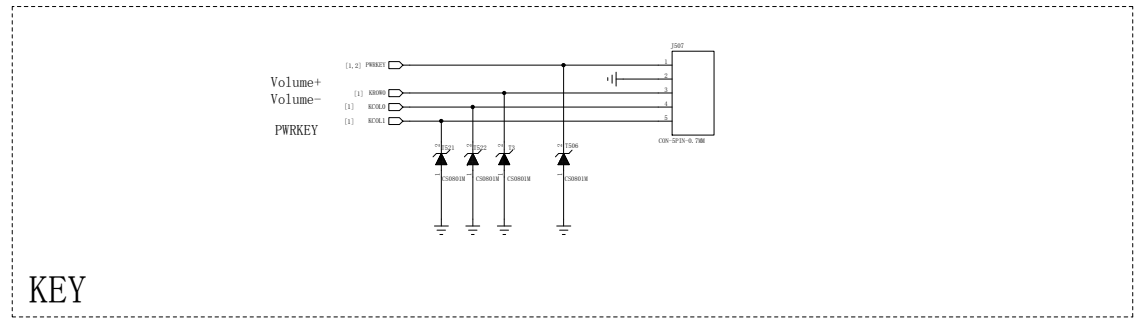
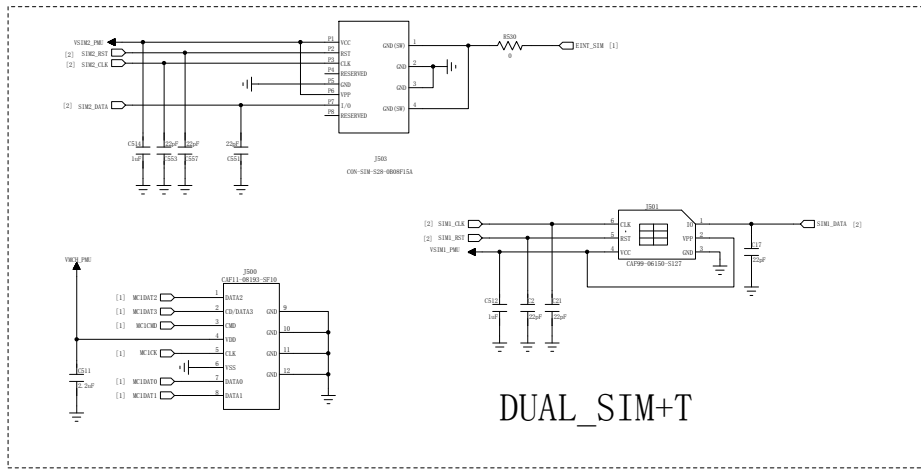
Symbol	PCN08S	LPD08E	Default
BP1_BUS9	L (0g Pull)	L (0g Pull)	PD
BP1_BUS10	H (4.7K)	L (0g Pull)	PD

Symbol	PCN08L/1.38V	LPD08E	Default
SPI_CS#	L (4.7K)	H (0g Pull)	PU
AD0_B0S1	H (4.7K)	L (0g Pull)	PD



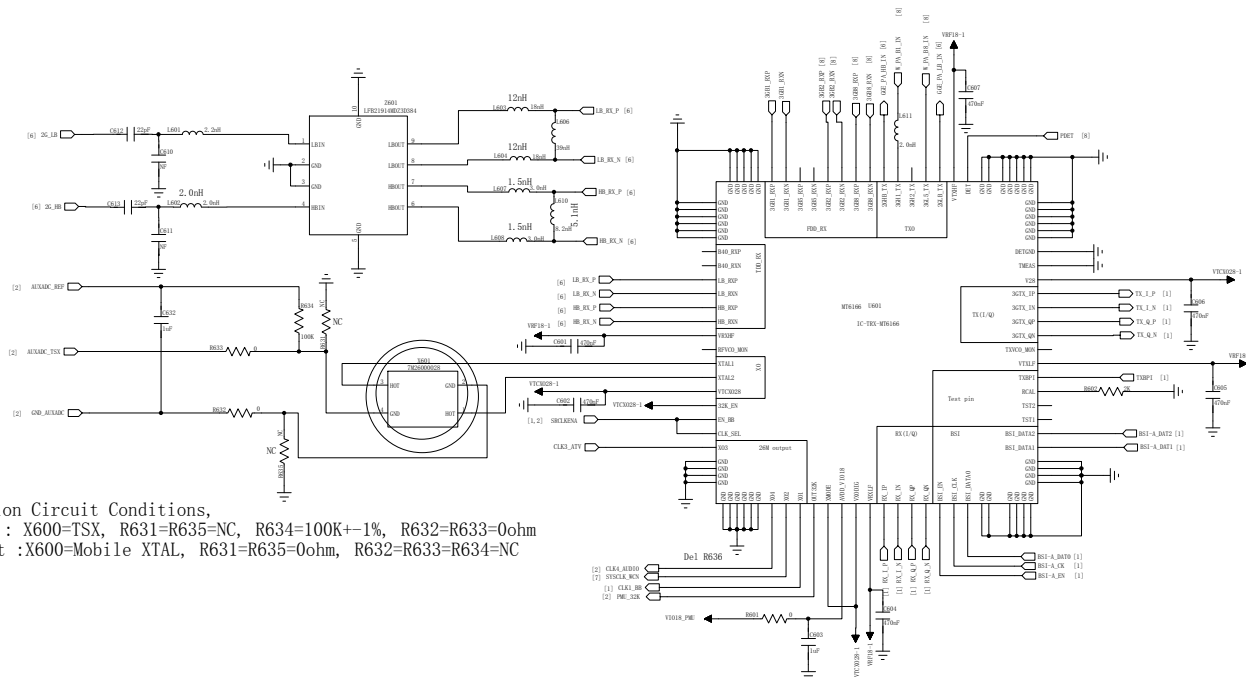
COMPANY:		TITLE:		Y729_MAIN_V1.0	
DESIGN:	GZY	DATE:	2014-07-04	CORE:	SIZE:
CHECKED:		DATED:		DRAWING NO.:	REV:
QUALITY CONTROL:		DATED:		A1	
RELEASED:		DATED:		SCALE:	SHEET: 4 of 9

REVISION RECORD			
REV	REV NO.	APPROVED:	DATE:



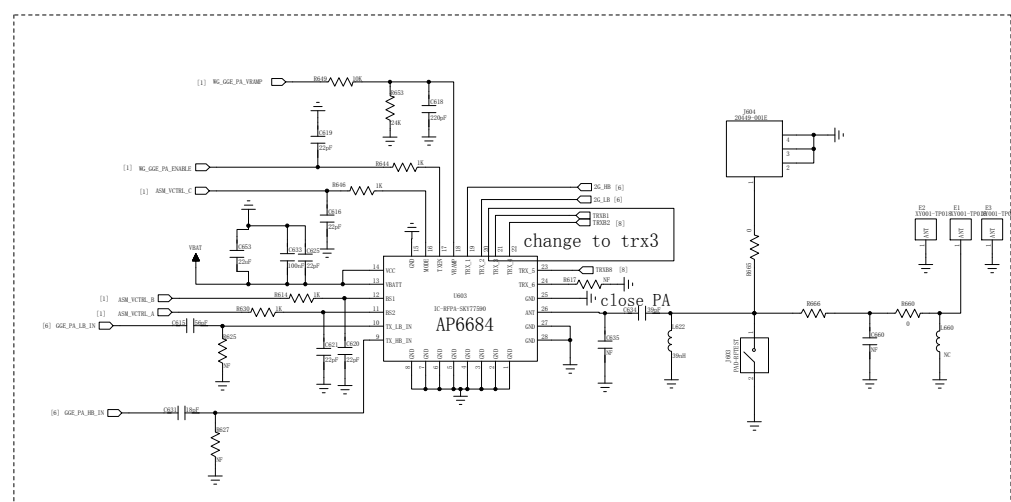
COMPANY:		TITLE:		Y729_MAIN_V1.0	
DESIGN: GZY	DATE: 2014-07-04	CODE:	SIZE:	DRAWING NO.:	REV:
CHECKED:	DATE:	A1			
QUALITY CONTROL:	DATE:				
RELEASED:	DATE:				
SCALE:				SHEET: 5 of 9	

REVISION RECORD			
REV	REV No.	APPROVED:	DATE:



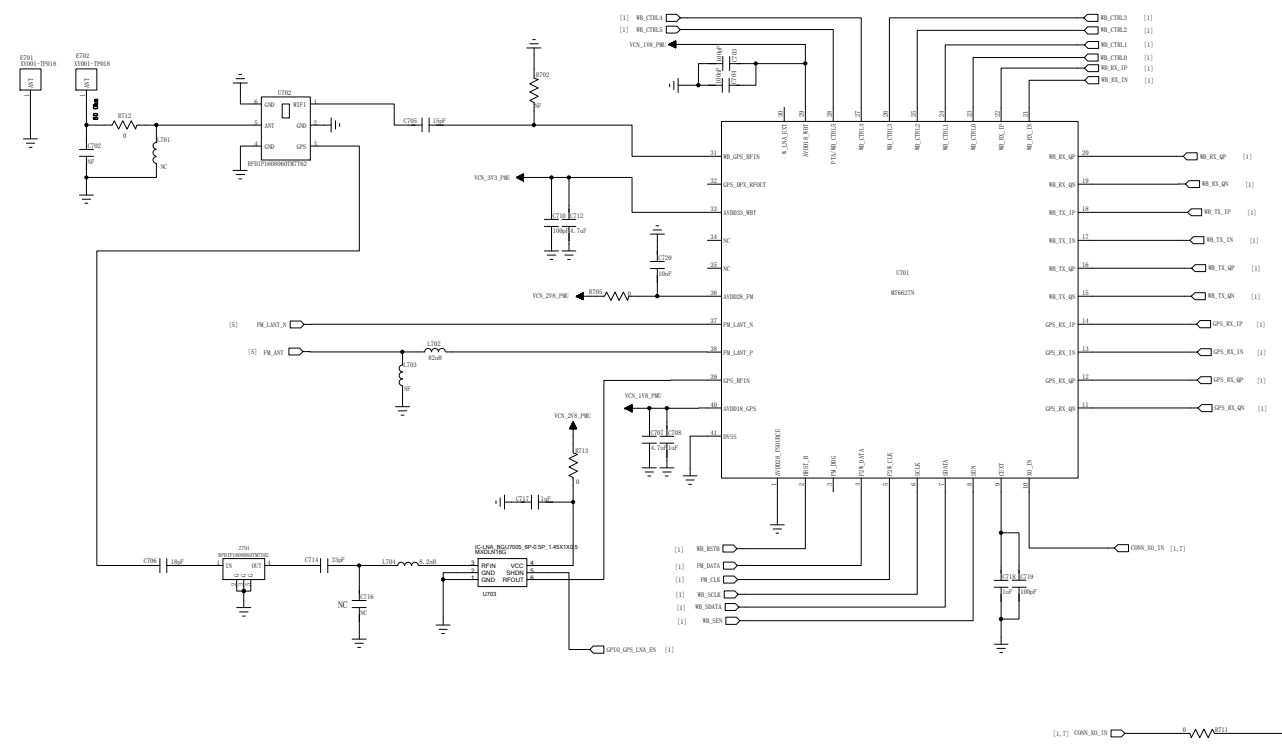
Two Application Circuit Conditions,
 1. TSX Circuit : X600=TSX, R631=R635=NC, R634=100K+-1%, R632=R633=0ohm
 2. XTAL Circuit : X600=Mobile XTAL, R631=R635=0ohm, R632=R633=R634=NC

TRANSCEIVER_MT6166



COMPANY:		TITLE:		Y729_MAIN_V1.0	
DESIGN:	GZY	DATE:	2014-07-04	CODE:	
CHECKED:		DATE:		SIZE:	
QUALITY CONTROL:		DATE:		DRAWING NO.:	
RELEASED:		DATE:		REV:	
SCALE:				SHEET: 6 of 9	

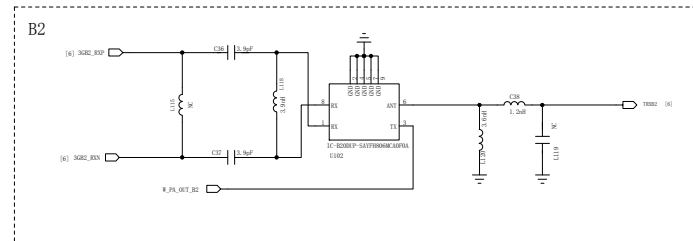
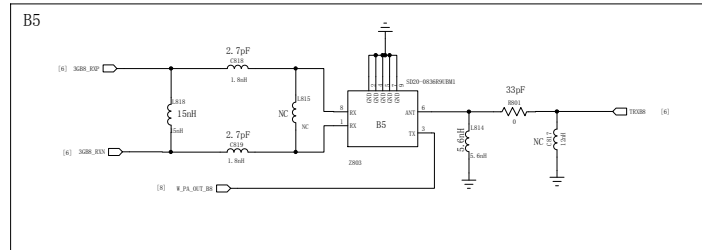
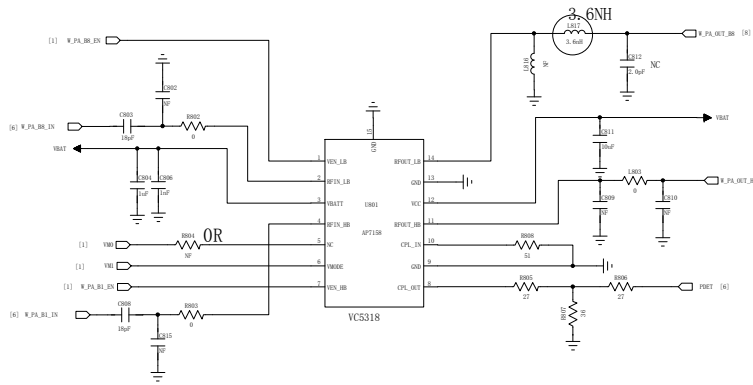
REVISION RECORD			
LYE	REV NO:	APPROVED:	DATE:



WIFI/BT/FM/GPS

DRAWN: GZY		DATE: 2014-07-04		COMPANY:			
CHECKED:		DATED:		TITLE: Y729_MAIN_V1.0			
QUALITY CONTROL:		DATED:		CODE:	SIZE:	DRAWING NO:	REV:
RELEASED:		DATED:		A1			
SCALE:				SHEET: 7 of 9			

REVISION RECORD			
REV	REV NO.	APPROVED:	DATE:



DESIGN: GZY		DATE: 2014-07-04		COMPANY:		
CHECKED:		DATE:		TITLE: Y729_MAIN_V1.0		
QUALITY CONTROL:		DATE:		CODE:	SIZE: A1	DRAWING NO.:
RELEASED:		DATE:		SCALE:		SHEET: 8 OF 9