



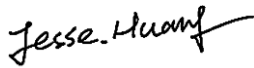
## SAR EVALUATION REPORT

For

### Sky Phone LLC

1348 Washington Av. Suite 350, Miami Beach, Florida, United States

**FCC ID: 2ABOSSKYELITE55LP**

<b>Report Type:</b> Original Report	<b>Product Type:</b> 4G Smart Phone
<b>Report Number:</b> RSZ161124003-20	
<b>Report Date:</b> 2017-01-26	
<b>Reviewed By:</b> Jesse Huang Manager	
<b>Prepared By:</b> Bay Area Compliance Laboratories Corp. (Kunshan) No.248 Chenghu Road, Kunshan, Jiangsu province, China Tel: +86-0512-86175000 Fax: +86-0512-88934268 <a href="http://www.baclcorp.com.cn">www.baclcorp.com.cn</a>	

Note: This test report is prepared for the customer shown above and for the device described herein. It may not be duplicated or used in part without prior written consent from Bay Area Compliance Laboratories Corp.

Attestation of Test Results			
<b>EUT Information</b>	<b>EUT Description</b>	4G Smart Phone	
	<b>Tested Model</b>	ELITE 5.5L+	
	<b>FCC ID</b>	2ABOSSKYELITE55LP	
	<b>Serial Number</b>	16112400321	
	<b>Test Date</b>	2017-01-23 ~ 2017-01-26	
<b>MODE</b>		<b>Max. SAR Level(s) Reported(W/Kg)</b>	<b>Limit (W/Kg)</b>
<b>GSM 850</b>	1g Head SAR	0.19	<b>1.6</b>
	1g Body SAR	0.42	
<b>PCS 1900</b>	1g Head SAR	0.29	
	1g Body SAR	0.74	
<b>WCDMA Band 2</b>	1g Head SAR	0.43	
	1g Body SAR	0.42	
<b>WCDMA Band 4</b>	1g Head SAR	0.37	
	1g Body SAR	0.49	
<b>WCDMA Band 5</b>	1g Head SAR	0.10	
	1g Body SAR	0.23	
<b>LTE Band 2</b>	1g Head SAR	0.41	
	1g Body SAR	0.48	
<b>LTE Band 4</b>	1g Head SAR	<b>0.43</b>	
	1g Body SAR	0.44	
<b>LTE Band 5</b>	1g Head SAR	0.09	
	1g Body SAR	0.22	
<b>LTE Band 7</b>	1g Head SAR	0.24	
	1g Body SAR	<b>1.35</b>	
<b>LTE Band 17</b>	1g Head SAR	0.06	
	1g Body SAR	0.48	
<b>Simultaneous</b>	1g Head SAR	0.80	
	1g Body SAR	1.54	
	1g Body SAR	1.54(Hotspot)	
<b>Applicable Standards</b>	<b>ANSI / IEEE C95.1 : 2005</b> IEEE Standard for Safety Levels with Respect to Human Exposure to Radio Frequency Electromagnetic Fields,3 kHz to 300 GHz.		
	<b>ANSI / IEEE C95.3 : 2002</b> IEEE Recommended Practice for Measurements and Computations of Radio Frequency Electromagnetic Fields With Respect to Human Exposure to Such Fields,100 kHz—300 GHz.		
	<b>FCC 47 CFR part 2.1093</b> Radiofrequency radiation exposure evaluation: portable devices		
	<b>IEEE1528:2013</b> IEEE Recommended Practice for Determining the Peak Spatial-Average Specific Absorption Rate (SAR) in the Human Head from Wireless Communications Devices: Measurement Techniques		
	<b>IEC 62209-2:2010</b> Human exposure to radio frequency fields from hand-held and body-mounted wireless communication devices-Human models, instrumentation, and procedures-Part 2: Procedure to determine the specific absorption rate (SAR) for wireless communication devices used in close proximity to the human body (frequency range of 30 MHz to 6 GHz)		

<b>Applicable Standards</b>	<p><b>KDB procedures</b>                  KDB 447498 D01 General RF Exposure Guidance v06                  KDB 648474 D04 Handset SAR v01r03                  KDB 865664 D01 SAR Measurement 100 MHz to 6 GHz v01r04                  KDB 865664 D02 RF Exposure Reporting v01r02                  KDB 941225 D01 3G SAR Procedures v03r01                  KDB 941225 D05 SAR for LTE Devices v02r04                  KDB 941225 D06 Hotspot Mode v02r01</p>
<p><b>Note:</b> This wireless device has been shown to be capable of compliance for localized specific absorption rate (SAR) for General Population/Uncontrolled Exposure limits specified in ANSI/IEEE Standards and has been tested in accordance with the measurement procedures specified in IEEE 1528-2013 and RF exposure KDB procedures.</p> <p><b>The results and statements contained in this report pertain only to the device(s) evaluated.</b></p>	

## TABLE OF CONTENTS

**DOCUMENT REVISION HISTORY .....5**

**EUT DESCRIPTION .....6**  
 TECHNICAL SPECIFICATION ..... 6

**REFERENCE, STANDARDS, AND GUIDELINES .....7**  
 SAR LIMITS ..... 8

**FACILITIES .....9**

**DESCRIPTION OF TEST SYSTEM .....10**

**EQUIPMENT LIST AND CALIBRATION .....15**  
 EQUIPMENTS LIST & CALIBRATION INFORMATION ..... 15

**SAR MEASUREMENT SYSTEM VERIFICATION .....16**  
 LIQUID VERIFICATION ..... 16  
 SYSTEM ACCURACY VERIFICATION ..... 20  
 SAR SYSTEM VALIDATION DATA ..... 21

**EUT TEST STRATEGY AND METHODOLOGY .....31**  
 TEST POSITIONS FOR DEVICE OPERATING NEXT TO A PERSON’S EAR ..... 31  
 CHEEK/TOUCH POSITION ..... 32  
 EAR/TILT POSITION ..... 32  
 TEST POSITIONS FOR BODY-WORN AND OTHER CONFIGURATIONS ..... 33  
 SAR EVALUATION PROCEDURE ..... 34  
 TEST METHODOLOGY ..... 34

**CONDUCTED OUTPUT POWER MEASUREMENT .....35**  
 PROVISION APPLICABLE ..... 35  
 TEST PROCEDURE ..... 35  
 RADIO CONFIGURATION ..... 35  
 MAXIMUM TARGET OUTPUT POWER ..... 40  
 TEST RESULTS: ..... 41

**SAR MEASUREMENT RESULTS .....55**  
 SAR TEST DATA ..... 55

**SAR MEASUREMENT VARIABILITY .....67**

**SAR SIMULTANEOUS TRANSMISSION DESCRIPTION .....68**

**SAR PLOTS .....74**

**APPENDIX A MEASUREMENT UNCERTAINTY .....75**

**APPENDIX B EUT TEST POSITION PHOTOS .....77**  
 LIQUID DEPTH ≥ 15CM ..... 77  
 BODY(WORN) BACK SETUP PHOTO(10MM) ..... 77  
 BODY LEFT SETUP PHOTO(10MM) ..... 78  
 BODY RIGHT SETUP PHOTO(10MM) ..... 78  
 BODY BOTTOM SETUP PHOTO(10MM) ..... 79  
 HEAD LEFT CHEEK SETUP PHOTO ..... 79  
 HEAD LEFT TILT SETUP PHOTO ..... 80  
 HEAD RIGHT CHEEK SETUP PHOTO ..... 80  
 HEAD RIGHT TILT SETUP PHOTO ..... 81

**APPENDIX C CALIBRATION CERTIFICATES .....82**

---

**DOCUMENT REVISION HISTORY**

---

<b>Revision Number</b>	<b>Report Number</b>	<b>Description of Revision</b>	<b>Date of Revision</b>
0	RSZ161124003-20	Original Report	2017-01-26

## EUT DESCRIPTION

This report has been prepared on behalf of *Sky Phone LLC* and their product *4G Smart Phone*, Model: *ELITE 5.5L+*, FCC ID: 2ABOSSKYELITE55LP or the EUT (Equipment under Test) as referred to in the rest of this report.

*\*All measurement and test data in this report was gathered from production sample serial number: 16112400321 (Assigned by BACL, Kunshan). The EUT supplied by the applicant was received on 2016-11-24.*

## Technical Specification

<b>Device Type:</b>	Portable
<b>Exposure Category:</b>	Population / Uncontrolled
<b>Antenna Type(s):</b>	Internal Antenna
<b>Body-Worn Accessories:</b>	Headset
<b>Face-Head Accessories:</b>	None
<b>Operation Mode :</b>	GSM Voice, GPRS/EDGE Data, WCDMA( R99 (Voice+Data),HSUPA, HSDPA, HSPA+ ) FDD-LTE WLAN Bluetooth
<b>Frequency Band:</b>	GSM 850: 824-849 MHz(TX); 869-894 MHz(RX) PCS 1900: 1850-1910 MHz(TX); 1930-1990 MHz(RX) WCDMA Band 2: 1850-1910 MHz(TX); 1930-1990 MHz(RX) WCDMA Band 4: 1710-1755 MHz(TX); 2110-2155 MHz(RX) WCDMA Band 5: 824-849 MHz(TX); 869-894 MHz(RX) LTE Band 2: 1850-1910 MHz(TX) ; 1930-1990 MHz(RX) LTE Band 4: 1710-1755 MHz(TX) ; 2110-2155 MHz(RX) LTE Band 5: 824-849 MHz(TX) ; 869-894 MHz(RX) LTE Band 7: 2500-2570 MHz(TX) ; 2620-2690 MHz(RX) LTE Band 17: 704-716 MHz(TX) ; 734-746 MHz(RX) WLAN: 2422 -2462 MHz /2412 -2472 MHz Bluetooth : 2402 MHz-2480 MHz
<b>Conducted RF Power:</b>	GSM 850 : 31.66 dBm PCS 1900: 30.48 dBm WCDMA Band 2: 22.82 dBm WCDMA Band 4: 22.78 dBm WCDMA Band 5: 22 dBm LTE Band 2: 23.55 dBm LTE Band 4: 23.54 dBm LTE Band 5: 23.11 dBm LTE Band 7: 23.99 dBm LTE Band 17: 24.77 dBm WLAN: 9.44 dBm Bluetooth(BDR/EDR): 4.79 dBm BLE: -6.78 dBm
<b>Dimensions (L*W*H):</b>	15.5 cm (L) × 7.6 cm (W) × 0.9 cm (H)
<b>Power Source:</b>	3.8 VDC Rechargeable Battery
<b>Normal Operation:</b>	Head and Body-worn

---

## REFERENCE, STANDARDS, AND GUIDELINES

---

### **FCC:**

The Report and Order requires routine SAR evaluation prior to equipment authorization of portable transmitter devices, including portable telephones. For consumer products, the applicable limit is 1.6 mW/g as recommended by the ANSI/IEEE standard C95.1-1992 [6] for an uncontrolled environment (Paragraph 65). According to the Supplement C of OET Bulletin 65 "Evaluating Compliance with FCC Guide-lines for Human Exposure to Radio frequency Electromagnetic Fields", released on Jun 29, 2001 by the FCC, the device should be evaluated at maximum output power (radiated from the antenna) under "worst-case" conditions for normal or intended use, incorporating normal antenna operating positions, device peak performance frequencies and positions for maximum RF energy coupling.

This report describes the methodology and results of experiments performed on wireless data terminal. The objective was to determine if there is RF radiation and if radiation is found, what is the extent of radiation with respect to safety limits. SAR (Specific Absorption Rate) is the measure of RF exposure determined by the amount of RF energy absorbed by human body (or its parts) – to determine how the RF energy couples to the body or head which is a primary health concern for body worn devices. The limit below which the exposure to RF is considered safe by regulatory bodies in North America is 1.6 mW/g average over 1 gram of tissue mass.

### **CE:**

The order requires routine SAR evaluation prior to equipment authorization of portable transmitter devices, including portable telephones. For consumer products, the applicable limit is 2 mW/g as recommended by EN62209-1 for an uncontrolled environment. According to the Standard, the device should be evaluated at maximum output power (radiated from the antenna) under "worst-case" conditions for normal or intended use, incorporating normal antenna operating positions, device peak performance frequencies and positions for maximum RF energy coupling.

This report describes the methodology and results of experiments performed on wireless data terminal. The objective was to determine if there is RF radiation and if radiation is found, what is the extent of radiation with respect to safety limits. SAR (Specific Absorption Rate) is the measure of RF exposure determined by the amount of RF energy absorbed by human body (or its parts) – to determine how the RF energy couples to the body or head which is a primary health concern for body worn devices. The limit below which the exposure to RF is considered safe by regulatory bodies in Europe is 2 mW/g average over 10 gram of tissue mass.

The test configurations were laid out on a specially designed test fixture to ensure the reproducibility of measurements. Each configuration was scanned for SAR. Analysis of each scan was carried out to characterize the above effects in the device.

**SAR Limits**

**FCC Limit**

EXPOSURE LIMITS	SAR (W/kg)	
	(General Population / Uncontrolled Exposure Environment)	(Occupational / Controlled Exposure Environment)
Spatial Average (averaged over the whole body)	0.08	0.4
Spatial Peak (averaged over any 1 g of tissue)	1.60	8.0
Spatial Peak (hands/wrists/feet/ankles averaged over 10 g)	4.0	20.0

**CE Limit**

EXPOSURE LIMITS	SAR (W/kg)	
	(General Population / Uncontrolled Exposure Environment)	(Occupational / Controlled Exposure Environment)
Spatial Average (averaged over the whole body)	0.08	0.4
Spatial Peak (averaged over any 10 g of tissue)	2.0	10
Spatial Peak (hands/wrists/feet/ankles averaged over 10 g)	4.0	20.0

Population/Uncontrolled Environments are defined as locations where there is the exposure of individual who have no knowledge or control of their exposure.

Occupational/Controlled Environments are defined as locations where there is exposure that may be incurred by people who are aware of the potential for exposure (i.e. as a result of employment or occupation).

General Population/Uncontrolled environments Spatial Peak limit 1.6W/kg (FCC) & 2 W/kg (CE) applied to the EUT.



## **FACILITIES**

---

The test site used by Bay Area Compliance Laboratories Corp. (Kunshan) to collect test data is located on No.248 Chenghu Road,Kunshan, Jiangsu province,China.

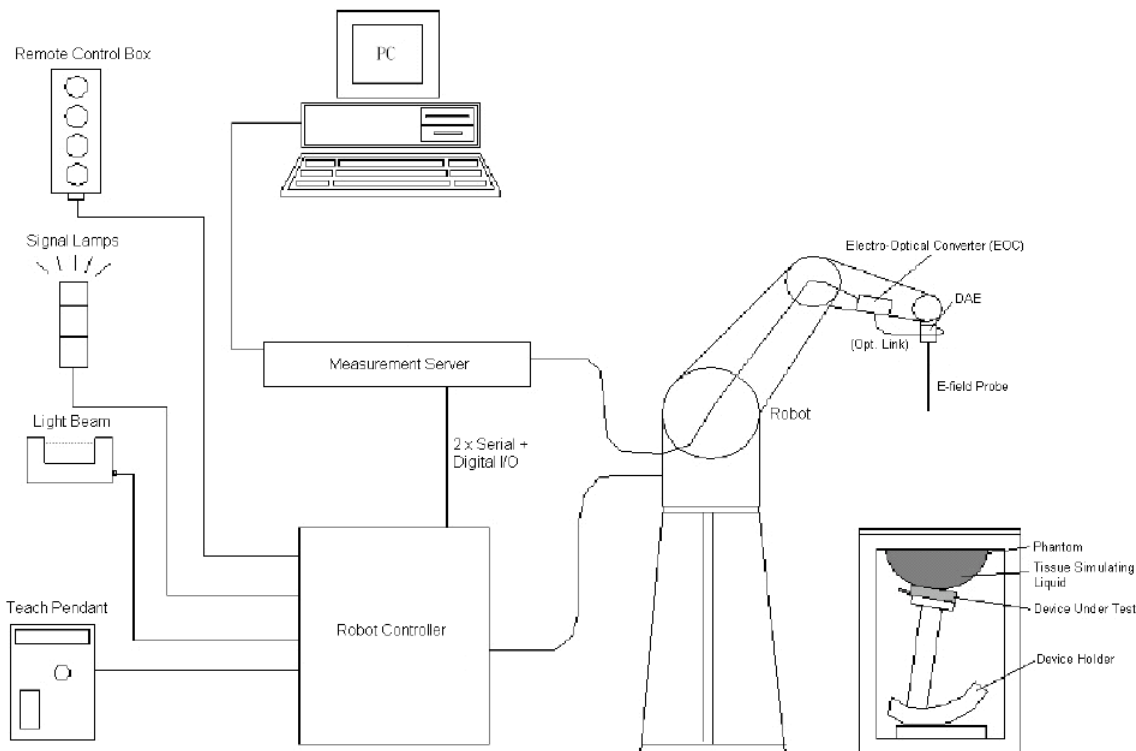
## DESCRIPTION OF TEST SYSTEM

These measurements were performed with the automated near-field scanning system DASY5 from Schmid & Partner Engineering AG (SPEAG) which is the Fifth generation of the system shown in the figure hereinafter:



### DASY5 System Description

The DASY5 system for performing compliance tests consists of the following items:



- A standard high precision 6-axis robot (Staubli TX=RX family) with controller, teach pendant and software. An arm extension for accommodating the data acquisition electronics (DAE).
- An isotropic field probe optimized and calibrated for the targeted measurement.
- A data acquisition electronics (DAE) which performs the signal application, signal multiplexing, AD-conversion, offset measurements, mechanical surface detection, collision detection, etc. The unit is battery powered with standard or rechargeable batteries. The signal is optically transmitted to the EOC.
- The Electro-optical converter (EOC) performs the conversion from optical to electrical signals for the digital communication to the DAE. To use optical surface detection, a special version of the EOC is required. The EOC signal is transmitted to the measurement server.
- The function of the measurement server is to perform the time critical tasks such as signal filtering, control of the robot operation and fast movement interrupts.
- The Light Beam used is for probe alignment. This improves the (absolute) accuracy of the probe positioning.
- A computer running Win7 professional operating system and the DASY52 software.
- Remote control and teach pendant as well as additional circuitry for robot safety such as warning lamps, etc.
- The phantom, the device holder and other accessories according to the targeted measurement.

### **DASY5 Measurement Server**

The DASY5 measurement server is based on a PC/104 CPU board with a 400MHz Intel ULV Celeron, 128MB chip-disk and 128MB RAM. The necessary circuits for communication with the DAE4 (or DAE3) electronics box, as well as the 16 bit AD-converter system for optical detection and digital I/O interface are contained on the DASY5 I/O board, which is directly connected to the PC/104 bus of the CPU board.



The measurement server performs all real-time data evaluation of field measurements and surface detection, controls robot movements and handles safety operation. The PC operating system cannot interfere with these time critical processes. All connections are supervised by a watchdog, and disconnection of any of the cables to the measurement server will automatically disarm the robot and disable all program-controlled robot movements. Furthermore, the measurement server is equipped with an expansion port which is reserved for future applications. Please note that this expansion port does not have a standardized point out, and therefore only devices provided by SPEAG can be connected. Devices from any other supplier could seriously damage the measurement server.

### **Data Acquisition Electronics**

The data acquisition electronics (DAE4) consist of a highly sensitive electrometer-grade preamplifier with auto-zeroing, a channel and gain-switching multiplexer, a fast 16 bit AD-converter and a command decoder with a control logic unit. Transmission to the measurement server is accomplished through an optical downlink for data and status information, as well as an optical uplink for commands and the clock.

The mechanical probe mounting device includes two different sensor systems for frontal and sideways probe contacts. They are used for mechanical surface detection and probe collision detection.

The input impedance of both the DAE4 as well as of the DAE3 box is 200M $\Omega$ ; the inputs are symmetrical and floating. Common mode rejection is above 80 dB.

**EX3DV4 E-Field Probes**

<b>Frequency</b>	10 MHz to > 6 GHz Linearity: ± 0.2 dB (30 MHz to 6 GHz)
<b>Directivity</b>	± 0.3 dB in TSL (rotation around probe axis) ± 0.5 dB in TSL (rotation normal to probe axis)
<b>Dynamic Range</b>	10 µW/g to > 100 mW/g Linearity: ± 0.2 dB (noise: typically < 1 µW/g)
<b>Dimensions</b>	Overall length: 337 mm (Tip: 20 mm) Tip diameter: 2.5 mm (Body: 12 mm) Typical distance from probe tip to dipole centers: 1 mm
<b>Application</b>	High precision dosimetric measurements in any exposure scenario (e.g., very strong gradient fields); the only probe that enables compliance testing for frequencies up to 6 GHz with precision of better 30%.
<b>Compatibility</b>	DASY3, DASY4, DASY52 SAR and higher, EASY4/MRI

**SAM Twin Phantom**

The SAM twin phantom is a fiberglass shell phantom with 2mm shell thickness (except the ear region, where shell thickness

increases to 6 mm). The phantom has three measurement areas:

- \_ Left hand
- \_ Right hand
- \_ Flat phantom

The phantom table for the DASY systems based on the TX90XL and RX160L robots have the size of 100 x 50 x 85 cm (L x W x H).

The phantom table for the compact DASY systems based on the RX60L robot have the size of 100 x 75 x 91 cm (L x W x H); these tables are reinforced for mounting of the robot onto the table.

For easy dislocation these tables have fork lift cut outs at the bottom.

The bottom plate contains three pairs of bolts for locking the device holder. The device holder positions are adjusted to the standard measurement positions in the three sections. Only one device holder is necessary if two phantoms are used (e.g., for different liquids)

A white cover is provided to cover the phantom during off-periods to prevent water evaporation and changes in the liquid parameters. Free space scans of devices on top of this phantom cover are possible. Three reference marks are provided on the phantom counter. These reference marks are used to teach the absolute phantom position relative to the robot.



## Robots

The DASY5 system uses the high precision industrial robots TX90XL from Staubli SA (France). The TX robot family is the successor of the well known RX robot family and offers the same features important for our application:

- High precision (repeatability 0.02mm)
- High reliability (industrial design)
- Low maintenance costs (virtually maintenance free due to direct drive gears; no belt drives)
- Jerk-free straight movements (brushless synchrony motors; no stepper motors)
- Low ELF interference (motor control fields shielded via the closed metallic construction shields)

The above mentioned robots are controlled by the Staubli CS8c robot controllers. All information regarding the use and maintenance of the robot arm and the robot controller is contained on the CDs delivered along with the robot. Paper manuals are available upon request direct from Staubli.

## Area Scans

Area scans are defined prior to the measurement process being executed with a user defined variable spacing between each measurement point (integral) allowing low uncertainty measurements to be conducted. Scans defined for FCC applications utilize a 15mm 2 step integral, with 1.5mm interpolation used to locate the peak SAR area used for zoom scan assessments.

Where the system identifies multiple SAR peaks (which are within 25% of peak value) the system will provide the user with the option of assessing each peak location individually for zoom scan averaging.

## Zoom Scan (Cube Scan Averaging)

The averaging zoom scan volume utilized in the DASY5 software is in the shape of a cube and the side dimension of a 1 g or 10 g mass is dependent on the density of the liquid representing the simulated tissue. A density of 1000 kg/m<sup>3</sup> is used to represent the head and body tissue density and not the phantom liquid density, in order to be consistent with the definition of the liquid dielectric properties, i.e. the side length of the 1g cube is 10mm, with the side length of the 10g cube is 21.5mm.

When the cube intersects with the surface of the phantom, it is oriented so that 3 vertices touch the surface of the shell or the center of a face is tangent to the surface. The face of the cube closest to the surface is modified in order to conform to the tangent surface.

The zoom scan integer steps can be user defined so as to reduce uncertainty, but normal practice for typical test applications (including FCC) utilize a physical step of 7 x 7 x 7 (5mmx5mmx5mm) providing a volume of 30 mm in the X & Y & Z axis.

### Tissue Dielectric Parameters for Head and Body Phantoms

The head tissue dielectric parameters recommended by the IEEE SCC-34/SC-2 in P1528 have been incorporated in the following table. These head parameters are derived from planar layer models simulating the highest expected SAR for the dielectric properties and tissue thickness variations in a human head. Other head and body tissue parameters that have not been specified in P1528 are derived from the tissue dielectric parameters computed from the 4-Cole-Cole equations described in Reference [12] and extrapolated according to the head parameters specified in P1528.

#### Recommended Tissue Dielectric Parameters for Head and Body

Frequency (MHz)	Head Tissue		Body Tissue	
	$\epsilon_r$	$\sigma$ (S/m)	$\epsilon_r$	$\sigma$ (S/m)
150	52.3	0.76	61.9	0.80
300	45.3	0.87	58.2	0.92
450	43.5	0.87	56.7	0.94
835	41.5	0.90	55.2	0.97
900	41.5	0.97	55.0	1.05
915	41.5	0.98	55.0	1.06
1450	40.5	1.20	54.0	1.30
1610	40.3	1.29	53.8	1.40
1800-2000	40.0	1.40	53.3	1.52
2450	39.2	1.80	52.7	1.95
3000	38.5	2.40	52.0	2.73
5800	35.3	5.27	48.2	6.00

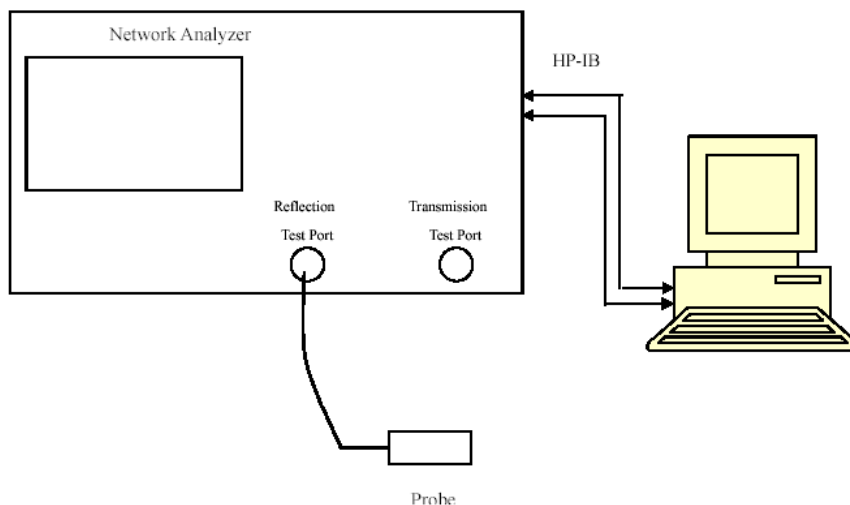
## EQUIPMENT LIST AND CALIBRATION

### Equipments List & Calibration Information

Equipment	Model	S/N	Calibration Date	Calibration Due Date
Robot	RX90	D03688	N/A	N/A
DASY5 Test Software	DASY52.8	N/A	N/A	N/A
DASY5 Measurement Server	DASY5 4.5.12	1567	N/A	N/A
Data Acquisition Electronics	DAE3	379	2016/10/04	2017/10/3
E-Field Probe	EX3DV4	7431	2016/10/04	2017/10/03
Dipole, 750MHz	D750V3	1167	2016/11/08	2019/11/07
Dipole, 835 MHz	D835V2	453	2015/08/17	2018/08/16
Dipole, 1750 MHz	D1750V2	1140	2015/07/09	2018/07/08
Dipole, 1900 MHz	D1900V2	5d206	2015/07/14	2018/07/13
Dipole, 2600 MHz	D2600V2	1132	2016/11/10	2019/11/09
R&S, universal Radio Communication Tester	CMU200	110605	2016/11/25	2017/11/24
Wideband Radio Communication Tester	CMW500	1201.002K50-116218-UY	2016/10/8	2017/10/7
Mounting Device	MD4HHTV5	BJPCTC0152	N/A	N/A
Twin SAM	Twin SAM V5.0	1412	N/A	N/A
Triple Flat Phantom 5.1C	QD 000 P51 CA	1130	N/A	N/A
Simulated Tissue 750 MHz Head	TS-750-H	1610075001	Each Time	/
Simulated Tissue 750 MHz Body	TS-750-B	1610075002	Each Time	/
Simulated Tissue 835 MHz Head	TS-835-H	1610083501	Each Time	/
Simulated Tissue 835 MHz Body	TS-835-B	1610083502	Each Time	/
Simulated Tissue 1750 MHz Head	TS-1750-H	1610175001	Each Time	/
Simulated Tissue 1750 MHz Body	TS-1750-B	1610175002	Each Time	/
Simulated Tissue 1900 MHz Head	TS-1900-H	1610190001	Each Time	/
Simulated Tissue 1900 MHz Body	TS-1900-B	1610190002	Each Time	/
Simulated Tissue 2600 MHz Head	TS-2600-H	1610260001	Each Time	/
Simulated Tissue 2600 MHz Body	TS-2600-B	1610260002	Each Time	/
Network Analyzer	8753B	2625A00809	2016/10/6	2017/10/5
S-Parameter Test Set	85047A	3033A02428	2016/10/6	2017/10/5
Dielectric probe kit	85070B	US33020324	2016/6/13	2017/6/12
Signal Generator	SMBV100A	261558	2016/7/4	2017/7/4
Power Meter	E4419B	MY41291878	2017/1/7	2018/1/6
Power Meter Sensor	8481A	2702A68993	2016/5/30	2017/5/29
Power Amplifier	10S1G4M1	18060	N/A	N/A
Directional Coupler	488Z	N/A	N/A	N/A
Attenuator	20dB, 100W	N/A	N/A	N/A
Attenuator	3dB, 150W	N/A	N/A	N/A

# SAR MEASUREMENT SYSTEM VERIFICATION

## Liquid Verification



Liquid Verification Setup Block Diagram

## Liquid Verification Results

Frequency (MHz)	Liquid Type	Liquid Parameter		Target Value		Delta (%)		Tolerance (%)
		$\epsilon_r$	$\sigma$ (S/m)	$\epsilon_r$	$\sigma$ (S/m)	$\Delta\epsilon_r$	$\Delta\sigma$ (S/m)	
1850.2	Simulated Tissue 1900 MHz Body	52.898	1.513	53.3	1.52	-0.754	-0.461	±5
1852.4	Simulated Tissue 1900 MHz Body	52.904	1.53	53.3	1.52	-0.743	0.658	±5
1860	Simulated Tissue 1900 MHz Body	52.839	1.529	53.3	1.52	-0.865	0.592	±5
1880	Simulated Tissue 1900 MHz Body	52.784	1.539	53.3	1.52	-0.968	1.25	±5
1900	Simulated Tissue 1900 MHz Body	52.753	1.544	53.3	1.52	-1.026	1.579	±5
1907.6	Simulated Tissue 1900 MHz Body	52.697	1.563	53.3	1.52	-1.131	2.829	±5
1909.8	Simulated Tissue 1900 MHz Body	52.696	1.559	53.3	1.52	-1.133	2.566	±5

\*Liquid Verification above was performed on 2017/01/24.

Frequency (MHz)	Liquid Type	Liquid Parameter		Target Value		Delta (%)		Tolerance (%)
		$\epsilon_r$	$\sigma$ (S/m)	$\epsilon_r$	$\sigma$ (S/m)	$\Delta\epsilon_r$	$\Delta\sigma$ (S/m)	
2510	Simulated Tissue 2600 MHz Head	38.58	1.938	39.1	1.87	-1.33	3.636	±5
2535	Simulated Tissue 2600 MHz Head	38.432	1.957	39.1	1.89	-1.708	3.545	±5
2560	Simulated Tissue 2600 MHz Head	38.244	2.008	39.1	1.92	-2.189	4.583	±5
2600	Simulated Tissue 2600 MHz Head	37.809	2.057	39	1.96	-3.054	4.949	±5

\*Liquid Verification above was performed on 2017/01/23.



Frequency (MHz)	Liquid Type	Liquid Parameter		Target Value		Delta (%)		Tolerance (%)
		$\epsilon_r$	$\sigma$ (S/m)	$\epsilon_r$	$\sigma$ (S/m)	$\Delta\epsilon_r$	$\Delta\sigma$ (S/m)	
2510	Simulated Tissue 2600 MHz Body	51.82	2.071	52.6	2.04	-1.483	1.52	±5
2535	Simulated Tissue 2600 MHz Body	51.69	2.147	52.6	2.07	-1.73	3.72	±5
2560	Simulated Tissue 2600 MHz Body	51.47	2.156	52.6	2.11	-2.148	2.18	±5
2600	Simulated Tissue 2600 MHz Body	50.991	2.255	52.5	2.16	-2.874	4.398	±5

\*Liquid Verification above was performed on 2017/01/23.

Frequency (MHz)	Liquid Type	Liquid Parameter		Target Value		Delta (%)		Tolerance (%)
		$\epsilon_r$	$\sigma$ (S/m)	$\epsilon_r$	$\sigma$ (S/m)	$\Delta\epsilon_r$	$\Delta\sigma$ (S/m)	
709	Simulated Tissue 750 MHz Head	41.357	0.908	42.2	0.89	-1.998	2.022	±5
710	Simulated Tissue 750 MHz Head	41.339	0.908	42.1	0.89	-1.808	2.022	±5
711	Simulated Tissue 750 MHz Head	41.328	0.919	42.1	0.89	-1.834	3.258	±5
750	Simulated Tissue 750 MHz Head	40.868	0.915	41.9	0.89	-2.463	2.809	±5

\*Liquid Verification above was performed on 2017/01/26.

Frequency (MHz)	Liquid Type	Liquid Parameter		Target Value		Delta (%)		Tolerance (%)
		$\epsilon_r$	$\sigma$ (S/m)	$\epsilon_r$	$\sigma$ (S/m)	$\Delta\epsilon_r$	$\Delta\sigma$ (S/m)	
709	Simulated Tissue 750 MHz Body	54.615	0.948	55.7	0.96	-1.948	-1.25	±5
710	Simulated Tissue 750 MHz Body	54.485	0.957	55.7	0.96	-2.181	-0.313	±5
711	Simulated Tissue 750 MHz Body	54.25	0.963	55.7	0.96	-2.603	0.313	±5
750	Simulated Tissue 750 MHz Body	53.531	0.978	55.5	0.96	-3.548	1.875	±5

\*Liquid Verification above was performed on 2017/01/26.

Frequency (MHz)	Liquid Type	Liquid Parameter		Target Value		Delta (%)		Tolerance (%)
		$\epsilon_r$	$\sigma$ (S/m)	$\epsilon_r$	$\sigma$ (S/m)	$\Delta\epsilon_r$	$\Delta\sigma$ (S/m)	
1712.4	Simulated Tissue 1750 MHz Body	53.523	1.501	53.43	1.49	0.174	0.738	±5
1720	Simulated Tissue 1750 MHz Body	53.454	1.514	53.43	1.49	0.045	1.611	±5
1732.5	Simulated Tissue 1750 MHz Body	53.443	1.513	53.43	1.49	0.024	1.544	±5
1732.6	Simulated Tissue 1750 MHz Body	53.452	1.523	53.43	1.49	0.041	2.215	±5
1745	Simulated Tissue 1750 MHz Body	53.334	1.518	53.43	1.49	-0.18	1.879	±5
1750	Simulated Tissue 1750 MHz Body	53.297	1.549	53.43	1.49	-0.249	3.96	±5
1752.6	Simulated Tissue 1750 MHz Body	53.281	1.542	53.43	1.49	-0.279	3.49	±5

\*Liquid Verification above was performed on 2017/01/23.

Frequency (MHz)	Liquid Type	Liquid Parameter		Target Value		Delta (%)		Tolerance (%)
		$\epsilon_r$	$\sigma$ (S/m)	$\epsilon_r$	$\sigma$ (S/m)	$\Delta\epsilon_r$	$\Delta\sigma$ (S/m)	
1850.2	Simulated Tissue 1900 MHz Head	41.024	1.375	40	1.4	2.56	-1.786	±5
1852.4	Simulated Tissue 1900 MHz Head	41.026	1.388	40	1.4	2.565	-0.857	±5
1860	Simulated Tissue 1900 MHz Head	40.986	1.399	40	1.4	2.465	-0.071	±5
1880	Simulated Tissue 1900 MHz Head	40.891	1.397	40	1.4	2.228	-0.214	±5
1900	Simulated Tissue 1900 MHz Head	40.789	1.431	40	1.4	1.973	2.214	±5
1907.6	Simulated Tissue 1900 MHz Head	40.758	1.432	40	1.4	1.895	2.286	±5
1909.8	Simulated Tissue 1900 MHz Head	40.737	1.43	40	1.4	1.843	2.143	±5

\*Liquid Verification above was performed on 2017/01/24.

Frequency (MHz)	Liquid Type	Liquid Parameter		Target Value		Delta (%)		Tolerance (%)
		$\epsilon_r$	$\sigma$ (S/m)	$\epsilon_r$	$\sigma$ (S/m)	$\Delta\epsilon_r$	$\Delta\sigma$ (S/m)	
824.2	Simulated Tissue 835 MHz Body	54.634	0.969	55.2	0.97	-1.025	-0.103	±5
826.4	Simulated Tissue 835 MHz Body	54.573	0.996	55.2	0.97	-1.136	2.68	±5
829	Simulated Tissue 835 MHz Body	54.598	0.988	55.2	0.97	-1.091	1.856	±5
835	Simulated Tissue 835 MHz Body	54.591	0.995	55.2	0.97	-1.103	2.577	±5
836.5	Simulated Tissue 835 MHz Body	54.47	0.994	55.2	0.97	-1.322	2.474	±5
836.6	Simulated Tissue 835 MHz Body	54.605	1.002	55.2	0.97	-1.078	3.299	±5
844	Simulated Tissue 835 MHz Body	54.588	0.995	55.2	0.97	-1.109	2.577	±5
846.6	Simulated Tissue 835 MHz Body	54.465	1.003	55.2	0.97	-1.332	3.402	±5
848.8	Simulated Tissue 835 MHz Body	54.419	0.998	55.2	0.97	-1.415	2.887	±5

\*Liquid Verification above was performed on 2017/01/25.

Frequency (MHz)	Liquid Type	Liquid Parameter		Target Value		Delta (%)		Tolerance (%)
		$\epsilon_r$	$\sigma$ (S/m)	$\epsilon_r$	$\sigma$ (S/m)	$\Delta\epsilon_r$	$\Delta\sigma$ (S/m)	
1712.4	Simulated Tissue 1750 MHz Head	40.461	1.396	40.8	1.37	-0.831	1.898	±5
1720	Simulated Tissue 1750 MHz Head	40.443	1.389	40.8	1.37	-0.875	1.387	±5
1732.5	Simulated Tissue 1750 MHz Head	40.451	1.403	40.8	1.37	-0.855	2.409	±5
1732.6	Simulated Tissue 1750 MHz Head	40.434	1.396	40.8	1.37	-0.897	1.898	±5
1745	Simulated Tissue 1750 MHz Head	40.421	1.407	40.8	1.37	-0.929	2.701	±5
1750	Simulated Tissue 1750 MHz Head	40.399	1.432	40.8	1.37	-0.983	4.526	±5
1752.6	Simulated Tissue 1750 MHz Head	40.316	1.43	40.8	1.37	-1.186	4.38	±5

\*Liquid Verification above was performed on 2017/01/23.

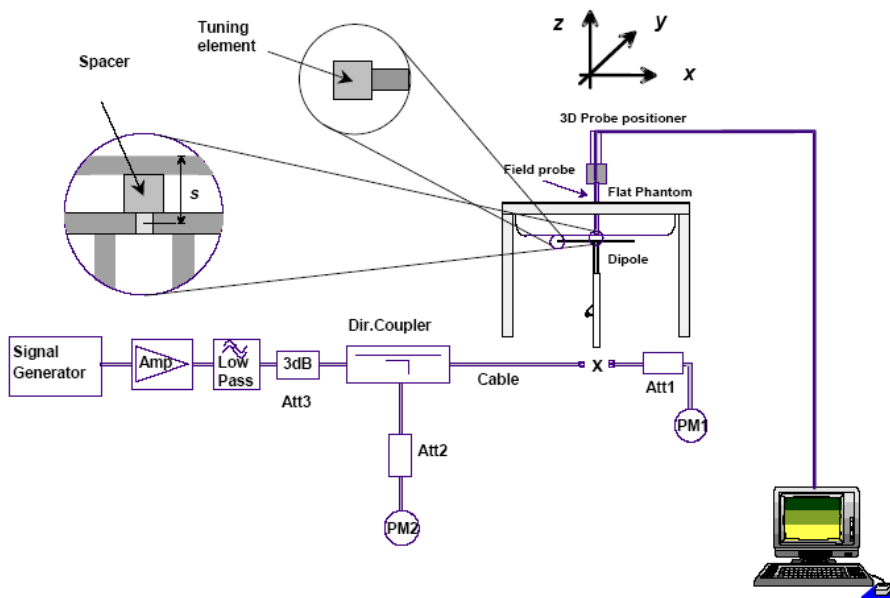
Frequency (MHz)	Liquid Type	Liquid Parameter		Target Value		Delta (%)		Tolerance (%)
		$\epsilon_r$	$\sigma$ (S/m)	$\epsilon_r$	$\sigma$ (S/m)	$\Delta\epsilon_r$	$\Delta\sigma$ (S/m)	
824.2	Simulated Tissue 835 MHz Head	42.492	0.881	41.5	0.9	2.39	-2.111	±5
826.4	Simulated Tissue 835 MHz Head	42.479	0.89	41.5	0.9	2.359	-1.111	±5
829	Simulated Tissue 835 MHz Head	42.504	0.891	41.5	0.9	2.419	-1	±5
835	Simulated Tissue 835 MHz Head	42.465	0.88	41.5	0.9	2.325	-2.222	±5
836.5	Simulated Tissue 835 MHz Head	42.392	0.896	41.5	0.9	2.149	-0.444	±5
836.6	Simulated Tissue 835 MHz Head	42.5	0.868	41.5	0.9	2.41	-3.556	±5
844	Simulated Tissue 835 MHz Head	42.465	0.907	41.5	0.9	2.325	0.778	±5
846.6	Simulated Tissue 835 MHz Head	42.376	0.9	41.5	0.9	2.111	0	±5
848.8	Simulated Tissue 835 MHz Head	42.278	0.895	41.5	0.9	1.875	-0.556	±5

\*Liquid Verification above was performed on 2017/01/25.

### System Accuracy Verification

Prior to the assessment, the system validation kit was used to test whether the system was operating within its specifications of  $\pm 10\%$ . The validation results are tabulated below. And also the corresponding SAR plot is attached as well in the SAR plots files.

### System Verification Setup Block Diagram



### System Accuracy Check Results

Date	Frequency Band	Liquid Type	Measured SAR (W/Kg)	Target Value(W/Kg)	Delta (%)	Tolerance (%)
2017/01/26	750	750MHz Head	1g 8.46	8.23	2.79	$\pm 10$
2017/01/26	750	750MHz Body	1g 8.63	8.58	0.58	$\pm 10$
2017/01/25	835	835MHz Head	1g 9.37	9.43	-0.64	$\pm 10$
2017/01/25	835	835MHz Body	1g 9.64	9.55	0.94	$\pm 10$
2017/01/26	1750	1750MHz Head	1g 38.8	36.8	5.43	$\pm 10$
2017/01/23	1750	1750MHz Body	1g 38.1	37.2	2.42	$\pm 10$
2017/01/24	1900	1900MHz Head	1g 41.1	40.7	0.98	$\pm 10$
2017/01/24	1900	1900MHz Body	1g 41.9	40.8	2.70	$\pm 10$
2017/01/23	2600	2600MHz Head	1g 58.8	56.1	4.81	$\pm 10$
2017/01/23	2600	2600MHz Body	1g 57	53.9	5.75	$\pm 10$

**SAR SYSTEM VALIDATION DATA**

**Test Laboratory: Bay Area Compliance Labs Corp.(Kunshan)**

**System Performance 750 MHz Head**

**DUT: D750V3; Type: 750 MHz; Serial: 1167**

Communication System: CW; Frequency: 750 MHz; Duty Cycle: 1:1

Medium parameters used:  $f = 750 \text{ MHz}$ ;  $\sigma = 0.915 \text{ S/m}$ ;  $\epsilon_r = 40.868$ ;  $\rho = 1000 \text{ kg/m}^3$

Phantom section: Flat Section

DASY5 Configuration:

- Probe: EX3DV4 - SN7431; ConvF(10.38, 10.38, 10.38); Calibrated: 2016/10/4;
- Sensor-Surface: 4mm (Mechanical Surface Detection)
- Electronics: DAE3 Sn379; Calibrated: 2016/10/4
- Phantom: SAM 1; Type: QD000P40CC; Serial: TP:1412
- Measurement SW: DASY52, Version 52.8 (8);

**System Performance 750 MHz Head /Area Scan (61x101x1):** Interpolated grid:  $dx=1.500 \text{ mm}$ ,  $dy=1.500 \text{ mm}$   
 Maximum value of SAR (interpolated) = 9.52 W/kg

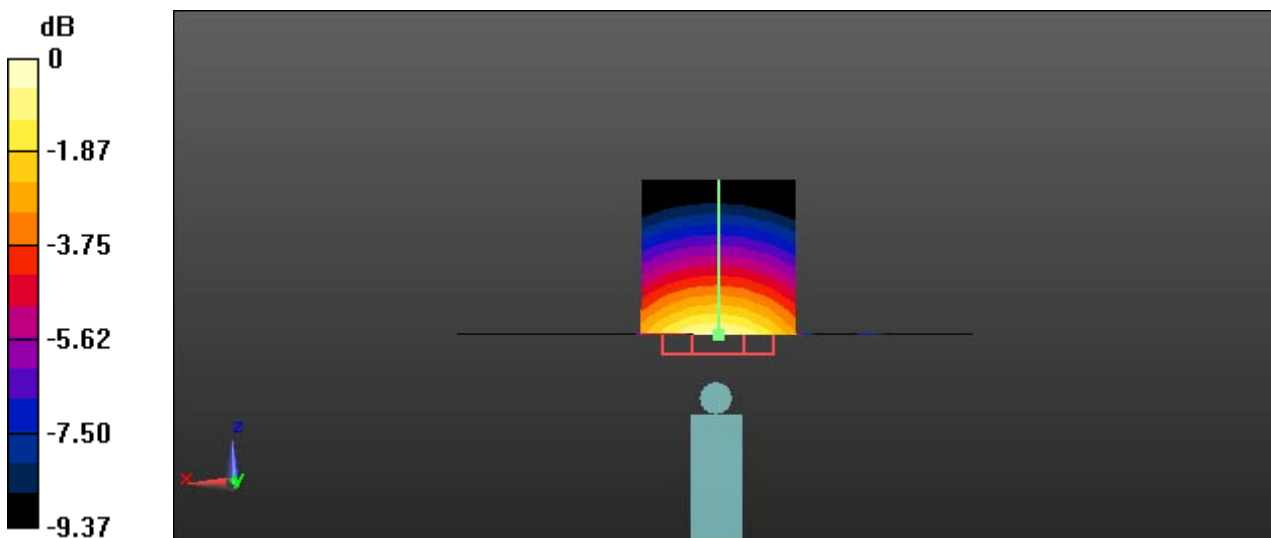
**System Performance 750 MHz Head /Zoom Scan (7x7x7)/Cube 0:** Measurement grid:  $dx=5\text{mm}$ ,  $dy=5\text{mm}$ ,  $dz=5\text{mm}$

Reference Value = 97.36 V/m; Power Drift = 0.11 dB

Peak SAR (extrapolated) = 13.6 W/kg

**SAR(1 g) = 8.46 W/kg; SAR(10 g) = 5.49 W/kg**

Maximum value of SAR (measured) = 9.41 W/kg



0 dB = 9.41 W/kg = 9.74 dBW/kg

**Test Laboratory: Bay Area Compliance Labs Corp.(Kunshan)**

**System Performance 750 MHz Body**

**DUT: D750V3; Type: 750 MHz; Serial: 1167**

Communication System: CW; Frequency: 750 MHz; Duty Cycle: 1:1

Medium parameters used:  $f = 750 \text{ MHz}$ ;  $\sigma = 0.978 \text{ S/m}$ ;  $\epsilon_r = 53.531$ ;  $\rho = 1000 \text{ kg/m}^3$

Phantom section: Right Section

DASY5 Configuration:

- Probe: EX3DV4 - SN7431; ConvF(10.15, 10.15, 10.15); Calibrated: 2016/10/4;
- Sensor-Surface: 4mm (Mechanical Surface Detection)
- Electronics: DAE3 Sn379; Calibrated: 2016/10/4
- Phantom: Triple Flat Phantom 5.1C; Type: QD 000 P51 CA; Serial: 1130
- Measurement SW: DASY52, Version 52.8 (8);

**System Performance 750 MHz Body/Area Scan (61x101x1):** Interpolated grid:  $dx=1.500 \text{ mm}$ ,  $dy=1.500 \text{ mm}$

Maximum value of SAR (interpolated) = 9.62 W/kg

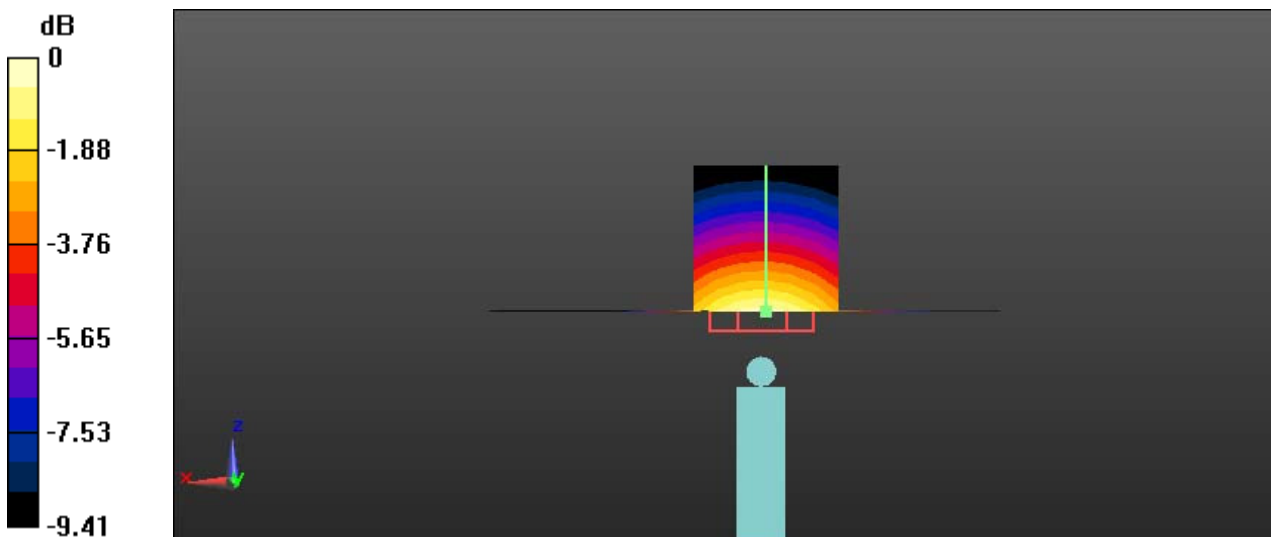
**System Performance 750 MHz Body/Zoom Scan (7x7x7)/Cube 0:** Measurement grid:  $dx=5\text{mm}$ ,  $dy=5\text{mm}$ ,  $dz=5\text{mm}$

Reference Value = 97.66 V/m; Power Drift = 0.06 dB

Peak SAR (extrapolated) = 13.8 W/kg

**SAR(1 g) = 8.63 W/kg; SAR(10 g) = 5.68 W/kg**

Maximum value of SAR (measured) = 9.54 W/kg



0 dB = 9.54 W/kg = 9.80 dBW/kg

**Test Laboratory: Bay Area Compliance Labs Corp.(Kunshan)**

**System Performance 835 MHz Head**

**DUT: D835V2; Type: 835 MHz; Serial: 453**

Communication System: CW; Frequency: 835 MHz; Duty Cycle: 1:1  
 Medium parameters used:  $f = 835 \text{ MHz}$ ;  $\sigma = 0.88 \text{ S/m}$ ;  $\epsilon_r = 42.465$ ;  $\rho = 1000 \text{ kg/m}^3$   
 Phantom section: Flat Section

DASY5 Configuration:

- Probe: EX3DV4 - SN7431; ConvF(9.84, 9.84, 9.84); Calibrated: 2016/10/4;
- Sensor-Surface: 4mm (Mechanical Surface Detection)
- Electronics: DAE3 Sn379; Calibrated: 2016/10/4
- Phantom: SAM 1; Type: QD000P40CC; Serial: TP:1412
- Measurement SW: DASY52, Version 52.8 (8);

**System Performance 835 MHz Head /Area Scan (61x101x1):** Interpolated grid:  $dx=1.500 \text{ mm}$ ,  $dy=1.500 \text{ mm}$   
 Maximum value of SAR (interpolated) = 10.8 W/kg

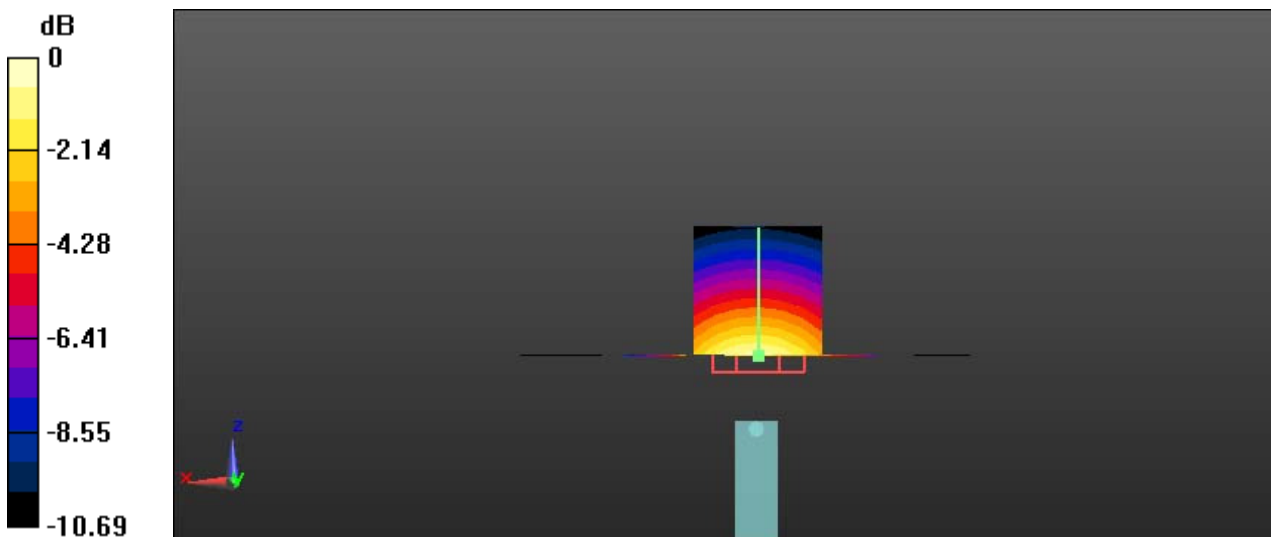
**System Performance 835 MHz Head /Zoom Scan (7x7x7)/Cube 0:** Measurement grid:  $dx=5\text{mm}$ ,  $dy=5\text{mm}$ ,  
 $dz=5\text{mm}$

Reference Value = 100.4 V/m; Power Drift = 0.03 dB

Peak SAR (extrapolated) = 14.6 W/kg

**SAR(1 g) = 9.37 W/kg; SAR(10 g) = 6.1 W/kg**

Maximum value of SAR (measured) = 10.4 W/kg



0 dB = 10.4 W/kg = 10.17 dBW/kg

**Test Laboratory: Bay Area Compliance Labs Corp.(Kunshan)**

**System Performance 835 MHz Body**

**D UT: D835V2; Type: 835 MHz; Serial: 453**

Communication System: CW; Frequency: 835 MHz; Duty Cycle: 1:1

Medium parameters used:  $f = 835 \text{ MHz}$ ;  $\sigma = 0.995 \text{ S/m}$ ;  $\epsilon_r = 54.591$ ;  $\rho = 1000 \text{ kg/m}^3$

Phantom section: Right Section

DASY5 Configuration:

- Probe: EX3DV4 - SN7431; ConvF(9.89, 9.89, 9.89); Calibrated: 2016/10/4;
- Sensor-Surface: 4mm (Mechanical Surface Detection)
- Electronics: DAE3 Sn379; Calibrated: 2016/10/4
- Phantom: Triple Flat Phantom 5.1C; Type: QD 000 P51 CA; Serial: 1130
- Measurement SW: DASY52, Version 52.8 (8);

**System Performance 835 MHz Body /Area Scan (61x101x1):** Interpolated grid:  $dx=1.500 \text{ mm}$ ,  $dy=1.500 \text{ mm}$

Maximum value of SAR (interpolated) = 11.4 W/kg

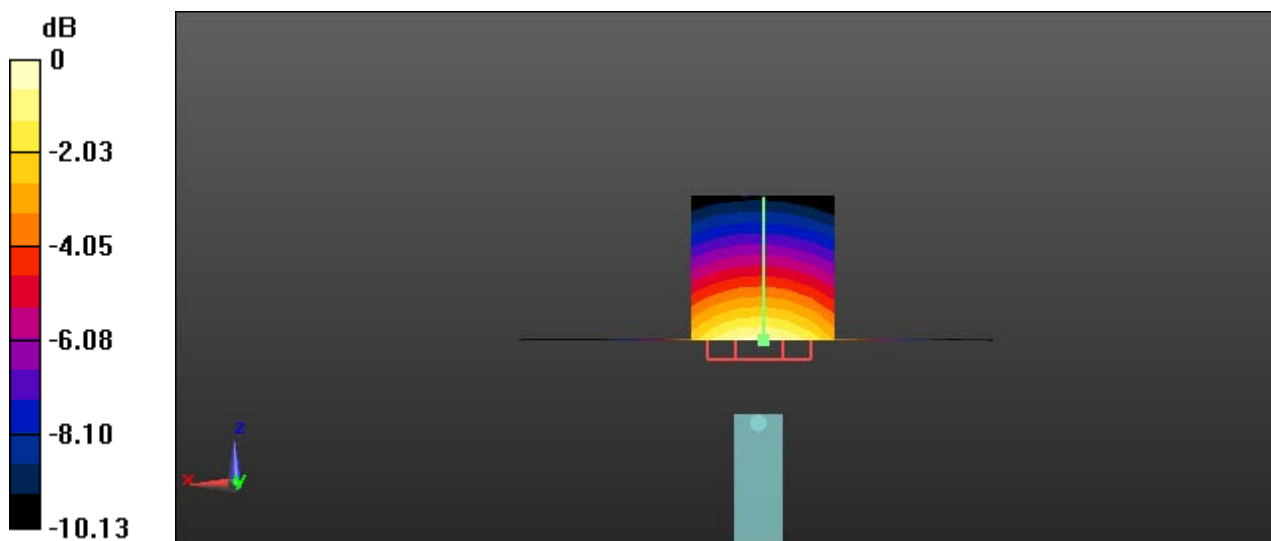
**System Performance 835 MHz Body /Zoom Scan (7x7x7)/Cube 0:** Measurement grid:  $dx=5\text{mm}$ ,  $dy=5\text{mm}$ ,  $dz=5\text{mm}$

Reference Value = 100.7 V/m; Power Drift = 0.07 dB

Peak SAR (extrapolated) = 14.9 W/kg

**SAR(1 g) = 9.64 W/kg; SAR(10 g) = 6.25 W/kg**

Maximum value of SAR (measured) = 10.7 W/kg



0 dB = 10.7 W/kg = 10.29 dBW/kg



**Test Laboratory: Bay Area Compliance Labs Corp.(Kunshan)**

**System Performance 1750 MHz Head**

**DUT: D1750V2; Type: 1750 MHz; Serial: 1140**

Communication System: CW; Frequency: 1750 MHz; Duty Cycle: 1:1  
 Medium parameters used:  $f = 1750 \text{ MHz}$ ;  $\sigma = 1.432 \text{ S/m}$ ;  $\epsilon_r = 40.399$ ;  $\rho = 1000 \text{ kg/m}^3$   
 Phantom section: Flat Section

**DASY5 Configuration:**

- Probe: EX3DV4 - SN7431; ConvF(8.47, 8.47, 8.47); Calibrated: 2016/10/4;
- Sensor-Surface: 4mm (Mechanical Surface Detection)
- Electronics: DAE3 Sn379; Calibrated: 2016/10/4
- Phantom: SAM 1; Type: QD000P40CC; Serial: TP:1412
- Measurement SW: DASY52, Version 52.8 (8);

**System Performance 1750 MHz Head /Area Scan (61x81x1):** Interpolated grid:  $dx=1.500 \text{ mm}$ ,  $dy=1.500 \text{ mm}$   
 Maximum value of SAR (interpolated) = 44.1 W/kg

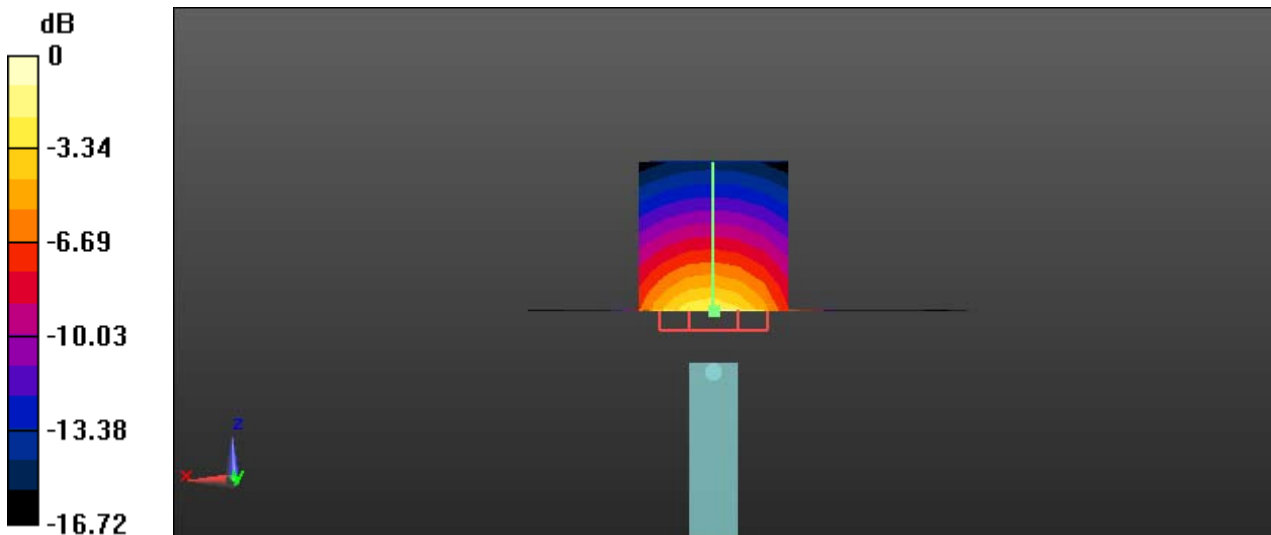
**System Performance 1750 MHz Head /Zoom Scan (7x7x7)/Cube 0:** Measurement grid:  $dx=5\text{mm}$ ,  $dy=5\text{mm}$ ,  $dz=5\text{mm}$

Reference Value = 155.6 V/m; Power Drift = -0.13 dB

Peak SAR (extrapolated) = 74.3 W/kg

**SAR(1 g) = 38.8 W/kg; SAR(10 g) = 20.5 W/kg**

Maximum value of SAR (measured) = 43.2 W/kg



0 dB = 43.2 W/kg = 16.35 dBW/kg

**Test Laboratory: Bay Area Compliance Labs Corp.(Kunshan)**

**System Performance 1750 MHz Body**

**DUT: D1750V2; Type: 1750 MHz; Serial: 1140**

Communication System: CW; Frequency: 1750 MHz; Duty Cycle: 1:1  
 Medium parameters used:  $f = 1750 \text{ MHz}$ ;  $\sigma = 1.549 \text{ S/m}$ ;  $\epsilon_r = 53.297$ ;  $\rho = 1000 \text{ kg/m}^3$   
 Phantom section: Left Section

DASY5 Configuration:

- Probe: EX3DV4 - SN7431; ConvF(8.24, 8.24, 8.24); Calibrated: 2016/10/4;
- Sensor-Surface: 4mm (Mechanical Surface Detection)
- Electronics: DAE3 Sn379; Calibrated: 2016/10/4
- Phantom: Triple Flat Phantom 5.1C; Type: QD 000 P51 CA; Serial: 1130
- Measurement SW: DASY52, Version 52.8 (8);

**System Performance 1750 MHz Body /Area Scan (61x81x1):** Interpolated grid:  $dx=1.500 \text{ mm}$ ,  $dy=1.500 \text{ mm}$   
 Maximum value of SAR (interpolated) = 44.2 W/kg

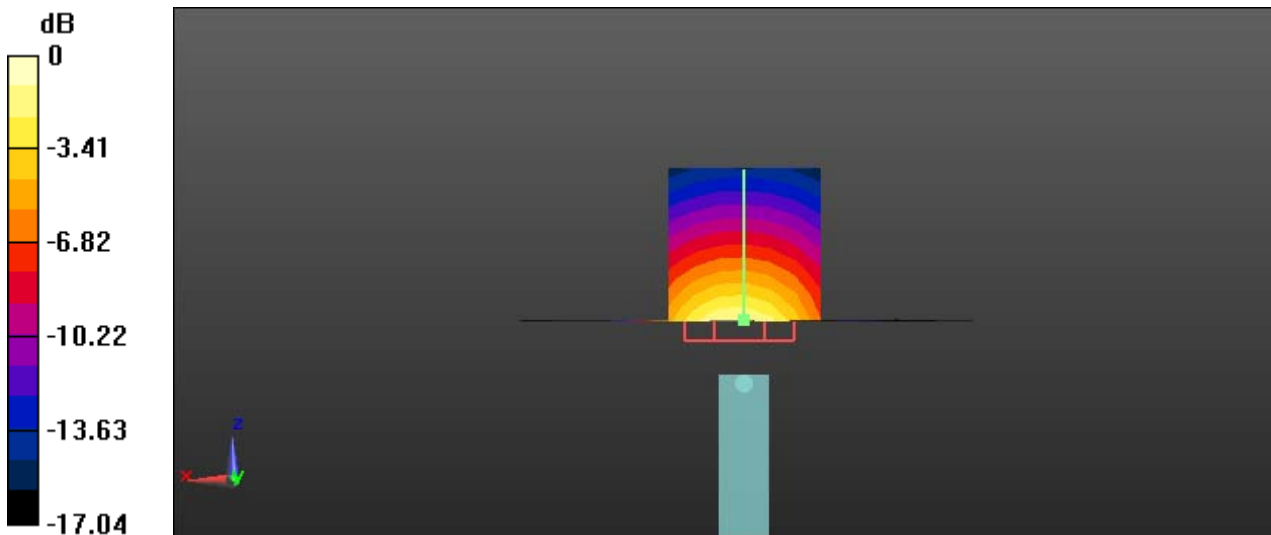
**System Performance 1750 MHz Body /Zoom Scan (7x7x7)/Cube 0:** Measurement grid:  $dx=5\text{mm}$ ,  $dy=5\text{mm}$ ,  $dz=5\text{mm}$

Reference Value = 152.6 V/m; Power Drift = -0.03 dB

Peak SAR (extrapolated) = 72.6 W/kg

**SAR(1 g) = 38.1 W/kg; SAR(10 g) = 20.1 W/kg**

Maximum value of SAR (measured) = 43.7 W/kg



0 dB = 43.7 W/kg = 16.40 dBW/kg

**Test Laboratory: Bay Area Compliance Labs Corp.(Kunshan)**

**System Performance 1900 MHz Head**

**DUT: D1900V2; Type: 1900 MHz; Serial: 5d206**

Communication System: CW; Frequency: 1900 MHz; Duty Cycle: 1:1

Medium parameters used:  $f = 1900$  MHz;  $\sigma = 1.431$  S/m;  $\epsilon_r = 40.789$ ;  $\rho = 1000$  kg/m<sup>3</sup>

Phantom section: Flat Section

DASY5 Configuration:

- Probe: EX3DV4 - SN7431; ConvF(8.18, 8.18, 8.18); Calibrated: 2016/10/4;
- Sensor-Surface: 4mm (Mechanical Surface Detection)
- Electronics: DAE3 Sn379; Calibrated: 2016/10/4
- Phantom: SAM 1; Type: QD000P40CC; Serial: TP:1412
- Measurement SW: DASY52, Version 52.8 (8);

**System Performance 1900 MHz Head /Area Scan (61x81x1):** Interpolated grid: dx=1.500 mm, dy=1.500 mm

Maximum value of SAR (interpolated) = 46.8 W/kg

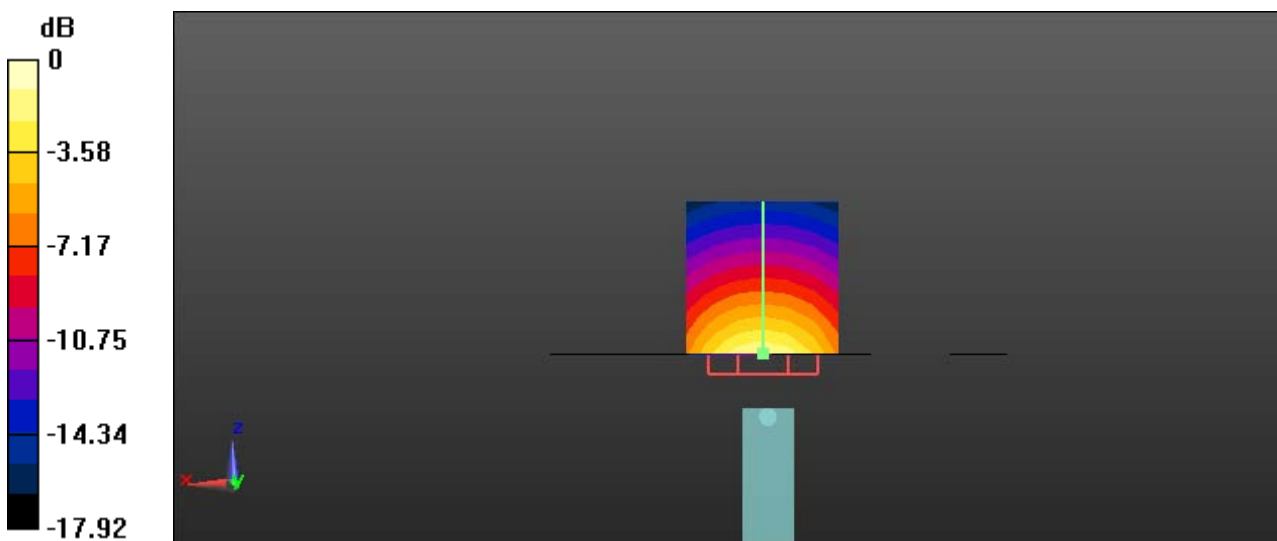
**System Performance 1900 MHz Head /Zoom Scan (7x7x7)/Cube 0:** Measurement grid: dx=5mm, dy=5mm, dz=5mm

Reference Value = 165.2 V/m; Power Drift = -0.05 dB

Peak SAR (extrapolated) = 80.4 W/kg

**SAR(1 g) = 41.1 W/kg; SAR(10 g) = 21.1 W/kg**

Maximum value of SAR (measured) = 45.4 W/kg



0 dB = 45.4 W/kg = 16.57 dBW/kg

**Test Laboratory: Bay Area Compliance Labs Corp.(Kunshan)**

**System Performance 1900 MHz Body**

**DUT: D1900V2; Type: 1900 MHz; Serial: 5d206**

Communication System: CW; Frequency: 1900 MHz; Duty Cycle: 1:1  
 Medium parameters used:  $f = 1900 \text{ MHz}$ ;  $\sigma = 1.544 \text{ S/m}$ ;  $\epsilon_r = 52.753$ ;  $\rho = 1000 \text{ kg/m}^3$   
 Phantom section: Left Section

**DASY5 Configuration:**

- Probe: EX3DV4 - SN7431; ConvF(7.98, 7.98, 7.98); Calibrated: 2016/10/4;
- Sensor-Surface: 4mm (Mechanical Surface Detection)
- Electronics: DAE3 Sn379; Calibrated: 2016/10/4
- Phantom: Triple Flat Phantom 5.1C; Type: QD 000 P51 CA; Serial: 1130
- Measurement SW: DASY52, Version 52.8 (8);

**System Performance 1900 MHz Body /Area Scan (61x81x1):** Interpolated grid:  $dx=1.500 \text{ mm}$ ,  $dy=1.500 \text{ mm}$   
 Maximum value of SAR (interpolated) = 47.9 W/kg

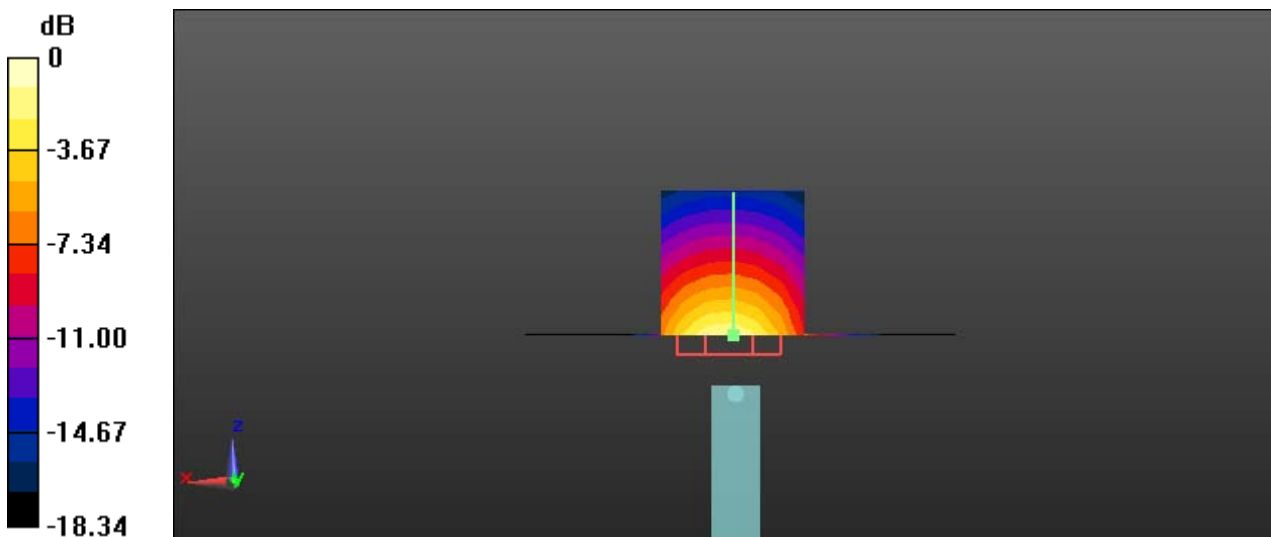
**System Performance 1900 MHz Body /Zoom Scan (7x7x7)/Cube 0:** Measurement grid:  $dx=5\text{mm}$ ,  $dy=5\text{mm}$ ,  $dz=5\text{mm}$

Reference Value = 167.2 V/m; Power Drift = -0.04 dB

Peak SAR (extrapolated) = 80.5 W/kg

**SAR(1 g) = 41.9 W/kg; SAR(10 g) = 22 W/kg**

Maximum value of SAR (measured) = 46.8 W/kg



0 dB = 46.8 W/kg = 16.70 dBW/kg

**Test Laboratory: Bay Area Compliance Labs Corp.(Kunshan)**

**System Performance 2600 MHz Head**

**DUT: D2600V2; Type: 2600 MHz; Serial: 1132**

Communication System: CW; Frequency: 2600 MHz; Duty Cycle: 1:1

Medium parameters used:  $f = 2600 \text{ MHz}$ ;  $\sigma = 2.057 \text{ S/m}$ ;  $\epsilon_r = 37.809$ ;  $\rho = 1000 \text{ kg/m}^3$

Phantom section: Flat Section

DASY5 Configuration:

- Probe: EX3DV4 - SN7431; ConvF(7.44, 7.44, 7.44); Calibrated: 2016/10/4;
- Sensor-Surface: 4mm (Mechanical Surface Detection)
- Electronics: DAE3 Sn379; Calibrated: 2016/10/4
- Phantom: SAM 1; Type: QD000P40CC; Serial: TP:1412
- Measurement SW: DASY52, Version 52.8 (8);

**System Performance 2600 MHz Head /Area Scan (61x71x1):** Interpolated grid:  $dx=1.000 \text{ mm}$ ,  $dy=1.000 \text{ mm}$

Maximum value of SAR (interpolated) = 68.2 W/kg

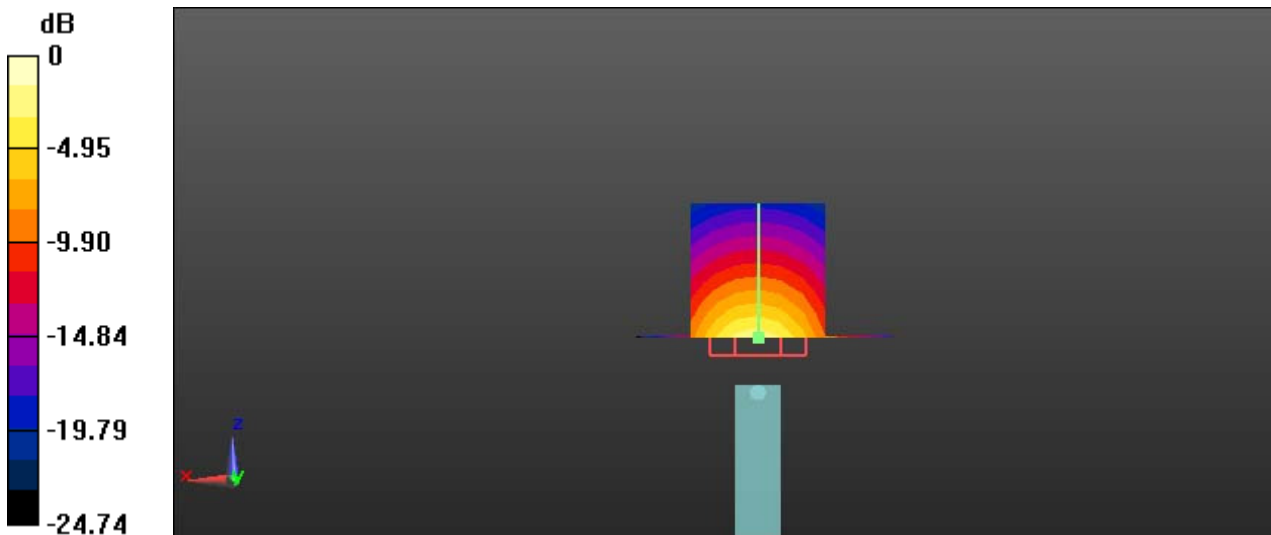
**System Performance 2600 MHz Head /Zoom Scan (7x7x7)/Cube 0:** Measurement grid:  $dx=5\text{mm}$ ,  $dy=5\text{mm}$ ,  $dz=5\text{mm}$

Reference Value = 172.8 V/m; Power Drift = 0.04 dB

Peak SAR (extrapolated) = 137 W/kg

**SAR(1 g) = 58.8 W/kg; SAR(10 g) = 25.3 W/kg**

Maximum value of SAR (measured) = 66.7 W/kg



0 dB = 66.7 W/kg = 18.24 dBW/kg

**Test Laboratory: Bay Area Compliance Labs Corp.(Kunshan)**

**System Performance 2600 MHz Body**

**DUT: D2600V2; Type: 2600 MHz; Serial: 1132**

Communication System: CW; Frequency: 2600 MHz; Duty Cycle: 1:1  
 Medium parameters used:  $f = 2600$  MHz;  $\sigma = 2.255$  S/m;  $\epsilon_r = 50.991$ ;  $\rho = 1000$  kg/m<sup>3</sup>  
 Phantom section: Center Section

DASY5 Configuration:

- Probe: EX3DV4 - SN7431; ConvF(7.47, 7.47, 7.47); Calibrated: 2016/10/4;
- Sensor-Surface: 4mm (Mechanical Surface Detection)
- Electronics: DAE3 Sn379; Calibrated: 2016/10/4
- Phantom: Triple Flat Phantom 5.1C; Type: QD 000 P51 CA; Serial: 1130
- Measurement SW: DASY52, Version 52.8 (8);

**System Performance 2600 MHz Body /Area Scan (61x71x1):** Interpolated grid: dx=1.000 mm, dy=1.000 mm  
 Maximum value of SAR (interpolated) = 70.2 W/kg

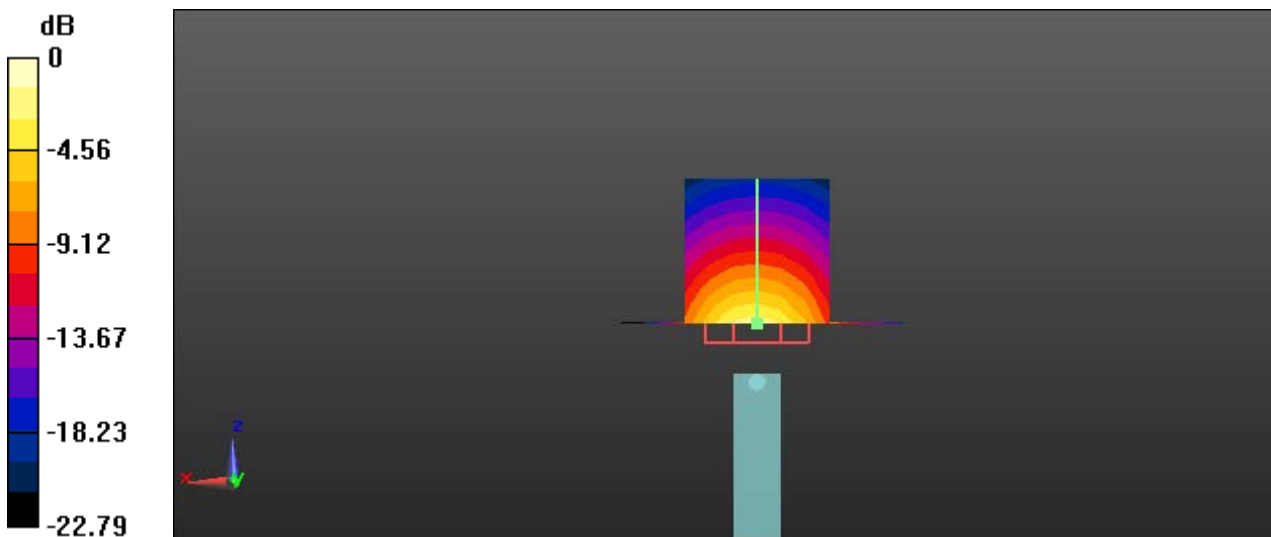
**System Performance 2600 MHz Body /Zoom Scan (7x7x7)/Cube 0:** Measurement grid: dx=5mm, dy=5mm, dz=5mm

Reference Value = 178.2 V/m; Power Drift = -0.05 dB

Peak SAR (extrapolated) = 134 W/kg

**SAR(1 g) = 57 W/kg; SAR(10 g) = 25.1 W/kg**

Maximum value of SAR (measured) = 67.9 W/kg



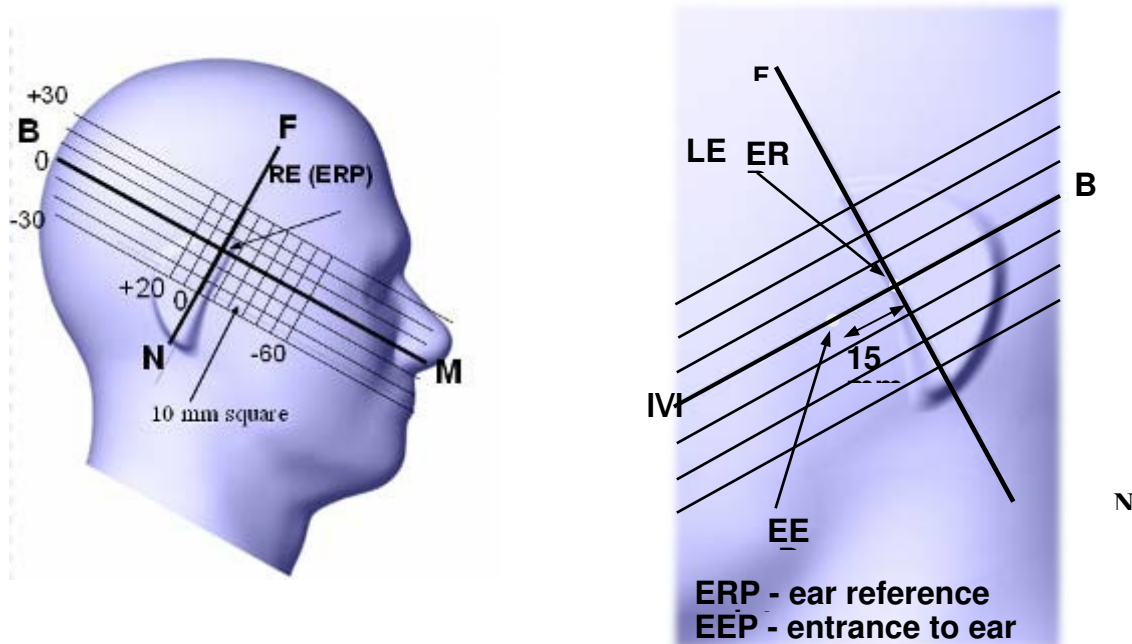
0 dB = 67.9 W/kg = 18.32 dBW/kg

## EUT TEST STRATEGY AND METHODOLOGY

### Test Positions for Device Operating Next to a Person’s Ear

This category includes most wireless handsets with fixed, retractable or internal antennas located toward the top half of the device, with or without a foldout, sliding or similar keypad cover. The handset should have its earpiece located within the upper ¼ of the device, either along the centerline or off-centered, as perceived by its users. This type of handset should be positioned in a normal operating position with the “test device reference point” located along the “vertical centerline” on the front of the device aligned to the “ear reference point”. The “test device reference point” should be located at the same level as the center of the earpiece region. The “vertical centerline” should bisect the front surface of the handset at its top and bottom edges. A “ear reference point” is located on the outer surface of the head phantom on each ear spacer. It is located 1.5 cm above the center of the ear canal entrance in the “phantom reference plane” defined by the three lines joining the center of each “ear reference point” (left and right) and the tip of the mouth.

A handset should be initially positioned with the earpiece region pressed against the ear spacer of a head phantom. For the SCC-34/SC-2 head phantom, the device should be positioned parallel to the “N-F” line defined along the base of the ear spacer that contains the “ear reference point”. For interim head phantoms, the device should be positioned parallel to the cheek for maximum RF energy coupling. The “test device reference point” is aligned to the “ear reference point” on the head phantom and the “vertical centerline” is aligned to the “phantom reference plane”. This is called the “initial ear position”. While maintaining these three alignments, the body of the handset is gradually adjusted to each of the following positions for evaluating SAR:



## Cheek/Touch Position

The device is brought toward the mouth of the head phantom by pivoting against the “ear reference point” or along the “N-F” line for the SCC-34/SC-2 head phantom.

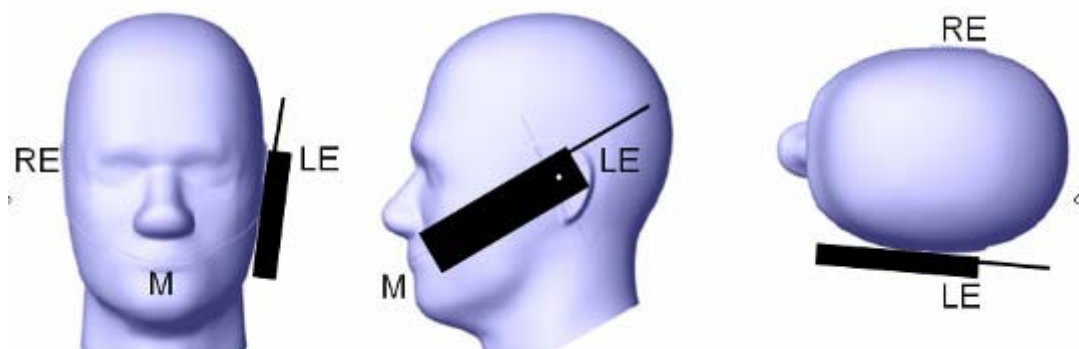
This test position is established:

When any point on the display, keypad or mouthpiece portions of the handset is in contact with the phantom.

(or) When any portion of a foldout, sliding or similar keypad cover opened to its intended self-adjusting normal use position is in contact with the cheek or mouth of the phantom.

For existing head phantoms – when the handset loses contact with the phantom at the pivoting point, rotation should continue until the device touches the cheek of the phantom or breaks its last contact from the ear spacer.

### Cheek /Touch Position



## Ear/Tilt Position

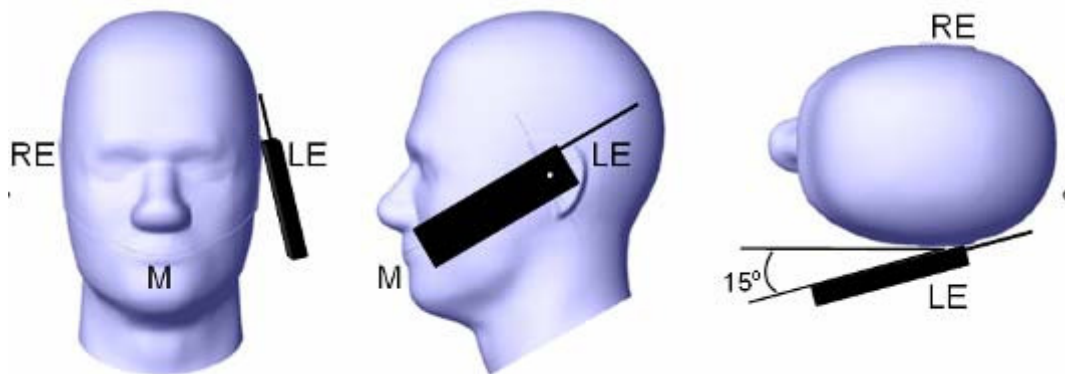
With the handset aligned in the “Cheek/Touch Position”:

1) If the earpiece of the handset is not in full contact with the phantom’s ear spacer (in the “Cheek/Touch position”) and the peak SAR location for the “Cheek/Touch” position is located at the ear spacer region or corresponds to the earpiece region of the handset, the device should be returned to the “initial ear position” by rotating it away from the mouth until the earpiece is in full contact with the ear spacer.

2) (otherwise) The handset should be moved (translated) away from the cheek perpendicular to the line passes through both “ear reference points” (note: one of these ear reference points may not physically exist on a split head model) for approximate 2-3 cm. While it is in this position, the device handset is tilted away from the mouth with respect to the “test device reference point” until the inside angle between the vertical centerline on the front surface of the phone and the horizontal line passing through the ear reference point is by 15 80°. After the tilt, it is then moved (translated) back toward the head perpendicular to the line passes through both “ear reference points” until the device touches the phantom or the ear spacer. If the antenna touches the head first, the positioning process should be repeated with a tilt angle less than 15° so that the device and its antenna would touch the phantom simultaneously. This test position may require a device holder or positioner to achieve the translation and tilting with acceptable positioning repeatability.

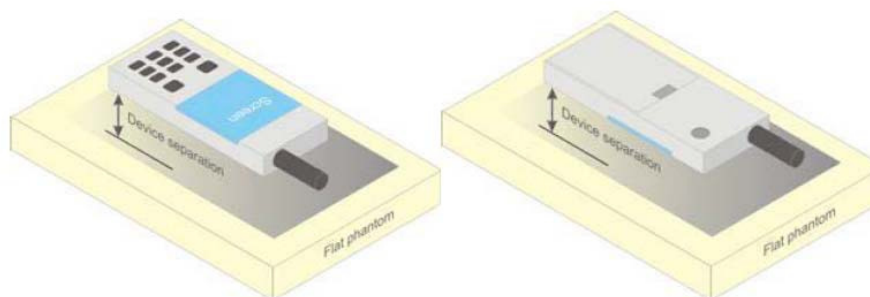
If a device is also designed to transmit with its keypad cover closed for operating in the head position, such positions should also be considered in the SAR evaluation. The device should be tested on the left and right side of the head phantom in the “Cheek/Touch” and “Ear/Tilt” positions. When applicable, each configuration should be tested with the antenna in its fully extended and fully retracted positions. These test configurations should be tested at the high, middle and low frequency channels of each operating mode; for example, AMPS, CDMA, and TDMA. If the SAR measured at the middle channel for each test configuration (left, right, Cheek/Touch, Tilt/Ear, extended and retracted) is at least 2.0 dB lower than the SAR limit, testing at the high and low channels is optional for such test configuration(s). If the transmission band of the test device is less than 10 MHz, testing at the high and low frequency channels is optional.



**Ear /Tilt 15° Position****Test positions for body-worn and other configurations**

Body-worn operating configurations should be tested with the belt-clips and holsters attached to the device and positioned against a flat phantom in normal use configurations. Devices with a headset output should be tested with a headset connected to the device. When multiple accessories that do not contain metallic components are supplied with the device, the device may be tested with only the accessory that dictates the closest spacing to the body. When multiple accessories that contain metallic components are supplied with the device, the device must be tested with each accessory that contains a unique metallic component. If multiple accessories share an identical metallic component (e.g., the same metallic belt-clip used with different holsters with no other metallic components), only the accessory that dictates the closest spacing to the body must be tested.

Body-worn accessories may not always be supplied or available as options for some devices that are intended to be authorized for body-worn use. A separation distance of 1.5 cm between the back of the device and a flat phantom is recommended for testing body-worn SAR compliance under such circumstances. Other separation distances may be used, but they should not exceed 2.5 cm. In these cases, the device may use body-worn accessories that provide a separation distance greater than that tested for the device provided however that the accessory contains no metallic components.



**Figure 5 – Test positions for body-worn devices**

## SAR Evaluation Procedure

The evaluation was performed with the following procedure:

Step 1: Measurement of the SAR value at a fixed location above the ear point or central position was used as a reference value for assessing the power drop. The SAR at this point is measured at the start of the test and then again at the end of the testing.

Step 2: The SAR distribution at the exposed side of the head was measured at a distance of 4 mm from the inner surface of the shell. The area covered the entire dimension of the head or radiating structures of the EUT, the horizontal grid spacing was 15 mm x 15 mm, and the SAR distribution was determined by integrated grid of 1.5mm x 1.5mm. Based on these data, the area of the maximum absorption was determined by spline interpolation. The first Area Scan covers the entire dimension of the EUT to ensure that the hotspot was correctly identified.

Step 3: Around this point, a volume of 30 mm x 30 mm x 30 mm was assessed by measuring 7x 7 x 7 points. On the basis of this data set, the spatial peak SAR value was evaluated under the following procedure:

1) The data at the surface were extrapolated, since the center of the dipoles is 1.2 mm away from the tip of the probe and the distance between the surface and the lowest measuring point is 1.3 mm. The extrapolation was based on a least square algorithm. A polynomial of the fourth order was calculated through the points in z-axes. This polynomial was then used to evaluate the points between the surface and the probe tip.

2) The maximum interpolated value was searched with a straightforward algorithm. Around this maximum the SAR values averaged over the spatial volumes (1 g or 10 g) were computed by the 3D-Spline interpolation algorithm. The 3D-Spline is composed of three one dimensional splines with the "Not a knot"-condition (in x, y and z-directions). The volume was integrated with the trapezoidal-algorithm. One thousand points (10 x 10 x 10) were interpolated to calculate the averages.

All neighboring volumes were evaluated until no neighboring volume with a higher average value was found.

Step 4: Re-measurement of the SAR value at the same location as in Step 1. If the value changed by more than 5%, the evaluation was repeated.

## Test methodology

KDB 447498 D01 General RF Exposure Guidance v06  
KDB 648474 D04 Handset SAR v01r03  
KDB 865664 D01 SAR Measurement 100 MHz to 6 GHz v01r04  
KDB 865664 D02 RF Exposure Reporting v01r02  
KDB 941225 D01 3G SAR Procedures v03r01  
KDB 941225 D05 SAR for LTE Devices v02r04  
KDB 941225 D06 Hotspot Mode v02r01

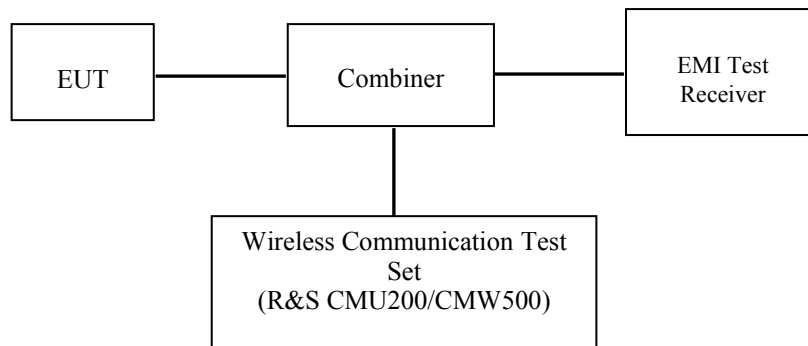
## CONDUCTED OUTPUT POWER MEASUREMENT

### Provision Applicable

The measured peak output power should be greater and within 5% than EMI measurement.

### Test Procedure

The RF output of the transmitter was connected to the input of the EMI Test Receiver through sufficient attenuation.



### GSM/WCDMA/LTE

### Radio Configuration

The power measurement was configured by the Wireless Communication Test Set.

#### GSM/GPRS/EGPRS

Function: Menu select > GSM Mobile Station > GSM 850/1900

Press Connection control to choose the different menus

Press RESET > choose all the reset all settings

Connection Press Signal Off to turn off the signal and change settings

Network Support > GSM + GPRS or GSM + EGSM

Main Service > Packet Data

Service selection > Test Mode A – Auto Slot Config. off

MS Signal Press Slot Config Bottom on the right twice to select and change the number of time slots and power setting

> Slot configuration > Uplink/Gamma

> 33 dBm for GPRS 850

> 30 dBm for GPRS 1900

> 27 dBm for EGPRS 850

> 26 dBm for EGPRS 1900

BS Signal Enter the same channel number for TCH channel (test channel) and BCCH channel

Frequency Offset > + 0 Hz

Mode > BCCH and TCH

BCCH Level > -85 dBm (May need to adjust if link is not stable)

BCCH Channel > choose desired test channel [Enter the same channel number for TCH channel (test channel) and BCCH channel]

Channel Type > Off

P0 > 4 dB

Slot Config > Unchanged (if already set under MS signal)

TCH > choose desired test channel

Hopping > Off

Main Timeslot > 3

Network Coding Scheme > CS4 (GPRS) and MCS5 (EGPRS)

Bit Stream > 2E9-1 PSR Bit Stream

AF/RF Enter appropriate offsets for Ext. Att. Output and Ext. Att. Input

Connection Press Signal on to turn on the signal and change settings

**WCDMA Release 99**

The following tests were conducted according to the test requirements outlines in section 5.2 of the 3GPP TS34.121-1 specification. The EUT has a nominal maximum output power of 24dBm (+1.7/-3.7).

<b>WCDMA General Settings</b>	Loopback Mode	Test Mode 1
	Rel99 RMC	12.2kbps RMC
	Power Control Algorithm	Algorithm2
	$\beta_c/\beta_d$	8/15

**HSDPA**

The following tests were conducted according to the test requirements outlines in section 5.2 of the 3GPP TS34.121-1 specification.

	Mode	HSDPA	HSDPA	HSDPA	HSDPA
	Subset	1	2	3	4
<b>WCDMA General Settings</b>	Loopback Mode	Test Mode 1			
	Rel99 RMC	12.2kbps RMC			
	HSDPA FRC	H-Set1			
	Power Control Algorithm	Algorithm2			
	$\beta_c$	2/15	12/15	15/15	15/15
	$\beta_d$	15/15	15/15	8/15	4/15
	$\beta_d(SF)$	64			
	$\beta_c/\beta_d$	2/15	12/15	15/8	15/4
	$\beta_{hs}$	4/15	24/15	30/15	30/15
MPR(dB)	0	0	0.5	0.5	
<b>HSDPA Specific Settings</b>	DACK	8			
	DNAK	8			
	DCQI	8			
	Ack-Nack repetition factor	3			
	CQI Feedback	4ms			
	CQI Repetition Factor	2			
	$A_{hs}=\beta_{hs}/\beta_c$	30/15			

**HSUPA**

The following tests were conducted according to the test requirements outlines in section 5.2 of the 3GPP TS34.121-1 specification.

	<b>Mode</b>	<b>HSUPA</b>	<b>HSUPA</b>	<b>HSUPA</b>	<b>HSUPA</b>	<b>HSUPA</b>
	<b>Subset</b>	<b>1</b>	<b>2</b>	<b>3</b>	<b>4</b>	<b>5</b>
<b>WCDMA General Settings</b>	Loopback Mode	Test Mode 1				
	Rel99 RMC	12.2kbps RMC				
	HSDPA FRC	H-Set1				
	HSUPA Test	HSUPA Loopback				
	Power Control Algorithm	Algorithm2				
	$\beta_c$	11/15	6/15	15/15	2/15	15/15
	$\beta_d$	15/15	15/15	9/15	15/15	0
	$\beta_{cc}$	209/225	12/15	30/15	2/15	5/15
	$\beta_c / \beta_d$	11/15	6/15	15/9	2/15	-
	$\beta_{hs}$	22/15	12/15	30/15	4/15	5/15
	CM(dB)	1.0	3.0	2.0	3.0	1.0
MPR(dB)	0	2	1	2	0	
<b>HSDPA Specific Settings</b>	DACK	8				
	DNAK	8				
	DCQI	8				
	Ack-Nack repetition factor	3				
	CQI Feedback	4ms				
	CQI Repetition Factor	2				
	$A_{hs} = \beta_{hs} / \beta_c$	30/15				
<b>HSUPA Specific Settings</b>	DE-DPCCH	6	8	8	5	7
	DHARQ	0	0	0	0	0
	AG Index	20	12	15	17	21
	ETFCI	75	67	92	71	81
	Associated Max UL Data Rate kbps	242.1	174.9	482.8	205.8	308.9
	Reference E_FCIs	E-TFCI 11 E E-TFCI PO 4 E-TFCI 67 E-TFCI PO 18 E-TFCI 71 E-TFCI PO23 E-TFCI 75 E-TFCI PO26 E-TFCI 81 E-TFCI PO 27	E-TFCI 11 E-TFCI PO4 E-TFCI 92 E-TFCI PO 18	E-TFCI 11 E-TFCI PO4 E-TFCI 92 E-TFCI PO 18	E-TFCI 11 E E-TFCI PO 4 E-TFCI 67 E-TFCI PO 18 E-TFCI 71 E-TFCI PO23 E-TFCI 75 E-TFCI PO26 E-TFCI 81 E-TFCI PO 27	

**HSPA+**

Sub-test	$\beta_c$ (Note3)	$\beta_d$	$\beta_{HS}$ (Note1)	$\beta_{ec}$	$\beta_{ed}$ (2xSF2) (Note 4)	$\beta_{ed}$ (2xSF4) (Note 4)	CM (dB) (Note 2)	MPR (dB) (Note 2)	AG Index (Note 4)	E-TFCI (Note 5)	E-TFCI (boost)
1	1	0	30/15	30/15	$\beta_{ed1}$ : 30/15 $\beta_{ed2}$ : 30/15	$\beta_{ed3}$ : 24/15 $\beta_{ed4}$ : 24/15	3.5	2.5	14	105	105

- Note 1:  $\Delta_{ACK}, \Delta_{NACK}$  and  $\Delta_{CQI} = 30/15$  with  $\beta_{hs} = 30/15 * \beta_c$ .
- Note 2: CM = 3.5 and the MPR is based on the relative CM difference, MPR = MAX(CM-1,0).
- Note 3: DPDCH is not configured, therefore the  $\beta_c$  is set to 1 and  $\beta_d = 0$  by default.
- Note 4:  $\beta_{ed}$  can not be set directly; it is set by Absolute Grant Value.
- Note 5: All the sub-tests require the UE to transmit 2SF2+2SF4 16QAM EDCH and they apply for UE using E-DPDCH category 7. E-DCH TTI is set to 2ms TTI and E-DCH table index = 2. To support these E-DCH configurations DPDCH is not allocated. The UE is signalled to use the extrapolation algorithm.

The following tests were conducted according to the test requirements in Table C.11.1.4 of 3GPP TS 34.121-1

**LTE**

For UE Power Class 1 and 3, the allowed Maximum Power Reduction (MPR) for the maximum output power in Table 6.2.2-1 due to higher order modulation and transmit bandwidth configuration (resource blocks) is specified in Table 6.2.3-1.

**Table 6.2.3-1: Maximum Power Reduction (MPR) for Power Class 1 and 3**

Modulation	Channel bandwidth / Transmission bandwidth ( $N_{RB}$ )						MPR (dB)
	1.4 MHz	3.0 MHz	5 MHz	10 MHz	15 MHz	20 MHz	
QPSK	> 5	> 4	> 8	> 12	> 16	> 18	≤ 1
16 QAM	≤ 5	≤ 4	≤ 8	≤ 12	≤ 16	≤ 18	≤ 1
16 QAM	> 5	> 4	> 8	> 12	> 16	> 18	≤ 2

For UE Power Class 1 and 3 the specific requirements and identified sub clauses are specified in Table 6.2.4-1 along with the allowed A-MPR values that may be used to meet these requirements. The allowed A-MPR values specified below in Table 6.2.4-1 to 6.2.4-15 are in addition to the allowed MPR requirements specified in sub clause 6.2.3.

**Table 6.2.4-1: Additional Maximum Power Reduction (A-MPR)**

Network Signalling value	Requirements (subclause)	E-UTRA Band	Channel bandwidth (MHz)	Resources Blocks ( $N_{RB}$ )	A-MPR (dB)
NS_01	6.6.2.1.1	Table 5.5-1	1.4, 3, 5, 10, 15, 20	Table 5.6-1	N/A
NS_03	6.6.2.2.1	2, 4, 10, 23, 25, 35, 36	3	>5	≤ 1
			5	>6	≤ 1
			10	>6	≤ 1
			15	>8	≤ 1
NS_04	6.6.2.2.2	41	20	>10	≤ 1
			5	>6	≤ 1
NS_05	6.6.3.3.1	1	10, 15, 20	≥ 50	≤ 1
NS_06	6.6.2.2.3	12, 13, 14, 17	1.4, 3, 5, 10	Table 5.6-1	N/A
NS_07	6.6.2.2.3 6.6.3.3.2	13	10	Table 6.2.4-2	
NS_08	6.6.3.3.3	19	10, 15	> 44	≤ 3
NS_09	6.6.3.3.4	21	10, 15	> 40	≤ 1
				> 55	≤ 2
NS_10		20	15, 20	Table 6.2.4-3	
NS_11	6.6.2.2.1	23	1.4, 3, 5, 10, 15, 20	Table 6.2.4-5	
NS_12	6.6.3.3.5	26	1.4, 3, 5	Table 6.2.4-6	
NS_13	6.6.3.3.6	26	5	Table 6.2.4-7	
NS_14	6.6.3.3.7	26	10, 15	Table 6.2.4-8	
NS_15	6.6.3.3.8	26	1.4, 3, 5, 10, 15	Table 6.2.4-9 Table 6.2.4-10	
NS_16	6.6.3.3.9	27	3, 5, 10	Table 6.2.4-11, Table 6.2.4-12, Table 6.2.4-13	
NS_17	6.6.3.3.10	28	5, 10	Table 5.6-1	N/A
NS_18	6.6.3.3.11	28	5	≥ 2	≤ 1
			10, 15, 20	≥ 1	≤ 4
NS_19	6.6.3.3.12	44	10, 15, 20	Table 6.2.4-14	
NS_20	6.2.2 6.6.2.2.1 6.6.3.2	23	5, 10, 15, 20	Table 6.2.4-15	
...					
NS_32	-	-	-	-	-

**Maximum Target Output Power**

<b>Max Target Power(dBm)</b>			
<b>Mode/Band</b>	<b>Channel</b>		
	<b>Low</b>	<b>Middle</b>	<b>High</b>
GSM 850	31.8	31.8	31.8
GPRS 1 TX Slot	31.8	31.8	31.8
GPRS 2 TX Slot	31.3	31.3	31.3
GPRS 3 TX Slot	30.9	30.9	30.9
GPRS 4 TX Slot	29.3	29.3	29.3
EDGE 1 TX Slot	28	28	28
EDGE 2 TX Slot	27.1	27.1	27.1
EDGE 3 TX Slot	25.5	25.5	25.5
EDGE 4 TX Slot	24.6	24.6	24.6
PCS 1900	30.6	30.6	30.6
GPRS 1 TX Slot	29.5	29.5	29.5
GPRS 2 TX Slot	28.6	28.6	28.6
GPRS 3 TX Slot	27.6	27.6	27.6
GPRS 4 TX Slot	26.1	26.1	26.1
EDGE 1 TX Slot	28.2	28.2	28.2
EDGE 2 TX Slot	27	27	27
EDGE 3 TX Slot	24.7	24.7	24.7
EDGE 4 TX Slot	23.4	23.4	23.4
WCDMA Band 2	22.9	22.9	22.9
HSDPA	20.8	20.8	20.8
HSUPA	21.5	21.5	21.5
HSPA+	21.5	21.5	21.5
WCDMA Band 4	22.9	22.9	22.9
HSDPA	20.8	20.8	20.8
HSUPA	20.8	20.8	20.8
HSPA+	20.8	20.8	20.8
WCDMA Band 5	22.1	22.1	22.1
HSDPA	20.8	20.8	20.8
HSUPA	20.8	20.8	20.8
HSPA+	20.9	20.9	20.9
LTE Band 2	23.6	23.6	23.6
LTE Band 4	23.6	23.6	23.6
LTE Band 5	23.2	23.2	23.2
LTE Band 7	24	24	24
LTE Band 17	24.8	24.8	24.8
WLAN(802.11b)	9.5	9.5	9.5
WLAN(802.11g)	9.5	9.5	9.5
WLAN(802.11n HT20)	9.5	9.5	9.5
WLAN(802.11n HT40)	9.5	9.5	9.5
Bluetooth BDR/EDR	5	5	5
Bluetooth LE	-6	-6	-6



**Test Results:**

**GSM:**

Band	Channel No.	Frequency (MHz)	RF Output Power (dBm)
GSM 850	128	824.2	31.39
	190	836.6	31.49
	251	848.8	<b>31.66</b>
PCS 1900	512	1850.2	30.17
	661	1880	<b>30.48</b>
	810	1909.8	30.32

**GPRS:**

Band	Channel No.	Frequency (MHz)	RF Output Power (dBm)			
			1 slot	2 slots	3 slots	4 slots
GSM 850	128	824.2	31.45	31.2	30.64	28.87
	190	836.6	31.52	30.63	30.63	29.07
	251	848.8	31.65	30.74	30.84	29.24
PCS 1900	512	1850.2	28.76	28.51	26.8	25.03
	661	1880	29.32	28.43	27.51	25.95
	810	1909.8	29.4	28.49	27.35	25.75

**EGPRS:**

Band	Channel No.	Frequency (MHz)	RF Output Power (dBm)			
			1 slot	2 slots	3 slots	4 slots
GSM 850	128	824.2	27.93	26.88	25.43	24.45
	190	836.6	27.91	26.97	25.13	24.2
	251	848.8	27.92	26.93	25.39	24.23
PCS 1900	512	1850.2	28.13	26.88	24.63	23.31
	661	1880	27.51	26.41	24.23	22.94
	810	1909.8	27.17	25.87	23.78	22.46

For SAR, the time based average power is relevant, the difference in between depends on the duty cycle of the TDMA signal.

Number of Time slot	1	2	3	4
Duty Cycle	1:8	1:4	1:2.66	1:2
Time based Ave. power compared to slotted Ave. power	-9 dB	-6 dB	-4.25 dB	-3 dB
Crest Factor	8	4	2.66	2

**The time based average power for GPRS**

Band	Channel No.	Frequency (MHz)	Time based average Power (dBm)			
			1 slot	2 slot	3 slots	4 slots
GSM 850	128	824.2	22.45	25.2	26.39	25.87
	190	836.6	22.52	24.63	26.38	26.07
	251	848.8	22.65	24.74	<b>26.59</b>	26.24
PCS 1900	512	1850.2	19.76	22.51	22.55	22.03
	661	1880	20.32	22.43	<b>23.26</b>	22.95
	810	1909.8	20.4	22.49	23.1	22.75

**The time based average power for EGPRS**

Band	Channel No.	Frequency (MHz)	Time based average Power (dBm)			
			1 slot	2 slot	3 slots	4 slots
GSM 850	128	824.2	18.93	20.88	21.18	21.45
	190	836.6	18.91	20.97	20.88	21.2
	251	848.8	18.92	20.93	21.14	21.23
PCS 1900	512	1850.2	19.13	20.88	20.38	20.31
	661	1880	18.51	20.41	19.98	19.94
	810	1909.8	18.17	19.87	19.53	19.46

**Note:**

1. Rohde & Schwarz Radio Communication Tester (CMU200) was used for the measurement of GSM peak and average output power for active timeslots.
2. For GSM voice, 1 timeslot has been activated with power level 5 (850 MHz band) and 0 (1900 MHz band).
3. For GPRS, 1, 2, 3 and 4 timeslots has been activated separately with power level 3(850 MHz band) and 3(1900 MHz band).
4. According to KDB941225D01-SAR for EGPRS mode are not required when the source-based time-averaged output power for data mode is lower than that in the normal GPRS mode.

**WCDMA:**

**Results (12.2kbps RMC)**

Band	Frequency (MHz)	RF Output Power (dBm)
WCDMA Band 2	1852.4	<b>22.82</b>
	1880	22.78
	1907.6	22.64
WCDMA Band 4	1712.4	22.73
	1736.6	<b>22.78</b>
	1752.6	22.77
WCDMA Band 5	826.4	<b>22</b>
	836.6	21.73
	846.6	21.92

**Results (HSDPA)**

Band	Frequency (MHz)	RF Output Power (dBm)			
		Subset 1	Subset 2	Subset 3	Subset 4
WCDMA Band 2	1852.4	20.71	20.3	20.45	20.51
	1880	20.62	20.4	20.43	20.35
	1907.6	20.5	20.49	20.44	20.45
WCDMA Band 4	1712.4	20.58	20.5	20.74	20.49
	1736.6	20.7	20.46	20.64	20.48
	1752.6	20.51	20.45	20.58	20.6
WCDMA Band 5	826.4	20.6	20.61	20.6	20.49
	836.6	20.59	20.72	20.69	20.71
	846.6	20.68	20.69	20.61	20.56

**Results (HSUPA)**

Band	Frequency (MHz)	RF Output Power (dBm)				
		Subset 1	Subset 2	Subset 3	Subset 4	Subset 5
WCDMA Band 2	1852.4	20.51	21.15	21.14	21.39	21.09
	1880	20.5	21.22	21.36	21.42	21.13
	1907.6	20.55	21.35	21.1	21.38	21.05
WCDMA Band 4	1712.4	20.57	20.45	20.43	20.42	20.31
	1736.6	20.7	20.43	20.36	20.47	20.4
	1752.6	20.54	20.63	20.44	20.31	20.42
WCDMA Band 5	826.4	20.58	20.64	20.42	20.67	20.45
	836.6	20.58	20.56	20.51	20.53	20.55
	846.6	20.67	20.71	20.47	20.66	20.54

**Results (HSPA+)**

<b>Band</b>	<b>Frequency (MHz)</b>	<b>RF Output Power (dBm)</b>
WCDMA Band 2	1852.4	21.36
	1880	21.41
	1907.6	21.23
WCDMA Band 4	1712.4	20.62
	1736.6	20.55
	1752.6	20.55
WCDMA Band 5	826.4	20.68
	836.6	20.58
	846.6	20.8

**Note:**

1. The default test configuration is to measure SAR with an established radio link between the EUT and a communication test set using a 12.2 kbps RMC (reference measurement Channel) Configured in Test Loop Model 1.
2. KDB 941225 D01-Body SAR is not required for HSDPA/HSUPA/HSPA+ when the maximum average output of each RF channel is less than ¼ dB higher than measured 12.2kbps RMC or the maximum SAR for 12.2kbps RMC is < 75% of SAR limit.

**LTE Band 2:**

Test Bandwidth	Test Modulation	Resource Block & RB offset	Target MPR	Meas MPR	Low Channel (dBm)	Middle Channel (dBm)	High Channel (dBm)
1.4M	QPSK	1#0	0	0	23.33	23.46	23.18
		1#3	0	0	23.19	23.28	23.07
		1#5	0	0	23.39	23.48	22.97
		3#0	1	1	23.4	23.24	23.05
		3#1	1	1	23.15	23.19	23.04
		3#3	1	1	23.3	23.26	23.02
		6#0	1	1	22.31	22.4	22.31
	16-QAM	1#0	1	1	22.3	22.38	22.25
		1#3	1	1	22.73	22.27	22.07
		1#5	1	1	22.61	22.35	22.22
		3#0	2	2	22.6	22.35	22.19
		3#1	2	2	22.41	22.34	22.14
		3#3	2	2	22.36	22.36	22.06
		6#0	2	2	21.19	21.49	21.6
3M	QPSK	1#0	0	0	23.32	23.41	23.43
		1#7	0	0	23.13	23.33	23.14
		1#14	0	0	23.38	23.37	23.19
		8#0	1	1	22.42	22.47	22.51
		8#4	1	1	22.38	22.37	22.46
		8#7	1	1	22.33	22.36	22.31
		15#0	1	1	22.25	22.39	22.42
	16-QAM	1#0	1	1	22.15	22.06	22.68
		1#7	1	1	22.29	22.08	22.55
		1#14	1	1	22.17	22.08	22.68
		8#0	2	2	21.56	21.34	21.49
		8#4	2	2	21.58	21.4	21.55
		8#7	2	2	21.4	21.34	21.36
		15#0	2	2	21.29	21.35	21.56
5M	QPSK	1#0	0	0	23.21	<b>23.55</b>	23.43
		1#12	0	0	22.9	22.92	22.9
		1#24	0	0	23.43	23	23.02
		12#0	1	1	22.05	22.09	22.29
		12#6	1	1	22.09	22.08	22.08
		12#11	1	1	21.94	21.92	22.08
		25#0	1	1	22.08	22.29	22.05
	16-QAM	1#0	1	1	22.8	22.44	22.62
		1#12	1	1	22.4	21.99	22.17
		1#24	1	1	22.91	22.4	22.34
		12#0	2	2	21.26	21.27	21.52
		12#6	2	2	21.12	21.13	21.27
		12#11	2	2	21.17	21.01	21.03
		25#0	2	2	21.13	21.19	21.23

Test Bandwidth	Test Modulation	Resource Block & RB offset	Target MPR	Meas MPR	Low Channel (dBm)	Middle Channel (dBm)	High Channel (dBm)
10M	QPSK	1#0	0	0	22.78	23.04	23.36
		1#24	0	0	23.05	22.82	22.96
		1#49	0	0	23.04	22.66	22.53
		25#0	1	1	22	22.24	22.39
		25#12	1	1	22.08	22.17	22.4
		25#24	1	1	22.26	22.01	22.22
		50#0	1	1	22.11	22.07	22.3
	16-QAM	1#0	1	1	22.2	22.12	22.22
		1#24	1	1	22.46	21.86	22.06
		1#49	1	1	22.47	21.5	21.68
		25#0	2	2	21.12	21.15	21.41
		25#12	2	2	21.26	21.05	21.55
		25#24	2	2	21.38	20.9	21.42
		50#0	2	2	21.26	21.06	21.36
15M	QPSK	1#0	0	0	22.96	23.24	23.38
		1#37	0	0	23.05	22.81	23.19
		1#74	0	0	23.31	22.81	22.8
		36#0	1	1	22.04	22.23	22.6
		36#17	1	1	22.14	22.07	22.5
		36#35	1	1	22.5	21.89	22.28
		75#0	1	1	22.17	22.14	22.42
	16-QAM	1#0	1	1	22.43	22.3	22.38
		1#37	1	1	22.41	21.69	22.24
		1#74	1	1	22.62	21.84	21.81
		36#0	2	2	21.14	21.21	21.37
		36#17	2	2	21.34	21.09	21.55
		36#35	2	2	21.47	20.88	21.52
		75#0	2	2	21.35	21.03	21.53
20M	QPSK	1#0	0	0	23.22	22.32	23.19
		1#49	0	0	23.3	22.7	23.41
		1#99	0	0	23.46	22.71	22.74
		50#0	1	1	22.44	22.28	22.39
		50#24	1	1	22.44	21.98	22.37
		50#49	1	1	22.41	21.99	22.56
		100#0	1	1	22.27	22.07	22.35
	16-QAM	1#0	1	1	22.69	22.89	22.64
		1#49	1	1	22.82	22.25	22.63
		1#99	1	1	22.73	22.27	22.4
		50#0	2	2	21.5	21.3	21.44
		50#24	2	2	21.43	21.14	21.32
		50#49	2	2	21.26	21.04	21.42
		100#0	2	2	21.28	21.12	21.45

**LTE Band 4:**

Test Bandwidth	Test Modulation	Resource Block & RB offset	Target MPR	Meas MPR	Low Channel (dBm)	Middle Channel (dBm)	High Channel (dBm)
1.4M	QPSK	1#0	0	0	22.96	23.03	23.09
		1#3	0	0	23.09	23.11	23.19
		1#5	0	0	22.93	23.17	23.08
		3#0	1	1	22.93	23.07	23.17
		3#1	1	1	22.99	23.04	23.05
		3#3	1	1	22.91	23.19	23.09
		6#0	1	1	21.82	22.09	22.03
	16-QAM	1#0	1	1	22.22	22.18	22.09
		1#3	1	1	22.42	22.11	22.3
		1#5	1	1	22.28	22.06	22.12
		3#0	2	2	22.18	22.34	22.08
		3#1	2	2	22.12	22.27	22.1
		3#3	2	2	22.02	22.33	22.12
		6#0	2	2	20.71	21.27	21.21
3M	QPSK	1#0	0	0	23.09	22.97	23.12
		1#7	0	0	23	23.15	23.16
		1#14	0	0	22.98	23.13	23.05
		8#0	1	1	22.09	22.15	22.21
		8#4	1	1	22.12	22.09	22.2
		8#7	1	1	22.18	22.15	22.25
		15#0	1	1	21.96	22.04	22.11
	16-QAM	1#0	1	1	22.25	21.88	21.95
		1#7	1	1	22.25	22.11	22.05
		1#14	1	1	22.4	22.01	21.92
		8#0	2	2	21.21	21.24	21.23
		8#4	2	2	21.15	21.31	21.31
		8#7	2	2	21.21	21.19	21.18
		15#0	2	2	21.01	21.21	21.16
5M	QPSK	1#0	0	0	23.2	23.27	23.28
		1#12	0	0	23.26	23.26	23.31
		1#24	0	0	23.22	23.26	23.33
		12#0	1	1	22.15	22.12	22.24
		12#6	1	1	22.19	22.1	22.23
		12#11	1	1	22.19	22.2	22.22
		25#0	1	1	21.97	22.09	22.16
	16-QAM	1#0	1	1	22.29	22.26	22.81
		1#12	1	1	22.32	22.21	22.66
		1#24	1	1	22.33	22.26	22.65
		12#0	2	2	21.2	21.26	21.45
		12#6	2	2	21.33	21.31	21.32
		12#11	2	2	21.27	21.2	21.33
		25#0	2	2	21.07	21.15	21.14

Test Bandwidth	Test Modulation	Resource Block & RB offset	Target MPR	Meas MPR	Low Channel (dBm)	Middle Channel (dBm)	High Channel (dBm)
10M	QPSK	1#0	0	0	23.12	23.13	23.2
		1#24	0	0	23.32	23.21	23.15
		1#49	0	0	23.34	22.89	22.82
		25#0	1	1	22.15	22.03	22.21
		25#12	1	1	22.14	22.16	22.17
		25#24	1	1	22.13	22.21	22.09
		50#0	1	1	22.24	22.14	22.13
	16-QAM	1#0	1	1	22.44	22.11	22.04
		1#24	1	1	22.5	21.95	22.15
		1#49	1	1	22.71	21.81	21.99
		25#0	2	2	21.26	21.12	21.31
		25#12	2	2	21.28	21.19	21.13
		25#24	2	2	21.24	21.21	21.18
		50#0	2	2	21.14	21.23	21.02
15M	QPSK	1#0	0	0	22.79	23.1	<b>23.54</b>
		1#37	0	0	22.58	23.22	23.3
		1#74	0	0	22.8	22.89	23.24
		36#0	1	1	21.73	22.2	22.38
		36#17	1	1	21.64	22.15	22.43
		36#35	1	1	21.91	22.29	22.38
		75#0	1	1	21.9	22.2	22.4
	16-QAM	1#0	1	1	21.75	22.11	22.68
		1#37	1	1	21.66	22.13	22.68
		1#74	1	1	21.95	21.97	22.52
		36#0	2	2	20.7	21.25	21.4
		36#17	2	2	20.71	21.12	21.39
		36#35	2	2	21.01	21.28	21.55
		75#0	2	2	20.83	21.08	21.17
20M	QPSK	1#0	0	0	22.86	23.23	23.24
		1#49	0	0	22.72	23.23	22.75
		1#99	0	0	23.13	22.82	22.55
		50#0	1	1	21.87	22.09	22.15
		50#24	1	1	21.81	22.17	21.91
		50#49	1	1	22.13	22.02	21.83
		100#0	1	1	21.87	22.22	21.91
	16-QAM	1#0	1	1	22.29	22.73	22.69
		1#49	1	1	22.1	22.54	22.31
		1#99	1	1	22.48	22.53	22
		50#0	2	2	20.92	21.16	21.14
		50#24	2	2	20.99	21.07	20.92
		50#49	2	2	20.95	21.24	20.99
		100#0	2	2	20.97	21.23	21.02



**LTE Band 5:**

Test Bandwidth	Test Modulation	Resource Block & RB offset	Target MPR	Meas MPR	Low Channel (dBm)	Middle Channel (dBm)	High Channel (dBm)
1.4M	QPSK	1#0	0	0	22.24	21.15	21.35
		1#3	0	0	22.72	21.37	21.86
		1#5	0	0	21.58	22.61	22.2
		3#0	1	1	22.71	22.74	22.15
		3#1	1	1	22.55	23.04	21.18
		3#3	1	1	22.3	21.77	21.05
		6#0	1	1	22.88	22.69	23.03
	16-QAM	1#0	1	1	21.89	22.6	21.16
		1#3	1	1	22.71	21.83	22.58
		1#5	1	1	22.92	22.99	21.59
		3#0	2	2	21.51	21.95	22.89
		3#1	2	2	22.34	21	21.68
		3#3	2	2	22.89	21.14	22.72
		6#0	2	2	22.85	22.93	21.72
3M	QPSK	1#0	0	0	22.92	22.98	22.17
		1#7	0	0	21	21.7	21.3
		1#14	0	0	21.25	22.75	21.81
		8#0	1	1	22.21	21.99	22.65
		8#4	1	1	22.45	22.7	22.85
		8#7	1	1	22.06	21.65	21.17
		15#0	1	1	21.86	21.34	22.93
	16-QAM	1#0	1	1	23.03	22.26	21.92
		1#7	1	1	22.01	22.81	21.63
		1#14	1	1	22.07	21.21	22.95
		8#0	2	2	22.52	21.06	22.4
		8#4	2	2	22.65	22.35	22.62
		8#7	2	2	22.23	21.67	22.41
		15#0	2	2	22.24	21.89	21.9
5M	QPSK	1#0	0	0	22.97	21.78	22.18
		1#12	0	0	22.99	22.73	21.6
		1#24	0	0	22.87	21.63	22.9
		12#0	1	1	<b>23.11</b>	22.4	22.67
		12#6	1	1	21.73	22.67	21.27
		12#11	1	1	22.38	21.26	21.47
		25#0	1	1	21.32	22.98	22.66
	16-QAM	1#0	1	1	22.5	22.88	21.88
		1#12	1	1	22.28	22.6	21.34
		1#24	1	1	21.7	21.22	21.63
		12#0	2	2	22.67	22.21	21.33
		12#6	2	2	22.83	22.57	22.5
		12#11	2	2	22.53	21.99	22.37
		25#0	2	2	22.78	21.92	21.59

Test Bandwidth	Test Modulation	Resource Block & RB offset	Target MPR	Meas MPR	Low Channel (dBm)	Middle Channel (dBm)	High Channel (dBm)
10M	QPSK	1#0	0	0	22.06	21.58	22.19
		1#24	0	0	23.02	22.97	22.31
		1#49	0	0	21.4	22.4	22.62
		25#0	1	1	21.44	22.14	22.79
		25#12	1	1	21.77	21.59	23.02
		25#24	1	1	22.45	22.21	22.89
		50#0	1	1	21.28	22.64	21.88
	16-QAM	1#0	1	1	21.06	23.01	21.32
		1#24	1	1	22.12	22.4	21.56
		1#49	1	1	22.36	21.58	22.08
		25#0	2	2	21.34	22.57	22.87
		25#12	2	2	22.49	22.33	22.16
		25#24	2	2	22.39	22.56	22.89
		50#0	2	2	22.04	22.29	21.31

**LTE Band 7:**

Test Bandwidth	Test Modulation	Resource Block & RB offset	Target MPR	Meas MPR	Low Channel (dBm)	Middle Channel (dBm)	High Channel (dBm)
5M	QPSK	1#0	0	0	23.86	23.94	23.23
		1#12	0	0	23.53	23.5	22.7
		1#24	0	0	23.66	<b>23.99</b>	22.62
		12#0	1	1	22.53	22.61	22.19
		12#6	1	1	22.6	22.41	21.97
		12#11	1	1	22.48	22.72	21.85
		25#0	1	1	22.47	22.65	21.88
	16-QAM	1#0	1	1	22.73	22.95	22.74
		1#12	1	1	22.58	22.58	22.29
		1#24	1	1	22.63	23.12	22.38
		12#0	2	2	21.58	21.59	21.72
		12#6	2	2	21.53	21.64	21.7
		12#11	2	2	21.6	21.83	21.73
		25#0	2	2	21.52	21.62	21.59
10M	QPSK	1#0	0	0	23.22	23.32	22.77
		1#24	0	0	23.27	23.34	22.65
		1#49	0	0	23.24	23.44	22.1
		25#0	1	1	22.62	22.53	21.81
		25#12	1	1	22.48	22.56	21.93
		25#24	1	1	22.55	22.73	21.79
		50#0	1	1	22.58	22.65	21.84
	16-QAM	1#0	1	1	22.58	22.3	21.74
		1#24	1	1	22.75	22.49	21.7
		1#49	1	1	22.67	22.52	21.35
		25#0	2	2	21.54	21.73	21.08
		25#12	2	2	21.49	21.67	20.95
		25#24	2	2	21.4	21.77	20.9
		50#0	2	2	21.56	21.64	20.88
15M	QPSK	1#0	0	0	23.19	23.33	22.86
		1#37	0	0	23.25	23.27	22.76
		1#74	0	0	22.87	23.65	22.41
		36#0	1	1	22.53	22.41	21.81
		36#17	1	1	22.46	22.48	21.81
		36#35	1	1	22.35	22.85	21.89
		75#0	1	1	22.42	22.74	21.76
	16-QAM	1#0	1	1	22.22	22.33	22.52
		1#37	1	1	22.19	22.42	22.1
		1#74	1	1	22.11	22.58	22.06
		36#0	2	2	21.56	21.57	21
		36#17	2	2	21.47	21.64	21.07
		36#35	2	2	21.34	21.8	21.05
		75#0	2	2	21.47	21.66	20.93

Test Bandwidth	Test Modulation	Resource Block & RB offset	Target MPR	Meas MPR	Low Channel (dBm)	Middle Channel (dBm)	High Channel (dBm)
20M	QPSK	1#0	0	0	23.31	23.28	22.92
		1#49	0	0	23.14	23.25	22.69
		1#99	0	0	23.71	23.77	23.65
		50#0	1	1	23.41	23.71	23.54
		50#24	1	1	22.3	22.51	21.87
		50#49	1	1	22.02	22.62	22.12
		100#0	1	1	22.35	22.71	21.93
	16-QAM	1#0	1	1	22.87	22.84	22.64
		1#49	1	1	22.47	23	22.18
		1#99	1	1	22.15	23.3	21.94
		50#0	2	2	21.39	21.62	21.08
		50#24	2	2	21.3	21.64	21.04
		50#49	2	2	21.12	21.92	21.11
		100#0	2	2	21.41	21.81	20.99

**LTE Band 17:**

Test Bandwidth	Test Modulation	Resource Block & RB offset	Target MPR	Meas MPR	Low Channel (dBm)	Middle Channel (dBm)	High Channel (dBm)
5M	QPSK	1#0	0	0	24.77	24.58	24.56
		1#12	0	0	24.62	24.69	24.36
		1#24	0	0	24.67	24.59	24.34
		12#0	1	1	23.74	23.54	23.62
		12#6	1	1	23.73	23.51	23.36
		12#11	1	1	23.63	23.57	23.53
		25#0	1	1	23.63	23.46	23.57
	16-QAM	1#0	1	1	23.77	23.82	24.07
		1#12	1	1	23.68	23.7	23.92
		1#24	1	1	23.65	23.59	23.96
		12#0	2	2	22.87	22.61	22.76
		12#6	2	2	22.76	22.69	22.75
		12#11	2	2	22.64	22.57	22.8
		25#0	2	2	22.69	22.47	22.52
10M	QPSK	1#0	0	0	24.61	24.57	24.62
		1#24	0	0	24.66	24.64	24.49
		1#49	0	0	24.2	24.24	24.39
		25#0	1	1	23.52	23.61	23.61
		25#12	1	1	23.57	23.63	23.47
		25#24	1	1	23.57	23.47	23.5
		50#0	1	1	23.61	23.62	23.53
	16-QAM	1#0	1	1	23.67	23.66	23.68
		1#24	1	1	23.36	23.45	23.49
		1#49	1	1	23.31	23.29	23.55
		25#0	2	2	22.54	22.52	22.75
		25#12	2	2	22.64	22.54	22.67
		25#24	2	2	22.52	22.55	22.73
		50#0	2	2	23.72	22.61	22.73

**Note:**

- SAR for LTE band exposure configurations is measured according to the procedures of KDB 941225 D05 SAR for LTE Devices v02.
- The CMW500 Wideband Radio Communication tester is used for LTE output power measurements and SAR testing. Closed loop power control is used to keep the radio transmitters the max output power during the test.
- KDB941225D05v02- SAR for higher order modulation is required only when the highest maximum output power for the configuration in the higher order modulation is > ½ dB higher than the same configuration in QPSK or when the reported SAR for the QPSK configuration is > 1.45 W/kg

**WLAN:**

Mode	Channel frequency (MHz)	RF Output Power (dBm)
802.11b	2412	9.26
	2442	9.35
	2472	8.42
802.11g	2412	9.13
	2442	9.08
	2472	8.80
802.11n HT20	2412	9.02
	2442	9.32
	2472	8.99
802.11n HT40	2422	9.15
	2442	9.42
	2462	<b>9.44</b>

**Note:** The output power was tested under data rate 1Mbps for 802.11b, 6Mbps for 802.11g, MCS0 for 802.11n HT20 and 802.11n HT40.

**Bluetooth:**

Mode	Channel frequency (MHz)	RF Output Power (dBm)
BDR(GFSK)	2402	0.17
	2412	<b>4.79</b>
	2441	-1.83
	2461	4.62
	2480	-2.44
EDR(4-DQPSK)	2402	-0.55
	2413	3.40
	2441	-2.44
	2459	3.46
	2480	-3.07
EDR(8-DPSK)	2402	-1.95
	2414	3.40
	2441	-2.44
	2462	3.55
	2480	-2.82
Bluetooth LE	2402	<b>-6.78</b>
	2440	-8.69
	2480	-9.59

**Note:**The RF output power of BDR and EDR varies obviously among the channels, two more highest output power channel are selected to measure the true output power.

## SAR MEASUREMENT RESULTS

---

This page summarizes the results of the performed dosimetric evaluation.

### SAR Test Data

#### Environmental Conditions

<b>Temperature:</b>	22.5-23.6 °C	21.8-22.9 °C	21.5-22.3 °C	22.7-23.8 °C
<b>Relative Humidity:</b>	57 %	59 %	54 %	55 %
<b>ATM Pressure:</b>	1014 mbar	1018 mbar	1013 mbar	1012 mbar
<b>Test Date:</b>	2017/01/23	2017/01/24	2017/01/25	2017/01/26

*Testing was performed by Edison Hu, Zack Huang, Peter Lee.*

**GSM 850:**

EUT Position	Frequency (MHz)	Test Mode	Power Drift (dB)	Max. Meas. Power (dBm)	Max. Rated Power (dBm)	1g SAR (W/Kg)			
						Scaled Factor	Meas. SAR	Scaled SAR	Plot
Head Left Cheek	824.2	GSM	/	/	/	/	/	/	/
	836.6	GSM	0.11	31.49	31.8	1.074	0.178	0.19	1#
	848.8	GSM	/	/	/	/	/	/	/
Head Left Tilt	824.2	GSM	/	/	/	/	/	/	/
	836.6	GSM	0.14	31.49	31.8	1.074	0.063	0.07	2#
	848.8	GSM	/	/	/	/	/	/	/
Head Right Cheek	824.2	GSM	/	/	/	/	/	/	/
	836.6	GSM	0.14	31.49	31.8	1.074	0.112	0.12	3#
	848.8	GSM	/	/	/	/	/	/	/
Head Right Tilt	824.2	GSM	/	/	/	/	/	/	/
	836.6	GSM	-0.06	31.49	31.8	1.074	0.061	0.07	4#
	848.8	GSM	/	/	/	/	/	/	/
Body Worn Back (10mm)	824.2	GSM	/	/	/	/	/	/	/
	836.6	GSM	-0.03	31.49	31.8	1.074	0.225	0.24	5#
	848.8	GSM	/	/	/	/	/	/	/
Body Back (10mm)	824.2	GPRS	/	/	/	/	/	/	/
	836.6	GPRS	0.06	30.63	30.9	1.064	0.393	0.42	6#
	848.8	GPRS	/	/	/	/	/	/	/
Body Left (10mm)	824.2	GPRS	/	/	/	/	/	/	/
	836.6	GPRS	-0.05	30.63	30.9	1.064	0.081	0.09	7#
	848.8	GPRS	/	/	/	/	/	/	/
Body Right (10mm)	824.2	GPRS	/	/	/	/	/	/	/
	836.6	GPRS	0.14	30.63	30.9	1.064	0.060	0.06	8#
	848.8	GPRS	/	/	/	/	/	/	/
Body Bottom (10mm)	824.2	GPRS	/	/	/	/	/	/	/
	836.6	GPRS	0.16	30.63	30.9	1.064	0.034	0.04	9#
	848.8	GPRS	/	/	/	/	/	/	/

**Note:**

1. When the 1-g SAR is  $\leq 0.8$ W/Kg, testing for other channels are optional.
2. The EUT transmit and receive through the same GSM antenna while testing SAR.
3. When SAR or MPE is not measured at the maximum power level allowed for production units, the results must be scaled to the maximum tune-up tolerance limit according to the power applied to the individual channels tested to determine compliance.
4. When the maximum output power variation across the required test channels is  $> \frac{1}{2}$  dB, instead of the middle channel, the highest output power channel must be used.
5. The Multi-slot Classes of EUT is Class 12 which has maximum 4 Downlink slots and 4 Uplink slots, the maximum active slots is 5, when perform the multiple slots scan, 2DL+3UL is the worst case.



**GSM 1900:**

EUT Position	Frequency (MHz)	Test Mode	Power Drift (dB)	Max. Meas. Power (dBm)	Max. Rated Power (dBm)	1g SAR (W/Kg)			
						Scaled Factor	Meas. SAR	Scaled SAR	Plot
Head Left Cheek	1850.2	GSM	/	/	/	/	/	/	/
	1880	GSM	0.08	30.48	30.6	1.028	0.192	0.20	10#
	1909.8	GSM	/	/	/	/	/	/	/
Head Left Tilt	1850.2	GSM	/	/	/	/	/	/	/
	1880	GSM	-0.11	30.48	30.6	1.028	0.086	0.09	11#
	1909.8	GSM	/	/	/	/	/	/	/
Head Right Cheek	1850.2	GSM	/	/	/	/	/	/	/
	1880	GSM	-0.02	30.48	30.6	1.028	0.283	0.29	12#
	1909.8	GSM	/	/	/	/	/	/	/
Head Right Tilt	1850.2	GSM	/	/	/	/	/	/	/
	1880	GSM	0.08	30.48	30.6	1.028	0.072	0.07	13#
	1909.8	GSM	/	/	/	/	/	/	/
Body Worn Back (10mm)	1850.2	GSM	/	/	/	/	/	/	/
	1880	GSM	0.01	30.48	30.6	1.028	0.510	0.52	14#
	1909.8	GSM	/	/	/	/	/	/	/
Body Back (10mm)	1850.2	GPRS	/	/	/	/	/	/	/
	1880	GPRS	0.01	27.51	27.6	1.021	0.721	0.74	15#
	1909.8	GPRS	/	/	/	/	/	/	/
Body Left (10mm)	1850.2	GPRS	/	/	/	/	/	/	/
	1880	GPRS	0.08	27.51	27.6	1.021	0.220	0.22	16#
	1909.8	GPRS	/	/	/	/	/	/	/
Body Right (10mm)	1850.2	GPRS	/	/	/	/	/	/	/
	1880	GPRS	-0.05	27.51	27.6	1.021	0.272	0.28	17#
	1909.8	GPRS	/	/	/	/	/	/	/
Body Bottom (10mm)	1850.2	GPRS	/	/	/	/	/	/	/
	1880	GPRS	0.03	27.51	27.6	1.021	0.339	0.35	18#
	1909.8	GPRS	/	/	/	/	/	/	/

**Note:**

1. When the 1-g SAR is  $\leq 0.8$ W/Kg, testing for other channels are optional.
2. The EUT transmit and receive through the same GSM antenna while testing SAR.
3. When SAR or MPE is not measured at the maximum power level allowed for production units, the results must be scaled to the maximum tune-up tolerance limit according to the power applied to the individual channels tested to determine compliance.
4. When the maximum output power variation across the required test channels is  $> \frac{1}{2}$  dB, instead of the middle channel, the highest output power channel must be used.
5. The Multi-slot Classes of EUT is Class 12 which has maximum 4 Downlink slots and 4 Uplink slots, the maximum active slots is 5, when perform the multiple slots scan, 2DL+3UL is the worst case.

**WCDMA Band 2:**

EUT Position	Frequency (MHz)	Test Mode	Power Drift (dB)	Max. Meas. Power (dBm)	Max. Rated Power (dBm)	1g SAR (W/Kg)			
						Scaled Factor	Meas. SAR	Scaled SAR	Plot
Head Left Cheek	1852.4	RMC	/	/	/	/	/	/	/
	1880	RMC	-0.08	22.78	22.9	1.028	0.293	0.30	19#
	1907.6	RMC	/	/	/	/	/	/	/
Head Left Tilt	1852.4	RMC	/	/	/	/	/	/	/
	1880	RMC	-0.13	22.78	22.9	1.028	0.130	0.13	20#
	1907.6	RMC	/	/	/	/	/	/	/
Head Right Cheek	1852.4	RMC	/	/	/	/	/	/	/
	1880	RMC	0.11	22.78	22.9	1.028	0.418	0.43	21#
	1907.6	RMC	/	/	/	/	/	/	/
Head Right Tilt	1852.4	RMC	/	/	/	/	/	/	/
	1880	RMC	0.04	22.78	22.9	1.028	0.124	0.13	22#
	1907.6	RMC	/	/	/	/	/	/	/
Body Back (10mm)	1852.4	RMC	/	/	/	/	/	/	/
	1880	RMC	-0.13	22.78	22.9	1.028	0.407	0.42	23#
	1907.6	RMC	/	/	/	/	/	/	/
Body Left (10mm)	1852.4	RMC	/	/	/	/	/	/	/
	1880	RMC	0.11	22.78	22.9	1.028	0.214	0.22	24#
	1907.6	RMC	/	/	/	/	/	/	/
Body Right (10mm)	1852.4	RMC	/	/	/	/	/	/	/
	1880	RMC	-0.02	22.78	22.9	1.028	0.263	0.27	25#
	1907.6	RMC	/	/	/	/	/	/	/
Body Bottom (10mm)	1852.4	RMC	/	/	/	/	/	/	/
	1880	RMC	-0.01	22.78	22.9	1.028	0.283	0.29	26#
	1907.6	RMC	/	/	/	/	/	/	/

**WCDMA Band 4:**

EUT Position	Frequency (MHz)	Test Mode	Power Drift (dB)	Max. Meas. Power (dBm)	Max. Rated Power (dBm)	1g SAR (W/Kg)			
						Scaled Factor	Meas. SAR	Scaled SAR	Plot
Head Left Cheek	1712.4	RMC	/	/	/	/	/	/	/
	1732.6	RMC	-0.03	22.78	22.9	1.028	0.284	0.29	27#
	1752.6	RMC	/	/	/	/	/	/	/
Head Left Tilt	1712.4	RMC	/	/	/	/	/	/	/
	1732.6	RMC	0.12	22.78	22.9	1.028	0.109	0.11	28#
	1752.6	RMC	/	/	/	/	/	/	/
Head Right Cheek	1712.4	RMC	/	/	/	/	/	/	/
	1732.6	RMC	0.02	22.78	22.9	1.028	0.356	0.37	29#
	1752.6	RMC	/	/	/	/	/	/	/
Head Right Tilt	1712.4	RMC	/	/	/	/	/	/	/
	1732.6	RMC	0.08	22.78	22.9	1.028	0.097	0.10	30#
	1752.6	RMC	/	/	/	/	/	/	/
Body Back (10mm)	1712.4	RMC	/	/	/	/	/	/	/
	1732.6	RMC	-0.10	22.78	22.9	1.028	0.473	0.49	31#
	1752.6	RMC	/	/	/	/	/	/	/
Body Left (10mm)	1712.4	RMC	/	/	/	/	/	/	/
	1732.6	RMC	0.12	22.78	22.9	1.028	0.136	0.14	32#
	1752.6	RMC	/	/	/	/	/	/	/
Body Right (10mm)	1712.4	RMC	/	/	/	/	/	/	/
	1732.6	RMC	-0.05	22.78	22.9	1.028	0.262	0.27	33#
	1752.6	RMC	/	/	/	/	/	/	/
Body Bottom (10mm)	1712.4	RMC	/	/	/	/	/	/	/
	1732.6	RMC	-0.15	22.78	22.9	1.028	0.295	0.30	34#
	1752.6	RMC	/	/	/	/	/	/	/

**WCDMA Band 5:**

EUT Position	Frequency (MHz)	Test Mode	Power Drift (dB)	Max. Meas. Power (dBm)	Max. Rated Power (dBm)	1g SAR (W/Kg)			
						Scaled Factor	Meas. SAR	Scaled SAR	Plot
Head Left Cheek	826.4	RMC	/	/	/	/	/	/	/
	836.6	RMC	0.18	21.73	22.1	1.089	0.089	0.10	35#
	846.6	RMC	/	/	/	/	/	/	/
Head Left Tilt	826.4	RMC	/	/	/	/	/	/	/
	836.6	RMC	-0.08	21.73	22.1	1.089	0.029	0.03	36#
	846.6	RMC	/	/	/	/	/	/	/
Head Right Cheek	826.4	RMC	/	/	/	/	/	/	/
	836.6	RMC	0.08	21.73	22.1	1.089	0.061	0.07	37#
	846.6	RMC	/	/	/	/	/	/	/
Head Right Tilt	826.4	RMC	/	/	/	/	/	/	/
	836.6	RMC	-0.53	21.73	22.1	1.089	0.028	0.03	38#
	846.6	RMC	/	/	/	/	/	/	/
Body Back (10mm)	826.4	RMC	/	/	/	/	/	/	/
	836.6	RMC	0.08	21.73	22.1	1.089	0.214	0.23	39#
	846.6	RMC	/	/	/	/	/	/	/
Body Left (10mm)	826.4	RMC	/	/	/	/	/	/	/
	836.6	RMC	0.14	21.73	22.1	1.089	0.041	0.04	40#
	846.6	RMC	/	/	/	/	/	/	/
Body Right (10mm)	826.4	RMC	/	/	/	/	/	/	/
	836.6	RMC	0.03	21.73	22.1	1.089	0.035	0.04	41#
	846.6	RMC	/	/	/	/	/	/	/
Body Bottom (10mm)	826.4	RMC	/	/	/	/	/	/	/
	836.6	RMC	0.13	21.73	22.1	1.089	0.018	0.02	42#
	846.6	RMC	/	/	/	/	/	/	/

**Note:**

1. When the 1-g SAR is  $\leq 0.8$ W/Kg, testing for other channels are optional.
2. The EUT transmit and receive through the same antenna while testing SAR.
3. The default test configuration is to measure SAR with an established radio link between the EUT and a communication test set using a 12.2 kbps RMC (reference measurement Channel) Configured in Test Loop Model.
4. KDB 941225 D01-Body SAR is not required for HSDPA/HSUPA/HSPA+ when the maximum average output of each RF channel is less than  $\frac{1}{4}$  dB higher than measured 12.2kbps RMC or the maximum SAR for 12.2kbps RMC is  $< 75\%$  of SAR limit.
5. When SAR or MPE is not measured at the maximum power level allowed for production units, the results must be scaled to the maximum tune-up tolerance limit according to the power applied to the individual channels tested to determine compliance.

**LTE Band 2:**

EUT Position	Frequency (MHz)	Bandwidth (MHz)	Test Mode	Power Drift (dB)	Max. Meas. Power (dBm)	Max. Rated Power (dBm)	1g SAR (W/Kg)			
							Scaled Factor	Meas. SAR	Scaled SAR	Plot
Head Left Cheek	1860	20	1RB	/	/	/	/	/	/	/
	1880	20	1RB	0.07	22.32	23.6	1.343	0.226	0.30	43#
	1900	20	1RB	/	/	/	/	/	/	/
	1880	20	50%RB	0.01	22.28	23.6	1.355	0.185	0.25	44#
Head Left Tilt	1860	20	1RB	/	/	/	/	/	/	/
	1880	20	1RB	0.01	22.32	23.6	1.343	0.103	0.14	45#
	1900	20	1RB	/	/	/	/	/	/	/
	1880	20	50%RB	0.01	22.28	23.6	1.355	0.077	0.10	46#
Head Right Cheek	1860	20	1RB	/	/	/	/	/	/	/
	1880	20	1RB	0.18	22.32	23.6	1.343	0.304	0.41	47#
	1900	20	1RB	/	/	/	/	/	/	/
	1880	20	50%RB	0.01	22.28	23.6	1.355	0.238	0.32	48#
Head Right Tilt	1860	20	1RB	/	/	/	/	/	/	/
	1880	20	1RB	0.07	22.32	23.6	1.343	0.101	0.14	49#
	1900	20	1RB	/	/	/	/	/	/	/
	1880	20	50%RB	0.06	22.28	23.6	1.355	0.072	0.10	50#
Body Back (10mm)	1860	20	1RB	/	/	/	/	/	/	/
	1880	20	1RB	0.10	22.32	23.6	1.343	0.357	0.48	51#
	1900	20	1RB	/	/	/	/	/	/	/
	1880	20	50%RB	-0.02	22.28	23.6	1.355	0.257	0.35	52#
Body Left (10mm)	1860	20	1RB	/	/	/	/	/	/	/
	1880	20	1RB	0.08	22.32	23.6	1.343	0.163	0.22	53#
	1900	20	1RB	/	/	/	/	/	/	/
	1880	20	50%RB	0.02	22.28	23.6	1.355	0.115	0.16	54#
Body Right (10mm)	1860	20	1RB	/	/	/	/	/	/	/
	1880	20	1RB	-0.02	22.32	23.6	1.343	0.182	0.24	55#
	1900	20	1RB	/	/	/	/	/	/	/
	1880	20	50%RB	-0.06	22.28	23.6	1.355	0.151	0.20	56#
Body Bottom (10mm)	1860	20	1RB	/	/	/	/	/	/	/
	1880	20	1RB	-0.03	22.32	23.6	1.343	0.260	0.35	57#
	1900	20	1RB	/	/	/	/	/	/	/
	1880	20	50%RB	-0.00	22.28	23.6	1.355	0.192	0.26	58#

**LTE Band 4:**

EUT Position	Frequency (MHz)	Bandwidth (MHz)	Test Mode	Power Drift (dB)	Max. Meas. Power (dBm)	Max. Rated Power (dBm)	1g SAR (W/Kg)			
							Scaled Factor	Meas. SAR	Scaled SAR	Plot
Head Left Cheek	1720	20	1RB	/	/	/	/	/	/	/
	1732.5	20	1RB	-0.01	23.23	23.6	1.089	0.255	0.28	59#
	1745	20	1RB	/	/	/	/	/	/	/
	1732.5	20	50%RB	0.14	22.17	23.6	1.390	0.217	0.30	60#
Head Left Tilt	1720	20	1RB	/	/	/	/	/	/	/
	1732.5	20	1RB	0.03	23.23	23.6	1.089	0.100	0.11	61#
	1745	20	1RB	/	/	/	/	/	/	/
	1732.5	20	50%RB	-0.04	22.17	23.6	1.390	0.079	0.11	62#
Head Right Cheek	1720	20	1RB	/	/	/	/	/	/	/
	1732.5	20	1RB	0.10	23.23	23.6	1.089	0.369	0.40	63#
	1745	20	1RB	/	/	/	/	/	/	/
	1732.5	20	50%RB	0.03	22.17	23.6	1.390	0.309	0.43	64#
Head Right Tilt	1720	20	1RB	/	/	/	/	/	/	/
	1732.5	20	1RB	0.07	23.23	23.6	1.089	0.102	0.11	65#
	1745	20	1RB	/	/	/	/	/	/	/
	1732.5	20	50%RB	0.17	22.17	23.6	1.390	0.080	0.11	66#
Body Back (10mm)	1720	20	1RB	/	/	/	/	/	/	/
	1732.5	20	1RB	0.07	23.23	23.6	1.089	0.378	0.41	67#
	1745	20	1RB	/	/	/	/	/	/	/
	1732.5	20	50%RB	-0.06	22.17	23.6	1.390	0.313	0.44	68#
Body Left (10mm)	1720	20	1RB	/	/	/	/	/	/	/
	1732.5	20	1RB	-0.13	23.23	23.6	1.089	0.151	0.16	69#
	1745	20	1RB	/	/	/	/	/	/	/
	1732.5	20	50%RB	-0.03	22.17	23.6	1.390	0.120	0.17	70#
Body Right (10mm)	1720	20	1RB	/	/	/	/	/	/	/
	1732.5	20	1RB	-0.00	23.23	23.6	1.089	0.224	0.24	71#
	1745	20	1RB	/	/	/	/	/	/	/
	1732.5	20	50%RB	-0.03	22.17	23.6	1.390	0.185	0.26	72#
Body Bottom (10mm)	1720	20	1RB	/	/	/	/	/	/	/
	1732.5	20	1RB	-0.03	23.23	23.6	1.089	0.312	0.34	73#
	1745	20	1RB	/	/	/	/	/	/	/
	1732.5	20	50%RB	-0.06	22.17	23.6	1.390	0.248	0.34	74#

**LTE Band 5:**

EUT Position	Frequency (MHz)	Bandwidth (MHz)	Test Mode	Power Drift (dB)	Max. Meas. Power (dBm)	Max. Rated Power (dBm)	1g SAR (W/Kg)			
							Scaled Factor	Meas. SAR	Scaled SAR	Plot
Head Left Cheek	829	10	1RB	/	/	/	/	/	/	/
	836.5	10	1RB	-0.13	22.97	23.2	1.054	0.084	0.09	75#
	844	10	1RB	/	/	/	/	/	/	/
	836.5	10	50%RB	-0.01	22.21	23.2	1.256	0.068	0.09	76#
Head Left Tilt	829	10	1RB	/	/	/	/	/	/	/
	836.5	10	1RB	-0.03	22.97	23.2	1.054	0.032	0.03	77#
	844	10	1RB	/	/	/	/	/	/	/
	836.5	10	50%RB	-0.18	22.21	23.2	1.256	0.024	0.03	78#
Head Right Cheek	829	10	1RB	/	/	/	/	/	/	/
	836.5	10	1RB	-0.03	22.97	23.2	1.054	0.067	0.07	79#
	844	10	1RB	/	/	/	/	/	/	/
	836.5	10	50%RB	0.19	22.21	23.2	1.256	0.053	0.07	80#
Head Right Tilt	829	10	1RB	/	/	/	/	/	/	/
	836.5	10	1RB	-0.29	22.97	23.2	1.054	0.034	0.04	81#
	844	10	1RB	/	/	/	/	/	/	/
	836.5	10	50%RB	-0.08	22.21	23.2	1.256	0.025	0.03	82#
Body Back (10mm)	829	10	1RB	/	/	/	/	/	/	/
	836.5	10	1RB	-0.05	22.97	23.2	1.054	0.206	0.22	83#
	844	10	1RB	/	/	/	/	/	/	/
	836.5	10	50%RB	-0.08	22.21	23.2	1.256	0.171	0.21	84#
Body Left (10mm)	829	10	1RB	/	/	/	/	/	/	/
	836.5	10	1RB	0.15	22.97	23.2	1.054	0.032	0.03	85#
	844	10	1RB	/	/	/	/	/	/	/
	836.5	10	50%RB	-0.13	22.21	23.2	1.256	0.022	0.03	86#
Body Right (10mm)	829	10	1RB	/	/	/	/	/	/	/
	836.5	10	1RB	-0.06	22.97	23.2	1.054	0.036	0.04	87#
	844	10	1RB	/	/	/	/	/	/	/
	836.5	10	50%RB	-0.18	22.21	23.2	1.256	0.024	0.03	88#
Body Bottom (10mm)	829	10	1RB	/	/	/	/	/	/	/
	836.5	10	1RB	-0.16	22.97	23.2	1.054	0.017	0.02	89#
	844	10	1RB	/	/	/	/	/	/	/
	836.5	10	50%RB	0.11	22.21	23.2	1.256	0.012	0.02	90#

**LTE Band 7:**

EUT Position	Frequency (MHz)	Bandwidth (MHz)	Test Mode	Power Drift (dB)	Max. Meas. Power (dBm)	Max. Rated Power (dBm)	1g SAR (W/Kg)			
							Scaled Factor	Meas. SAR	Scaled SAR	Plot
Head Left Cheek	2510	20	1RB	/	/	/	/	/	/	/
	2535	20	1RB	1.03	23.77	24	1.054	0.123	0.13	91#
	2560	20	1RB	/	/	/	/	/	/	/
	2535	20	50%RB	0.03	23.71	24	1.069	0.103	0.11	92#
Head Left Tilt	2510	20	1RB	/	/	/	/	/	/	/
	2535	20	1RB	0.18	23.77	24	1.054	0.094	0.1	93#
	2560	20	1RB	/	/	/	/	/	/	/
	2535	20	50%RB	0.02	23.71	24	1.069	0.08	0.09	94#
Head Right Cheek	2510	20	1RB	/	/	/	/	/	/	/
	2535	20	1RB	0.15	23.77	24	1.054	0.223	0.24	95#
	2560	20	1RB	/	/	/	/	/	/	/
	2535	20	50%RB	0.18	23.71	24	1.069	0.192	0.21	96#
Head Right Tilt	2510	20	1RB	/	/	/	/	/	/	/
	2535	20	1RB	0.14	23.77	24	1.054	0.065	0.07	97#
	2560	20	1RB	/	/	/	/	/	/	/
	2535	20	50%RB	0.08	23.71	24	1.069	0.052	0.06	98#
Body Back (10mm)	2510	20	1RB	0.07	23.71	24	1.069	1.26	1.35	99#
	2535	20	1RB	-0.17	23.77	24	1.054	1.21	1.28	100#
	2560	20	1RB	0.15	23.65	24	1.084	1.09	1.18	101#
	2510	20	50%RB	0.19	23.71	24	1.069	0.694	0.74	102#
Body Left (10mm)	2510	20	1RB	/	/	/	/	/	/	/
	2535	20	1RB	-0.09	23.77	24	1.054	0.058	0.06	103#
	2560	20	1RB	/	/	/	/	/	/	/
	2535	20	50%RB	-0.07	23.71	24	1.069	0.051	0.05	104#
Body Right (10mm)	2510	20	1RB	/	/	/	/	/	/	/
	2535	20	1RB	0.14	23.77	24	1.054	0.088	0.09	105#
	2560	20	1RB	/	/	/	/	/	/	/
	2535	20	50%RB	-0.12	23.71	24	1.069	0.088	0.09	106#
Body Bottom (10mm)	2510	20	1RB	-0.03	23.71	24	1.069	0.886	0.95	107#
	2535	20	1RB	-0.01	23.77	24	1.054	0.877	0.92	108#
	2560	20	1RB	-0.18	23.65	24	1.084	0.714	0.77	109#
	2510	20	50%RB	0.02	23.71	24	1.069	0.61	0.65	110#



**LTE Band 17:**

EUT Position	Frequency (MHz)	Bandwidth (MHz)	Test Mode	Power Drift (dB)	Max. Meas. Power (dBm)	Max. Rated Power (dBm)	1g SAR (W/Kg)			
							Scaled Factor	Meas. SAR	Scaled SAR	Plot
Head Left Cheek	709	10	1RB	/	/	/	/	/	/	/
	710	10	1RB	-0.20	24.64	24.8	1.038	0.042	0.04	111#
	711	10	1RB	/	/	/	/	/	/	/
	710	10	50%RB	-0.11	23.63	24.8	1.309	0.036	0.05	112#
Head Left Tilt	709	10	1RB	/	/	/	/	/	/	/
	710	10	1RB	0.04	24.64	24.8	1.038	0.022	0.02	113#
	711	10	1RB	/	/	/	/	/	/	/
	710	10	50%RB	1.25	23.63	24.8	1.309	0.018	0.02	114#
Head Right Cheek	709	10	1RB	/	/	/	/	/	/	/
	710	10	1RB	1.68	24.64	24.8	1.038	0.056	0.06	115#
	711	10	1RB	/	/	/	/	/	/	/
	710	10	50%RB	1.68	23.63	24.8	1.309	0.043	0.06	116#
Head Right Tilt	709	10	1RB	/	/	/	/	/	/	/
	710	10	1RB	0.96	24.64	24.8	1.038	0.034	0.04	117#
	711	10	1RB	/	/	/	/	/	/	/
	710	10	50%RB	0.81	23.63	24.8	1.309	0.027	0.04	118#
Body Back (10mm)	709	10	1RB	/	/	/	/	/	/	/
	710	10	1RB	-0.09	24.64	24.8	1.038	0.443	0.46	119#
	711	10	1RB	/	/	/	/	/	/	/
	710	10	50%RB	-0.13	23.63	24.8	1.309	0.365	0.48	120#
Body Left (10mm)	709	10	1RB	/	/	/	/	/	/	/
	710	10	1RB	0.09	24.64	24.8	1.038	0.026	0.03	121#
	711	10	1RB	/	/	/	/	/	/	/
	710	10	50%RB	-0.10	23.63	24.8	1.309	0.022	0.03	122#
Body Right (10mm)	709	10	1RB	/	/	/	/	/	/	/
	710	10	1RB	0.14	24.64	24.8	1.038	0.033	0.03	123#
	711	10	1RB	/	/	/	/	/	/	/
	710	10	50%RB	-0.04	23.63	24.8	1.309	0.039	0.05	124#
Body Bottom (10mm)	709	10	1RB	/	/	/	/	/	/	/
	710	10	1RB	-0.10	24.64	24.8	1.038	0.317	0.33	125#
	711	10	1RB	/	/	/	/	/	/	/
	710	10	50%RB	-0.06	23.63	24.8	1.309	0.258	0.34	126#

**Note:**

1. When the 1-g SAR is  $\leq 0.8\text{W/Kg}$ , testing for other channels are optional.
2. SAR for LTE band exposure configurations is measured according to the procedures of KDB 941225 D05 SAR for LTE Devices v02.
3. KDB941225D05-SAR for higher order modulation is required only when the highest maximum output power for the configuration in the higher order modulation is  $> \frac{1}{2}$  dB higher than the same configuration in QPSK or when the reported SAR for the QPSK configuration is  $> 1.45\text{ W/kg}$
4. KDB941225D05-For QPSK with 100% RB allocation, when the reported SAR measured for the Highest output power channel is  $< 1.45\text{ W/kg}$ , tests for the remaining required test channels are optional.
5. KDB941225D05- For QPSK with 100% RB allocation, SAR is not required when the highest maximum output power for 100 % RB allocation is less than the highest maximum output power in 50% and 1 RB allocations and the highest reported SAR for 1 RB and 50% RB allocation are  $\leq 0.8\text{ W/kg}$ .
6. KDB941225D05- Start with the largest channel bandwidth and measure SAR for QPSK with 1 RB allocation, using the RB offset and required test channel combination with the highest maximum output power among RB offset the upper edge, middle and lower edge of each required test channel.
7. KDB941225D05- other channel bandwidths SAR test is required when the highest maximum output power of a configuration requiring testing in the smaller channel bandwidth is  $> \frac{1}{2}$  dB higher than the equivalent channel configurations in the largest channel bandwidth configuration or the reported SAR of a configuration for the largest channel bandwidth is  $> 1.45\text{ W/kg}$ .
8. Worst case SAR for 50% RB allocation is selected to be tested.
9. KDB 648474 D04-When the peak SAR located in regions that probe is unable to access, a flat phantom is used for SAR measurement.

## SAR Measurement Variability

In accordance with published RF Exposure KDB procedure 865664 D01 SAR measurement 100 MHz to 6 GHz v01. These additional measurements are repeated after the completion of all measurements requiring the same head or body tissue-equivalent medium in a frequency band. The test device should be returned to ambient conditions (normal room temperature) with the battery fully charged before it is re-mounted on the device holder for the repeated measurement(s) to minimize any unexpected variations in the repeated results

- 1) Repeated measurement is not required when the original highest measured SAR is < 0.80 W/kg.
- 2) When the original highest measured SAR is  $\geq 0.80$  W/kg, repeat that measurement once.
- 3) Perform a second repeated measurement only if the ratio of largest to smallest SAR for the original and first repeated measurements is > 1.20 or when the original or repeated measurement is  $\geq 1.45$  W/kg (~ 10% from the 1-g SAR limit).
- 4) Perform a third repeated measurement only if the original, first or second repeated measurement is  $\geq 1.5$  W/kg and the ratio of largest to smallest SAR for the original, first and second repeated measurements is > 1.20.

### The Highest Measured SAR Configuration in Each Frequency Band

#### Head

Frequency Band	Freq.(MHz)	EUT Position	Meas. SAR (W/kg)		Largest to Smallest SAR Ratio
			Original	Repeated	
/	/	/	/	/	/

#### Body

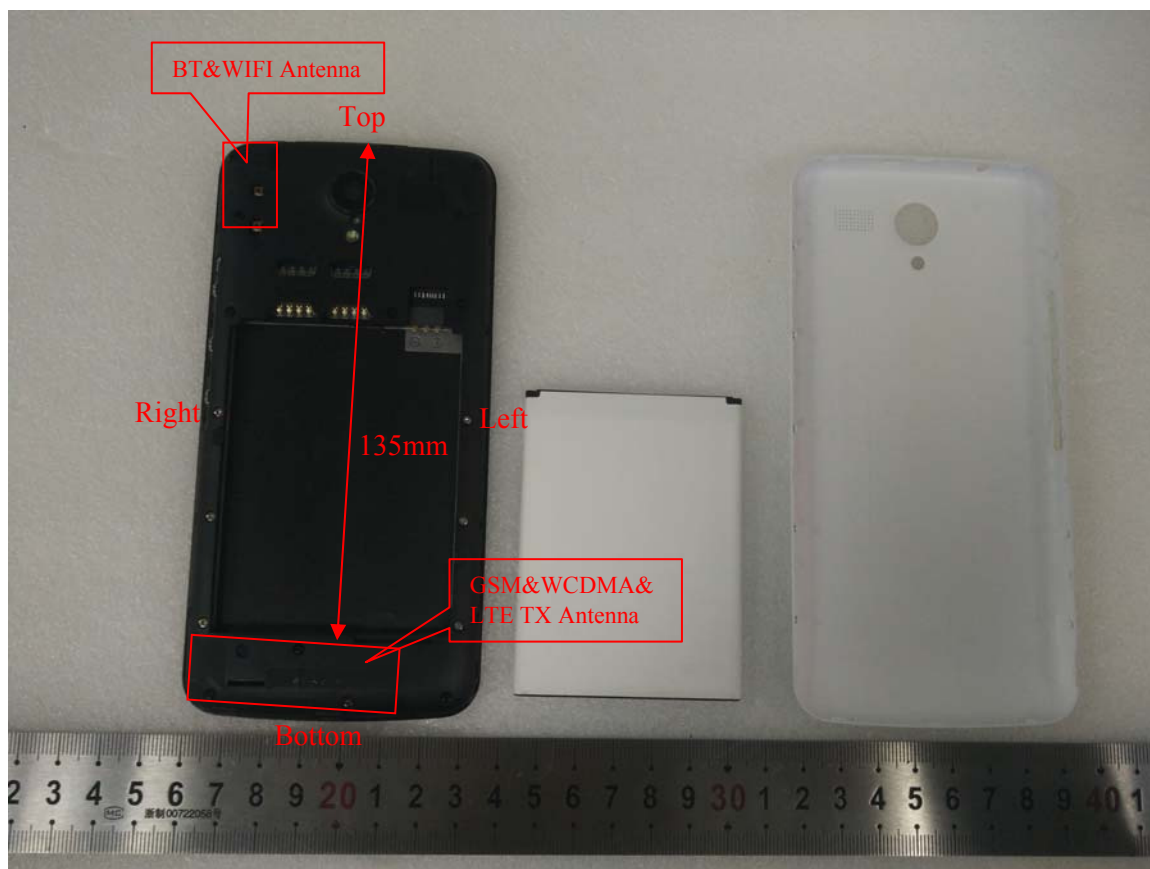
Frequency Band	Freq.(MHz)	EUT Position	Meas. SAR (W/kg)		Largest to Smallest SAR Ratio
			Original	Repeated	
(2500-2700MHz) LTE Band 7	2510	Body Back	1.26	1.19	<b>1.06</b>

#### Note:

1. Second Repeated Measurement is not required since the ratio of the largest to smallest SAR for the original and first repeated measurement is not > 1.20.
2. The measured SAR results **do not** have to be scaled to the maximum tune-up tolerance to determine if repeated measurements are required.
3. SAR measurement variability must be assessed for each frequency band, which is determined by the **SAR probe calibration point and tissue-equivalent medium** used for the device measurements..

## SAR SIMULTANEOUS TRANSMISSION DESCRIPTION

### Antennas Location:



### Simultaneous Transmission:

Description of Simultaneous Transmit Capabilities		
Transmitter Combination	Simultaneous?	Hotspot?
GSM + WCDMA	×	×
GSM+LTE	×	×
GSM + Bluetooth	√	×
GSM + WLAN	√	√
WCDMA+LTE	×	×
WCDMA + Bluetooth	√	×
WCDMA + WLAN	√	√
LTE + Bluetooth	√	×
LTE + WLAN	√	√

**Standalone SAR test exclusion considerations**

Mode	Frequency (MHz)	Pavg (dBm)	Pavg (mW)	Distance (mm)	Calculated value	Threshold (1-g)	SAR Test Exclusion
WLAN	2472	9.5	8.91	0	2.8	3	YES
Bluetooth	2480	5	3.16	0	1.0	3	YES

**NOTE:**

The 1-g and 10-g SAR test exclusion thresholds for 100 MHz to 6 GHz at test separation distances ≤ 50 mm are determined by:

$$[(\text{max. power of channel, including tune-up tolerance, mW}) / (\text{min. test separation distance, mm})] \cdot$$

$$[\sqrt{f(\text{GHz})}] \leq 3.0 \text{ for 1-g SAR and } \leq 7.5 \text{ for 10-g extremity SAR, where}$$

1. f(GHz) is the RF channel transmit frequency in GHz.
2. Power and distance are rounded to the nearest mW and mm before calculation.
3. The result is rounded to one decimal place for comparison.
4. When the minimum test separation distance is < 5 mm, a distance of 5 mm is applied to determine SAR test Exclusion.

**Standalone SAR estimation:**

Mode	Frequency (MHz)	Pavg (dBm)	Pavg (mW)	Distance (mm)	Estimated 1-g (W/kg)
WLAN Head	2472	9.5	8.91	0	0.37
WLAN Body	2472	9.5	8.91	10	0.19
BT Head	2480	5	3.16	0	0.13
BT Body	2480	5	3.16	10	0.07

When standalone SAR test exclusion applies to an antenna that transmits simultaneously with other antennas, the standalone SAR must be estimated according to following to determine simultaneous transmission SAR test exclusion:

$$[(\text{max. power of channel, including tune-up tolerance, mW}) / (\text{min. test separation distance, mm})] \cdot$$

$$[\sqrt{f(\text{GHz})/x}]$$

W/kg for test separation distances ≤ 50 mm;

where x = 7.5 for 1-g SAR.

When the minimum test separation distance is < 5 mm, a distance of 5 mm is applied to determine SAR test Exclusion

**Simultaneous and Hotspot SAR test exclusion considerations:**

Mode(SAR1+SAR2)	Position	Reported SAR(W/kg)		ΣSAR < 1.6W/kg
		SAR1	SAR2	
GSM 850+Bluetooth	Head Left Cheek	0.19	0.13	0.32
	Head Left Tilt	0.07	0.13	0.2
	Head Right Cheek	0.12	0.13	0.25
	Head Right Tilt	0.07	0.13	0.2
	Body Worn Back	0.24	0.13	0.37
	Body Back	0.42	0.07	0.49
	Body Left	0.09	0.07	0.16
	Body Right	0.06	0.07	0.13
	Body Bottom	0.04	0.07	0.11
PCS1900 +Bluetooth	Head Left Cheek	0.2	0.13	0.33
	Head Left Tilt	0.09	0.13	0.22
	Head Right Cheek	0.29	0.13	0.42
	Head Right Tilt	0.07	0.13	0.2
	Body Worn Back	0.52	0.13	0.65
	Body Back	0.74	0.07	0.81
	Body Left	0.22	0.07	0.29
	Body Right	0.28	0.07	0.35
	Body Bottom	0.35	0.07	0.42
WCDMA Band 2+Bluetooth	Head Left Cheek	0.3	0.13	0.43
	Head Left Tilt	0.13	0.13	0.26
	Head Right Cheek	0.43	0.13	0.56
	Head Right Tilt	0.13	0.13	0.26
	Body Back	0.42	0.07	0.49
	Body Left	0.22	0.07	0.29
	Body Right	0.27	0.07	0.34
	Body Bottom	0.29	0.07	0.36
WCDMA Band 4+Bluetooth	Head Left Cheek	0.29	0.13	0.42
	Head Left Tilt	0.11	0.13	0.24
	Head Right Cheek	0.37	0.13	0.5
	Head Right Tilt	0.1	0.13	0.23
	Body Back	0.49	0.07	0.56
	Body Left	0.14	0.07	0.21
	Body Right	0.27	0.07	0.34
	Body Bottom	0.3	0.07	0.37
WCDMA Band 5+Bluetooth	Head Left Cheek	0.1	0.13	0.23
	Head Left Tilt	0.03	0.13	0.16
	Head Right Cheek	0.07	0.13	0.2
	Head Right Tilt	0.03	0.13	0.16
	Body Worn Back	0.23	0.07	0.3
	Body Back	0.04	0.07	0.11
	Body Left	0.04	0.07	0.11
	Body Right	0.02	0.07	0.09
Body Bottom	0.1	0.13	0.23	

Mode(SAR1+SAR2)	Position	Reported SAR(W/kg)		ΣSAR < 1.6W/kg
		SAR1	SAR2	
LTE Band 2+Bluetooth	Head Left Cheek	0.3	0.13	0.43
	Head Left Tilt	0.14	0.13	0.27
	Head Right Cheek	0.41	0.13	0.54
	Head Right Tilt	0.14	0.13	0.27
	Body Back	0.48	0.07	0.55
	Body Left	0.22	0.07	0.29
	Body Right	0.24	0.07	0.31
	Body Bottom	0.35	0.07	0.42
LTE Band 4+Bluetooth	Head Left Cheek	0.3	0.13	0.43
	Head Left Tilt	0.11	0.13	0.24
	Head Right Cheek	0.43	0.13	0.56
	Head Right Tilt	0.11	0.13	0.24
	Body Back	0.44	0.07	0.51
	Body Left	0.17	0.07	0.24
	Body Right	0.26	0.07	0.33
	Body Bottom	0.34	0.07	0.41
LTE Band 5+Bluetooth	Head Left Cheek	0.09	0.13	0.22
	Head Left Tilt	0.03	0.13	0.16
	Head Right Cheek	0.07	0.13	0.2
	Head Right Tilt	0.04	0.13	0.17
	Body Back	0.22	0.07	0.29
	Body Left	0.03	0.07	0.1
	Body Right	0.04	0.07	0.11
	Body Bottom	0.02	0.07	0.09
LTE Band 7+Bluetooth	Head Left Cheek	0.13	0.13	0.26
	Head Left Tilt	0.1	0.13	0.23
	Head Right Cheek	0.24	0.13	0.37
	Head Right Tilt	0.07	0.13	0.2
	Body Back	1.35	0.07	1.42
	Body Left	0.06	0.07	0.13
	Body Right	0.09	0.07	0.16
	Body Bottom	0.95	0.07	1.02
LTE Band 17+Bluetooth	Head Left Cheek	0.05	0.13	0.18
	Head Left Tilt	0.02	0.13	0.15
	Head Right Cheek	0.06	0.13	0.19
	Head Right Tilt	0.04	0.13	0.17
	Body Back	0.48	0.07	0.55
	Body Left	0.03	0.07	0.1
	Body Right	0.05	0.07	0.12
	Body Bottom	0.34	0.07	0.41

Mode(SAR1+SAR2)	Position	Reported SAR(W/kg)		ΣSAR < 1.6W/kg
		SAR1	SAR2	
GSM 850+ WLAN	Head Left Cheek	0.19	0.37	0.56
	Head Left Tilt	0.07	0.37	0.44
	Head Right Cheek	0.12	0.37	0.49
	Head Right Tilt	0.07	0.37	0.44
	Body Worn Back	0.24	0.19	0.43
GPRS 850 + WLAN (Hotspot)	Body Back	0.42	0.19	0.61
	Body Left	0.09	0.19	0.28
	Body Right	0.06	0.19	0.25
	Body Bottom	0.04	0.19	0.23
PCS1900 + WLAN	Head Left Cheek	0.2	0.37	0.57
	Head Left Tilt	0.09	0.37	0.46
	Head Right Cheek	0.29	0.37	0.66
	Head Right Tilt	0.07	0.37	0.44
	Body Worn Back	0.52	0.19	0.71
GPRS 1900 + WLAN (Hotspot)	Body Back	0.74	0.19	0.93
	Body Left	0.22	0.19	0.41
	Body Right	0.28	0.19	0.47
	Body Bottom	0.35	0.19	0.54
WCDMA Band 2+ WLAN	Head Left Cheek	0.3	0.37	0.67
	Head Left Tilt	0.13	0.37	0.5
	Head Right Cheek	0.43	0.37	0.8
	Head Right Tilt	0.13	0.37	0.5
WCDMA Band 2+ WLAN (Hotspot)	Body Back	0.42	0.19	0.61
	Body Left	0.22	0.19	0.41
	Body Right	0.27	0.19	0.46
	Body Bottom	0.29	0.19	0.48
WCDMA Band 4+ WLAN	Head Left Cheek	0.29	0.37	0.66
	Head Left Tilt	0.11	0.37	0.48
	Head Right Cheek	0.37	0.37	0.74
	Head Right Tilt	0.1	0.37	0.47
WCDMA Band 4+ WLAN (Hotspot)	Body Back	0.49	0.19	0.68
	Body Left	0.14	0.19	0.33
	Body Right	0.27	0.19	0.46
	Body Bottom	0.3	0.19	0.49
WCDMA Band 5+ WLAN	Head Left Cheek	0.1	0.37	0.47
	Head Left Tilt	0.03	0.37	0.4
	Head Right Cheek	0.07	0.37	0.44
	Head Right Tilt	0.03	0.37	0.4
WCDMA Band 5+ WLAN (Hotspot)	Body Back	0.23	0.19	0.42
	Body Left	0.04	0.19	0.23
	Body Right	0.04	0.19	0.23
	Body Bottom	0.02	0.19	0.21



Mode(SAR1+SAR2)	Position	Reported SAR(W/kg)		$\Sigma$ SAR < 1.6W/kg
		SAR1	SAR2	
LTE Band 2+ WLAN	Head Left Cheek	0.3	0.37	0.67
	Head Left Tilt	0.14	0.37	0.51
	Head Right Cheek	0.41	0.37	0.78
	Head Right Tilt	0.14	0.37	0.51
LTE Band 2+ WLAN (Hotspot)	Body Back	0.48	0.19	0.67
	Body Left	0.22	0.19	0.41
	Body Right	0.24	0.19	0.43
	Body Bottom	0.35	0.19	0.54
LTE Band 4+ WLAN	Head Left Cheek	0.3	0.37	0.67
	Head Left Tilt	0.11	0.37	0.48
	Head Right Cheek	0.43	0.37	<b>0.8</b>
	Head Right Tilt	0.11	0.37	0.48
LTE Band 4+ WLAN (Hotspot)	Body Back	0.44	0.19	0.63
	Body Left	0.17	0.19	0.36
	Body Right	0.26	0.19	0.45
	Body Bottom	0.34	0.19	0.53
LTE Band 5+ WLAN	Head Left Cheek	0.09	0.37	0.46
	Head Left Tilt	0.03	0.37	0.4
	Head Right Cheek	0.07	0.37	0.44
	Head Right Tilt	0.04	0.37	0.41
LTE Band 5+ WLAN (Hotspot)	Body Back	0.22	0.19	0.41
	Body Left	0.03	0.19	0.22
	Body Right	0.04	0.19	0.23
	Body Bottom	0.02	0.19	0.21
LTE Band 7+ WLAN	Head Left Cheek	0.13	0.37	0.5
	Head Left Tilt	0.1	0.37	0.47
	Head Right Cheek	0.24	0.37	0.61
	Head Right Tilt	0.07	0.37	0.44
LTE Band 7+ WLAN (Hotspot)	Body Back	1.35	0.19	<b>1.54</b>
	Body Left	0.06	0.19	0.25
	Body Right	0.09	0.19	0.28
	Body Bottom	0.95	0.19	1.14
LTE Band 17+ WLAN	Head Left Cheek	0.05	0.37	0.42
	Head Left Tilt	0.02	0.37	0.39
	Head Right Cheek	0.06	0.37	0.43
	Head Right Tilt	0.04	0.37	0.41
LTE Band 17+ WLAN (Hotspot)	Body Back	0.48	0.19	0.67
	Body Left	0.03	0.19	0.22
	Body Right	0.05	0.19	0.24
	Body Bottom	0.34	0.19	0.53

**Note:**

1. Hotspot mode SAR is only required for the edges within 25mm from the transmitting antenna located.
2. Hotspot Mode is not feasible during voice calls.

**Conclusion:**

Sum of SAR:  $\Sigma$  SAR < 1.6 W/kg, simultaneous transmission SAR with Volume Scans is **not required**.

## **SAR Plots**

---

**Please Refer to the Attachment.**

## APPENDIX A MEASUREMENT UNCERTAINTY

The uncertainty budget has been determined for the measurement system and is given in the following Table.

Measurement uncertainty evaluation for IEEE1528-2013 SAR test

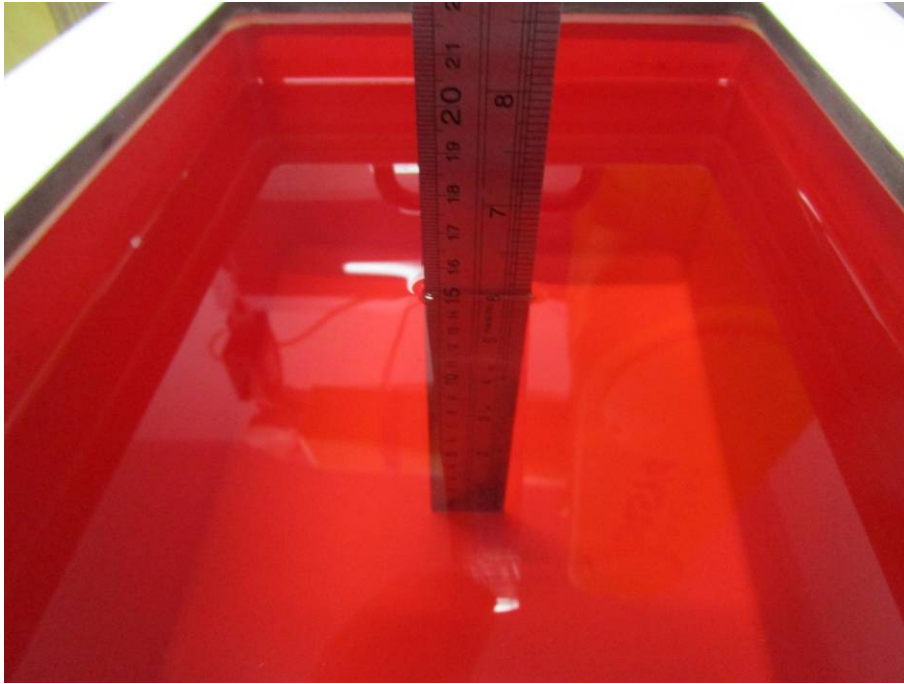
Source of uncertainty	Tolerance/uncertainty ± %	Probability distribution	Divisor	ci (1 g)	ci (10 g)	Standard uncertainty ± %, (1 g)	Standard uncertainty ± %, (10 g)
<b>Measurement system</b>							
Probe calibration	6.55	N	1	1	1	6.6	6.6
Axial Isotropy	4.7	R	√3	1	1	2.7	2.7
Hemispherical Isotropy	9.6	R	√3	0	0	0.0	0.0
Boundary effect	1.0	R	√3	1	1	0.6	0.6
Linearity	4.7	R	√3	1	1	2.7	2.7
Detection limits	1.0	R	√3	1	1	0.6	0.6
Readout electronics	0.3	N	1	1	1	0.3	0.3
Response time	0.0	R	√3	1	1	0.0	0.0
Integration time	0.0	R	√3	1	1	0.0	0.0
RF ambient conditions – noise	1.0	R	√3	1	1	0.6	0.6
RF ambient conditions–reflections	1.0	R	√3	1	1	0.6	0.6
Probe positioner mech. Restrictions	0.8	R	√3	1	1	0.5	0.5
Probe positioning with respect to phantom shell	6.7	R	√3	1	1	3.9	3.9
Post-processing	2.0	R	√3	1	1	1.2	1.2
<b>Test sample related</b>							
Test sample positioning	2.8	N	1	1	1	2.8	2.8
Device holder uncertainty	6.3	N	1	1	1	6.3	6.3
Drift of output power	5.0	R	√3	1	1	2.9	2.9
<b>Phantom and set-up</b>							
Phantom uncertainty (shape and thickness tolerances)	4.0	R	√3	1	1	2.3	2.3
Liquid conductivity target)	5.0	R	√3	0.64	0.43	1.8	1.2
Liquid conductivity meas.)	2.5	N	1	0.64	0.43	1.6	1.1
Liquid permittivity target)	5.0	R	√3	0.6	0.49	1.7	1.4
Liquid permittivity meas.)	2.5	N	1	0.6	0.49	1.5	1.2
Combined standard uncertainty		RSS				12.2	12.0
Expanded uncertainty 95 % confidence interval)						24.3	23.9

Measurement uncertainty evaluation for IEC62209-2 SAR test

Source of uncertainty	Tolerance/uncertainty ± %	Probability distribution	Divisor	ci (1 g)	ci (10 g)	Standard uncertainty ± %, (1 g)	Standard uncertainty ± %, (10 g)
<b>Measurement system</b>							
Probe calibration	6.55	N	1	1	1	6.6	6.6
Axial Isotropy	4.7	R	√3	1	1	2.7	2.7
Hemispherical Isotropy	9.6	R	√3	0	0	0.0	0.0
Linearity	4.7	R	√3	1	1	2.7	2.7
Modulation Response	0.0	R	√3	1	1	0.0	0.0
Detection limits	1.0	R	√3	1	1	0.6	0.6
Boundary effect	1.0	R	√3	1	1	0.6	0.6
Readout electronics	0.3	N	1	1	1	0.3	0.3
Response time	0.0	R	√3	1	1	0.0	0.0
Integration time	0.0	R	√3	1	1	0.0	0.0
RF ambient conditions – noise	1.0	R	√3	1	1	0.6	0.6
RF ambient conditions–reflections	1.0	R	√3	1	1	0.6	0.6
Probe positioner mech. Restrictions	0.8	R	√3	1	1	0.5	0.5
Probe positioning with respect to phantom shell	6.7	R	√3	1	1	3.9	3.9
Post-processing	2.0	R	√3	1	1	1.2	1.2
<b>Test sample related</b>							
Device holder Uncertainty	6.3	N	1	1	1	6.3	6.3
Test sample positioning	2.8	N	1	1	1	2.8	2.8
Power scaling	4.5	R	√3	1	1	2.6	2.6
Drift of output power	5.0	R	√3	1	1	2.9	2.9
<b>Phantom and set-up</b>							
Phantom uncertainty (shape and thickness tolerances)	4.0	R	√3	1	1	2.3	2.3
Algorithm for correcting SAR for deviations in permittivity and conductivity	1.9	N	1	1	0.84	1.1	0.9
Liquid conductivity (meas.)	2.5	N	1	0.64	0.43	1.6	1.1
Liquid permittivity (meas.)	2.5	N	1	0.6	0.49	1.5	1.2
Temp. unc. - Conductivity	1.7	R	√3	0.78	0.71	0.8	0.7
Temp. unc. - Permittivity	0.3	R	√3	0.23	0.26	0.0	0.0
Combined standard uncertainty		RSS				12.2	12.1
Expanded uncertainty 95 % confidence interval)						24.5	24.2

## APPENDIX B EUT TEST POSITION PHOTOS

Liquid depth  $\geq$  15cm



Body(Worn) Back Setup Photo(10mm)



**Body Left Setup Photo(10mm)**



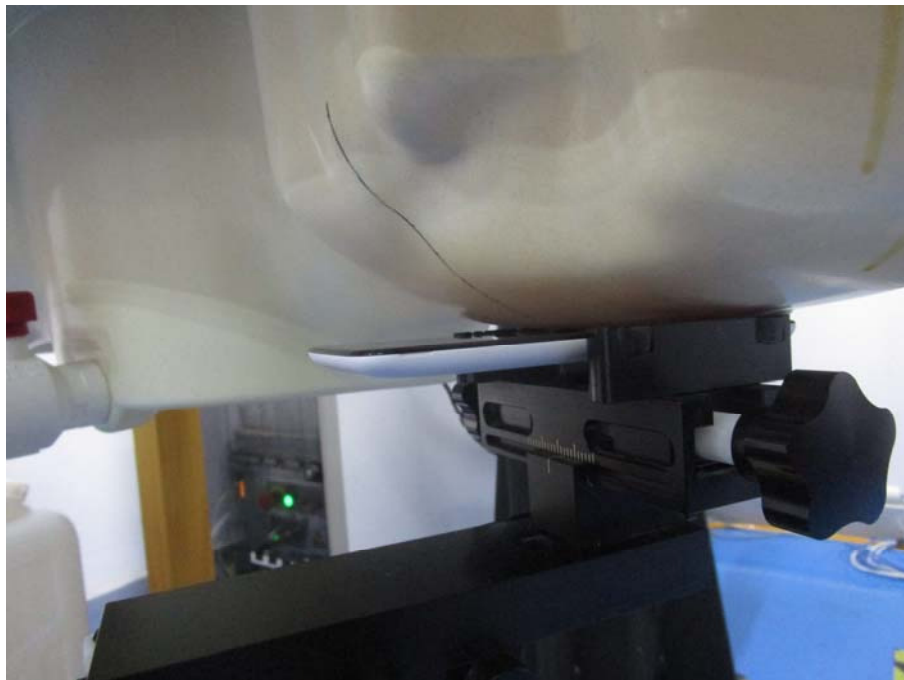
**Body Right Setup Photo(10mm)**



**Body Bottom Setup Photo(10mm)**



**Head Left Cheek Setup Photo**





**Head Left Tilt Setup Photo**

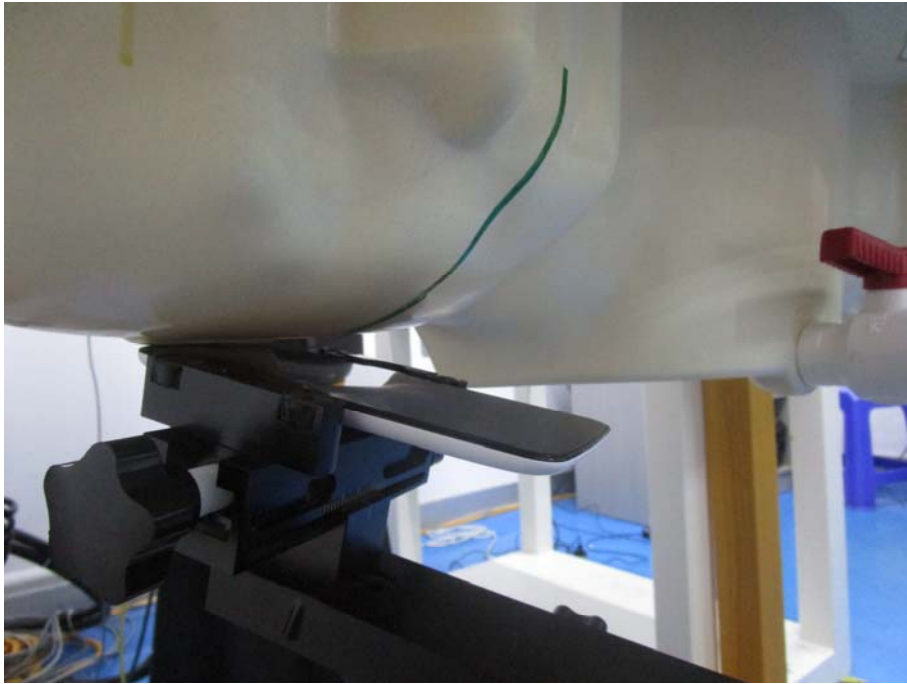


**Head Right Cheek Setup Photo**





**Head Right Tilt Setup Photo**



## **APPENDIX C CALIBRATION CERTIFICATES**

---

**Please Refer to the Attachment.**

**\*\*\*\*\* END OF REPORT \*\*\*\*\***