

Antenna Test Report

SHENZHEN KURUIJIE

Customer: 财富
Project: WS607

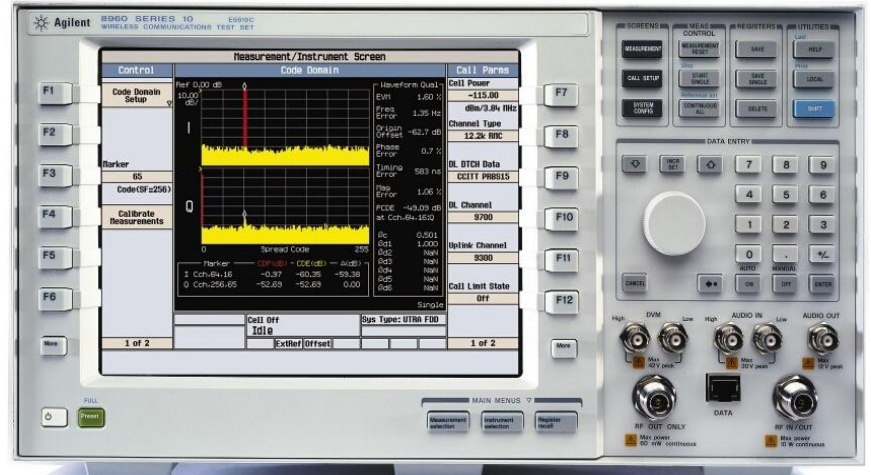
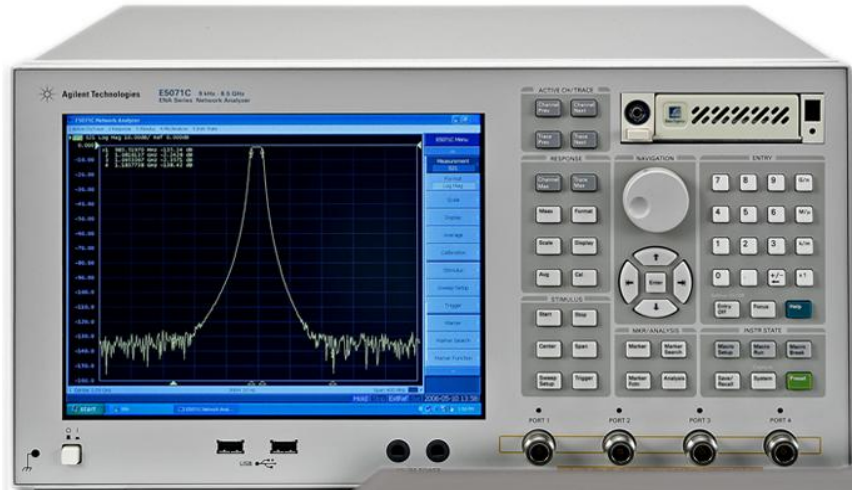
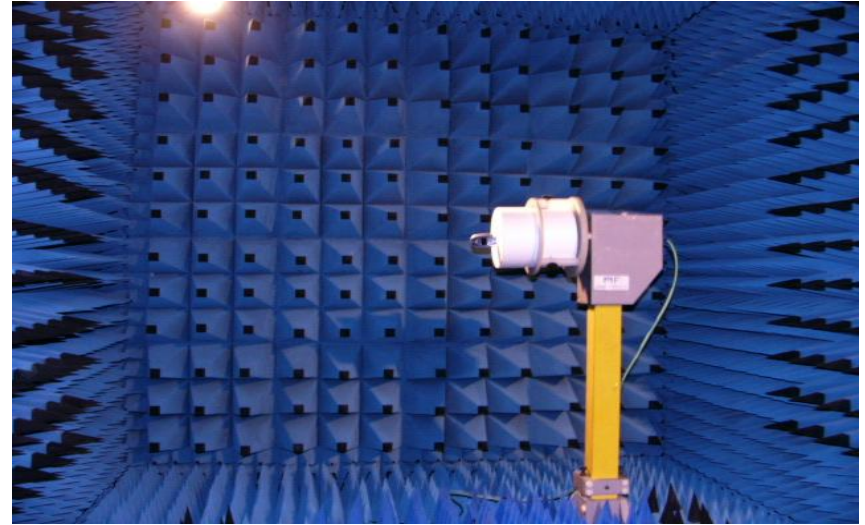
RF Engineer: 安增侠
Testing Date: 2023.10.09

Index:

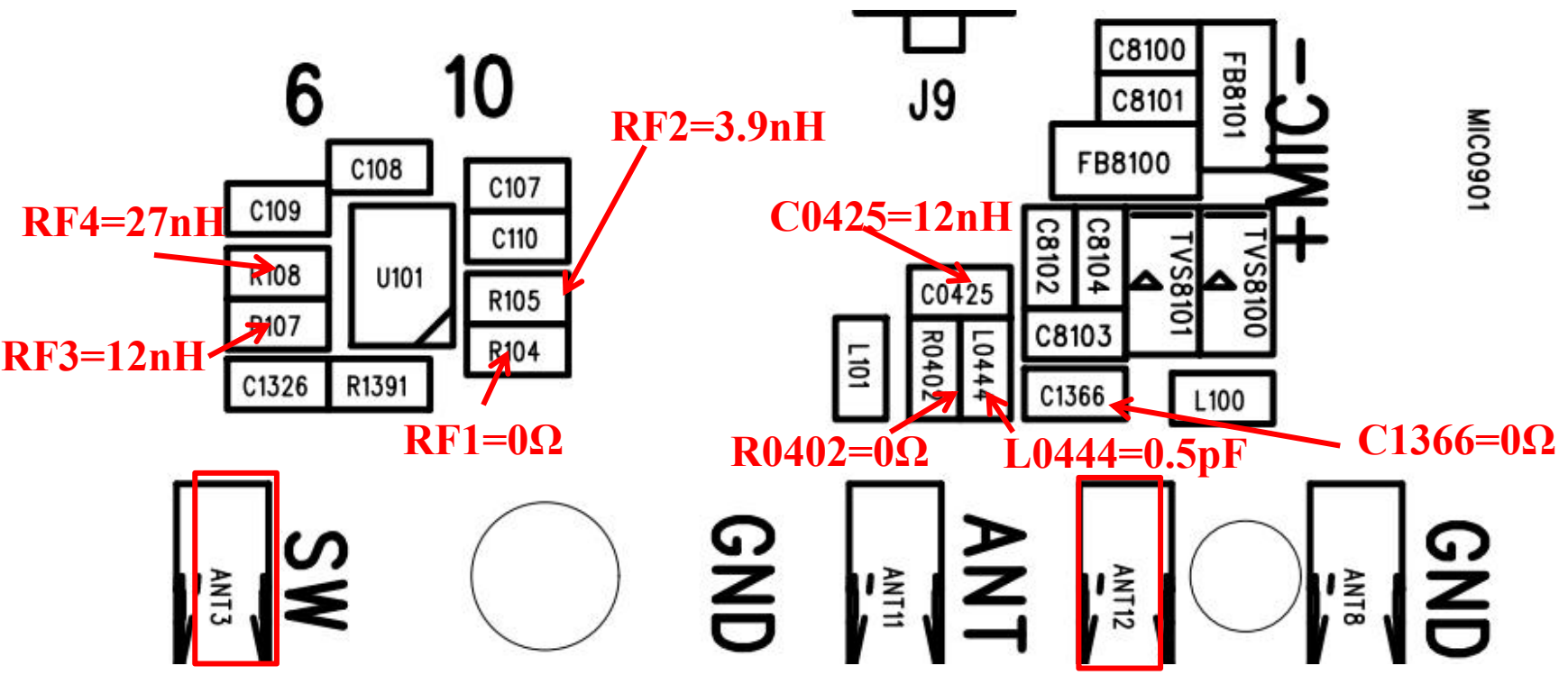
- 1. Testing Item & Equipments**
- 2. Matching Circuits**
- 3. Environmental Disposal**
- 4. Test Data**

1. The Equipment of Active Test

- 1: Anechoic Chamber 7x4x3 m (3D)
- 2: Rohde & Schwarz CMW500
- 3: AGILENT 8960 5515C
- 4: Network Analyzer-AGILENT ENA5071B

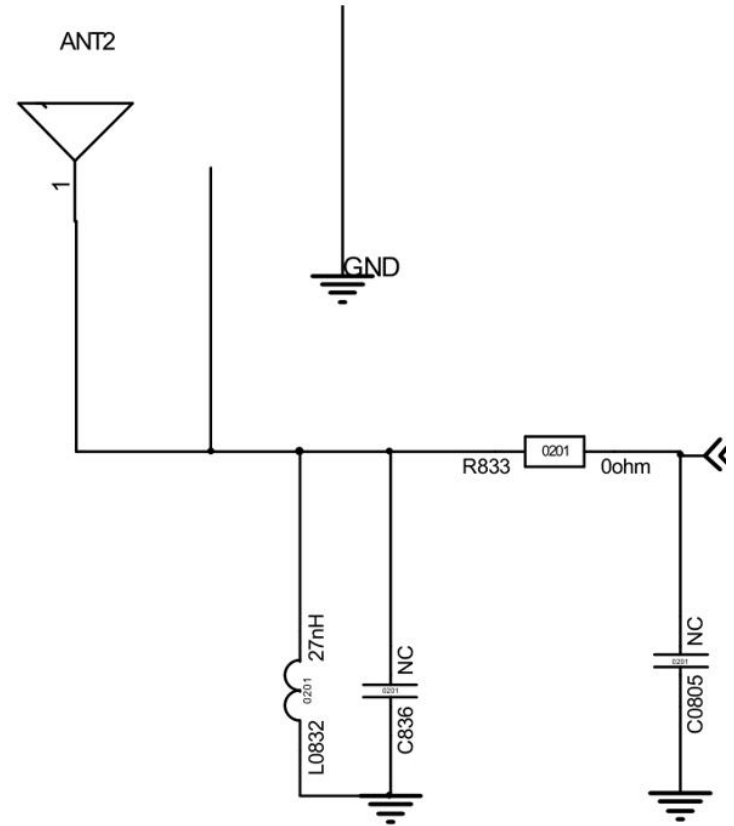
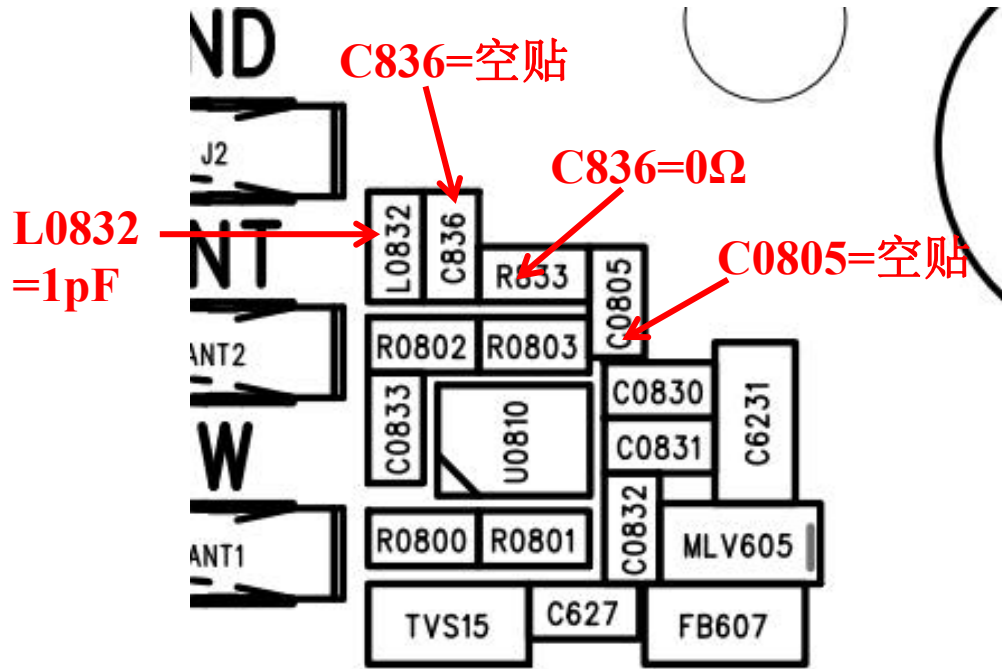


2. Matching Circuits-下天线



下天线开关匹配逻辑	开关路径	匹配值	2G频率	3G频率	4G频率
	RF1=R104	0Ω	900	W8	B8
	RF2=R105	3.9nH	850	W5	B5
	RF3=R107	12nH			B12/17
	RF4=R108	27nH			B71

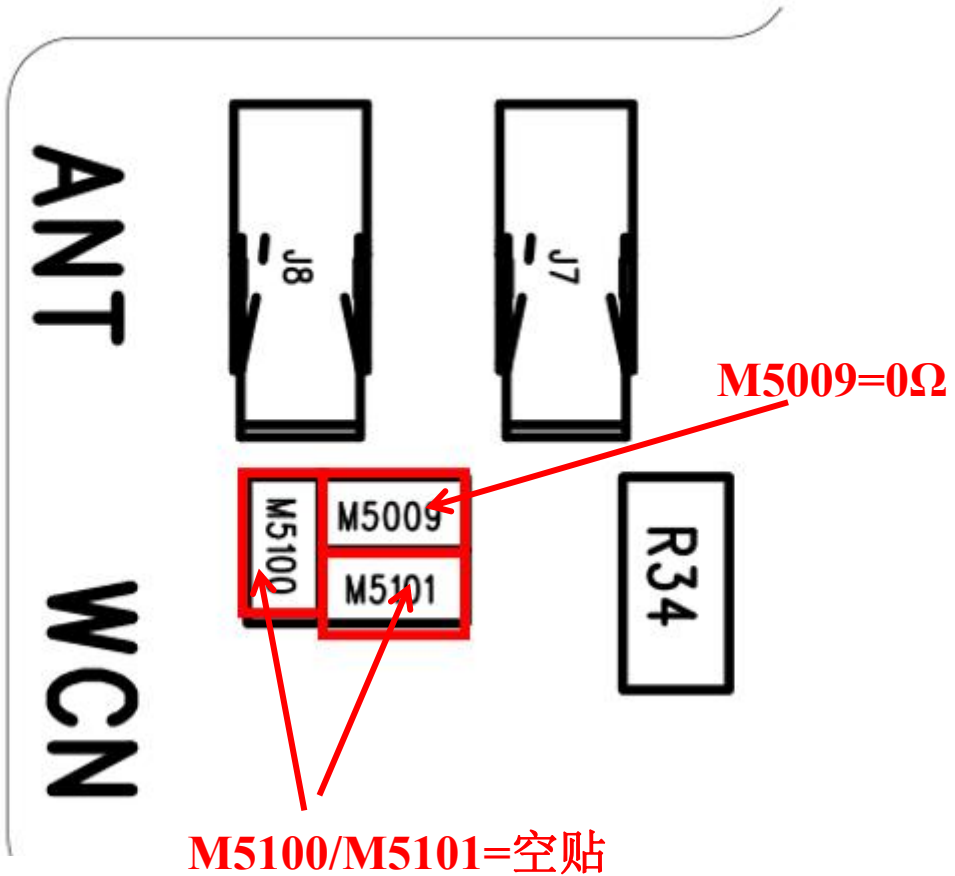
3. Matching Circuits-上天线



主天线在上天线 频段	2G	GSM1800/1900
	3G	W2
	4G	B2/4/66/41

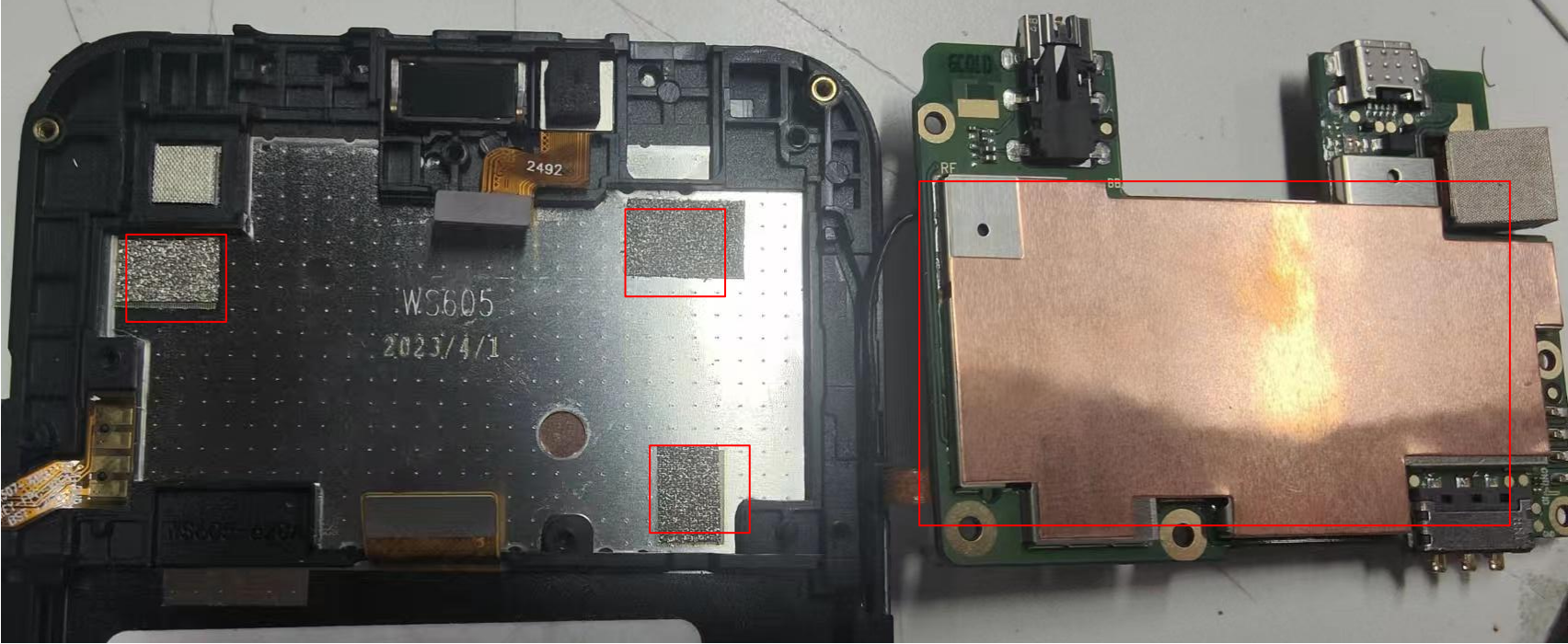
主天线在上天线时，分集在下天线RF1端口

4. Matching Circuits-三合一天线

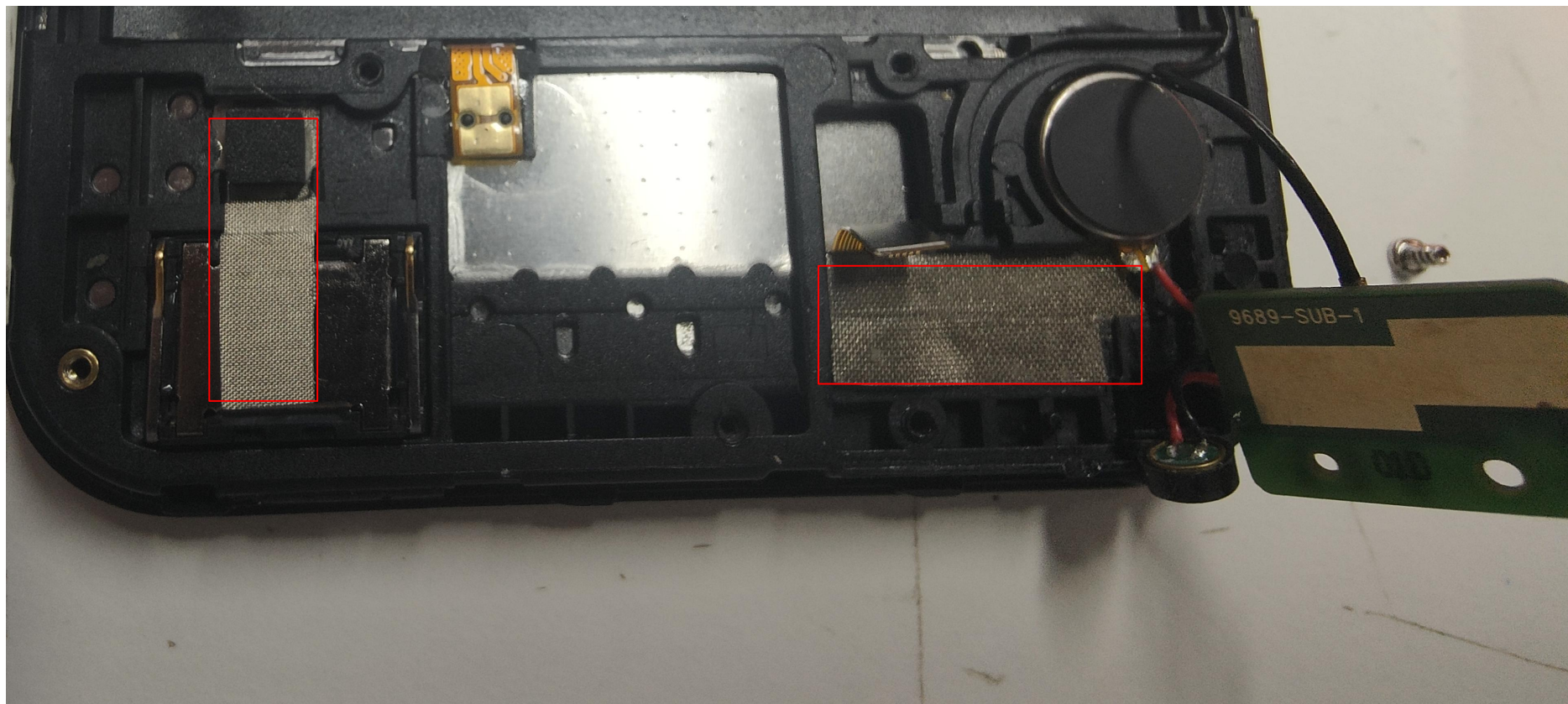


5. Environmental Disposal

原整机接地不变



原整机接地不变



6. Test Data 1#机器

	GSM850			GSM900		
	CH128	CH190	CH251	CH1	CH62	CH124
TRP	26.9	27.4	28.1	26.8	27.0	27.2
TIS(红色为亮屏TIS)			-104.1 -103.0			-102.3 -101.1
	DCS1800			PCS1900		
	CH512	CH698	CH885	CH512	CH661	CH810
TRP	25.1	25.3	25.5	25.4	25.5	25.7
TIS(红色为亮屏TIS)			-105.2 -104.8			-105.4 -104.7

	WCDMA 2			WCDMA 5		
	9662	9800	9938	4357	4408	4458
TRP	17.7	18.0	18.2	17.8	17.4	17.0
TIS(红色为亮屏TIS)			-105.8 -105.1			-103.5 -102.2

	WCDMA 8		
	2712	2788	2863
TRP	17.5	16.7	17.0
TIS(红色为亮屏TIS)			-103.5 -102.1

	Band2			Band4		
	18650	18900	19150	20000	20175	20350
TRP	17.6	17.7	17.8	17.8	17.9	18.0
TIS(红色为亮屏TIS)			-92.5 -92.1			-92.7 -92.3

	LTE Band5			LTE Band12		
	20450	20525	20600	23060	23095	23130
TRP	18.2	18.3	17.8	17.6	17.8	17.9
TIS(红色为亮屏TIS)			-92.0 -90.8			-93.1 -91.9

	LTE Band17			LTE Band 66 (10M)		
	23780	23790	23800	132022	132322	132622
TRP	17.7	17.8	18.0	18.3	18.1	17.8
TIS(红色为亮屏TIS)			-93.0 -91.7			-92.5 -92.1

	LTE Band71 (20M)			LTE Band41 (20M)		
	133172	133297	133422	40340	40620	41140
TRP	16.8	17.0	17.1	21.6	21.2	21.0
TIS(红色为亮屏TIS)			-90.4 -89.0		-90.7 -89.9	

6. Test Data 2#机器

	GSM850			GSM900		
	CH128	CH190	CH251	CH1	CH62	CH124
TRP	26.8	27.3	28.1	26.4	26.8	27.0
TIS(红色为亮屏TIS)			-104.2			-102.4
	DCS1800			PCS1900		
	CH512	CH698	CH885	CH512	CH661	CH810
TRP	25.0	25.2	25.5	25.7	25.43	25.2
TIS(红色为亮屏TIS)			-104.9			-105.3
	WCDMA 2			WCDMA 5		
	9662	9800	9938	4357	4408	4458
TRP	17.9	18.1	18.2	17.2	17.2	17.4
TIS(红色为亮屏TIS)			-105.5			-103.5

	WCDMA 8		
	2712	2788	2863
TRP	17.2	17.1	17.3
TIS(红色为亮屏TIS)			-103.3

	Band2			Band4		
	18650	18900	19150	20000	20175	20350
TRP	17.7	17.65	17.6	18.2	18.1	17.8
TIS(红色为亮屏TIS)			-92.4			-92.4

	LTE Band5			LTE Band12		
	20450	20525	20600	23060	23095	23130
TRP	18.4	18.1	17.5	17.8	17.8	18.1
TIS(红色为亮屏TIS)			-91.8			-92.8

	LTE Band17			LTE Band 66 (10M)		
	23780	23790	23800	132022	132322	132622
TRP	18.2	18.1	17.8	18.5	18.3	17.9
TIS(红色为亮屏TIS)			-92.7			-92.8

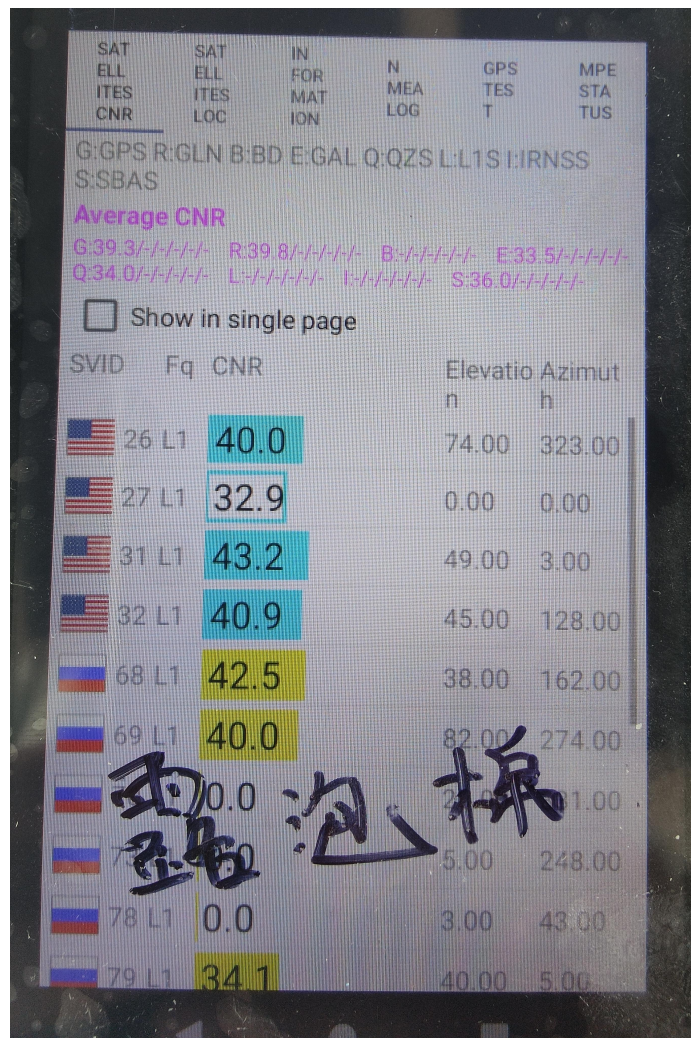
	LTE Band71 (20M)			LTE Band41 (20M)		
	133172	133297	133422	40340	40620	41140
TRP	17.0	17.2	17.4	21.4	21.2	21.1
TIS(红色为亮屏TIS)			-90.3		-90.1	

7. GPS / WIFI / BT

GPS实测报告

位置	测试结果
我司2楼	冷启动 60 秒定位,最大 CN 值 43

	WIFI2.4(B/11M)		
	1	7	13
TRP	12.4	12.3	12.6
TIS	-81.18	-80.1	-81.32
	WIFI5G(A/54M)		
	36	64	165
TRP	11.82	10.28	12.01
TIS	-71.02	-71.34	-71.77



8.天线增益

WS607 antenna info.			
	Band	Frequency (MHZ)	Max Gain (Dbi)
RF antenna	GSM850	824-894	0.2
	GSM900	880-960	0.2
	DCS1800	1710-1880	0.8
	PCS1900	1850-1990	0.8
	W1900	1850-1990	0.8
	W900	880-960	0.2
	W850	824-894	0.2
	LTE-B2	1850-1990	0.8
	LTE-B4	1710-2155	0.8
	LTE-B5	824-894	0.2
	LTE-B12	699-746	-0.3
	LTE-B17	704-746	-0.3
	LTE-B41	2496-2690	1.0
	LTE-B66	1710-2200	0.8
	LTE-B71	663-698	-0.5
WIFI/BT/GPS antenna	WIFI2. 4G/BT	2400-2500	0.8
	WIFI5. 8G	5150-5850	1.0
	GPS	1575	0.7