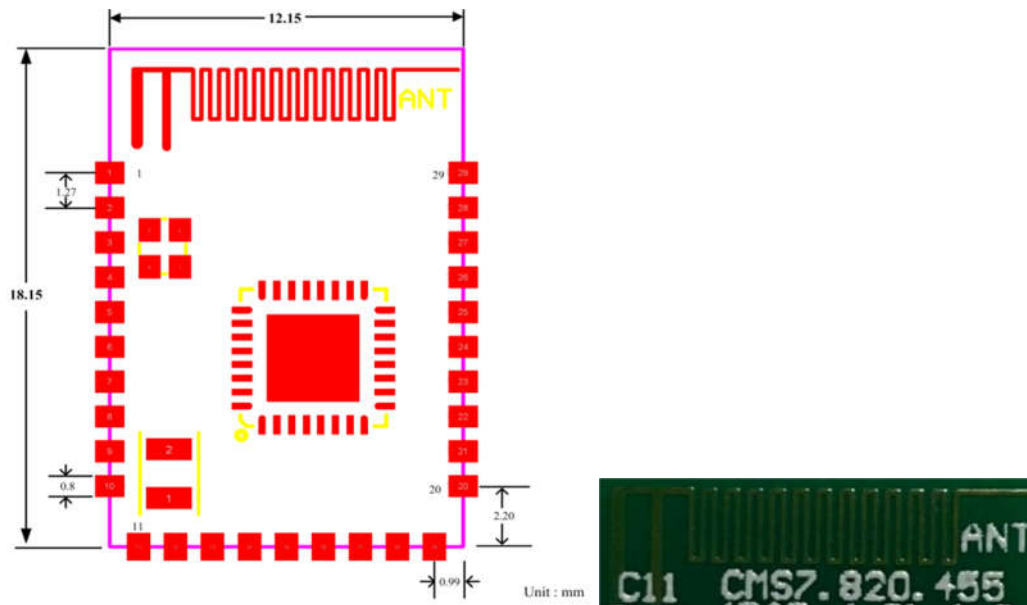
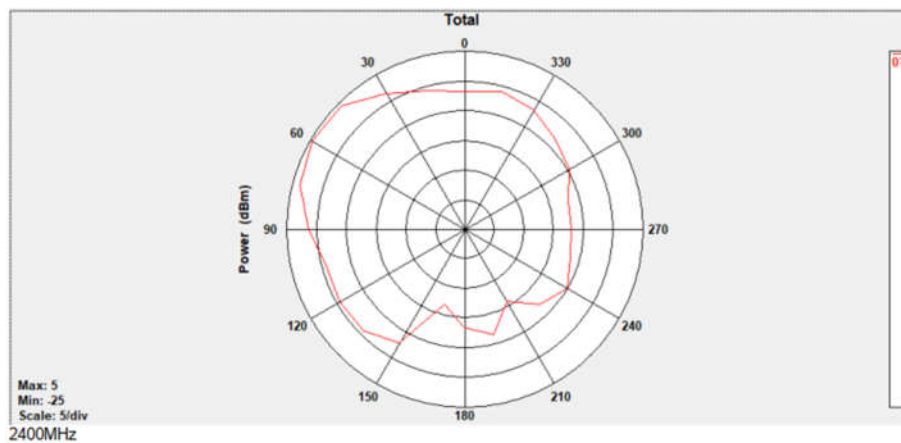


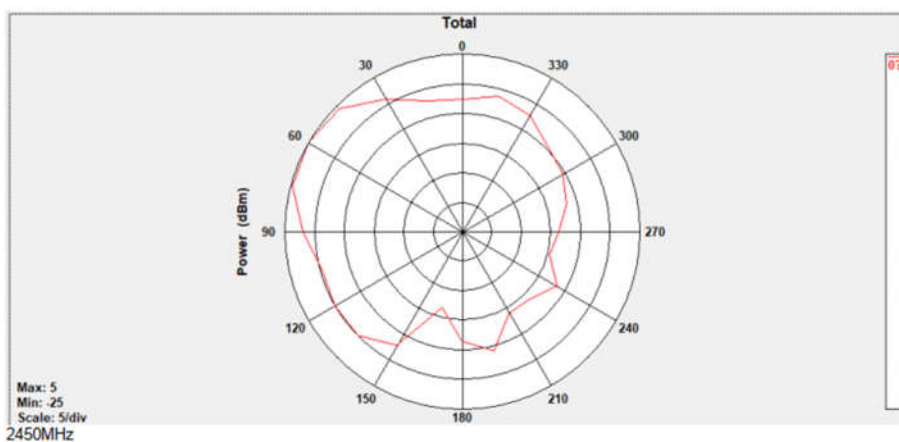
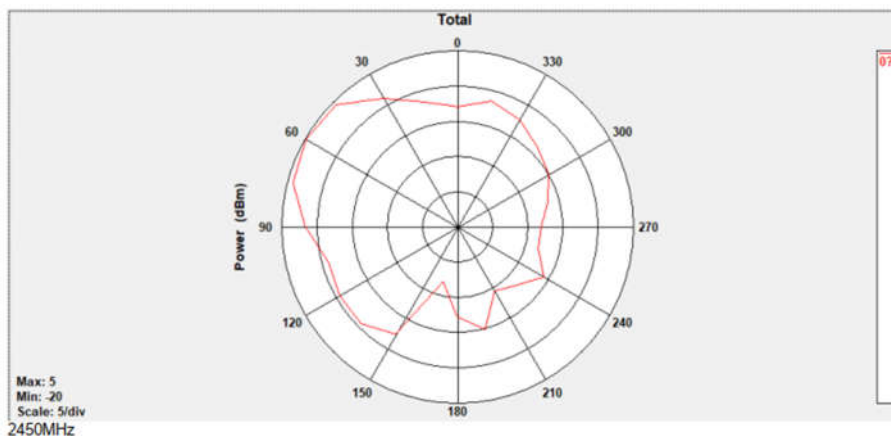
1. Antenna Specification

Item	Specification
Working Frequency Range	2.4-2.5GHz
Max Gain	0dBi
VSWR	2.0 Max
Polarization	Linear
Type	PCB
Impedance	50Ω



2. Pattern Plots





	ZX Plane		ZY Plane		XY Plane	
	Peak Gain (dBi)	efficiency	Peak Gain (dBi)	efficiency	Peak Gain (dBi)	efficiency
2400MHz	-0.003	77.00	-0.001	77.46	-0.001	76.48
2450MHz	0.000	77.39	0.000	77.55	0.000	76.33
2500MHz	-0.001	76.26	-0.004	77.04	-0.001	74.11

Note: the antenna Gain simple calculate as below:

- Passive Antenna Gain(dBi)= Pattern Test value(dBm) – Power to Antenna(dBm)
Power to Antenna(dBm)= SG Power(dBm)-Cable loss(dB)