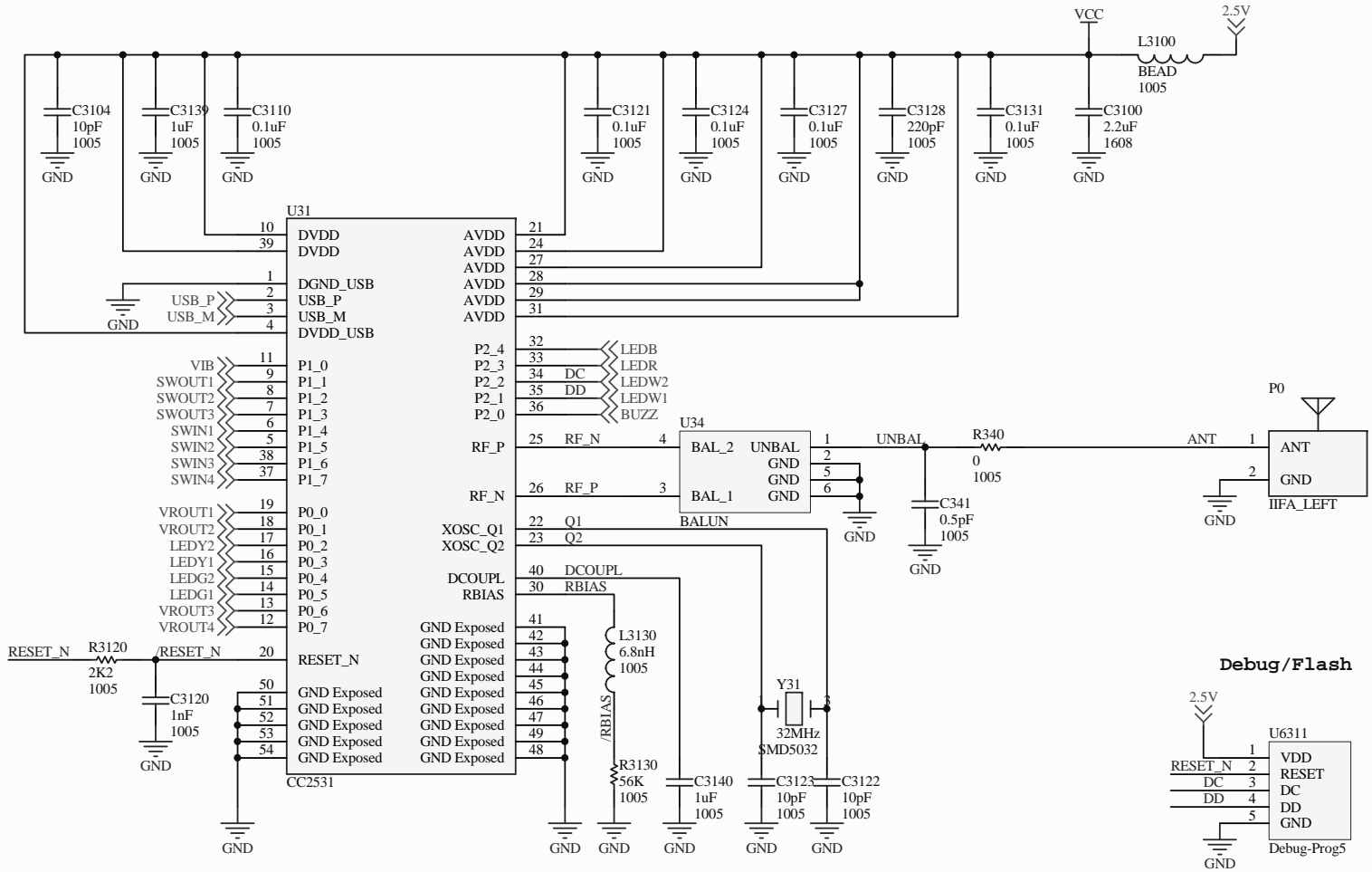
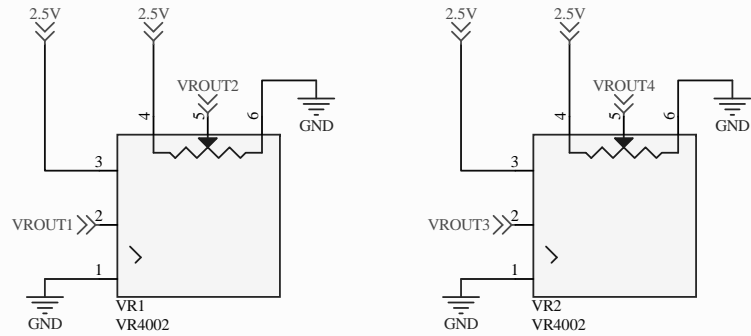


Microcontroller

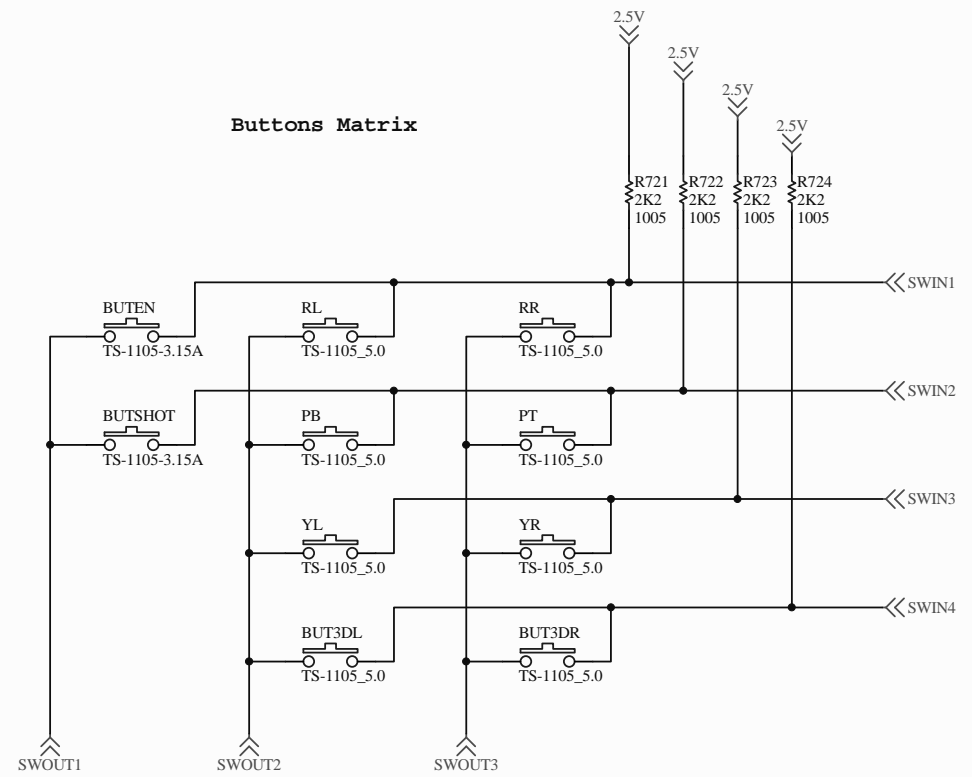


Title		
SmartronePad_Main		
Size	Number	Revision
A4		
Date:	2013-10-14	Sheet of
File:	D:\Dropbox\...\MAIN_SP.SchDoc	Drawn By: Gilar Budi Raharja

JoyStick Potentiometers

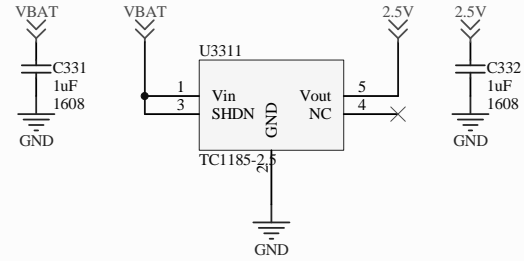
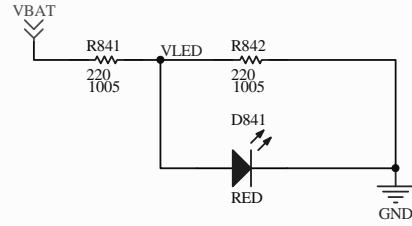
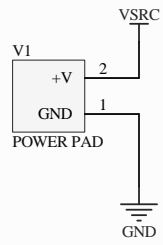


Buttons Matrix

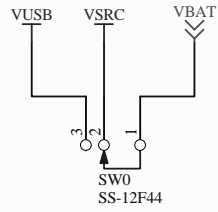


Title		
SmartronePad_Inputs		
Size	Number	Revision
A4		
Date:	2013-10-14	Sheet of
File:	D:\Dropbox\...\SENSOR_SP.SchDoc	Drawn By: Gilar Budi Raharja

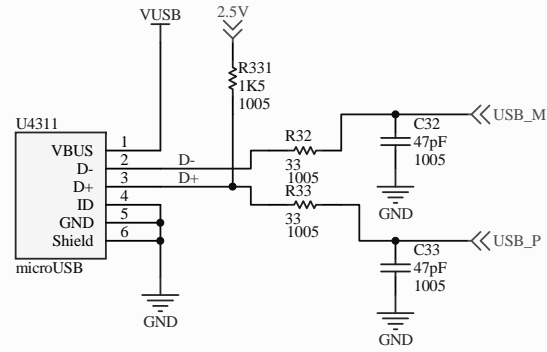
Power Manager



Main Switch

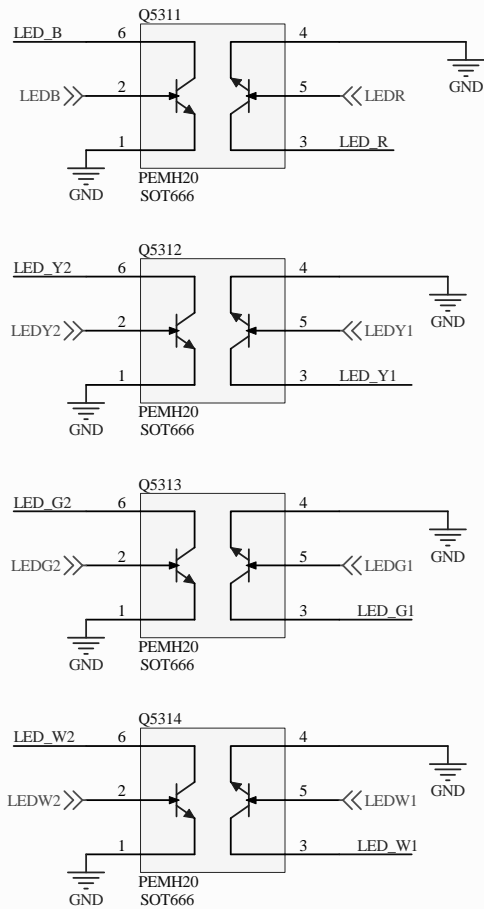


Micro USB Connector

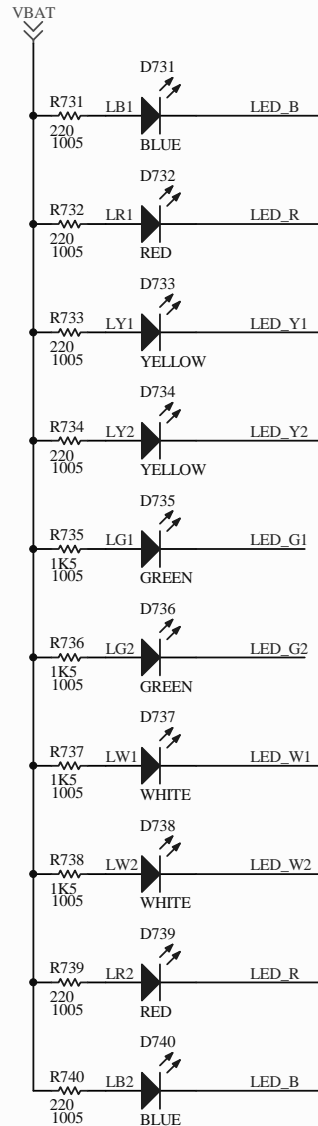


Title		
SmartronePad_Power		
Size	Number	Revision
A4		
Date:	2013-10-14	Sheet of
File:	D:\Dropbox\...\POWER_SP.SchDoc	Drawn By: Gilar Budi Raharja

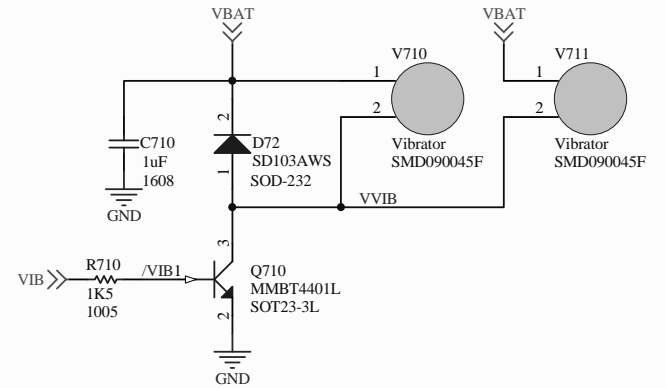
Controllers



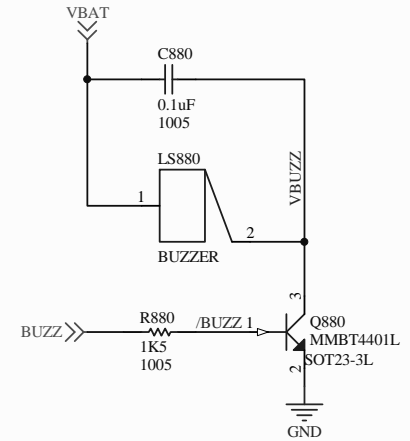
RC LEDs



Vibrator



Buzzer



Title		
SmarttronePad_Indicators		
Size	Number	Revision
A4		
Date:	2013-10-14	Sheet of
File:	D:\Dropbox\...\INDICATOR_SP.SchDoc	Drawn By: Gilar Budi Raharja