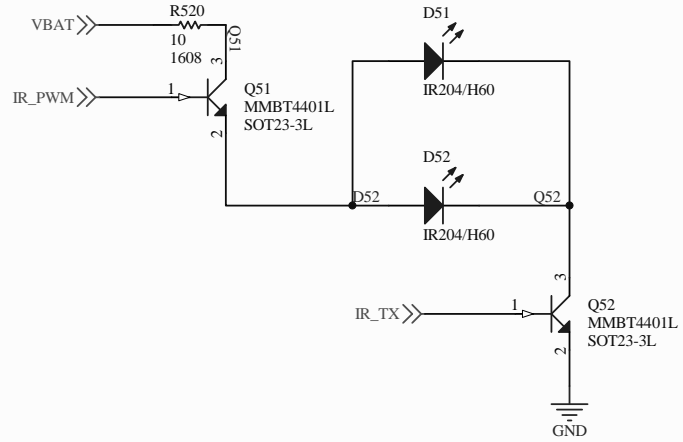
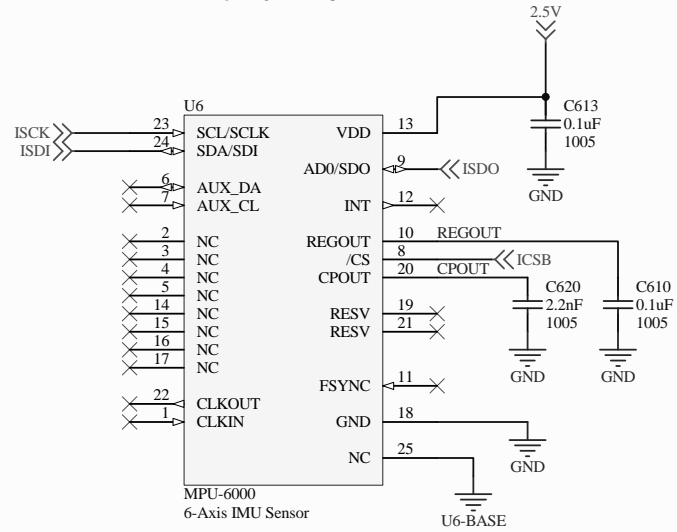


Title		
Size	Number	Revision
A4		
Date:	2013-10-14	Sheet of
File:	D:\Dropbox\...\MAIN_ByQ_FCB.SchDoc	Drawn By:

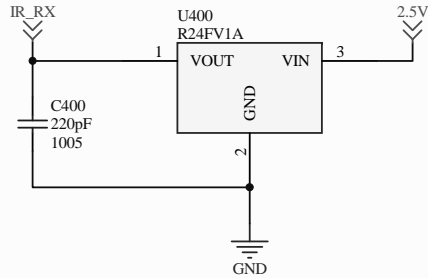
IR Transmitter



6 DOF IMU

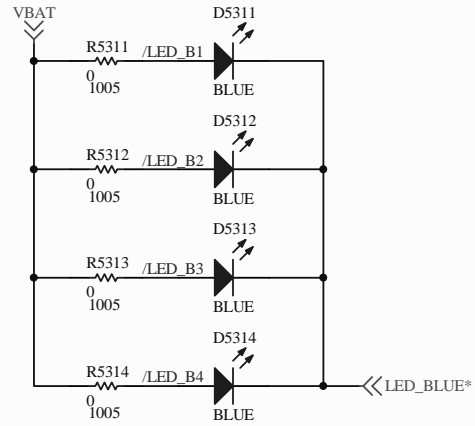


IR Receiver

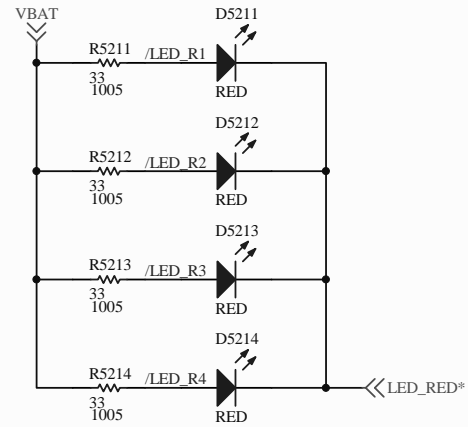


Title		
Size	Number	Revision
A4		
Date:	2013-10-14	Sheet of
File:	D:\Dropbox\SENSOR_ByQ_FCB.SchDoc	
		Drawn By:

Blue Team LEDs



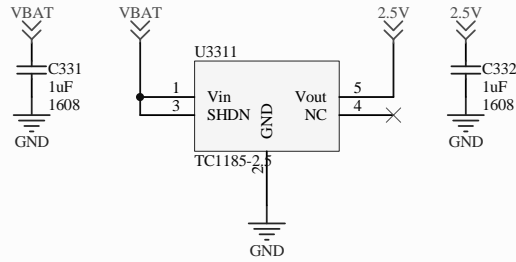
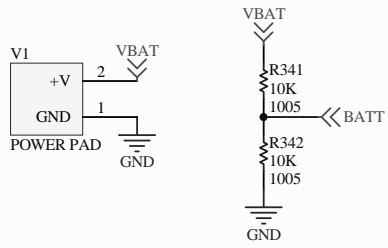
Red Team LEDs



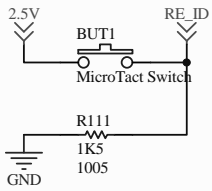
Title		
Size A4	Number	Revision
Date:	2013-10-14	Sheet of
File:	D:\Dropbox\LED_ByQ_FCB.SchDoc	Drawn By:

Power Manager

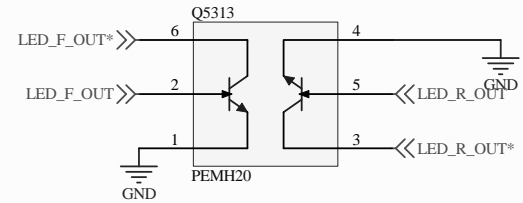
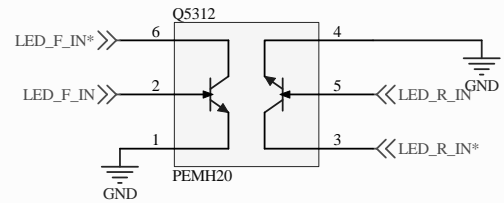
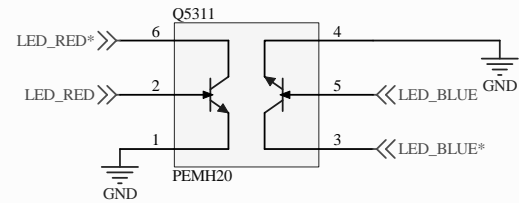
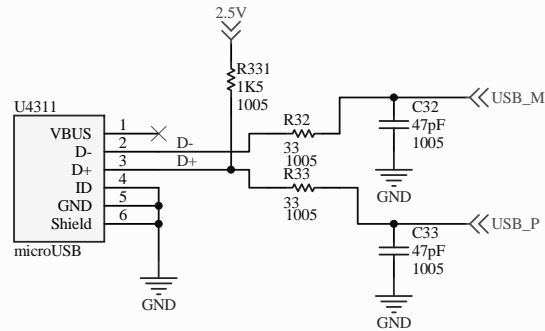
LED Controllers



Reset New ID

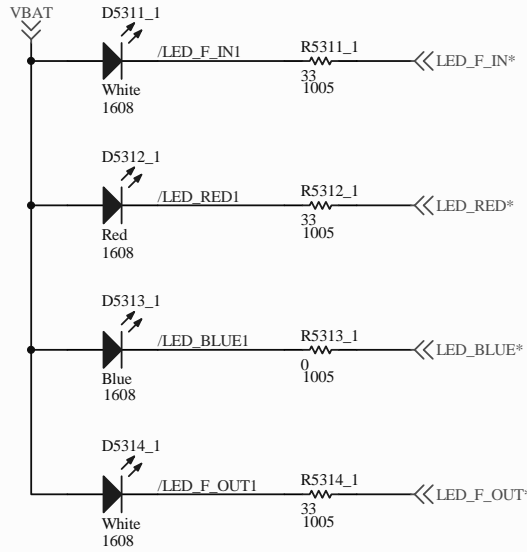


Micro USB Connector

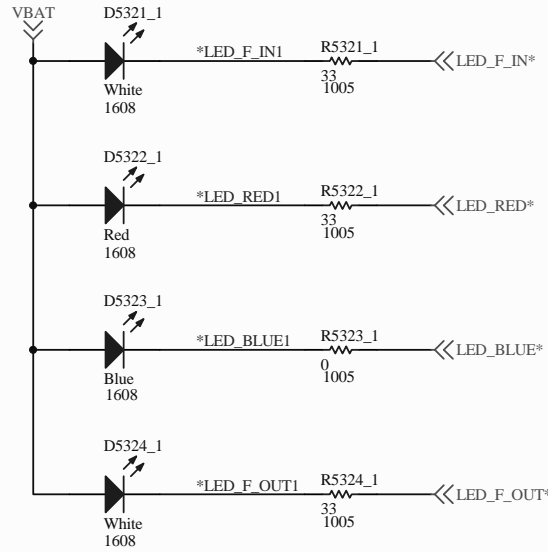


Title		
Size	Number	Revision
A4		
Date:	2013-10-14	Sheet of
File:	D:\Dropbox\...\POWER_ByQ_FCB_Reposit...	

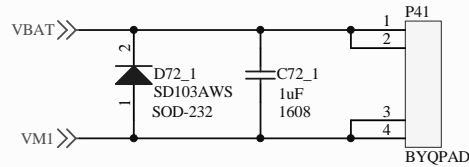
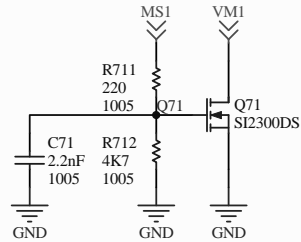
Front Left Top LEDs



Front Left Bottom LEDs

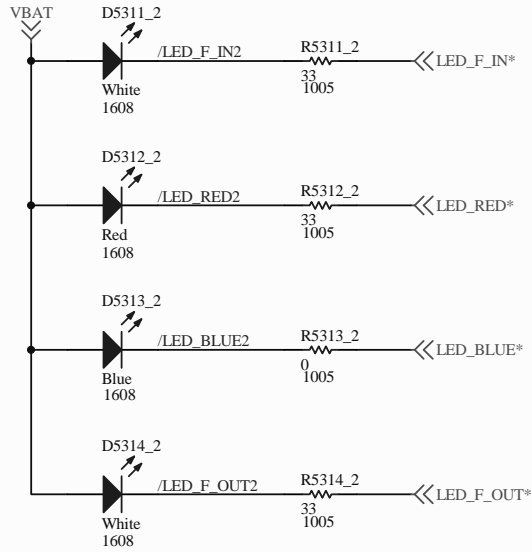


DC Motor Drivers

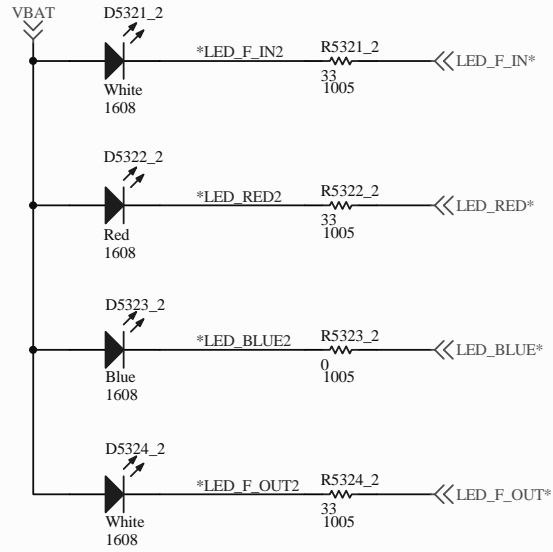


Title		
Size	Number	Revision
A4		
Date:	2013-10-14	Sheet of
File:	D:\Dropbox\...\ARM_ByQ_1.SchDoc	Drawn By:

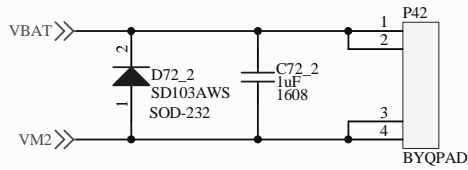
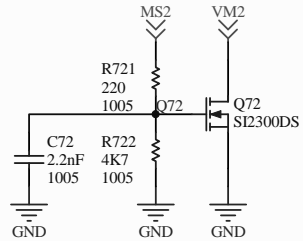
Front Right Top LEDs



Front Right Bottom LEDs

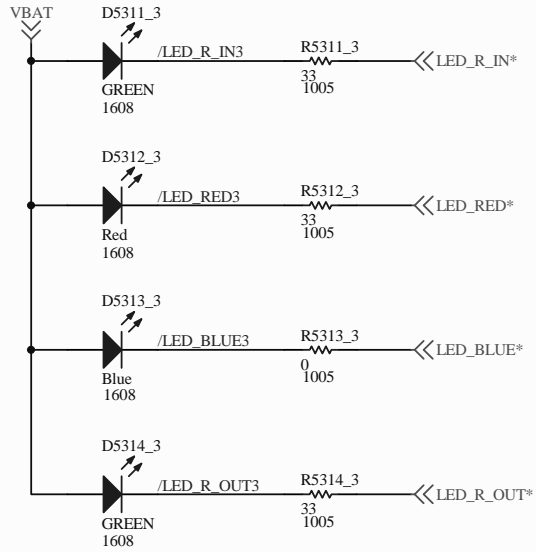


DC Motor Drivers

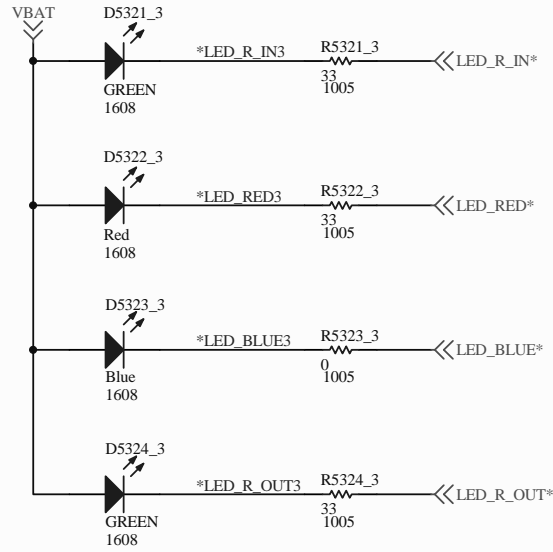


Title		
Size A4	Number	Revision
Date:	2013-10-14	Sheet of
File:	D:\Dropbox\...\ARM_ByQ_2.SchDoc	Drawn By:

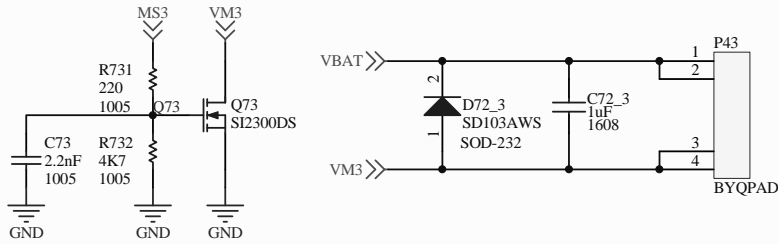
Rear Right Top LEDs



Rear Right Bottom LEDs

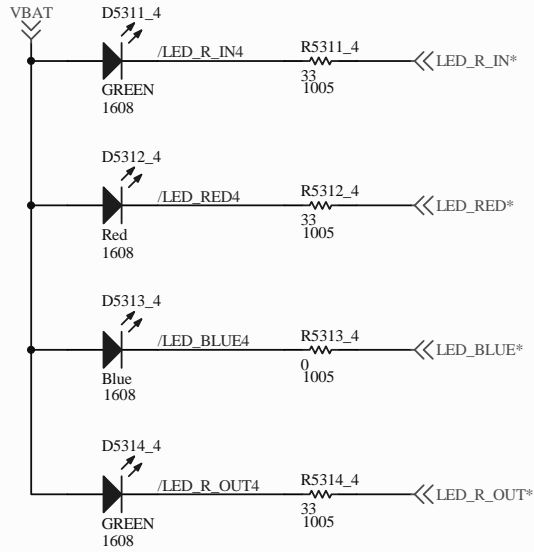


DC Motor Drivers

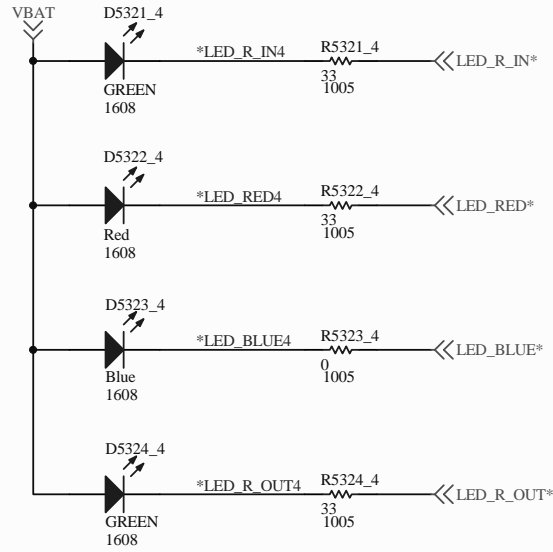


Title		
Size A4	Number	Revision
Date:	2013-10-14	Sheet of
File:	D:\Dropbox\...\ARM_ByQ_3.SchDoc	Drawn By:

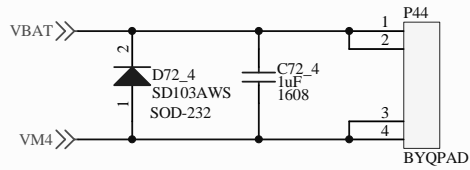
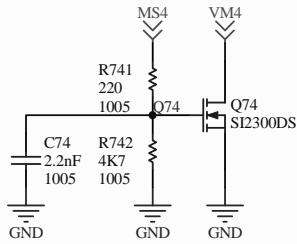
Rear Right Top LEDs



Rear Right Bottom LEDs



DC Motor Drivers



Title		
Size A4	Number	Revision
Date:	2013-10-14	Sheet of
File:	D:\Dropbox\...\ARM_ByQ_4.SchDoc	Drawn By: