



ISC-401

- Page1. MCU
- Page2. MEMORY
- Page3. ETHERNET
- Page4. AUDIO
- Page5. CAMERA
- Page6. UART
- Page7. IN/OUT
- Page8. POWER

저항, 콘덴서 기본 Size : 1608
저항, 콘덴서 별도 표기 Size 참조.

NO	CHANGE	DATE	SIGN
1	Brian	2013 02 04	

MODEL ISC-401

PART 0. INFO

DATE 2012/03/12

DESIGN

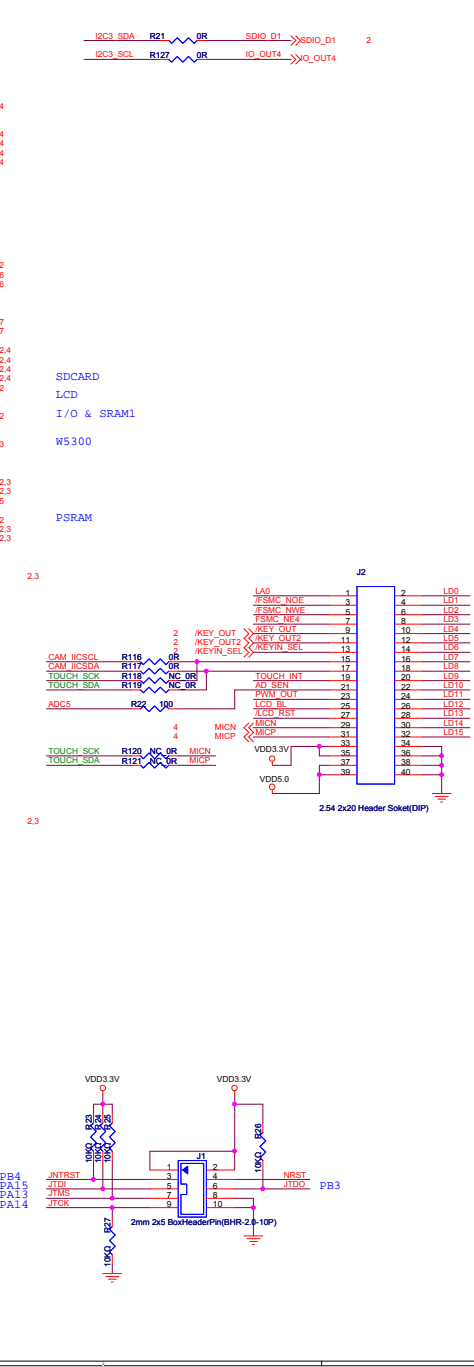
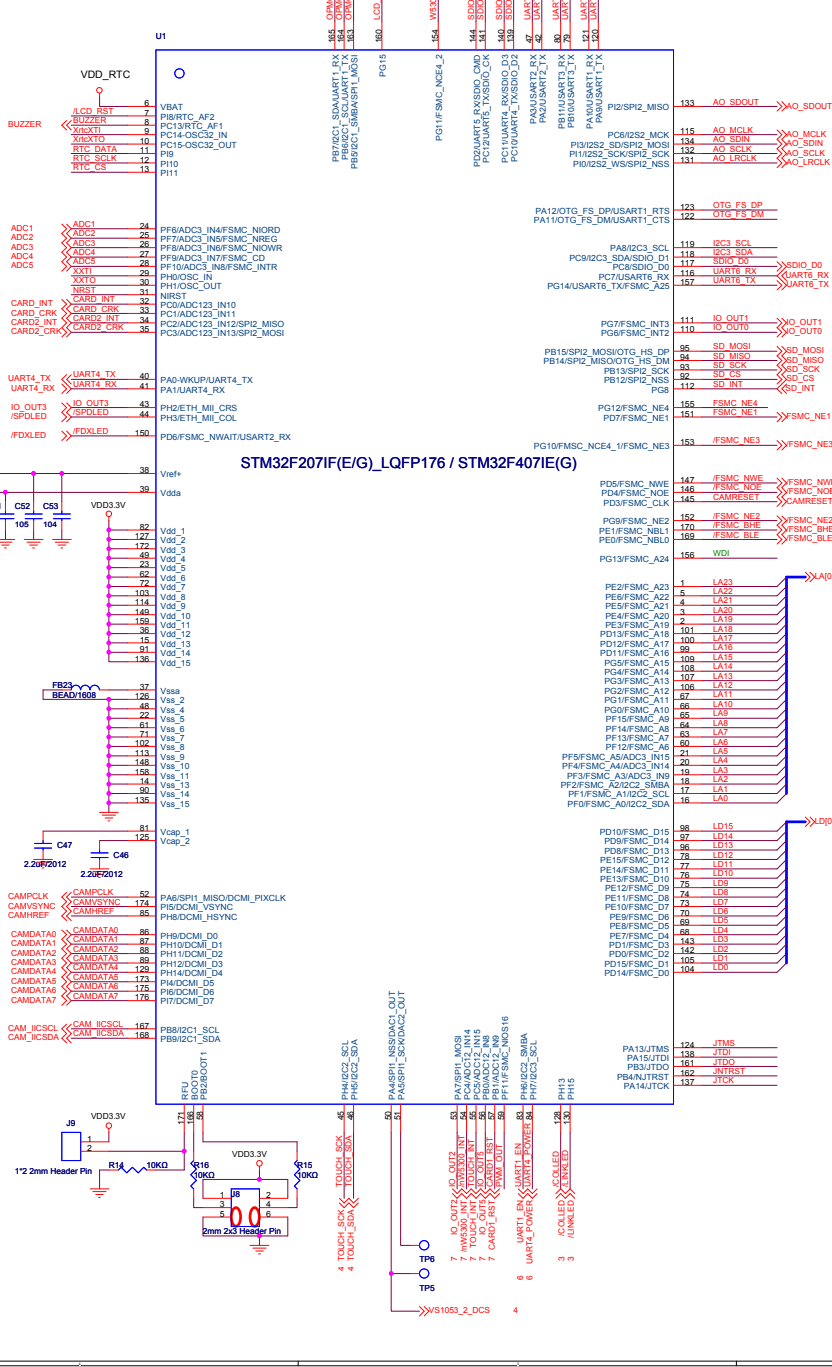
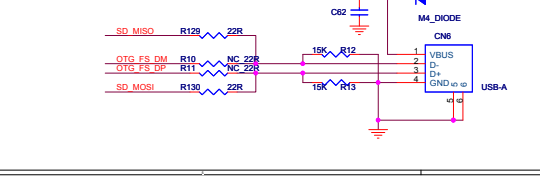
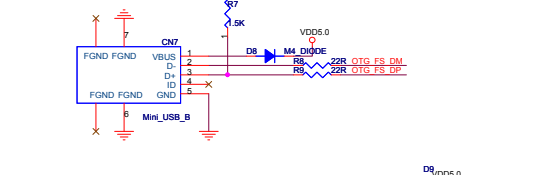
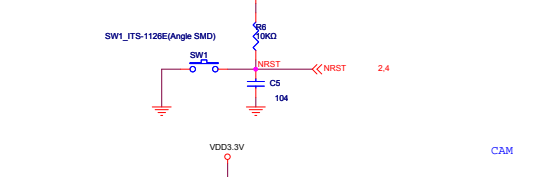
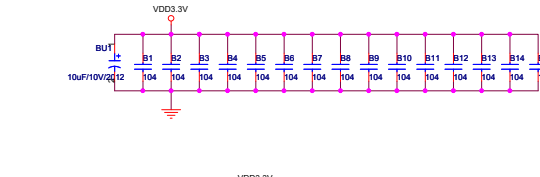
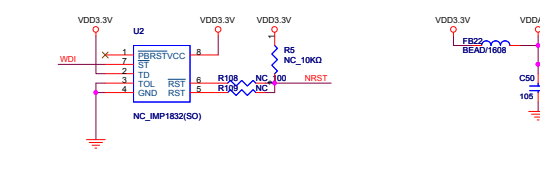
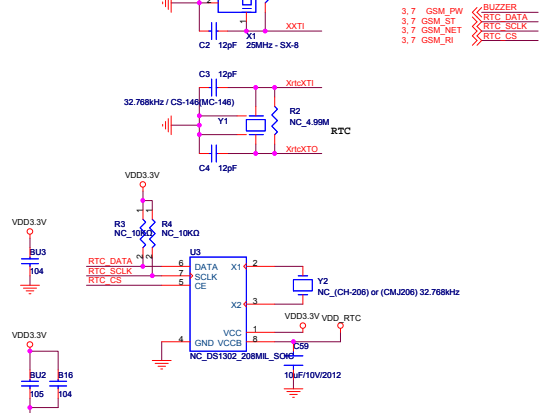
EXAMINE

APPROVAL

DRAWING NO IHD-A4C-120312-00

File ISC-401____.DSN

IDT INC



MODEL ISC-401

PART 1. MCU

DATE 2012/03/12

DESIGN

EXAMINE

APPROVAL

DRAWING NO IHD-A4C-120312-00

File ISC-401____.DSN

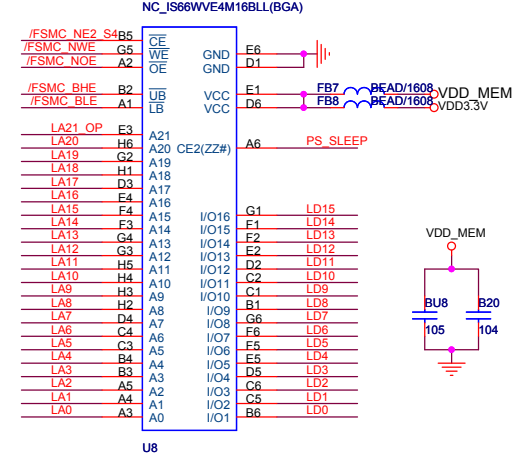
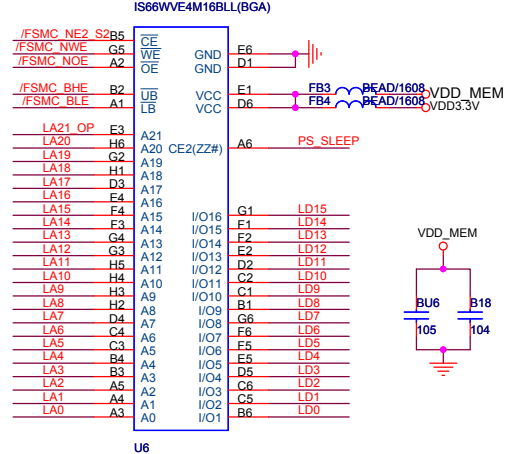
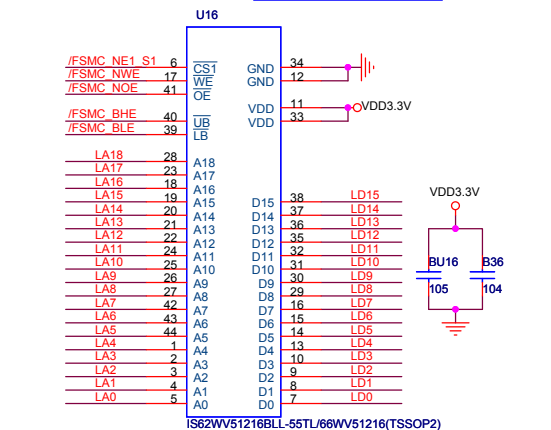
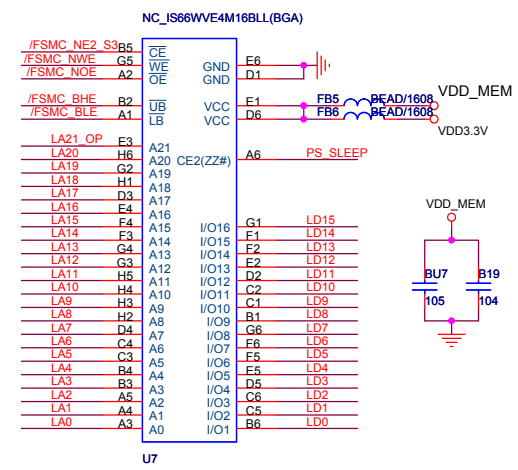
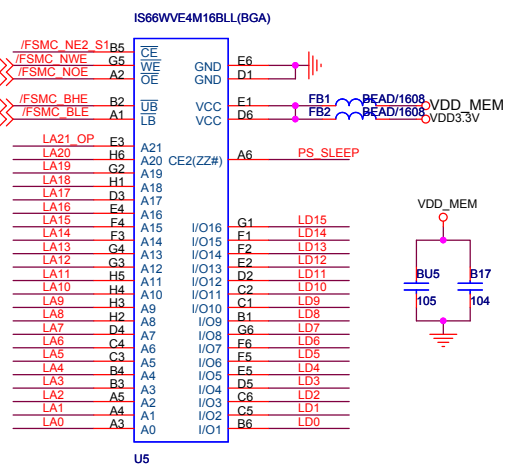
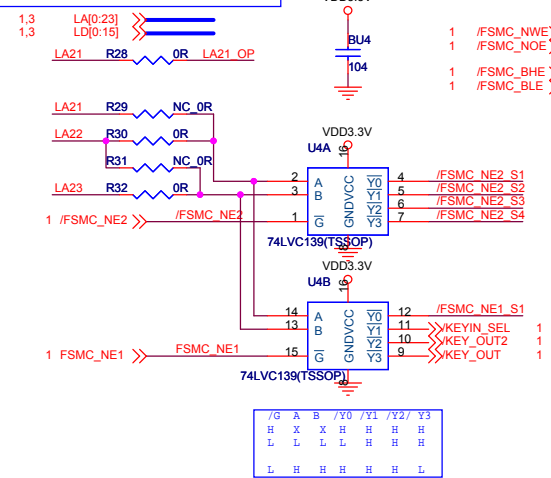
IDT INC



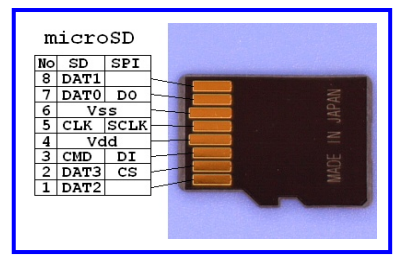
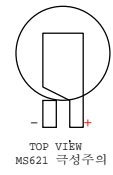
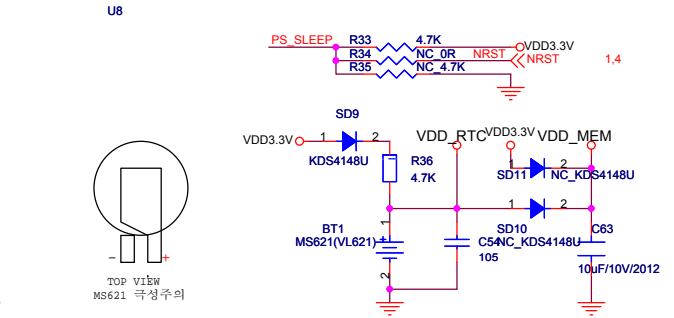
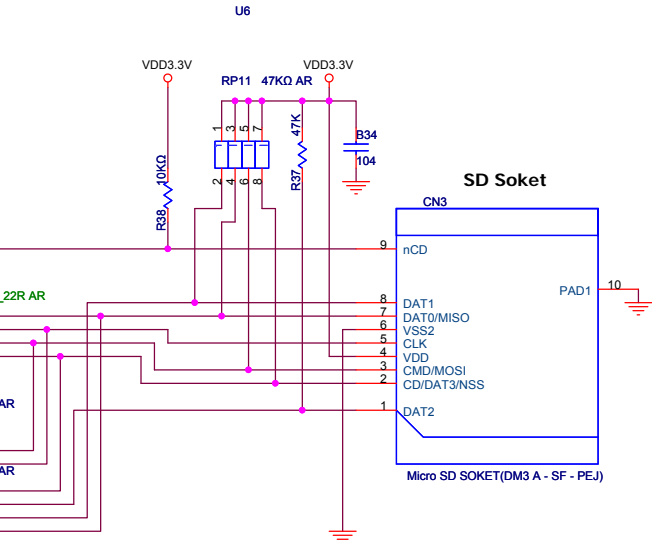
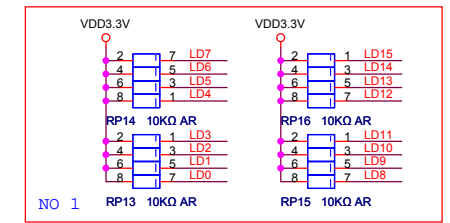
NO CHANGE DATE SIGN

1 Brian 2013 02 04

PSRAM 4M : R29, 31 주입
PSRAM 8M : R28, 30, 32 주입



// 1M = 0x0010 0000
// 128M = 0x0800 0000
// 1G = 0x4000 0000
// 2G = 0x8000 0000



MODEL ISC-401

PART 2. MEMORY

DATE 2012/03/12

DESIGN

EXAMINE

APPROVAL

DRAWING NO IHD-A4C-120312-00

File ISC-401____.DSN

IDT INC



NO CHANGE DATE SIGN

MODEL ISC-401

PART 3. ETHERNET

DATE 2012/03/12

DESIGN

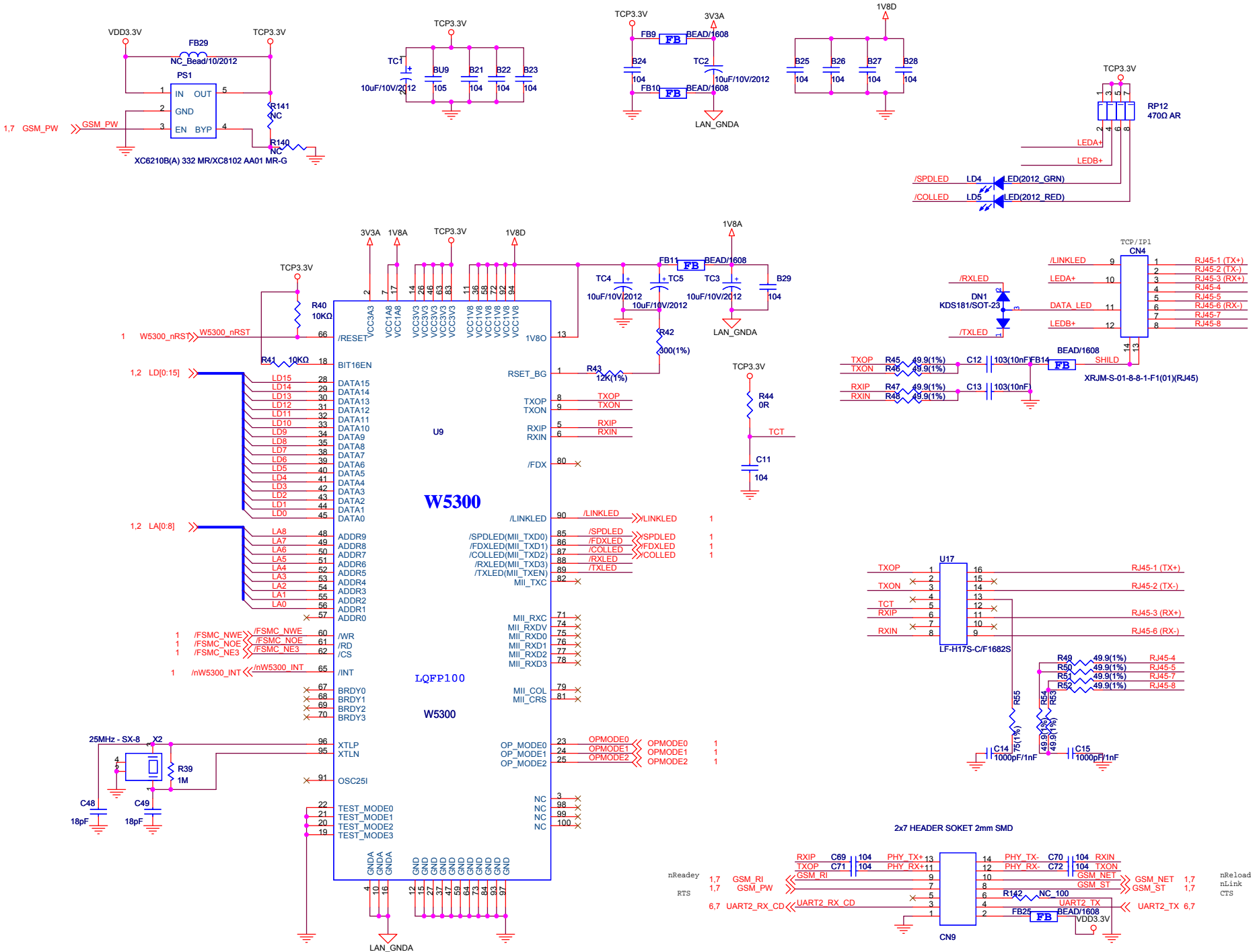
EXAMINE

APPROVAL

DRAWING NO IHD-A4C-120312-00

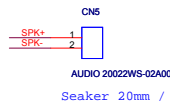
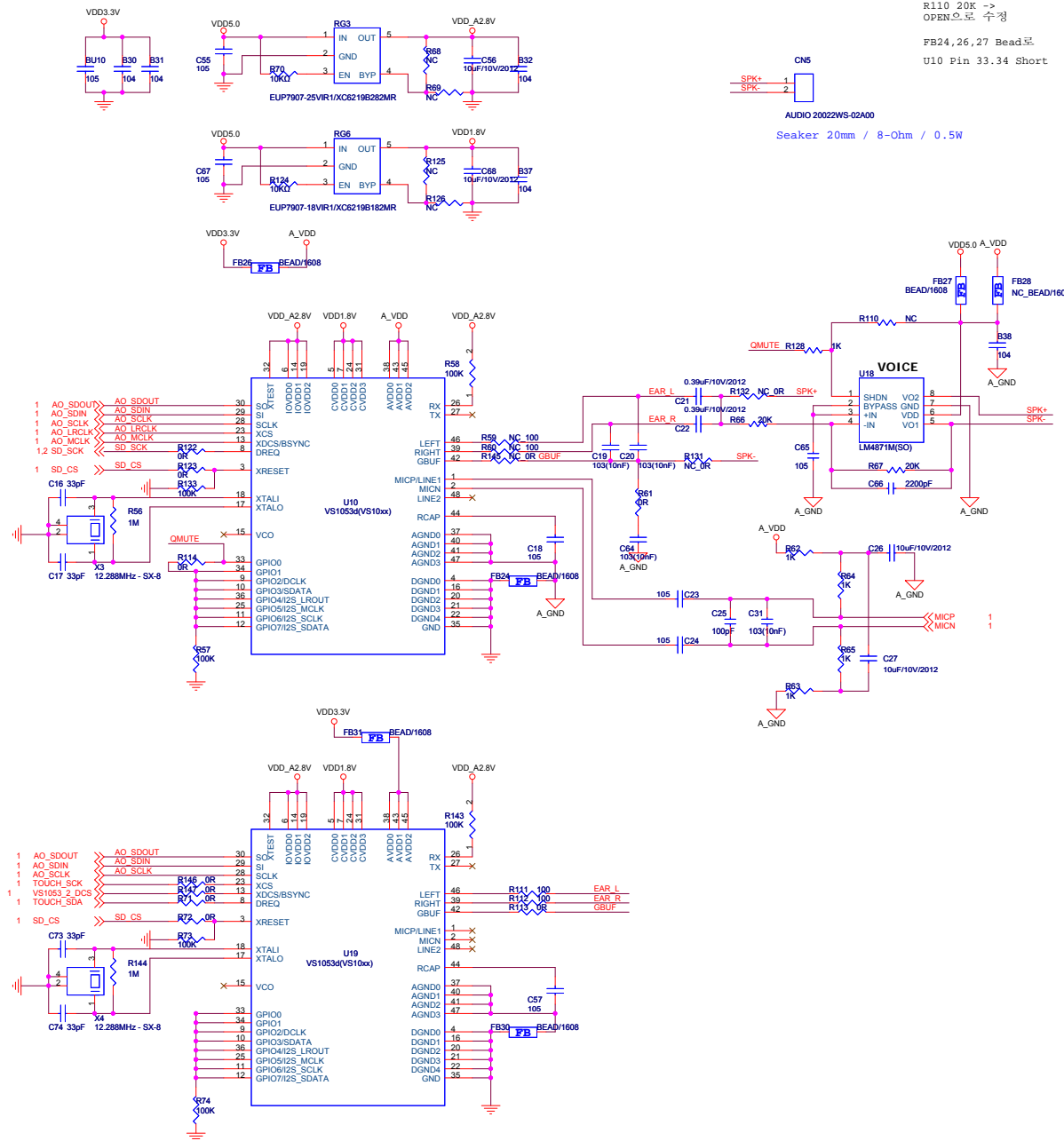
File ISC-401____.DSN

IDT INC



NO	CHANGE	DATE	SIGN

조립시 수정사항
 R110 20K ->
 OPEN으로 수정
 FB24,26,27 Bead로
 U10 Pin 33.34 Short

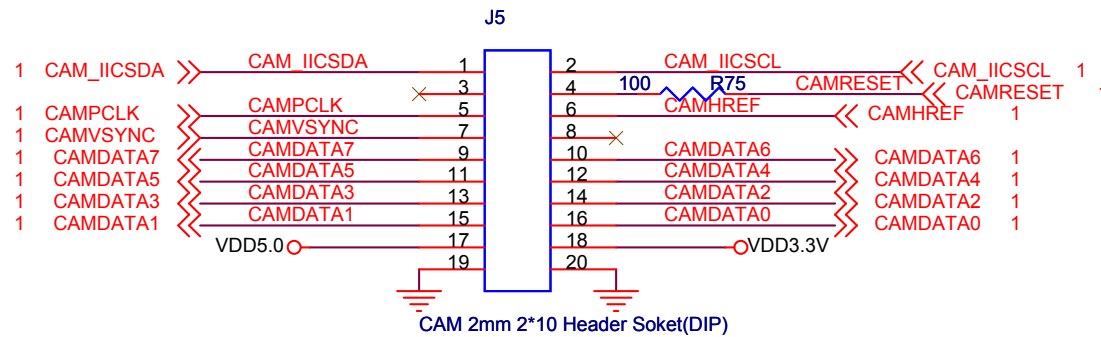


NO	CHANGE	DATE	SIGN
1	Brian	2013 02 04	

MODEL	ISC-401
PART	4. AUDI0
DATE	2012/03/12
DESIGN	
EXAMINE	
APPROVAL	
DRAWING NO	IHD-A4C-120312-00
File	ISC-401____.DSN



NO	CHANGE	DATE	SIGN



CAM CONNECTOR

MODEL ISC-401

PART 5. CAMERA

DATE 2012/03/12

DESIGN

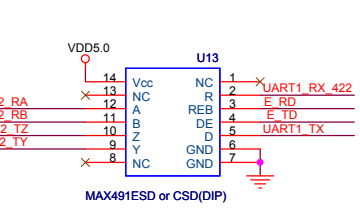
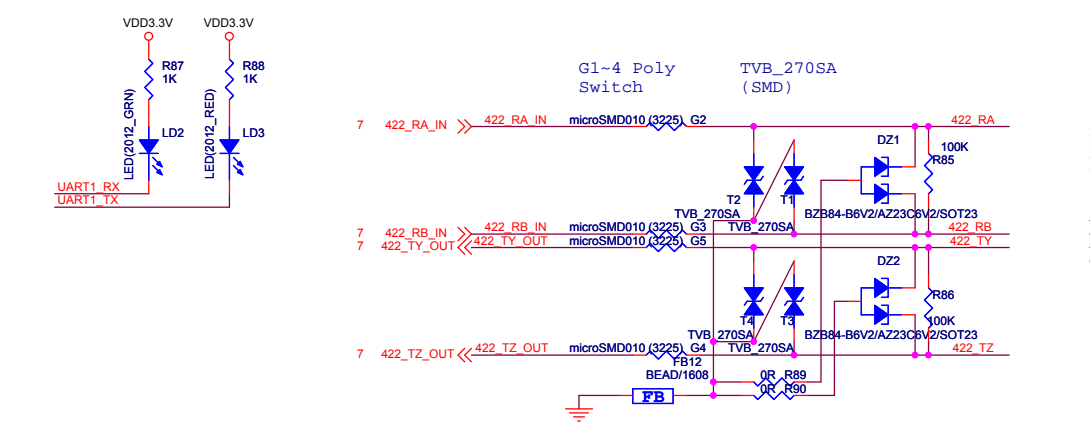
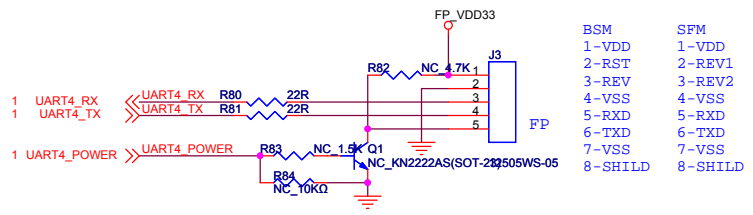
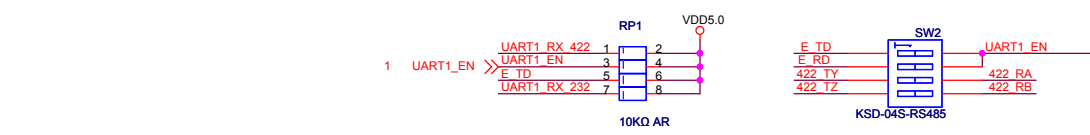
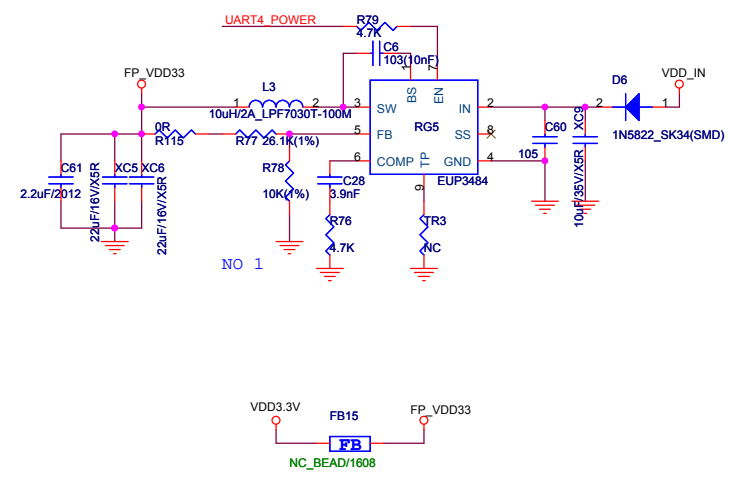
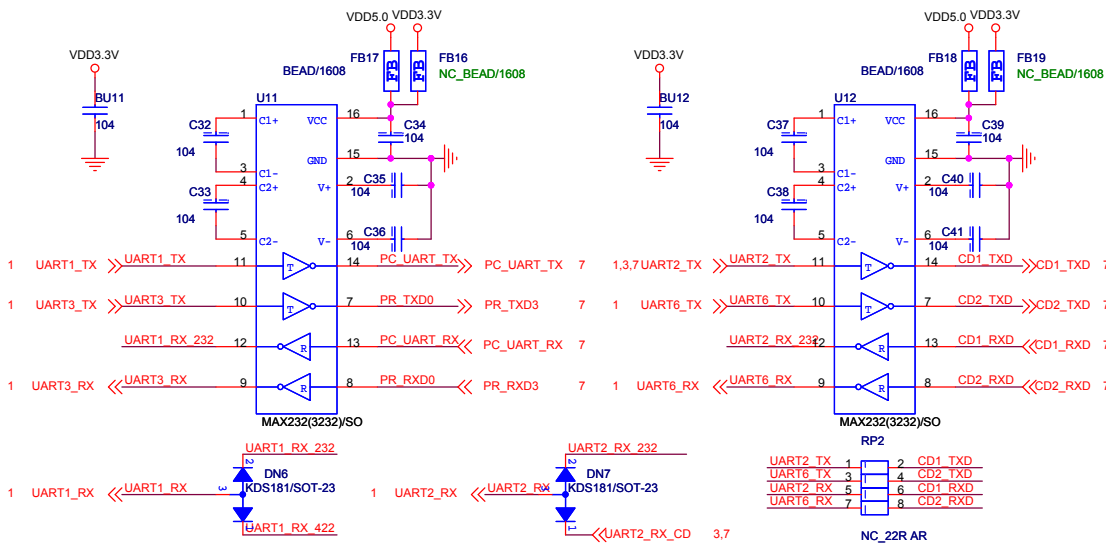
EXAMINE

APPROVAL

DRAWING NO IHD-A4C-120312-00

File ISC-401____.DSN

IDT INC



- | | |
|---------|---------|
| BSM | SFM |
| 1-VDD | 1-VDD |
| 2-RST | 2-REV1 |
| 3-REV | 3-REV2 |
| 4-VSS | 4-VSS |
| 5-RXD | 5-RXD |
| 6-TXD | 6-TXD |
| 7-VSS | 7-VSS |
| 8-SHILD | 8-SHILD |

MODEL ISC-401

PART 6. UART

DATE 2012/03/12

DESIGN

EXAMINE

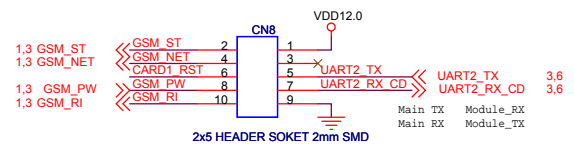
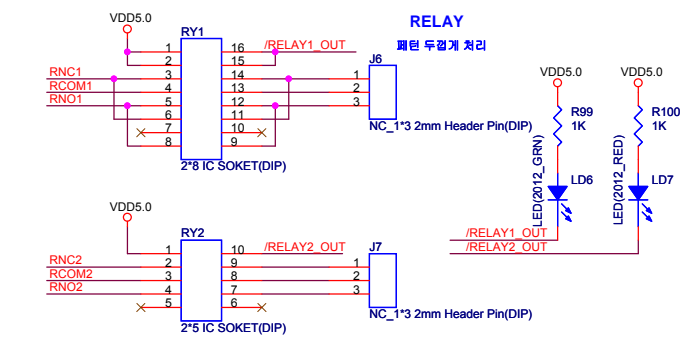
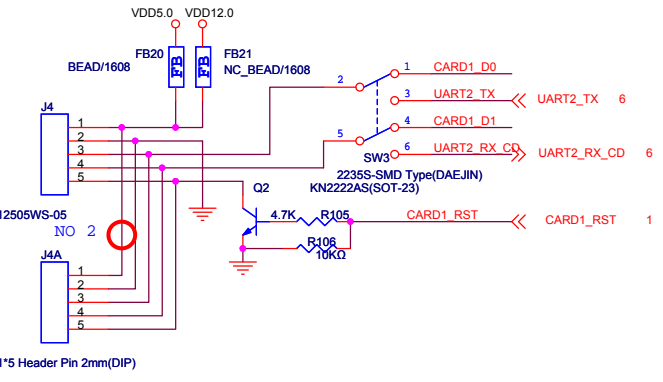
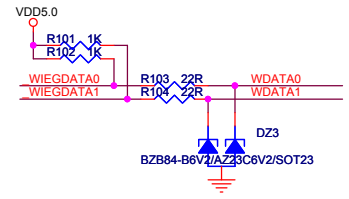
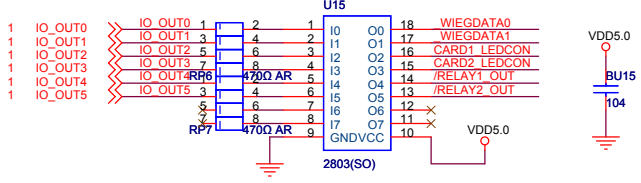
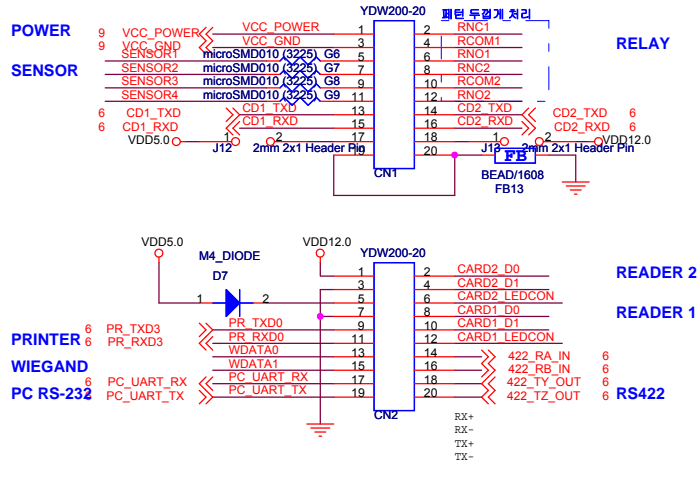
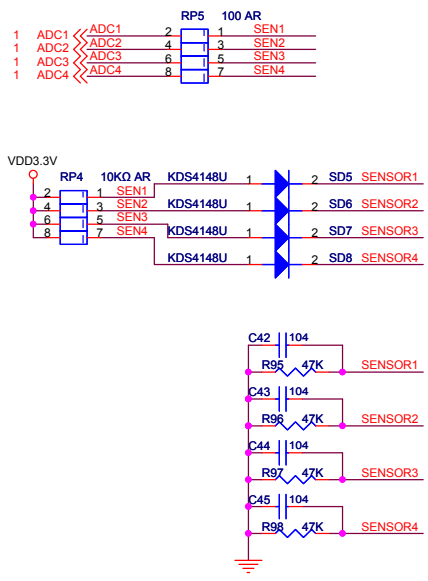
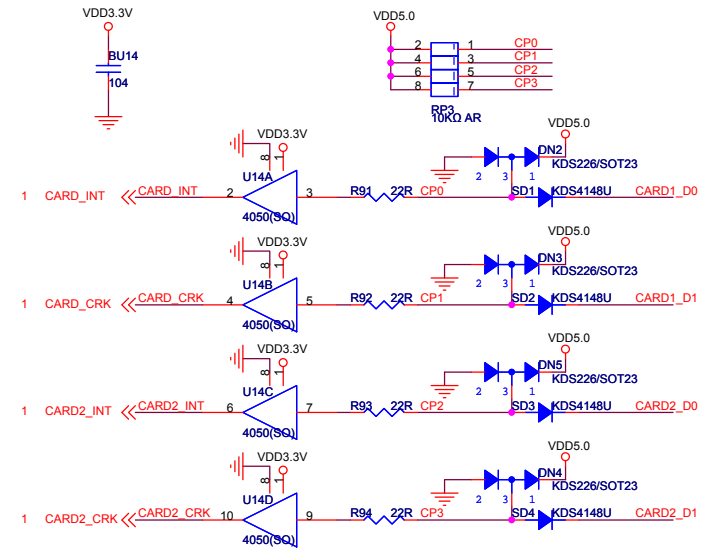
APPROVAL

DRAWING NO IHD-A4C-120312-00

File ISC-401____.DSN



NO	CHANGE	DATE	SIGN
1	Brian	2013 02 04	



J4 pin1 -- J4A pin1 두접게.

MODEL	ISC-401
PART	7. IN/OUT
DATE	2012/03/12
DESIGN	
EXAMINE	
APPROVAL	
DRAWING NO	IHD-A4C-120312-00
File	ISC-401____.DSN

IDT INC

NO	CHANGE	DATE	SIGN
----	--------	------	------

1	Brian	2013 02 04	
---	-------	------------	--

MODEL	ISC-401
-------	---------

PART	8. POWER
------	----------

DATE	2012/03/12
------	------------

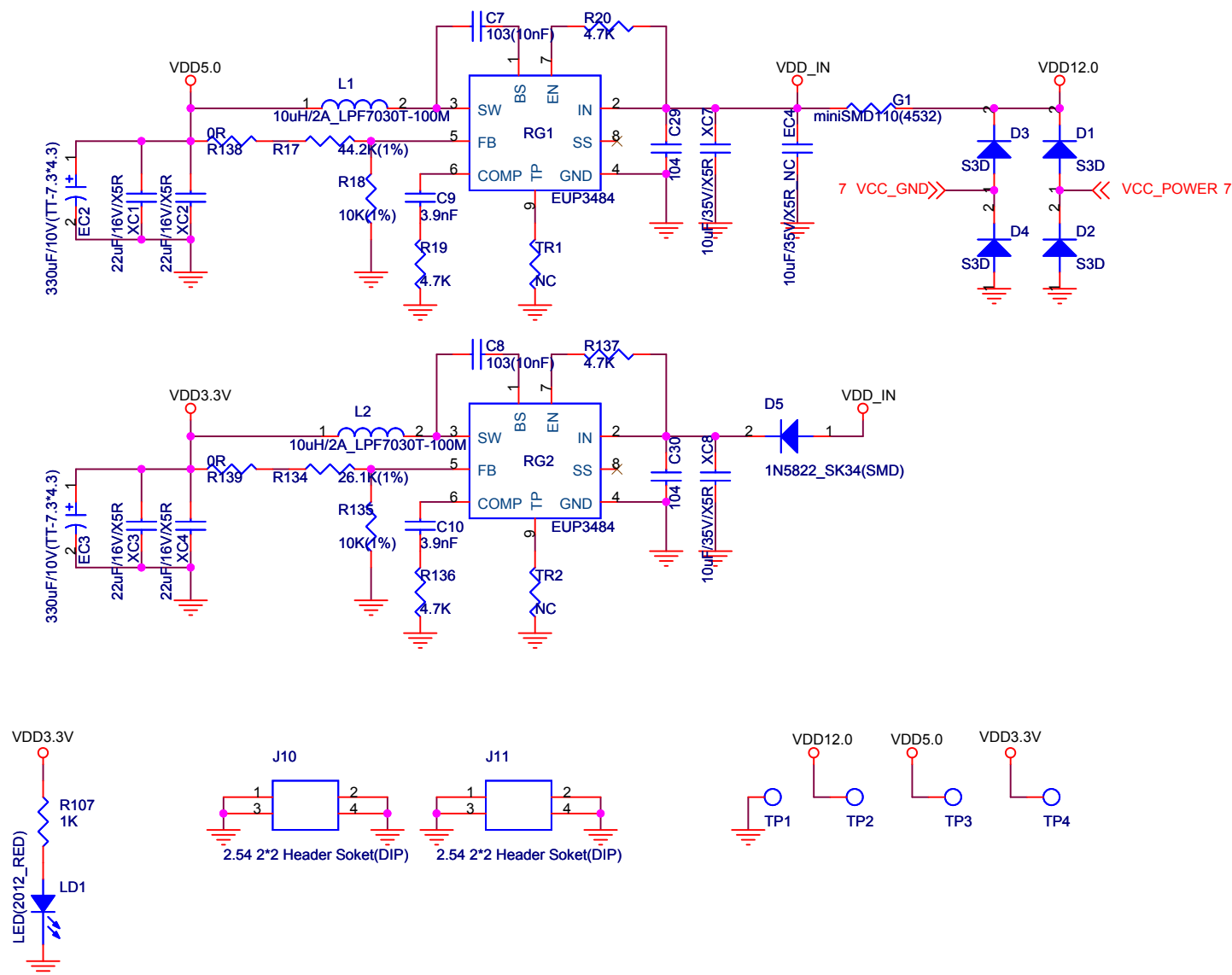
DESIGN	
--------	--

EXAMINE	
---------	--

APPROVAL	
----------	--

DRAWING NO	IHD-A4C-120312-00
------------	-------------------

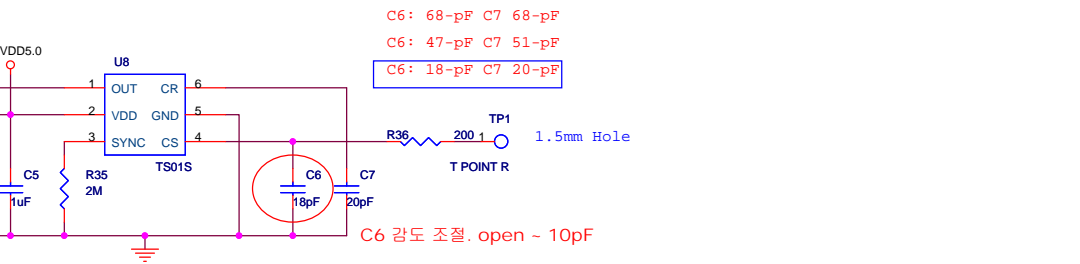
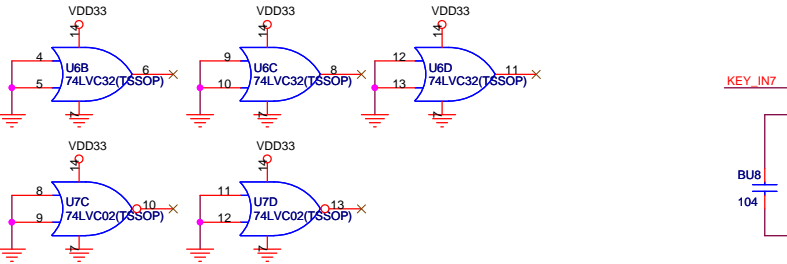
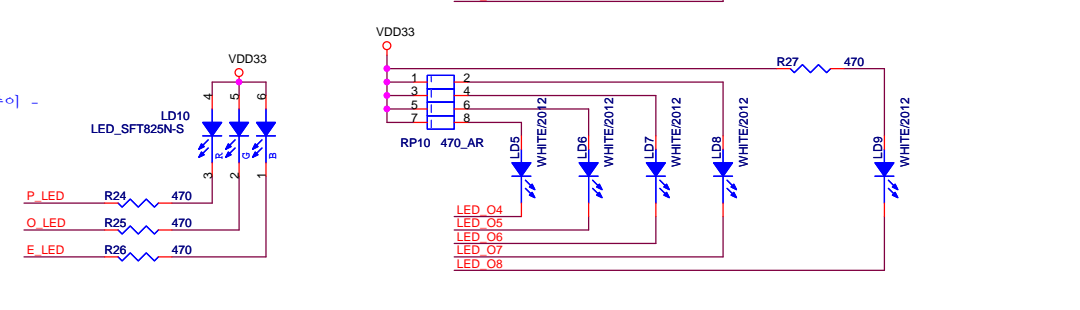
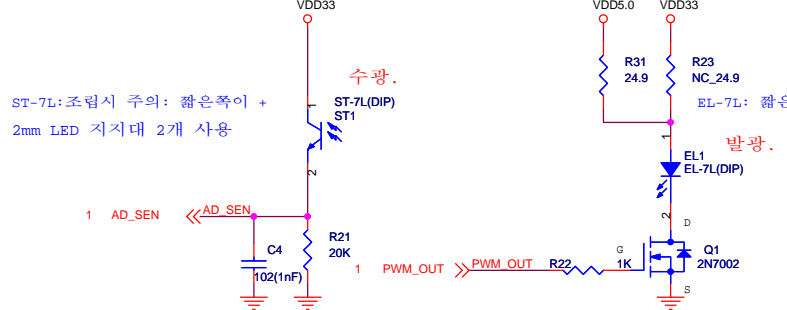
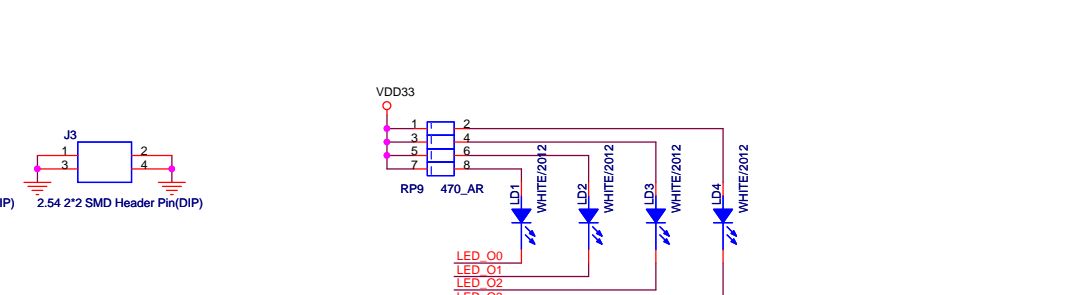
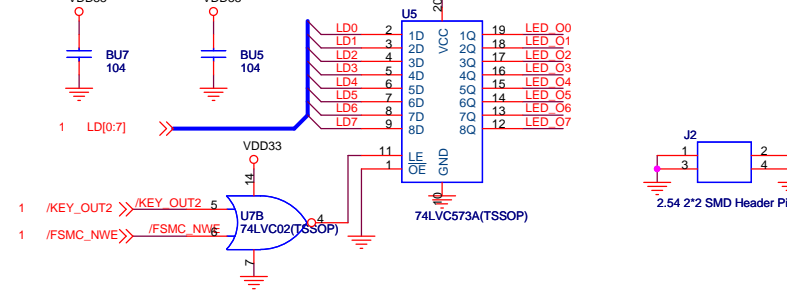
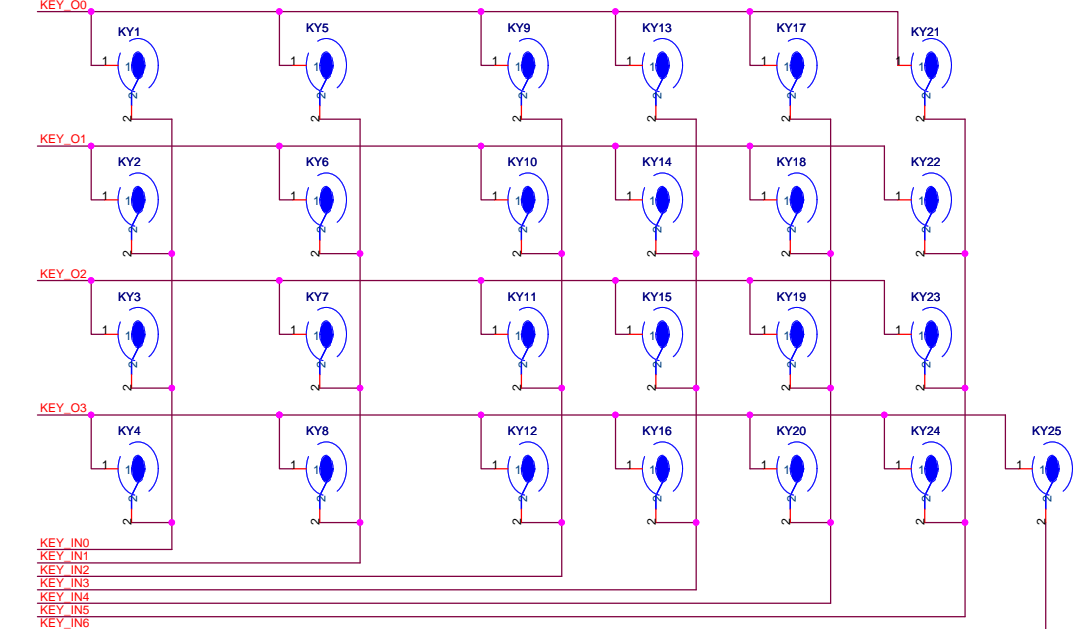
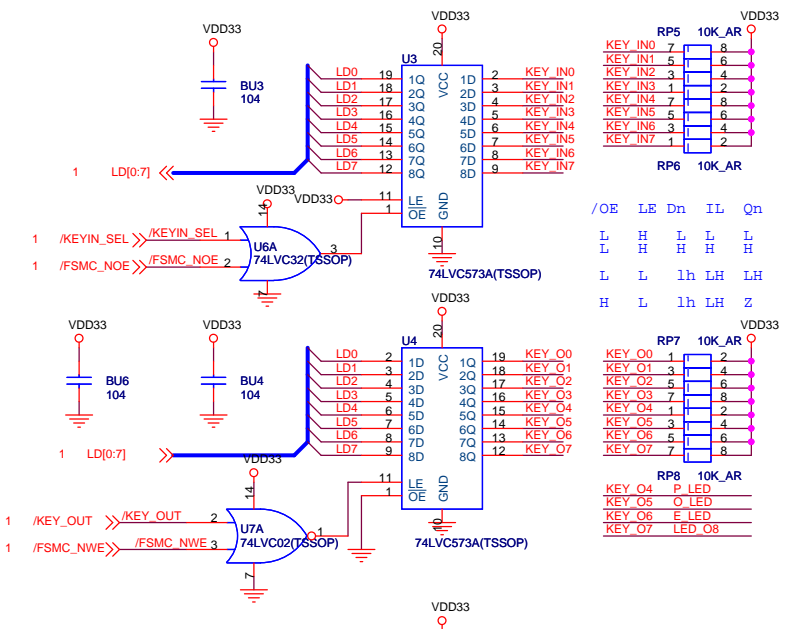
File	ISC-401____.DSN
------	-----------------





NO CHANGE DATE SIGN

1 Brian 2013 02 04



수광.
ST-7L: 조립시 주의: 짧은쪽이 +
2mm LED 지지대 2개 사용

발광.
EL-7L: 짧은쪽이 -

MODEL ISC-401

PART 2. KEY

DATE 2012/03/12

DESIGN

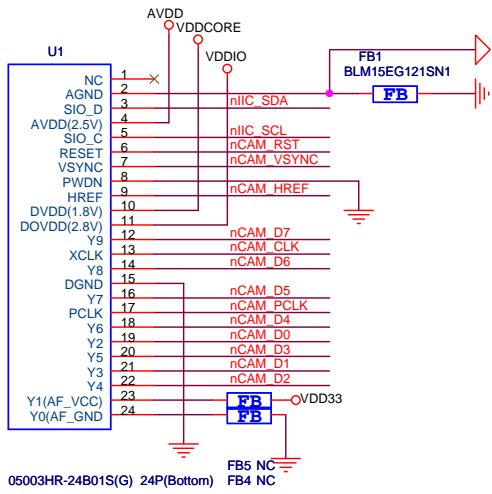
EXAMINE

APPROVAL

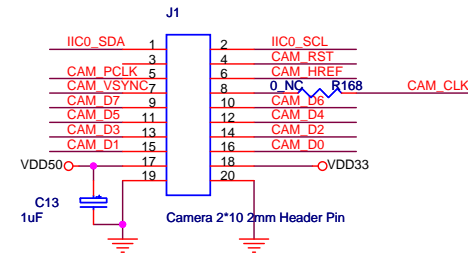
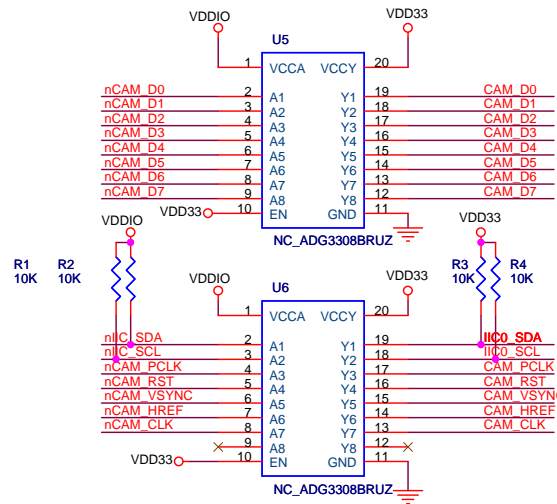
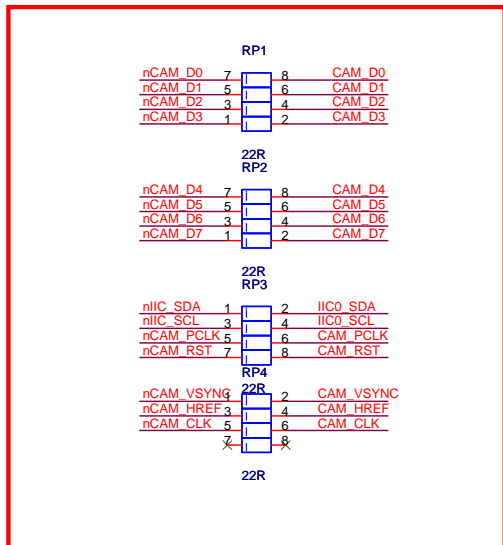
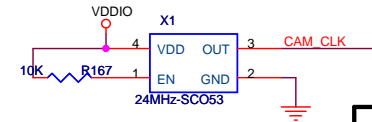
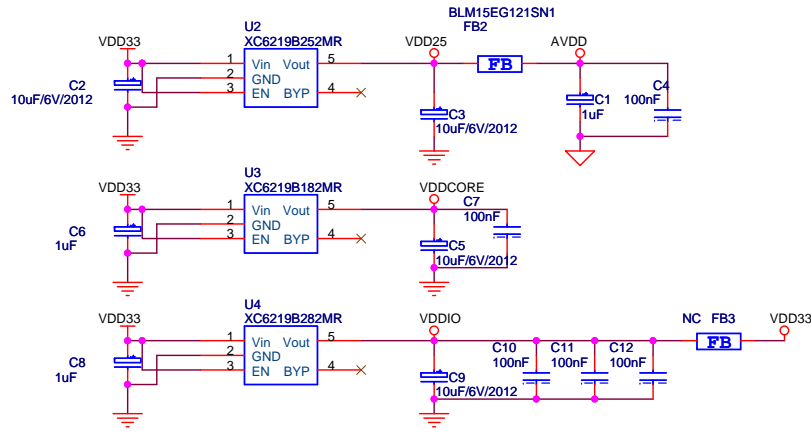
DRAWING NO IHD-A4C-120312-00

File ISC-401 KEY_...DSN

IDT INC



OV9655/OV9650/OV2460/OV3640



Extend Camera Socket



NO CHANGE DATE SIGN

MODEL ISC-401

PART 1. CAMERA

DATE 2012/03/12

DESIGN

EXAMINE

APPROVAL

DRAWING NO IHD-A4C-120312-00

File ISC-401N Camera_DSN

IDT INC

