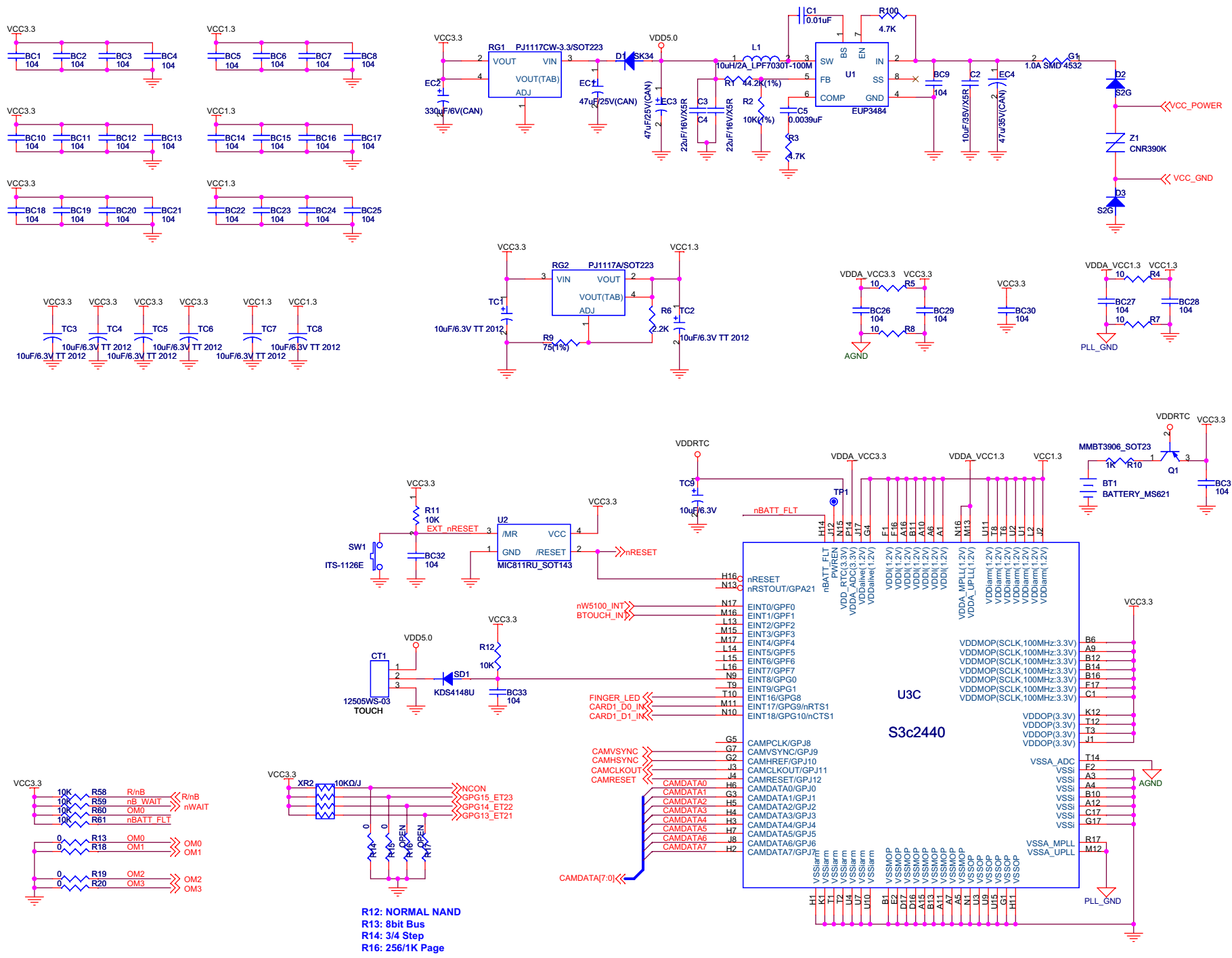




NO CHANGE DATE SIGN



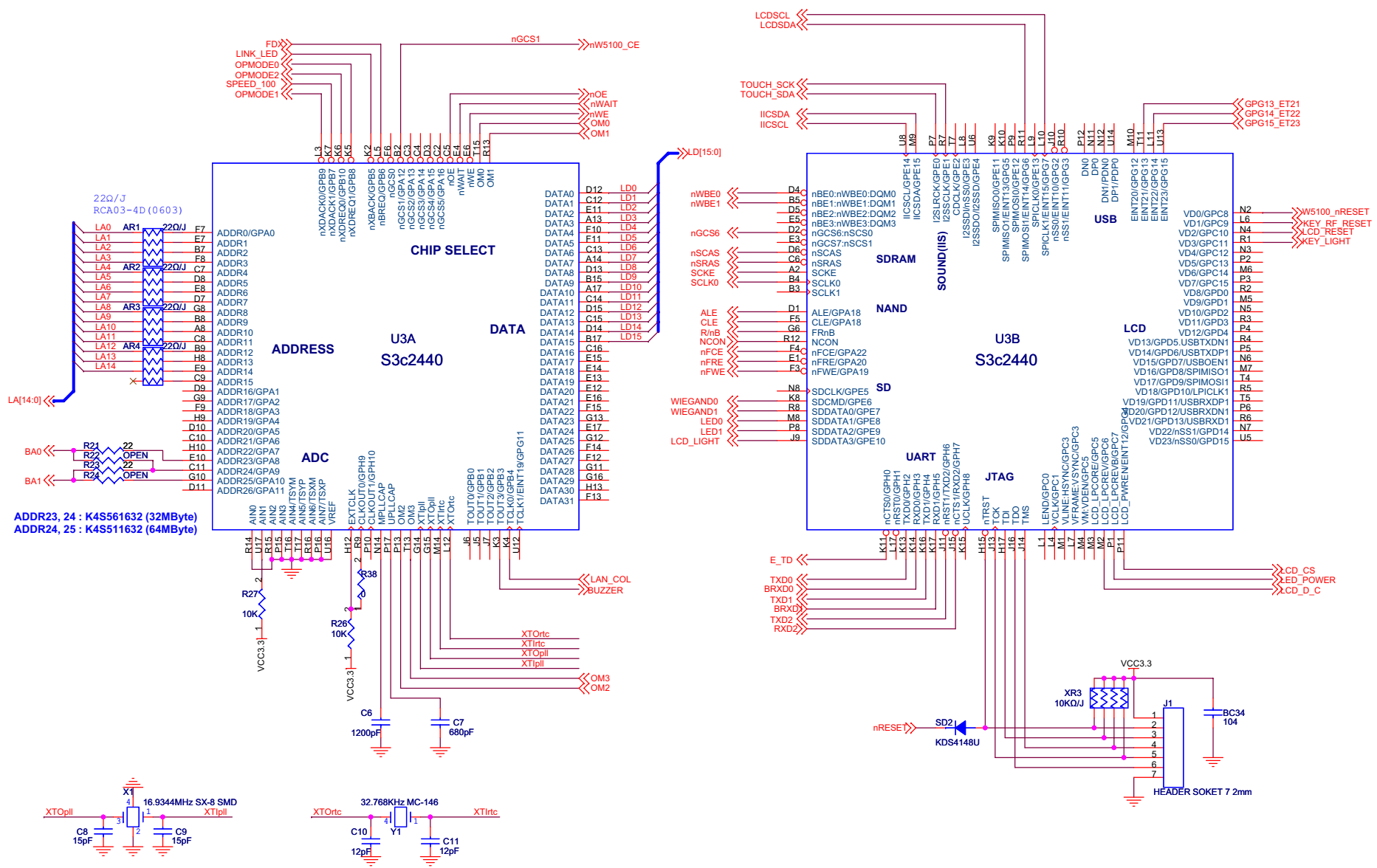
1G(128M) Memory 1 0 0 1

MODEL	ISC-101A
PART	S3C2440A_1
DATE	2012/04/25
DESIGN	
EXAMINE	
APPROVAL	
DRAWING NO	1/5
File	ISC-101A.DSN

IDT INC



NO	CHANGE	DATE	SIGN

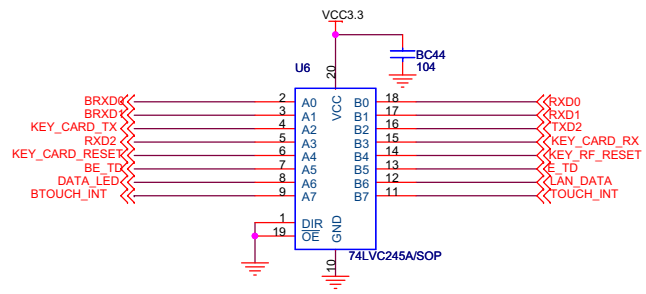
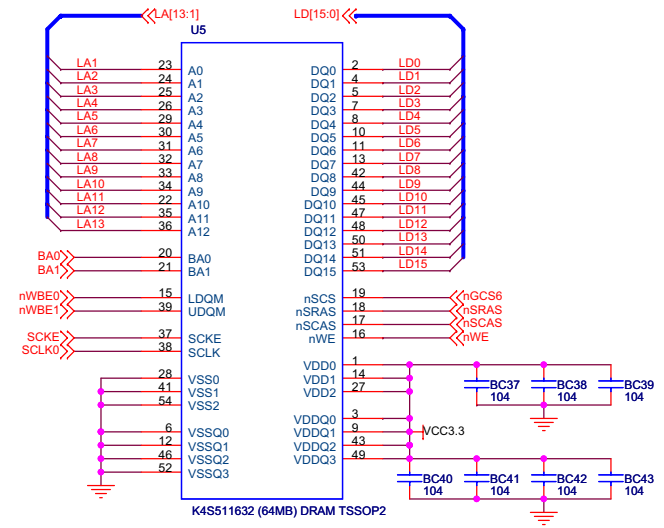
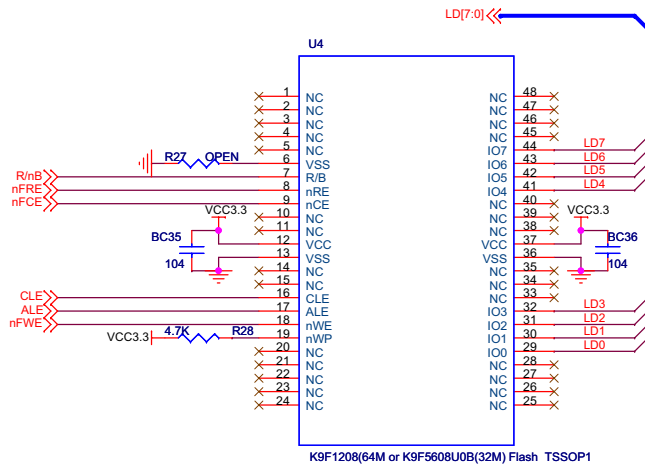


MODEL	ISC-101A
PART	S3C2440A_2
DATE	2012/04/25
DESIGN	
EXAMINE	
APPROVAL	
DRAWING NO	2/5
File	ISC-101A.DSN

IDT INC



NO CHANGE DATE SIGN



MODEL ISC-101A

PART MEMORY & BUFFER

DATE 2012/04/25

DESIGN

EXAMINE

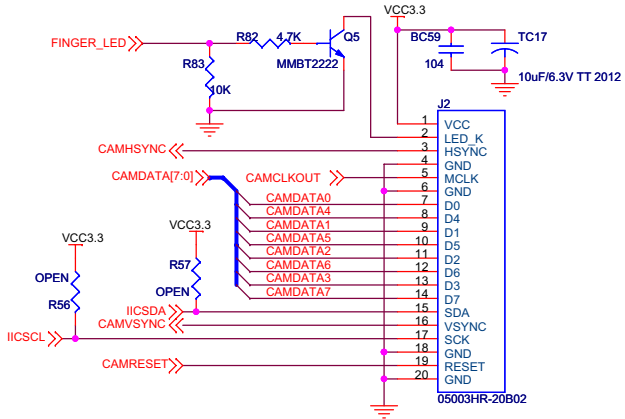
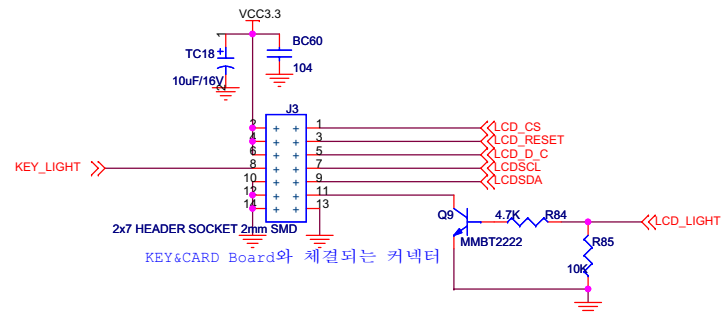
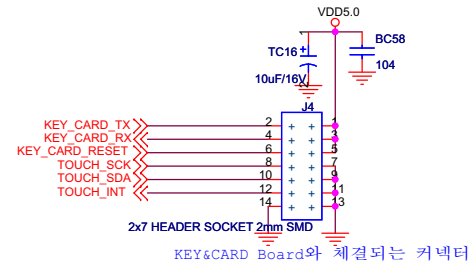
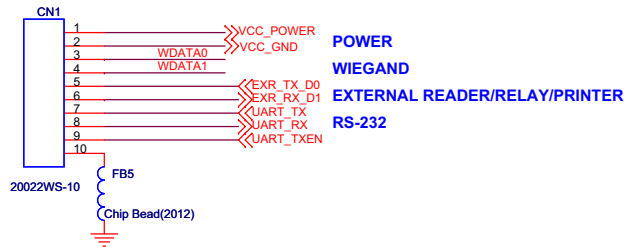
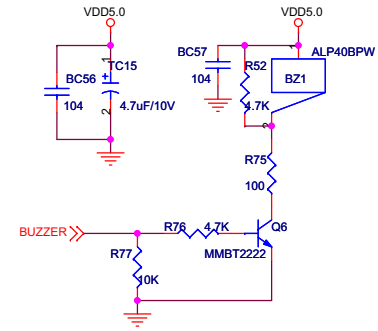
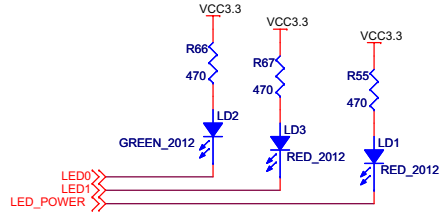
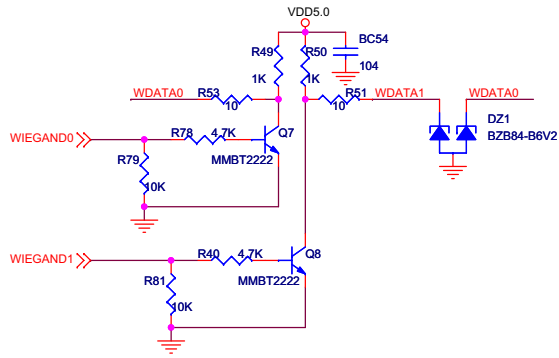
APPROVAL

DRAWING NO 3/5

File ISC-101A.DSN

IDT INC





MODEL ISC-101A

PART I/O

DATE 2011/03/14

DESIGN

EXAMINE

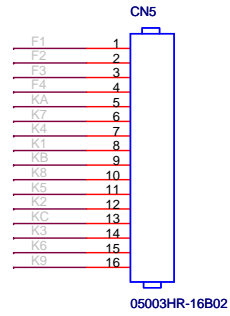
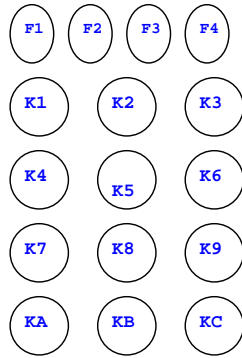
APPROVAL

DRAWING NO 5/5

File ISC-101A.DSN

IDT INC





<b>EL-TECH Electronics</b>					SHEET
					2 / 2
MODEL NAME	isc101a dual			REV	
PART NO	tenkev			DATE	MAR/25/2012
DWG NO	REVISION 2.00			NO	UPDATE
DRAW	DESIGNE	CHECK	APPROVAL		