

User manual for IHB617B



HOME MUSIC SYSTEM

SAFETY PRECAUTIONS

Read these safety instructions before using your device and store them for possible future reference.



CAUTION: To reduce the risk of electric shock. Do not remove the cover (or back). No User-serviceable parts inside. Refer all servicing to qualified service personnel.



The lightning bolt with an arrowhead within a triangle indicates the presence of non-insulated dangerous voltage within the product enclosure that may be of sufficient magnitude to constitute a risk of electric shock to persons.



The exclamation point within a triangle indicates the presence of important operating and maintenance (servicing) instructions in the literature accompanying the unit.

- If the charger cord is damaged, have it repaired by the manufacturer, its service or a similarly qualified person in order to avoid any hazard.
- The power supply must be replaced by a new one in case of malfunction, because this power supply is not repairable
- The charger is not intended for use by persons (including children) with reduced physical, sensory or mental capacity. Persons who have not read the manual, unless they have received explanations by a person responsible for their safety and supervision should not use this unit.
- Children should be monitored to ensure that they do not play with the charger.
- The charger should always be readily accessible.
- The device should not be exposed to dripping or splashing water.
- No objects filled with liquids such as vases shall be placed on the device.
- Always leave a minimum distance of 10 cm around the unit to ensure sufficient ventilation.
- Open flame sources, such as candles, should not be placed on top of the device.
- The device is intended for use only in a temperate climate.
- **CAUTION:** Danger of explosion if battery is incorrectly replaced or not replaced by the same type or equivalent.
- The battery should not be exposed to excessive heat such as sunshine, fire or similar.
- Different types of batteries, new and used batteries should not be mixed.
- The battery must be installed according to the polarity.
- If the battery is worn, it must be removed from the product.
- The battery must be disposed of safely. Always use the collection bins provided (check with your dealer) to protect the environment.

- At full volume, prolonged listening to the portable audio device may damage the user's hearing and cause hearing troubles (temporary or permanent deafness, hearing drone, tinnitus, hyperacusis).
- So we recommend not to listen to the portable audio device at high audio volume and no more than one hour per day at medium audio volume.

SWITCH OFF IN RESTRICTED AREAS

Switch the device off where the use of the device is not allowed or where there is a risk of causing interference or danger, for example on board an aircraft, near medical equipment, fuel, chemicals or blasting sites.

ROAD SAFETY COMES FIRST

Check the current laws and regulations regarding the use of this device in the areas where you drive.

- Do not handle the device when driving.
- Concentrate fully on the driving
- Radio signals could affect some of the car's electronic systems such as the audio stereo and alarm systems.

INTERFERENCE

All wireless devices are susceptible to interference which may affect their performance.

All our device conform to international standards and regulations, and if need be national ones, with a view to limiting user exposure to electromagnetic fields. These standards and regulations were adopted after the completion of extensive scientific research. This research established no link between the use of the mobile headset and any adverse effects on health if the device is used in accordance with standard practices.

AUTHORISED PERSONNEL

Only qualified people are authorized to install or repair this product

ACCESSORIES

Only use batteries, chargers and other accessories which are compatible with this equipment. Do not connect incompatible products.

KEEP THE EQUIPMENT DRY

This equipment is not water proof. Keep it dry.

CHILDREN

Keep your device in a safe place, out of the reach of young children. The device contains small parts that may present a choking hazard.

SAFETY MECHANISM

This unit incorporates a safety interlock mechanism which switches the laser beam on and off, so that when the disc holder is open, the laser beam stops automatically.



This set employs an optical laser beam system in the CD mechanism designed with built-in safeguards. Do not attempt to disassemble. Exposure to this invisible laser light beam may be harmful a human eye. This is a Class 1 laser product. Use of controls, adjustments or procedures other than those specified here in may result in hazardous laser light beam exposure. This compact disc player should not be adjusted or repaired by anyone except qualified service personnel. The laser mechanism in the set corresponds to the stylus (needle) of a record player. Although this product uses a laser pick-up lens, it is completely safe when operated according to directions.

Specifications:

Rated voltage : AC 100-240V 50/60Hz, DC 9V 1.5A

Frequency Response : 180~16KHz

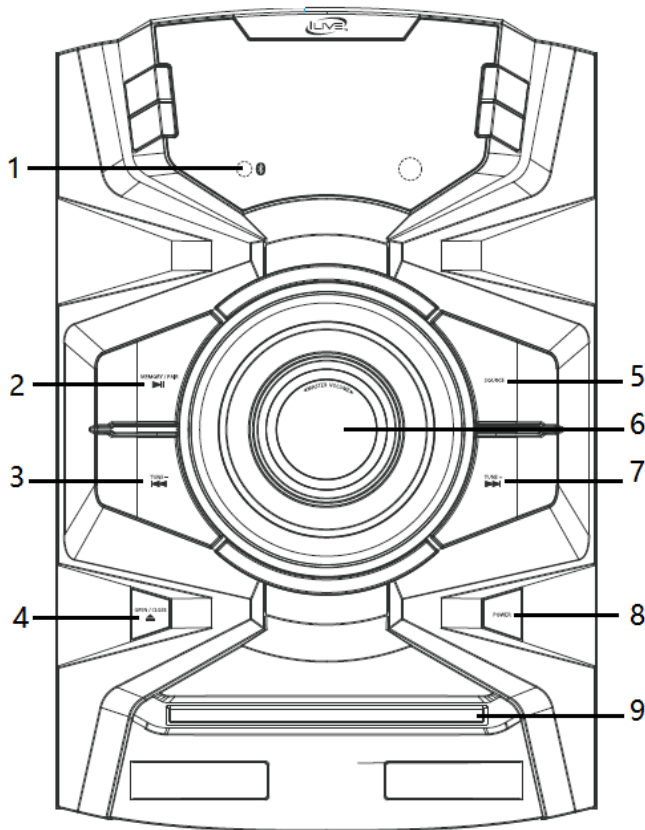
Power : 5W x 2

Bluetooth compatible version : 2.1

Working range : 10m

AUX-in port, Bluetooth, FM radio, CD

DESCRIPTION FOR THE FRONT PANEL



1. Bluetooth indicator
2. Memory/Pair/Play/Pause
3. Tune-/Last
4. Open/Close
5. Source
6. Volume Knob
7. Tune+/Next
8. POWER
9. CD gate

MEMORY/PAIR/PLAY/PAUSE:

- Under Bluetooth or CD mode, short press it to play or pause the music playing.
- Under Bluetooth mode, long press it and open the Bluetooth on your device, the Bluetooth name "IHB617" will be shown on your Bluetooth searching list. And then you can choose and pair with it. If your device was paired successfully, you wanted to connect the unit with another device, please long press this button again, it will cut off the previous connection.
- Under FM mode, long press this button, it will search for the FM channels automatically.

TUNE-/LAST:

Under FM mode, short press it to choose last FM channel. Long press it to search for the FM channels backward manually.

OPEN/CLOSE: Press to open/close the CD door

SOURCE: Press it to switch among CD, Bluetooth, FM and AUX mode..

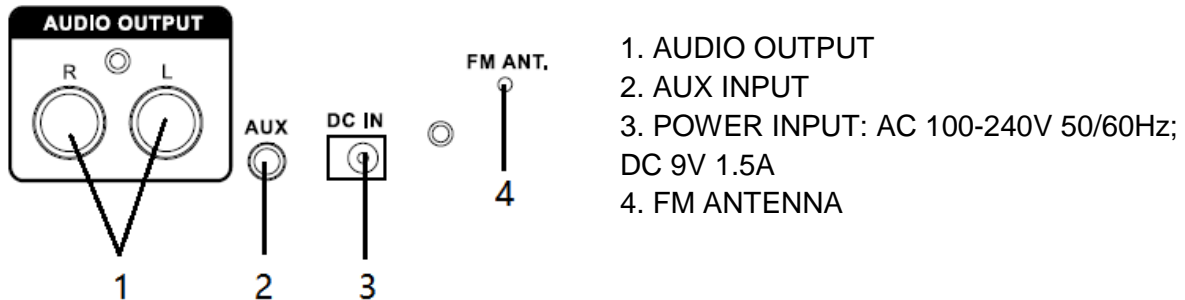
VOLUME KNOB: Rotate it clockwise to increase the volume; Rotate it anticlockwise to decrease the volume .

TUNE+/NEXT:

Under FM mode, short press it to choose next FM channel. Long press it to search for the FM channels forward manually.

POWER: Press to make the unit power ON/OFF.

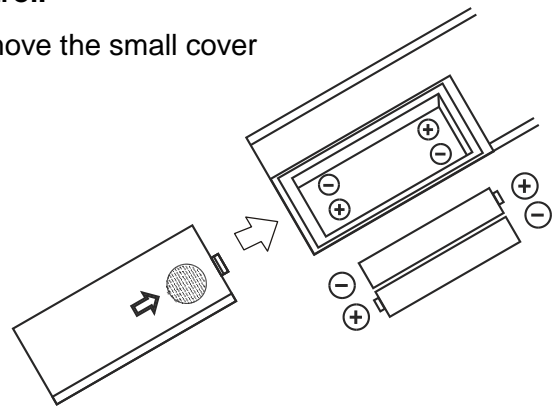
DESCRIPTION FOR THE REAR PANEL



BATTERY INSTALLATION REMOTE CONTROL

Method for installing the batteries of the remote control.

1. Turn to the back side of the remote control and remove the small cover
2. Install 2 x AAA batteries (*not included*) properly
3. Fit on the small cover.

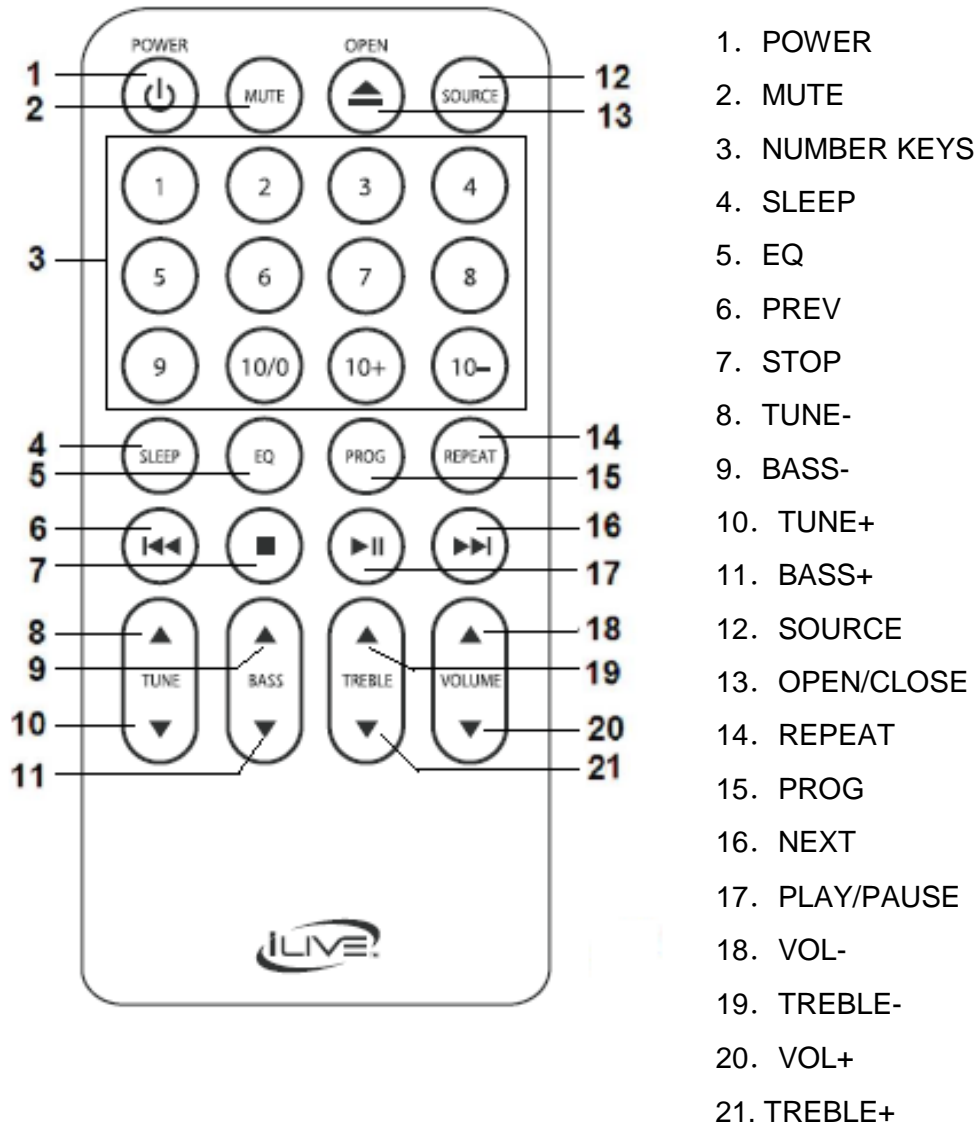


Others:

1. Please do not use the rechargeable battery
2. Do not mix use the battery with different brand and type for the remote control. Please do not use the new and old batteries together.
3. When the remote control's function is not so strong or the control range becomes smaller, please change the 2pcs x AAA batteries together.
4. If the unit will not be used for a long time, please take out the batteries from the remote control so as not lead to battery liquid leak, corrosion and unit damaged.
5. Do not put the remote control on the high temperature high humidity place.
6. Please do not disassemble the remote control.

7. Please do not let the remote control or the infrared reception head of the panel glared by the strong light. Otherwise it will interfere the remote control's signals.
8. The effect will be excellent when the remote control is operated within 5m distance and within the angle of 30°.

DESCRIPTION OF THE REMOTE CONTROL



NOTE: batteries 2 x AAA NOT INCLUDED.

FUNCTION INSTRUCTION FOR REMOTE CONTROL

1. POWER

Press this key to make the unit POWER ON or OFF.

2. **MUTE:** Press it will make sound off; press it again will make sound on.

3. NUMBER KEYS:

It includes 0-10 number keys and 10+/10- keys. You can press them to select the file which you want directly.

4. SLEEP

When pressing this key, there are several options for setting the sleeping time. That means the unit will be power off automatically after playing the music for times which you choose. This function is suitable for listening the music before sleep.

5. **EQ:** Press this key, you can choose FLAT, JAZZ, ROCK, POP or CLASSIC EQ mode.

6. **PREV:** Press it to select the last file or channel.

7. **STOP:** Press it to stop the music playing.

8. **TUNE-:** Under FM mode, press it to search for the FM channels backward manually.

9. **BASS-:** Press it to decrease the BASS volume.

10. **TUNE+:** Under FM mode, press it to search for the FM channels forward manually.

11. **BASS+:** Press it to increase the BASS volume.

12. **SOURCE:** Press it to switch among CD, Bluetooth, FM and AUX mode.

13. **OPEN/ CLOSE:** Open or Close the disc tray.

14. **REPEAT:** Press this key, it will repeat the file playing.

15. PROG:

During CD playback, press STOP, and then press PROG to enter program status, then press LAST or NEXT button to choose the track, and then press PROG button to store. By this way,

you can program as many as 20 tracks. After programming, press **PLAY/PAUSE** button to play according to the programmed sequence. You may press **STOP** button to cancel the program status.

16. NEXT: Press it to select the next file or channel.

17. PLAY/PAUSE: Press it to make the music play or pause.

18. VOL -: Press this key to decrease the volume.

19. TREBLE-: Press it to decrease the treble volume.

20. VOL+: Press it to increase the volume.

21. TREBLE+: Press it to increase the treble volume.

BASIC OPERATION

1. CD PLAYING

Press **POWER** to make the unit ON, and then press **SOURCE** to enter into CD mode.

2. FM RADIO

- Press **SOURCE** to choose FM mode, and then please long press **PLAY/PAUSE**, it will search for the FM channels and save the stations automatically.

- Long Press **TUNE-/PREV** on the front panel, or Press **TUNE-** on the remote, you can choose the last FM channel. Long Press **TUNE+/NEXT** on the front panel, or Press **NEXT** on the remote, you can choose the next FM channel.

- Short Press **TUNE-/PREV** and **TUNE+/NEXT** on the front panel, or Press **TUNE-** and **TUNE+** on the remote, you can make the fine-tuning for the FM frequency .

3. BLUETOOTH

- Press **SOURCE** to choose **BLUETOOTH** mode, it will enter into the Bluetooth mode. And then please open the Bluetooth function on your mobile phone or others Bluetooth device, it will begin to search for the Bluetooth device.

This unit's Bluetooth name is "**IHB617**"; finally your phone will match with this unit successfully.

4. AUX IN

Press **SOURCE** key to choose AUX mode, it will enter into the AUX IN mode.

TROUBLE SHOOTING

Before contact with the repair person, you should check the problem reason follow the instructions.

Phenomenon	Reasons	Solution
No function light or No sound	Power Adapter is not connected well.	Insert the power adapter into the electric outlet well.
Function light is ON, but No sound	Cable disconnected	Turn off the power, check the input jack, to ensure the proper signal is connected to relevant input jack.
	Failed when connect to the Bluetooth device	To connect the Bluetooth device properly, and make sure it was connected successfully.
	Volume was set at 0 degree or at Mute status.	To add the volume at the proper degree or press the MUTE key again on the remote

NOTE: This equipment has been tested and found to comply with the limits for a Class B digital device, pursuant to part 15 of the FCC Rules. These limits are designed to provide reasonable protection against harmful interference in a residential installation. This equipment generates uses and can radiate radio frequency energy and, if not installed and used in accordance with the instructions, may cause harmful interference to radio communications. However, there is no guarantee that interference will not occur in a particular installation. If this equipment does cause harmful interference to radio or television reception, which can be determined by turning the equipment off and on, the user is encouraged to try to correct the interference by one or more of the following measures:

- Reorient or relocate the receiving antenna.
- Increase the separation between the equipment and receiver.
- Connect the equipment into an outlet on a circuit different from that to which the receiver is connected.
- Consult the dealer or an experienced radio/TV technician for help

Changes or modifications not expressly approved by the party responsible for compliance could void the user's authority to operate the equipment. This device complies with Part 15 of the FCC Rules. Operation is subject to the following two conditions:

- 1) This device may not cause harmful interference.
- 2) This device must accept any interference received, including interference that may cause undesired operation.