

---

# F3

## User's Manual

### FCC ID: 2ABM9F3

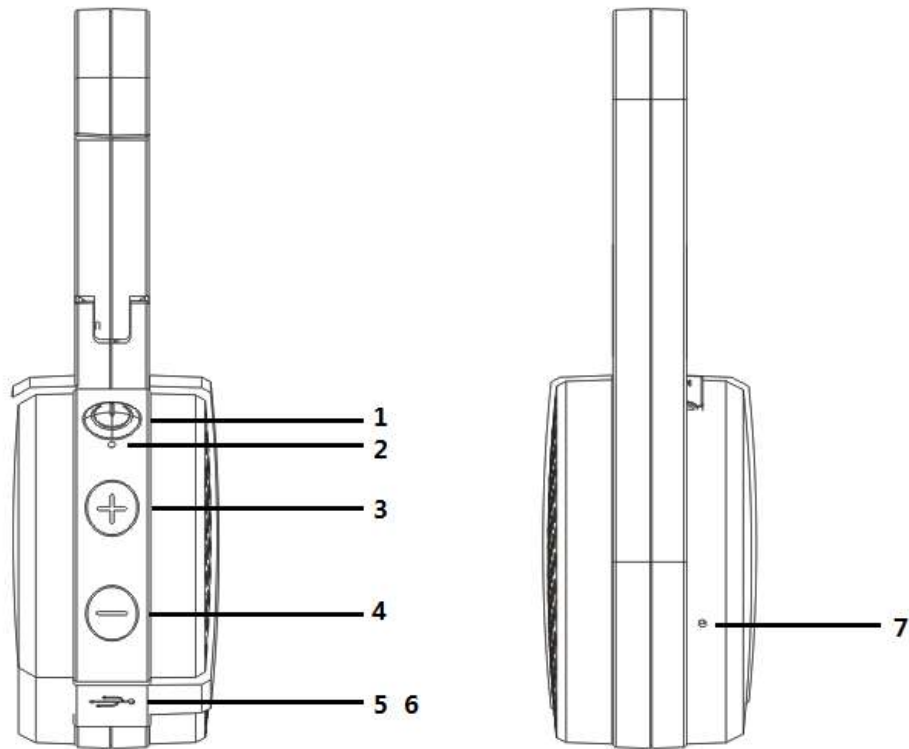
#### 1. Key Feature

- Bluetooth 2.1+EDR
- Internal rechargeable Li-ion battery, single fully charge with 4-hour operating lifetime
- Voice Prompt for convenient feedback during Bluetooth Mode
- Connectivity:
  - Bluetooth profiles: A2DP, AVRCP, HFP
  - Bluetooth range: Line of sight, 10M or 30FT

#### 2. Audio Performance:

- Driver: 1.5" full range driver
- RMS Output: 2W @10%
  - System SNR: >65 dB @ 1W
  - THD: <10% at the Max Volume
  - Loudness: SPL >60dB @ 1kHz sine wave
  - Frequency response: 130Hz – 20kHz

#### 3. Operating Instruction



No#	Instruction
①	Long pressing for Power on/off Short pressing for play/pause Short pressing for hand free when the call coming or hang up the phone Short pressing 2 times for disconnecting Bluetooth Device
②	BT mode indication LED
③	Short pressing for volume up(step by step) Long pressing for selecting the next song
④	Short pressing for volume down(step by step) Long pressing for selecting the previous song
⑤-⑥	Micro USB charging port
⑦	Charging indication LED

### 3.1 LED

#### Charging LED

- Charging - Red
- Fully charged - LED off

#### Mode LED

- Bluetooth mode-- Blue fast flashing
- Bluetooth paired and connected--Blue slow flashing

---

### 3.2 VOICE

Power on-“Welcome”

Pairing mode-“Waiting to connect Bluetooth Device” 1 minute for a loop

Connected mode -----“Connected to Bluetooth Device”

Phone coming-----Standard ring tone

Max volume----Audio pause 1sec for warning

#### **FCC Warning:**

Changes or modifications not expressly approved by the party responsible for compliance could void the user's authority to operate the equipment.

This device complies with Part 15 of the FCC Rules. Operation is subject to the following two conditions:

(1) this device may not cause harmful interference, and

(2) this device must accept any interference received, including interference that may cause undesired operation.