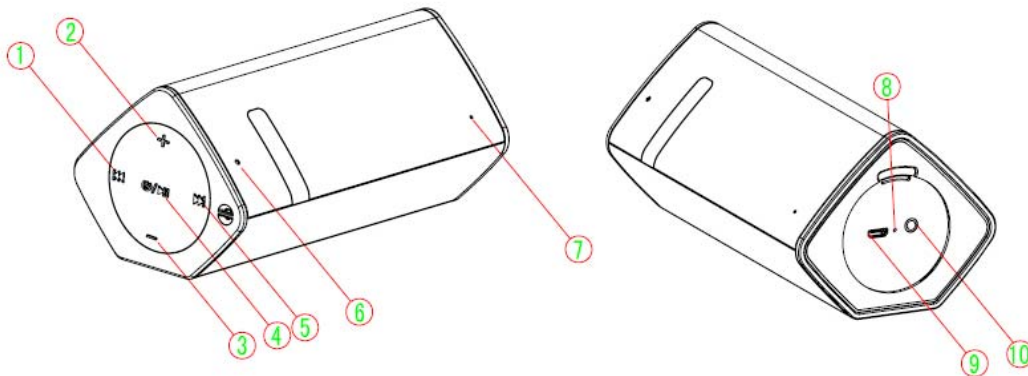


User Manual

1.1 Operating Instruction



No#	Instruction
①	Short pressing to return to the beginning of song,2 times continuous short pressing to go previous, long pressing (more than 2 seconds)for selecting previous songs
②	Short pressing for volume up(step by step),long pressing(more than 2 seconds) for maximum volume
③	Short pressing for volume down(step by step),long pressing(more than 2 seconds) for minimum volume
④	3 seconds Long pressing for Power on/off, shorting pressing for play/pause, handfree when call coming or hang up the phone call
⑤	Short pressing to go next, long pressing (more than 2 seconds)for selecting next songs
⑥	Mode Indication Led
⑦	Microphone
⑧	Charging indication Led
⑨	Charging slot
⑩	Aux-in slot
Pressing ①⑤ at the same time to cut off connected Bluetooth device and enter into pairing mode	

1.2 Indication Led

1. Charging Led :charging-solid red, fully charged-Led off
2. Mode Led
 - Bluetooth mode, pairing-- blue fast flashing, paired and connected--blue slow flashing
 - AUX-in mode, solid red

1.3 Voice Prompt

1. Power on-“Welcome”
2. Pairing mode-“Waiting to connect to Bluetooth Device”
3. connected mode ----- “Connected to Bluetooth Device”
4. Phone coming-----standard ring tone
5. Max volume----audio pause 1sec for warning
6. Bluetooth LEVEL: 3-5DB

FCC WARNING

This device complies with Part 15 of the FCC Rules. Operation is subject to the following two conditions:

- (1) This device may not cause harmful interference, and
- (2) this device must accept any interference received, including interference that may cause undesired operation.

NOTE 1: Any changes or modifications to this unit not expressly approved by the party responsible for compliance could void the user's authority to operate the equipment.