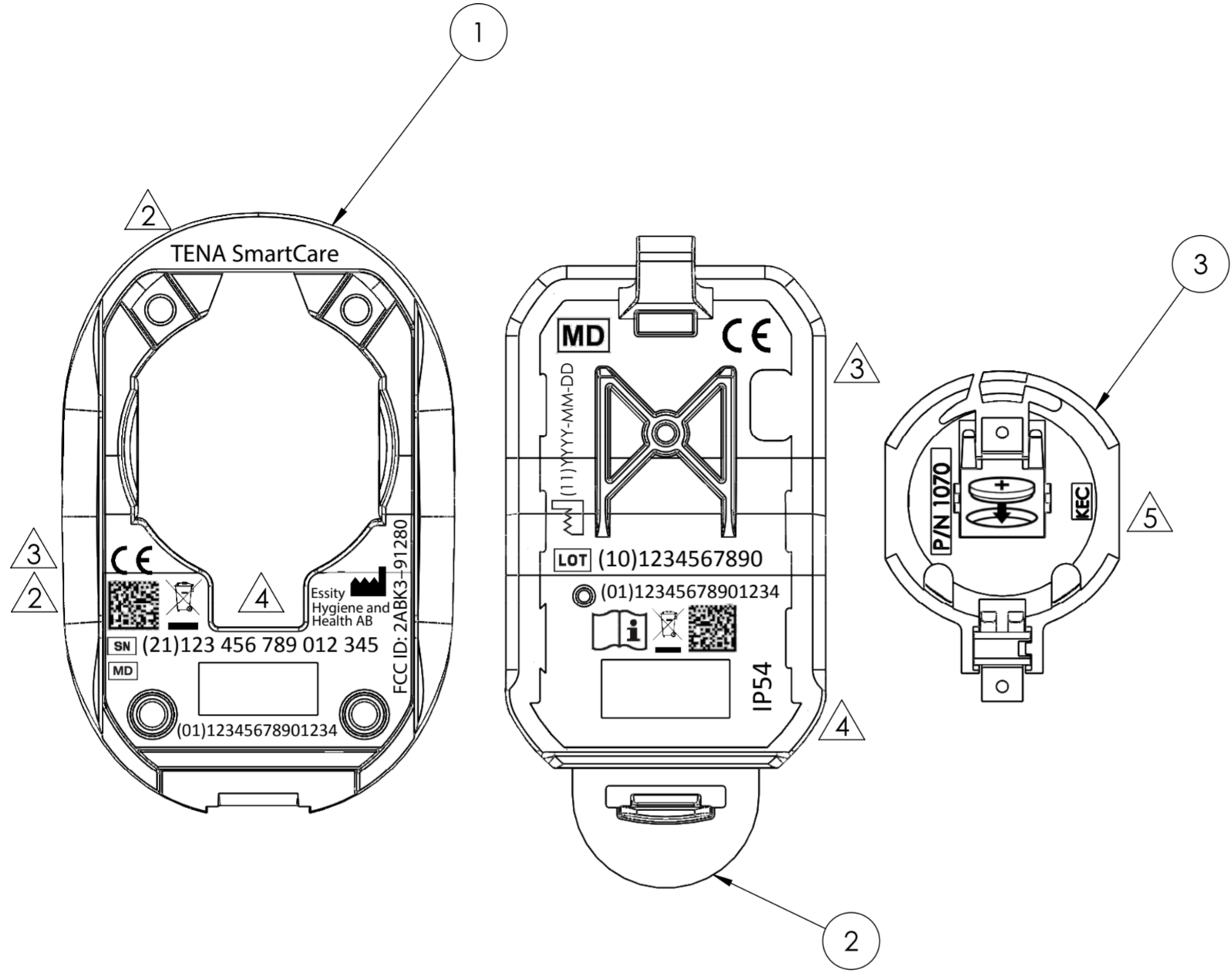


12 11 10 9 8 7 6 5 4 3 2 1

H
G
F
E
D
C
B
A



REVISIONS				
ZONE	REV.	DESCRIPTION	DATE	APPROVED
n/a	1	INITIAL REVISION	2019-02-01	
C2, E10, F9	2	THE DESCRIPTION TABLE IS UPDATED, MD-SYMBOL IS ADDED, FCC ID SMD IC ARE REMOVED	2019-05-16	
E10, F7	3	CE-MARKING ADDED	2019-05-21	
E7, E9	4	LAYOUT UPDATED	2019-09-25	
E6	5	BATTERY HOLDER ADDED	2019-10-09	
E7, E8 E9	6	UPDATED IP-CLASS, REMOVED REF NR.	2020-02-25	
F9, E9	7	ADDED TEXT, MOVED MD SYMBOL	2020-05-27	
E8	8	ADDED FCC ID	2020-12-09	

GENERAL NOTES:

DRAWING TO BE USED FOR LABEL REFERENCES ONLY

ITEM NO.	PART NUMBER	DESCRIPTION	QTY.
1	110786-2CD002-06 Mainbody	TENA SmartCare Transmitter Main Body	1
2	110786-2CD003-10 Connector	TENA SmartCare Transmitter Connector	1
3	keystone-PN1070	Battery holder	1

DWG NO. 110786-2AD004-07 Symbol labeling DRAWING		DWG REVISION 07	NAME LABELS
SCALE 2:1	PROJ	3D MODEL REVISION see note	DRAWN MICHELLE ARBORELIUS
FORMAT A2		DATE 2020-05-27	
SHEET 1 OF 1			

12 11 10 9 8 7 6 5 4 3 2 1