

# SPECIFICATION FOR APPROVAL

CUSTOMER:

ROHS

CUSTOMER P/N:

TITLE:

DATE: 2021/8/25

HRSW MODLE : G50开槽+胶 20长

REV. NO. : A0

PLEASE RETURN TO US COPY OF "SPECIFICATION FOR APPROVAL "WITH YOUR APPROVED

APPROVED <input type="checkbox"/>	REJECTED <input type="checkbox"/>	“ ✓ ”
CUSTOMER'S SIGNATURE _____		

REV	DATE	CHANGED CONTENTENTS &CHANGED REASONS	DRAWN	CHECKED	APPROVED
A0	2021/8/25	NEW RELEASE	何伟华	谢超	韦立红

鸿日升威科技有限公司

HRSW ELECTRONICS CO.,LTD

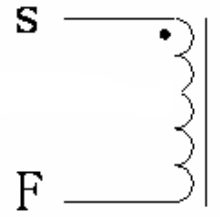
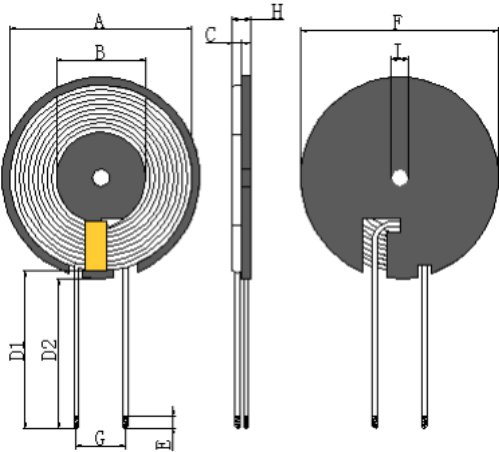
ADD: 深圳市龙华新区观澜镇环观中路48号B栋2楼  
ADD: 2nd Floor, Building B, 48 Huanguan Middle Road, Guanlan  
Town, Longhua New District, Shenzhen City

TEL: 15112254520 FAX: +86-0755-28015170

# SPECIFICATION FOR APPROVAL

## 1. MECHANICAL DIMENSION (UNIT:mm)

## 2. SCHEMATICS:



A	B	C	D1	D2	E	F	G	H	I
50±0.5	20.5±0.5	30±0.2	42±0.2	40±0.2	3-4MM	50±0.2		2.3±0.5	5±0.5

## 3. WINDING:

ST EP	START-FINISH	WIRE TYPE	TURNS	TAPE	REMARK
N1	S-F	∅0.08*105mm 2UEW	10TS (Ref)		

## 4. ELECTRICAL SPECIFICATION:

ITEM	L	DCR	IDC	Q值	HI-POT
TEST CON	S-F 100KHz, 0.25V	S-F AT 25°C			
SPEC	6.5uH±10%	60mΩ Max			

## 5. BILF OF MATERIAL:

NO.	ITEM	MATERIAL SPECIFICATION	MANUFACTURER	SGS NO.
1	CORE	G45L	NANJINGJINNINGCO,LTD	
2	CORE	L33H PRQ3/2.5/0.9	NANJINGJINNINGCO,LTD	
3	WIRE	∅0.08mm*105 2UEW	TAIYI CO.,LTD	
4	TUBE	10mm	LIANCHENG CO.,LTD	
5	EPOXY	9999	CUDAK CO.,LTD	

HRSW ELECTRONICS CO.,LTD	PART NO	
	TITLE	G50开槽
DRAWN BY	CHECKED BY	APPROVED BY
何伟华	谢超	韦立红