

# DO NOT PRINT THIS PAGE

## Printing Notes:

**Material:** 80 GSM Bond Paper or 50# Bond Paper White

**Ink:** Black

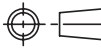
**Resolution:** 150 DPI or above

**Printing method:** Offset Printing

**Binding:** Saddle Stitch

**Folded size:** 210 x 148 mm (H x W)

*This drawing contains proprietary information and trade secrets of The Furrion Company, Inc.  
Unauthorized use or copying is prohibited.*

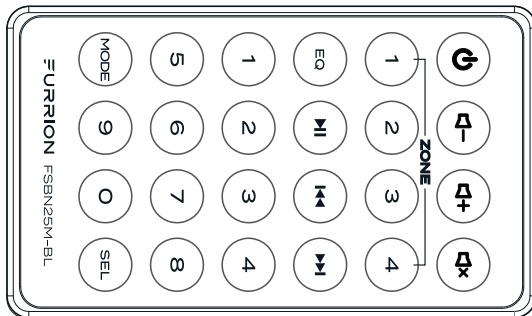
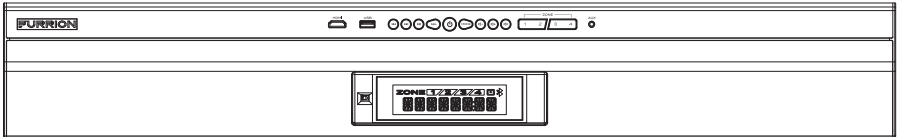
METRIC [INCH]							
METRIC [INCH]		2.0	08-Feb-18	Updated the remote control.	Streng Shi	xxxxxx	
<div style="border: 1px solid black; border-radius: 10px; padding: 2px; display: inline-block;">CRITICAL DIMENSION</div> CHECKING IS COMPULSORY		1.2	29-Jan-18	Changed per PE & QA's comments.	Streng Shi	xxxxxx	
		1.1	18-Dec-17	Correct some descriptions per outsourced Tech. Writer's comments.	Streng Shi	XX	
VOLUME	cm <sup>3</sup>	1.0	13-Dec-17	NEW	Sally Peng	XX	
MASS	grams	REV.	DATE	MODIFICATIONS	NAME	ECN NO.	
DENSITY	g/cm <sup>3</sup>	MATERIAL: SEE NOTES			The Furrion Company, Inc.		
GENERAL TOLERANCES EXCEPT AS NOTED 0 TO 6mm = ±0.1 >6 TO 30mm = ±0.2 >30 TO 80mm = ±0.3 >80 TO 180mm = ±0.4 >180mm = ±0.5 ANGULAR = ± 3°		FINISH SPEC: SEE NOTES			COMPOSITE-NO	SHEET 1 OF 1	
		SCALE: 1:1	DATE: 13-Dec-17	DRAWN BY: Sally Peng	APPROVED BY:	REVISION: 2.0	
		NAME: IM for 4-zone Soundbar Speaker				PART NO. IM-FAV00008	

# FURRION

## 4-zone Soundbar Speaker

### *Instruction Manual*

Model: FSBN25M-BL



# **Welcome**

Thank you for purchasing this Furrion® 4-zone Soundbar Speaker. Before operating your new product, please read these instructions carefully. This instruction manual contains information for safe use, installation and maintenance of the product.

Please keep this instruction manual in a safe place for future reference. This will ensure safe use and reduce the risk of injury. Be sure to pass on this manual to new owners of this product.

The manufacturer does not accept responsibility for any damages due to not observing these instructions.

If you have any further questions regarding our products, please contact us at **[support@furrion.com](mailto:support@furrion.com)**

# Contents

<b>Welcome .....</b>	<b>2</b>
<b>Contents .....</b>	<b>3</b>
<b>Important Safety Instructions.....</b>	<b>4</b>
FCC Statement .....	4
IC Statement .....	5
<b>Product Features .....</b>	<b>6</b>
Control Panel .....	6
Remote Control.....	6
<b>Installation .....</b>	<b>7</b>
<b>Operation.....</b>	<b>8</b>
Basic Operation.....	8
Audio Operation.....	9
USB Operation.....	10
BT Audio Playback Operation .....	11
<b>Electrical Connection.....</b>	<b>12</b>
Wiring Diagram .....	12
Speaker and Power Wire Socket View.....	12
<b>Specification .....</b>	<b>13</b>
<b>Warranty.....</b>	<b>14</b>

# Important Safety Instructions



## CAUTION

RISK OF ELECTRIC SHOCK  
DO NOT OPEN



**WARNING:** TO REDUCE THE RISK OF ELECTRIC SHOCK, DO NOT EXPOSE THIS APPLIANCE TO RAIN OR MOISTURE.

**CAUTION:** TO REDUCE THE RISK OF ELECTRIC SHOCK, DO NOT REMOVE COVER (OR BACK). NO USER-SERVICEABLE PARTS INSIDE. REFER SERVICING TO QUALIFIED SERVICE PERSONNEL.



The lightning flash with arrowhead symbol, within an equilateral triangle, is intended to alert the user to the presence of uninsulated dangerous voltage within the products enclosure that may be of sufficient magnitude to constitute a risk of electric shock to persons.



The exclamation point within an equilateral triangle is intended to alert user to the presence of important operating and maintenance (servicing) instructions in the literature accompanying the appliance.

## FCC Statement

---

This device complies with part 15 of the FCC Rules.

Operation is subject to the following two conditions:

- (1) This device may not cause harmful interference, and
- (2) this device must accept any interference received, including interference that may cause undesired operation.

**NOTE:** This equipment has been tested and found to comply with the limits for a Class B digital device, pursuant to Part 15 of the FCC Rules. These limits are designed to provide reasonable protection against harmful interference in a residential installation. This equipment generates, uses and can radiate radio frequency energy and, if not installed and used in accordance with the instructions, may cause harmful interference to radio communications.

However, there is no guarantee that interference will not occur in a particular installation. If this equipment does cause harmful interference to radio or television reception, which can be determined by turning the equipment off and on, the user is encouraged to try to correct the interference by one or more of the following measures:

- Reorient or relocate the receiving antenna.
- Increase the separation between the equipment and receiver.
- Connect the equipment into an outlet on a circuit different from that to which the receiver is connected.
- Consult the dealer or an experienced radio/TV technician for help.

# ***Important Safety Instructions***

**WARNING:** Changes or modifications to this unit not expressly approved by the part responsible for compliance could void the user's authority to operate the equipment.

## **FCC Radiation Exposure Statement**

The device has been evaluated to meet general RF exposure requirement.  
The device can be used in portable exposure condition without restriction.

## **IC Statement**

---

This device complies with Canada Industry licence-exempt RSS standard(s). Operation is subject to the following two conditions: (1) this device may not cause interference. and (2) this device must accept any interference. Including interference that may cause undesired operation of the device.

Le présent appareil est conforme aux CNR d'Industrie Canada applicables aux appareils radio exempts de licence. L'exploitation est autorisée aux deux conditions suivantes :

(1) l'appareil ne doit pas produire de brouillage; (2) l'utilisateur de l'appareil doit accepter tout brouillage radioélectrique subi, même si le brouillage est susceptible d'en compromettre le fonctionnement.

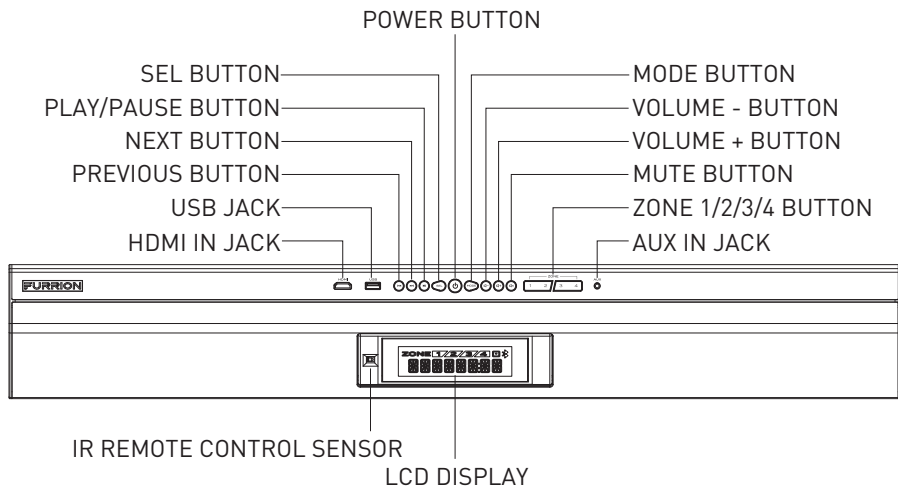
### **IC Radiation Exposure Statement**

This equipment complies with IC RSS-102 radiation exposure limits set forth for an uncontrolled environment.

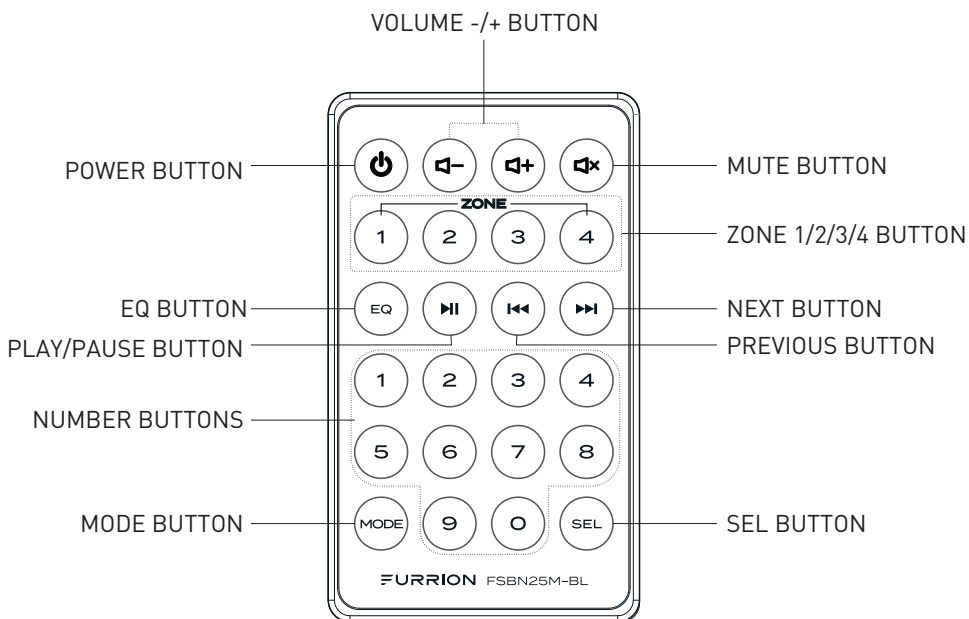
Cet équipement est conforme aux limites d'exposition aux radiations IC CNR-102 établies pour un environnement non contrôlé.

# Product Features

## Control Panel

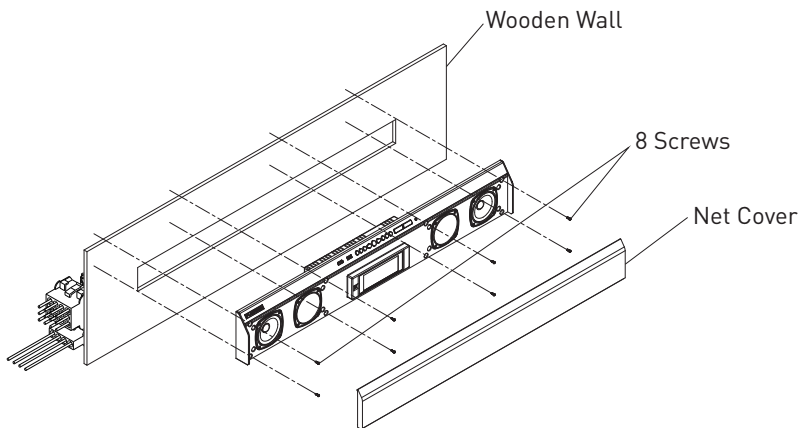


## Remote Control



# Installation

- Before finally installing the unit, connect the wiring temporarily and make sure the unit and the system work properly.
- Fix the unit with screws according to following diagram.



1. Remove the Net Cover from the main unit.
2. Fix the unit with 8 piece (#8) pan-head self-tapping screws.
3. Put the Net Cover back on the main unit.



# Operation

## Basic Operation

---

1. To turn the unit On/Off  
When the unit is Off, it may be switched On by pressing **POWER** button. When the unit is On, short press **POWER** button to switch the unit Off.
2. To select function mode  
Press **MODE** button repeatedly to select RADIO, USB (only available when a USB storage is inserted), AUX IN, OPTICAL, TV, DVD or BT mode.
3. To adjust the volume  
During playback, press **VOLUME +/VOLUME -** button to increase/decrease the volume.
4. To mute or resume sound  
During playback, press **MUTE** button to silent the unit, press again to resume the sound immediately.
5. To select and adjust the mode of the sound and menu  
Press **SEL** button repeatedly to select the mode of VOL, BAS, TRE(treble), BAL (balance), SUB IN/SUB EXT, LOUD OFF/LOUD ON, EQ OFF/FLAT/ROCK/POP/-CLASSIC, RPT OFF/RPT ONE/RPT DIR (in USB mode), RDM OFF/RDM ON (in USB mode), DEVOL, DX/LOCAL (in RADIO mode), STEREO/MONO (in RADIO mode) in the sequence and circulation.  
Press **VOLUME +/VOLUME -** button to select your desired mode.
6. To select a preset EQ mode  
Press **EQ** button repeatedly on the remote control to select the preset music equalizer curves: EQ OFF, CLASSIC, POP, ROCK, FLAT. The sound effect will be changed accordingly.
7. ZONE 1/2/3/4 Button  
Press **ZONE1/2/3/4 button** will turn on or off the audio source in each of speakers. The corresponding icon "ZONE 1", "ZONE 2", "ZONE 3", or "ZONE 4" will be displayed on LCD once it is selected.
8. To reset the unit  
If the display is incorrect, or the function buttons are not effective or the sound is distorted. Switch the unit to **AUX IN** mode, press and hold **MODE** button for more than 6 seconds to make the unit return to factory default settings and re-instate the correct functions.

# Operation

## Audio Operation

---

### 1. FREQUENCY SELECT

In RADIO mode. Press and hold **SEL** button for about 2 seconds to switch to radio region selection mode, then press **VOLUME +** or **VOLUME -** to select AREA USA or AREA EUR.

### 2. TUNE/SEEK UP/DOWN

In RADIO mode:

- 1) Press and hold **◀◀** or **▶▶** button on the front panel or press and hold **◀◀** or **▶▶** button on the remote control to automatically search up or down for an available station from the current frequency.
- 2) Press **◀◀** or **▶▶** button on the front panel or press **◀◀** or **▶▶** button on the remote control to manually search up or down step by step for your desired station from the current frequency.

### 3. AS & PS FUNCTION

In RADIO mode:

- 1) When pressing and holding **ZONE 1** button on the front panel, the radio searches from the lowest frequency and checks the signal strength until one cycle search is finished, then the 10 strongest stations are saved to the corresponding preset number memory band (FM0~FM9).  
When the AS operation is finished, it will resume broadcasting the previous radio station.
- 2) When pressing and holding **ZONE 2** button on the front panel, the radio searches for each preset station from FM0. If the signal strength of the field is stronger than the current station, the radio holds at that station for a few seconds with releasing mute, and then searches again.  
After PS operation is finished, it will resume broadcasting the previous radio station.

### 4. PRESET STATION AND PRESET NUMBER [ 0-9 ] BUTTONS

In RADIO mode:

- 1) To memorize the current frequency station:
  - a) Press and hold one of the 10 number buttons (0-9) on the remote control to store the current station.
  - b) Press and hold the **PLAY/PAUSE** button until the preset number flashes, then press **PLAY/PAUSE** button repeatedly to select the preset numbers from 0 to 9. Press and hold **PLAY/PAUSE** to confirm the selection.
- 2) To recall the preset memory on the current band, press one of the 10 number buttons (0-9) on the remote control to broadcast the corresponding preset station.

## USB Operation

---

1. Pause Playback  
During playback, press **PLAY/PAUSE** button on the front panel or remote control to pause the playback, press **PLAY/PAUSE** button again to resume normal playback.
2. Select Chapter  
During playback, press **⏮** or **⏭** button on the front panel or on the remote control to select the previous or next chapter to playback, press the number buttons on the remote control of playing the selected chapter directly. Under RPT DIR mode, press the number buttons from currently DIR.
3. Select Chapter  
Press and hold **Zone1/2** or **Zone3/4** button on the front panel to select the previous or next DIR.
4. To repeat track(s)
  - During playback, press **SEL** button repeatedly and select the RPT ONE mode to play the current track repeatedly.
  - During playback, press **SEL** button repeatedly and select the RPT DIR mode to play the tracks in the album repeatedly.
  - During playback, press **SEL** button repeatedly and select the RPT OFF mode to cancel RPT function.
5. To play tracks in random
  - During playback, press **SEL** button repeatedly and select the RDM ON mode to play all tracks in random.
  - During playback, press **SEL** button repeatedly and select the RPT OFF mode to cancel RDM function.

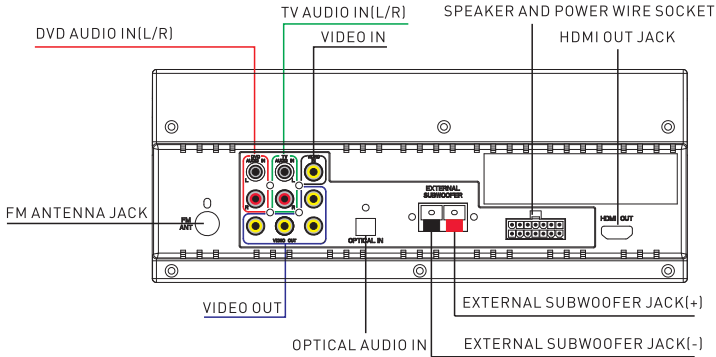
## BT Audio Playback Operation

---

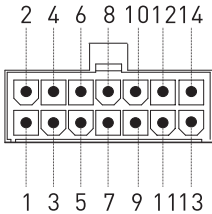
1. Pairing and connection
  - a) Turn on the Bluetooth mode of your external Bluetooth device.
  - b) Select the item from Finding the Bluetooth Device and enter it. After the device search is complete, it will show the name of the Bluetooth Device FSNB25M-BL-XXXXX (where X can be any character A-Z or number 0-9). Select it and enter it, a window will pop up and ask you to input a password, input 0000 and enter it. Then it will tell you pair OK.
  - c) Once paired successfully, the LCD will display LINK OK. If pairing failure, the LCD will display NO LINK.
2. To play audio file from an external Bluetooth device to the unit  
If your mobile device supports A2DP then you will be able to stream music from your Bluetooth device so it can be played by stereo speaker. Select your Bluetooth device to play the audio through Bluetooth. If your mobile device supports AVRCP then you will be able to control the basic audio output functions by the Wall-mount Stereo controls. Eg. Play/Pause.

# Electrical Connection

## Wiring Diagram



## Speaker and Power Wire Socket View



PIN NO	COLOR	FUNCTION
1	ORANGE/BLACK	ZONE 4 LEFT SPEAKER (-)
2	ORANGE	ZONE 4 LEFT SPEAKER (+)
3	BLUE/BLACK	ZONE 4 RIGHT SPEAKER (-)
4	BLUE	ZONE 4 RIGHT SPEAKER (+)
5	GREEN/BLACK	ZONE 3 LEFT SPEAKER (-)
6	GREEN	ZONE 3 LEFT SPEAKER (+)
7	VIOLET/BLACK	ZONE 3 RIGHT SPEAKER (-)
8	VIOLET	ZONE 3 RIGHT SPEAKER (+)
9	WHITE/BLACK	ZONE 2 LEFT SPEAKER (-)
10	WHITE	ZONE 2 LEFT SPEAKER (+)
11	GRAY/BLACK	ZONE 2 RIGHT SPEAKER (-)
12	GRAY	ZONE 2 RIGHT SPEAKER (+)
13	BLACK	GROUND
14	RED	POWER +12VDC 10A FUSE

### Supported Audio Format

File Extension	Audio Code	Bit Rate	Sampling Rate	Remark
.mp3	MP3	16kbps - 320kbps	8k - 48kHz	
.wma	WMA	16kbps - 320kbps	8k - 48kHz	WAM only support WMA7/WMA8/WMA9 (CBR/VBR) (only support 353 format)

NOTE: Reading the above file formats is not guaranteed.

# Specification

## GENERAL

Supply Voltage	DC 12V
Current Consumption	Max. 10A
Power Output	8 x 10W + 20W + 10.5W
Number of channels	4 STEREO Channels
Dimensions (W x H x D)	31 <sup>7</sup> / <sub>8</sub> " x 4 <sup>1</sup> / <sub>6</sub> " x 4 <sup>7</sup> / <sub>8</sub> " / 810 x 124 x 103.8mm

## FM SECTION

Frequency Range	87.5Mhz - 107.9Mhz (USA)
-----------------	--------------------------

## USB PLAYBACK

System	MP3 Audio System
Frequency Characteristics	20Hz - 100Hz <=5dB
	20Hz - 20KHz <=5dB
Signal to Noise (USB)	50dB [1KHz]
Video In/Out Level	1Vp-p

# Warranty

Furrion warrants for a period of 1 year from date of retail purchase by the original end-use purchaser, that this product, when delivered to you in new condition, in original packaging, from a Furrion authorized reseller and used in normal conditions, is free from any defects in manufacturing, materials, and workmanship. In case of such defect, Furrion shall replace or repair the product at no charge to you. This warranty does not cover: products where the original serial numbers have been removed, altered or cannot readily be determined; damage or loss caused by accident, misuse, abuse, neglect, product modification, failure to follow instructions in instruction manual, commercial or industrial use; damage or loss caused to the decorative surface of product; to any data, software or information; and normal wear and tear. This warranty only protects the original end-user ("you") and is not transferable; any attempt to transfer this warranty shall make it immediately void. This warranty is only valid in the country of purchase.

THIS WARRANTY AND REMEDIES SET FORTH ABOVE ARE EXCLUSIVE AND IN LIEU OF ALL OTHER WARRANTIES, REMEDIES AND CONDITIONS, WHETHER ORAL OR WRITTEN, EXPRESS OR IMPLIED. FURRION SPECIFICALLY DISCLAIMS ANY AND ALL IMPLIED WARRANTIES, INCLUDING, WITHOUT LIMITATION, WARRANTIES OF MERCHANTABILITY AND FITNESS FOR A PARTICULAR PURPOSE. IF FURRION CANNOT LAWFULLY DISCLAIM IMPLIED WARRANTIES UNDER THIS LIMITED WARRANTY, ALL SUCH WARRANTIES, INCLUDING WARRANTIES OF MERCHANTABILITY AND FITNESS FOR A PARTICULAR PURPOSE ARE LIMITED IN DURATION TO THE DURATION OF THIS WARRANTY.

No Furrion reseller, agent, or employee is authorized to make any modification, extension, or addition to this warranty.

# Warranty

FURRION IS NOT RESPONSIBLE FOR DIRECT, INDIRECT, SPECIAL, INCIDENTAL OR CONSEQUENTIAL DAMAGES RESULTING FROM ANY BREACH OF WARRANTY OR CONDITION, OR UNDER ANY OTHER LEGAL THEORY, INCLUDING BUT NOT LIMITED TO LOST PROFITS, DOWNTIME, GOODWILL, DAMAGE TO OR REPLACEMENT OF ANY EQUIPMENT OR PROPERTY, ANY COSTS OF RECOVERING, REPROGRAMMING, OR REPRODUCING ANY PROGRAM OR DATA STORED IN OR USED WITH FURRION PRODUCTS. FURRION'S TOTAL LIABILITY IS LIMITED TO THE REPAIR OR REPLACEMENT OF THIS PRODUCT PURSUANT TO THE TERMS OF THIS WARRANTY.

SOME STATES DO NOT ALLOW THE EXCLUSION OR LIMITATION OF INCIDENTAL OR CONSEQUENTIAL DAMAGES OR EXCLUSIONS OR LIMITATIONS ON THE DURATION OF IMPLIED WARRANTIES OR CONDITIONS, SO THE ABOVE LIMITATIONS OR EXCLUSIONS MAY NOT APPLY TO YOU. THIS WARRANTY GIVES YOU SPECIFIC LEGAL RIGHTS, AND YOU MAY ALSO HAVE OTHER RIGHTS THAT VARY BY STATE OR (WHERE APPLICABLE IN THE COUNTRIES WHERE FURRION HAS NON-US/CANADIAN AUTHORIZED DEALERS) COUNTRY. NO ACTION OR CLAIM TO ENFORCE THIS WARRANTY SHALL BE COMMENCED AFTER THE EXPIRATION OF THE WARRANTY PERIOD.

Keep your receipt, delivery slip, or other appropriate payment record to establish the warranty period. Service under this warranty must be obtained by contacting Furriion at **warranty@furriion.com**

Product features or specifications as described or illustrated are subject to change without notice.



**FURRION**

**Furrion Innovation Center & Institute of Technology**

- 52567 Independence Ct., Elkhart, IN 46514, USA ● Toll free:1-888-354-5792
- Email: [support@furrion.com](mailto:support@furrion.com)

©2007-2018 Furrion Ltd. Furrion® and the Furrion logo are trademarks licensed for use by Furrion Ltd. and registered in the U.S. and other countries.

**FURRION.COM**