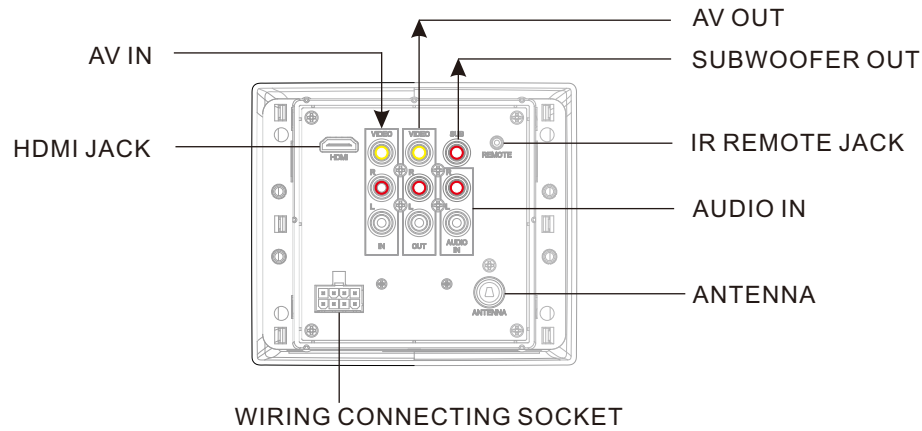


Wiring Diagram



Specification

GENERAL

Supply Voltage	DC 12V
Current Consumption	Max.5A
Power Output	2x 20 W
Number of channels	2 STEREO channels.
Unit Dimensions	(L X W X H): 130X 113 X 86 (mm)

FM SECTION

Frequency range	87.5Mhz - 108Mhz (Europe)
	87.5 Mhz - 107.9Mhz (U.S.A.)
	87.5 Mhz - 108Mhz (Australia)

Effective sensitivity
I.F Frequency

3uV.
10.7MHz.

AM SECTION

Frequency range	522Khz - 1620Khz (Europe)
	530khz - 1710Khz (U.S.A.)
	522 Khz - 1710Khz (Australia)

Effective sensitivity
I.F Frequency

40dB.
450KHz

Preamp Output

1 V Output

USB PLAYBACK

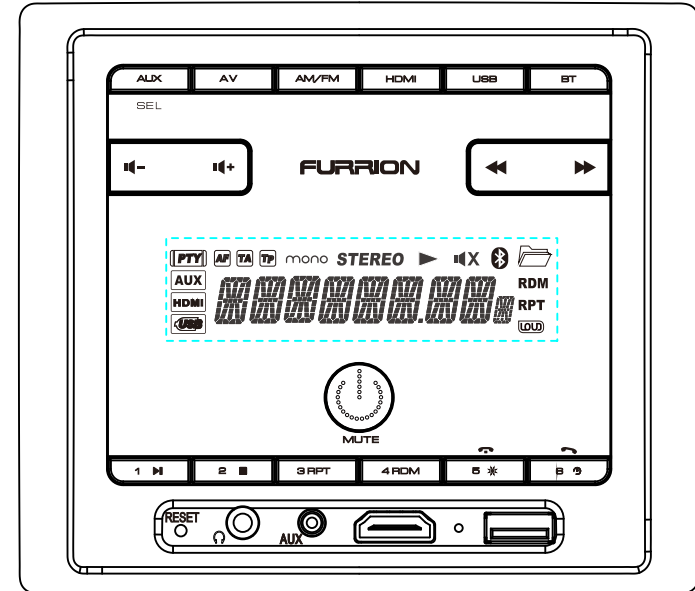
System
Frequency characteristics

MP3 audio system.
20Hz -100Hz <=5dB
10KHz-20KHz <=5dB.
50dB [1KHz] .

Signal to noise (USB)

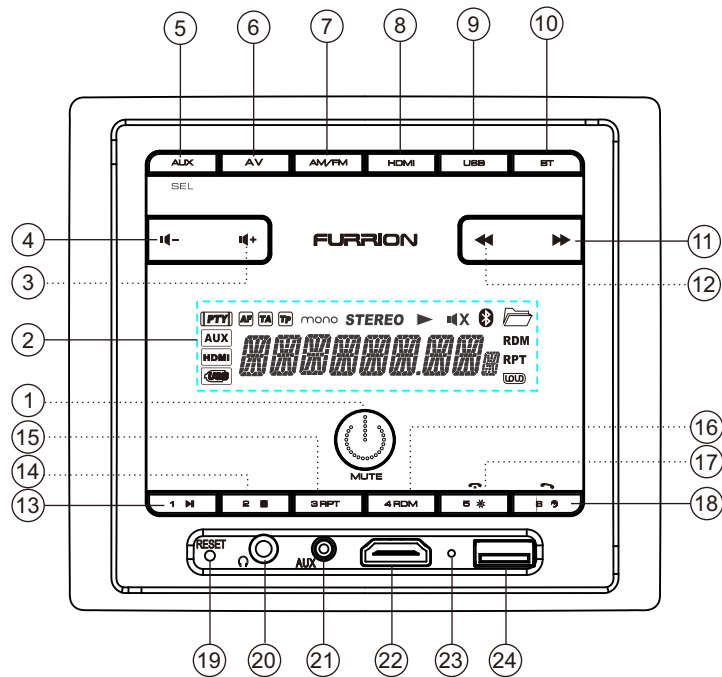
FURRIION

Instruction Manual



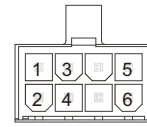
WALLMOUNT Entertainment System

Locations and Names of the Controls



- | | |
|------------------------|-------------------------------------|
| 1. POWER & MUTE BUTTON | 13. 1/ PLAY/PAUSE BUTTON |
| 2. LCD DISPLAY | 14. 2/STOP BUTTON |
| 3. VOLUME + BUTTON | 15. 3/RPT BUTTON |
| 4. VOLUME - BUTTON | 16. 4/RDM button |
| 5. SEL/AUX MODE BUTTON | 17. 5/ BACKLIGHT/HANG UP BUTTON |
| 6. AV MODE BUTTON | 18. 6/CLOCK ADJUST/ALARM/TEL BUTTON |
| 7. AM/FM MODE BUTTON | 19. RESET BUTTON |
| 8. HDMI MODE BUTTON | 20. HEADPHONE SOCKET |
| 9. USB MODE BUTTON | 21. AUX IN JACK |
| 10. BT MODE BUTTON | 22. HDMI IN JACK |
| 11. NEXT BUTTON | 23. MICROPHONE IN |
| 12. PREVIOUS BUTTON | 24. USB SOCKET |

Wiring connecting socket view



PIN NO	COLOR	FUNCTION
1	GREY	RIGHT SPEAKER (+)
2	GREY/BLACK	RIGHT SPEAKER (-)
3	WHITE	LEFT SPEAKER (+)
4	WHITE/BLACK	LEFT SPEAKER (-)
5	YELLOW	+12V DC MEMORY B+
6	BLACK	POWER GROUND

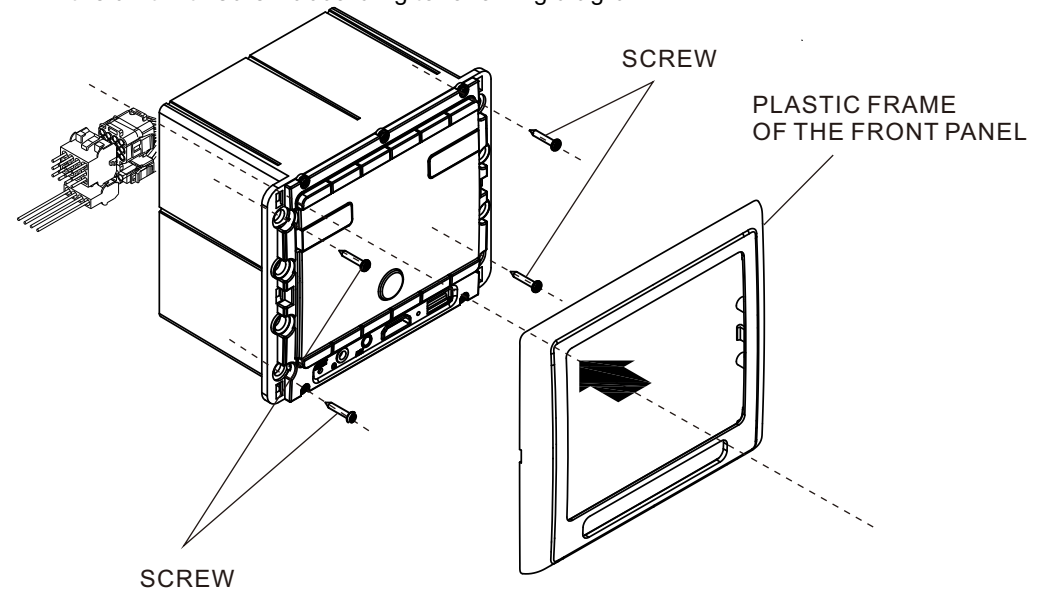
Mounting Installation

Location

- * Choose a mounting location away from humid areas, water sources, appliances or any equipment that can radiate heat.
- * Select an area on a wall or cabinet which is free from cable, fuel or brake lines and ensure the area behind the wall mount stereo has a vent hole or if it is an enclosed box and has adequate room around the rear of the unit for cooling.
- * Ensure when the stereo is mounted in the cut out that the wires at the rear of the unit are not pressed against the heat sink

Installing the unit.

- * Before finally installing the unit, connect the wiring temporarily and make sure the unit and the system work properly.
- * Fix the unit with screw according to following diagram.



1. Remove plastic frame of the front panel from the unit.
2. Fix the unit with 4 pieces #8 pan head self tapping screw.
3. Put back plastic frame of the front panel to the unit.

After the device has been paired successfully and Wall mount Stereo screen displays BT LINK, Dial with mobile phone directly.

5. Accept/ Reject/ End

- A) During ringing, press TEL button to accept the call.
- B) During ringing, press HANG UP button to reject the call.
- C) During talking, press HANG UP button to end the call.

Note: During ringing, CALL IN appears and then the phone number.

6. Talking volume level setting

While in talking, use VOLUME +/- button to adjust volume level, but this volume level can not be saved.

7. Dialing or receiving calls while the unit is in sleep mode(when your phone is paired),
When the Stereo is in sleep mode (Acc on and standby), to execute a dialing(with mobile phone) or receiving a call, the Stereo will temporarily wake up.

8. To play an audio file from a external Bluetooth device(mobile phone) on the wall mount Stereo

After the device has been paired successfully and Wall mount Stereo screen displays BT LINK. If your mobile device supports A2DP you will then be able to stream music from your Bluetooth device so it can be played by stereo speaker.

You must select on your mobile Bluetooth device to play the audio through Bluetooth. If your mobile device supports AVRCP then you will be able to control the basic phone audio output functions by the Wall mount Stereo controls. Eg.Play Pause.

APP FUNCTION(Both support IOS system and Android system :

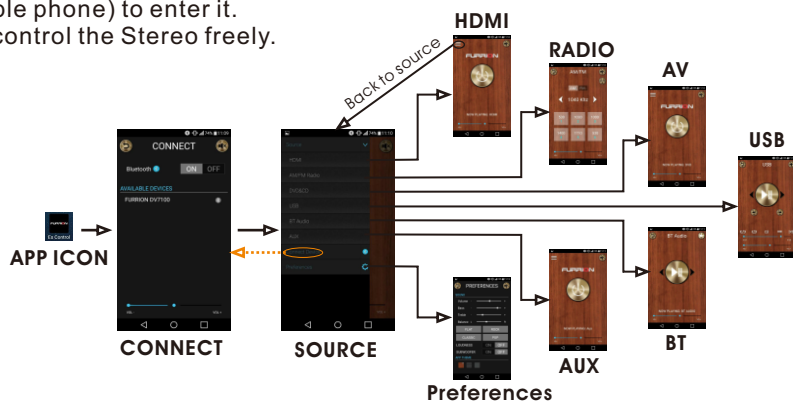
1,APP Installation.

Another way to control the unit instead of using the front panel or remote control, you can use your phone. You will need to install the “Es Control” app onto your mobile device. The app will need to be downloaded from Google Play(Android phone) or App Store (Apple phone). Do a search for “Es Control” and proceed to download. Install per the app instructions.

2,Open the BT function of your smart phone and pair with the Stereo.

3,Under BT connection,tap the “Es Control” icon to enter the APP connection interface. then select the name“FURRION DV7100”(Android phone) or “DV7100-4.0”(Apple phone) to enter it.

4,Use the APP to control the Stereo freely.



Common operation:

1. To turn the unit on/off .

When the unit is power Off, it may be switched On by pressing POWER button. When the unit is switched On, press and hold POWER button for more than 1 second to switch the power off.

2. To select function mode

Press the AUX,DVD,AM/FM,HDMI,USB,BT button on the front panel to select corresponding mode.

3. To adjust the volume level

Press the VOLUME + or VOLUME - button on the front panel to adjust volume level during playback.

4. To mute or resume sound

Press MUTE button to eliminate or resume sound immediately during playback.

5. To set sound mode and menu

Press and hold SEL button for more than 2 seconds to turn on BASS, then press SEL button shortly and repeatedly to select TRE(treble), LIR(balance),EQ OFF(FLAT/CLASSIC/ROCK /POP), LOUD OFF/LOUD ON, VOL LAST/VOL DEFA(AVOL) , BEEP ON/BEEP OFF, DX/LOCAL(in RADIO mode),STEREO/MONO(in RADIO mode),SUBW ON/SUBW OFF, AMERICA3/AUSTRIA/EUROPE(in RADIO mode) in the sequence and circulation. After selecting a desired item, use VOLUME+/- button to set.

1) BEEP ON/BEEP OFF

BEEP ON mode: The beep is generated when any key is pressed.
BEEP OFF mode: The beep sound is disabled.

2) VOL LAST/VOL DEFA

VOL LAST: The volume level when switching off will be restored with power On.
VOL DEFA: The volume level of the main unit after power on is a constant value. when selecting VOL DEFA item, press SEL button to display AVOL , then you can pre-set the constant volume level after power on with VOL control.

3) DX/LOCAL

Radio station search mode is divided by this DX/LOCAL switch, which can be used to control an attenuator in the tuner during search. The detecting level of seek, scan, auto-memory will be reduced as much as the attenuated level of the tuner. In radio mode, press the LOC button to change local reception or distance reception. (Note: This button is only for FM reception. In AM mode, LOC is invalid.)

6. DISPLAY AND ADJUST THE TIME

Press and hold the 6 button for more than 2 seconds until the real time flashes on the display. Then you can adjust HOUR by VOLUME +/- button, and adjust MINUTE by / button.

7. To adjust the backlight

Press and hold the 5/BACKLIGHT button repeatedly to adjust the backlight.

8. ALARM FUNCTION

1)set the ALARM mode on or off

Press and hold the 6 button repeatedly to enter ALARM ON/OFF mode. (use VOLUME +/- button to select ALARM ON or ALARM OFF)

2) set the ALARM time

Press and hold the 6 button repeatedly to ALARM time setting mode (the LCD will display the time "AM 00'00 " but not flash), then use the ◀ ▶ button to set the MINUTE and VOLUME +/- button to set the HOUR.

9. To reset unit

1. Press RESET with a cuspidal object to make the unit be reset to factory default and re-instate the correct functions.
2. In AUX mode, Press and hold 2/STOP button until the LCD displays "RESET III, then press and hold 3/RPT button to reset to the factory default.

Radio Operation:

1. To select radio band

Press AM/FM button briefly and repeatedly to select a desired radio band in sequence and circulation as follows:
-->FM1-->FM2-->FM3-->AM1-->AM2-->

2. To search for radio station manually or automatically

Press >>| or |<< button briefly to manual tune up/down for your desired radio stations step by step.
Press and hold >>| or |<< button for 2 seconds to automatically tune up/down for a radio station of strong signal.

3. To store current station or turn on a preset one

- 1) If you want to store currently station, press and hold the AM/FM button until the frequency flashes, then press briefly one of the 6 number buttons to store the current station in the preset memory bank of the number button for the current band.
In this way the unit can store 30 preset stations.
- 2) Press one of the 6 number buttons briefly to turn on the preset station stored in the preset memory bank of the number button for the current band.

4. To auto search and store for the strongest stations

When pressing and holding 2/STOP button on the front panel for more than 2 seconds, the radio searches from the current frequency and checks the signal strength level until the 6 strongest stations are found. And then the 6 strongest stations are preset to the corresponding preset memory numbered bank. The auto-storage operation is implemented in the each selected band. When the auto-storage operation is finished, the radio executes Preset scan.

5. To set the frequency

Press and hold SEL button for more than 2 seconds to turn on BASS, then press SEL button shortly and repeatedly until displays one of the area AMERICA3, AUSTRIA or EUROPE, then use the VOLUME +/- button to selection and briefly press the SEL button for your confirmation.

USB Operation:

1. To insert or pull out USB stick

When needing to playback USB music, insert USB stick into the USB socket, then the playing mode will be changed into USB mode and display "USB" on the LCD.

2. Press the ◀or▶ button briefly to play previous or next track.

3. To play fast forward or backward

Press and hold ◀or▶ button to play backward or fast forward.

4. To play previous or next 10th track

Press 5 or 6 button to play previous or next 10th track.

5. How to use 1/PLAY/PAUSE button

During playback, press 1/PLAY/PAUSE button to pause playback. When in pause mode, press 1/PLAY/PAUSE button to play again.
Press and hold 1/PLAY/PAUSE button to select the first track for playback.

6. To repeat track(s)

During playback, press 3/RPT button briefly to play the current track repeatedly, and the LCD will display RPT ONE.
Press RPT button twice to play the tracks in the Album repeatedly, and the LCD will display RPT DIR.
Press RPT button thrice to RPT ALL tracks, and the LCD will display RPT ALL.
Press RPT button four times to cancel RPT function, and the LCD will display RPT OFF.

7. To play tracks in random

During playback, press RDM button briefly to play all tracks in random. Press it again to cancel RDM function.

8. Tracks search

Press USB button, it will activate TRACK SEARCH mode. The LCD will display TRK 0/00/000 (deside on the total number of tracks in the SD card or USB stick) and flash the 0 on the biggest digit position. Then use the VOLUME +/- button to select a number on the flashing digit position from 0 ~ 9. Then press USB button to confirm the number and flash the 0 on next smaller digit position. With the same means, select the number on the flashing digit position with VOLUME +/- button. After finishing selecting the numbers on all digits position, press 1/PLAY/PAUSE button to play the track of the selected serial number.

BlueTooth Handsfree System:

1. Pairing

Turn on Bluetooth mode of mobile phone, then select the function of Finding Bluetooth Device and enter it. After finishing the finding, it will show the name of Bluetooth Device "FURRIION DV7100", select it and enter it, (for some phones it maybe need a password, In case of this situation please Input the password 0000), then the LCD of the car audio system will display "BT LINK".

2. Use mobile phone to do connection or disconnection

1) In connection status, find the paired and connected Bluetooth Device, then press the disconnection button to do disconnection.

2) In disconnection status, find the paired and disconnected Bluetooth Device, then press the connection button to do connection

3. In connection status: Mobile phone transfers to car audio player whenever a dialing takes place; Mobile phone transfers to car audio player whenever receiving a call.

4. Dialing when in connection status

FCC Statement

This equipment has been tested and found to comply with the limits for a Class B digital device, pursuant to Part 15 of the FCC Rules. These limits are designed to provide reasonable protection against harmful interference in a residential installation. This equipment generates uses and can radiate radio frequency energy and, if not installed and used in accordance with the instructions, may cause harmful interference to radio communications. However, there is no guarantee that interference will not occur in a particular installation. If this equipment does cause harmful interference to radio or television reception, which can be determined by turning the equipment off and on, the user is encouraged to try to correct the interference by one or more of the following measures:

- Reorient or relocate the receiving antenna.
- Increase the separation between the equipment and receiver.
- Connect the equipment into an outlet on a circuit different from that to which the receiver is connected.
- Consult the dealer or an experienced radio/TV technician for help.

Changes or modifications not expressly approved by the party responsible for compliance could void the user's authority to operate the equipment.