

### FCC REPORT (BT 4.0)

**Applicant:** Furrion Ltd.

**Address of Applicant:** Units 614-615, Level 6, Core D, Cyberport 3, 100 Cyberport Road, Hong Kong

**Equipment Under Test (EUT)**

Product Name: Entertainment System

Model No.: DV7100, DV7000, DV7XXX (where X represents 0-9 or A-Z)

Trade Mark: Furrion

**FCC ID:** 2ABH3-DV7XXX

**Applicable standards:** FCC CFR Title 47 Part 15 Subpart C Section 15.249:2014

**Date of sample receipt:** April 27, 2016

**Date of Test:** April 28-May 05, 2016

**Date of report issued:** May 06, 2016

**Test Result :** PASS \*

\* In the configuration tested, the EUT complied with the standards specified above.

Authorized Signature:



**Robinson Lo**

**Laboratory Manager**

This report details the results of the testing carried out on one sample. The results contained in this test report do not relate to other samples of the same product and does not permit the use of the GTS product certification mark. The manufacturer should ensure that all products in series production are in conformity with the product sample detailed in this report.

This report may only be reproduced and distributed in full. If the product in this report is used in any configuration other than that detailed in the report, the manufacturer must ensure the new system complies with all relevant standards. Any mention of GTS or testing done by GTS in connection with, distribution or use of the product described in this report must be approved by GTS in writing.

This document cannot be reproduced except in full, without prior written approval of the Company. Any unauthorized alteration, forgery or falsification of the content or appearance of this document is unlawful and offenders may be prosecuted to the fullest extent of the law. Unless otherwise stated the results shown in this test report refer only to the sample(s) tested and such sample(s) are retained for 90 days only.

## 2 Version

Version No.	Date	Description
00	May 06, 2016	Original

**Prepared By:** Edward Pan **Date:** May 06, 2016  
**Project Engineer**

**Check By:** Andy wa **Date:** May 06, 2016  
**Reviewer**

## 3 Contents

	Page
1 COVER PAGE.....	1
2 VERSION .....	2
3 CONTENTS .....	3
4 TEST SUMMARY .....	4
4.1 MEASUREMENT UNCERTAINTY .....	4
5 GENERAL INFORMATION.....	5
5.1 CLIENT INFORMATION .....	5
5.2 GENERAL DESCRIPTION OF EUT .....	5
5.3 TEST MODE .....	7
5.4 DESCRIPTION OF SUPPORT UNITS .....	7
5.5 TEST FACILITY.....	7
5.6 TEST LOCATION .....	7
5.7 DESCRIPTION OF SUPPORT UNITS .....	7
5.8 OTHER INFORMATION REQUESTED BY THE CUSTOMER.....	7
6 TEST INSTRUMENTS LIST .....	8
7 TEST RESULTS AND MEASUREMENT DATA.....	9
7.1 ANTENNA REQUIREMENT.....	9
7.2 RADIATED EMISSION METHOD.....	10
7.2.1 Field Strength of The Fundamental Signal .....	12
7.2.2 Spurious emissions.....	13
7.2.3 Bandedge emissions.....	17
7.3 20dB OCCUPY BANDWIDTH.....	18
8 TEST SETUP PHOTO .....	20
9 EUT CONSTRUCTIONAL DETAILS .....	20

## 4 Test Summary

Test Item	Section in CFR 47	Result
Antenna requirement	15.203	Pass
AC Power Line Conducted Emission	15.207	Pass
Field strength of the fundamental signal	15.249 (a)	Pass
Spurious emissions	15.249 (a) (d)/15.209	Pass
Band edge	15.249 (d)/15.205	Pass
20dB Occupied Bandwidth	15.215 (c)	Pass

*Pass: The EUT complies with the essential requirements in the standard.*

*Remark: Test according to ANSI C63.10 2013 and ANSI C63.4: 2014*

### 4.1 Measurement Uncertainty

Test Item	Frequency Range	Measurement Uncertainty	Notes
Radiated Emission	9kHz ~ 30MHz	± 4.34dB	(1)
Radiated Emission	30MHz ~ 1000MHz	± 4.24dB	(1)
Radiated Emission	1GHz ~ 26.5GHz	± 4.68dB	(1)
AC Power Line Conducted Emission	0.15MHz ~ 30MHz	± 3.45dB	(1)

Note (1): The measurement uncertainty is for coverage factor of k=2 and a level of confidence of 95%.

## 5 General Information

### 5.1 Client Information

Applicant:	Furrion Ltd.
Address of Applicant:	Units 614-615, Level 6, Core D, Cyberport 3, 100 Cyberport Road, Hong Kong
Manufacturer:	Furrion Ltd.
Address of Manufacturer:	Units 614-615, Level 6, Core D, Cyberport 3, 100 Cyberport Road, Hong Kong

### 5.2 General Description of EUT

Product Name:	Entertainment System
Model No.:	DV7100, DV7000, DV7XXX (where X represents 0-9 or A-Z)
Operation Frequency:	2402MHz~2480MHz
Channel numbers:	40
Channel separation:	2MHz
Modulation type:	GFSK
Antenna Type:	PCB antenna
Antenna gain:	0.5dBi (declare by Applicant)
Power supply:	DC 12V

Operation Frequency each of channel							
Channel	Frequency	Channel	Frequency	Channel	Frequency	Channel	Frequency
1	2402MHz	11	2422MHz	21	2442MHz	31	2462MHz
2	2404MHz	12	2424MHz	22	2444MHz	32	2464MHz
⋮	⋮	⋮	⋮	⋮	⋮	⋮	⋮
9	2418MHz	19	2438MHz	29	2458MHz	39	2478MHz
10	2420MHz	20	2440MHz	30	2460MHz	40	2480MHz

Note:

In section 15.31(m), regards to the operating frequency range over 10 MHz, the Lowest frequency, the middle frequency, and the highest frequency of channel were selected to perform the test, and the selected channel see below:

Channel	Frequency
The Lowest channel	2402MHz
The Middle channel	2440MHz
The Highest channel	2480MHz

### 5.3 Test mode

Transmitting mode	Keep the EUT in continuously transmitting mode
<p><i>Remark: During the test, the test voltage was tuned from 85% to 115% of the nominal rated supply voltage, and found that the worst case was under the nominal rated supply condition. So the report just shows that condition's data.</i></p>	

#### Per-test mode.

We have verified the construction and function in typical operation, The EUT was placed on three different polar directions; i.e. X axis, Y axis, Z axis. which was shown in this test report and defined as follows:

Axis	X	Y	Z
Field Strength(dBuV/m)	86.68	90.02	88.42

### 5.4 Description of Support Units

Manufacturer	Description	Model	Serial Number	FCC Approval
GS	Supreme maintenance Free	S5D26R-MFZ	9442804454	FCC VOC

### 5.5 Test Facility

The test facility is recognized, certified, or accredited by the following organizations:

- **FCC —Registration No.: 600491**

Global United Technology Services Co., Ltd., Shenzhen EMC Laboratory has been registered and fully describe in a report file with the (FCC) Federal Communications Commission. The acceptance letter from the FCC is maintained in files. Registration 600491, June 28, 2013.

- **Industry Canada (IC) —Registration No.: 9079A-2**

The 3m Semi-anechoic chamber of Global United Technology Services Co., Ltd. has been registered by Certification and Engineering Bureau of Industry Canada for radio equipment testing with Registration No.: 9079A-2, June 26, 2013.

### 5.6 Test Location

All tests were performed at:

Global United Technology Services Co., Ltd.

Address: No. 301-309, 3/F., Jinyuan Business Building, No.2, Laodong Industrial Zone, Xixiang Road, Baoan District, Shenzhen, Guangdong, China

Tel: 0755-27798480

Fax: 0755-27798960

### 5.7 Description of Support Units

None.

### 5.8 Other Information Requested by the Customer

None.

## 6 Test Instruments list

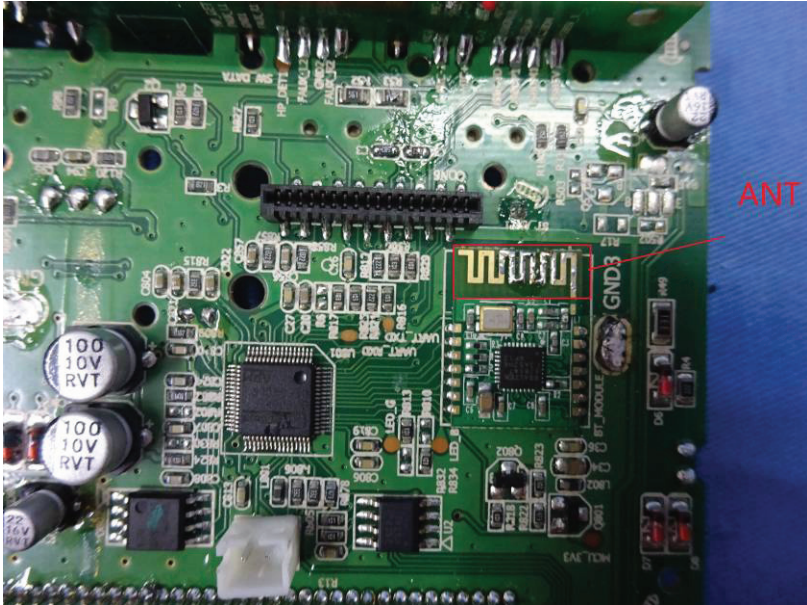
Radiated Emission:						
Item	Test Equipment	Manufacturer	Model No.	Inventory No.	Cal.Date (mm-dd-yy)	Cal.Due date (mm-dd-yy)
1	3m Semi- Anechoic Chamber	ZhongYu Electron	9.2(L)*6.2(W)* 6.4(H)	GTS250	Mar. 27 2016	Mar. 26 2017
2	Control Room	ZhongYu Electron	6.2(L)*2.5(W)* 2.4(H)	GTS251	N/A	N/A
3	Spectrum Analyzer	Agilent	E4440A	GTS533	Jun 30 2015	Jun 29 2016
4	EMI Test Receiver	Rohde & Schwarz	ESU26	GTS203	Jun 30 2015	Jun 29 2016
5	BiConiLog Antenna	SCHWARZBECK MESS-ELEKTRONIK	VULB9163	GTS214	Jun 30 2015	Jun 29 2016
6	Double -ridged waveguide horn	SCHWARZBECK MESS-ELEKTRONIK	9120D-829	GTS208	June 26 2015	June 25 2016
7	Horn Antenna	ETS-LINDGREN	3160	GTS217	Mar. 26 2016	Mar. 25 2017
8	EMI Test Software	AUDIX	E3	N/A	N/A	N/A
9	Coaxial Cable	GTS	N/A	GTS213	Mar. 27 2016	Mar. 26 2017
10	Coaxial Cable	GTS	N/A	GTS211	Mar. 27 2016	Mar. 26 2017
11	Coaxial cable	GTS	N/A	GTS210	Mar. 27 2016	Mar. 26 2017
12	Coaxial Cable	GTS	N/A	GTS212	Mar. 27 2016	Mar. 26 2017
13	Amplifier(100kHz-3GHz)	HP	8347A	GTS204	Jun. 30, 2015	Jun 29 2016
14	Amplifier(2GHz-20GHz)	HP	8349B	GTS206	Jun. 30, 2015	Jun 29 2016
15	Amplifier (18-26GHz)	Rohde & Schwarz	AFS33-18002 650-30-8P-44	GTS218	June 26 2015	June 25 2016
16	Band filter	Amindeon	82346	GTS219	Mar. 27 2016	Mar. 26 2017

General used equipment:						
Item	Test Equipment	Manufacturer	Model No.	Inventory No.	Cal.Date (mm-dd-yy)	Cal.Due date (mm-dd-yy)
1	Barometer	ChangChun	DYM3	GTS257	July 07 2015	July 06 2016



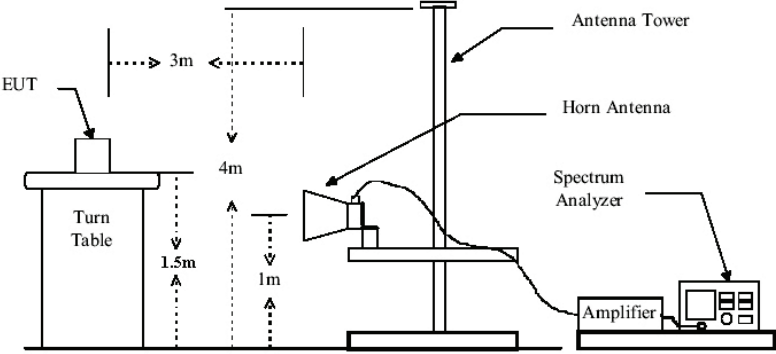
## 7 Test results and Measurement Data

### 7.1 Antenna requirement

<b>Standard requirement:</b>	FCC Part15 C Section 15.203
<p><b>15.203 requirement:</b></p> <p>An intentional radiator shall be designed to ensure that no antenna other than that furnished by the responsible party shall be used with the device. The use of a permanently attached antenna or of an antenna that uses a unique coupling to the intentional radiator, the manufacturer may design the unit so that a broken antenna can be replaced by the user, but the use of a standard antenna jack or electrical connector is prohibited.</p>	
<p><b>EUT Antenna:</b></p>	
<p><i>The antenna is PCB antenna, the best case gain of the antenna is 0.5dBi</i></p> 	

## 7.2 Radiated Emission Method

Test Requirement:	FCC Part15 C Section 15.209				
Test Method:	ANSI C63.10:2013				
Test Frequency Range:	30MHz to 25GHz				
Test site:	Measurement Distance: 3m				
Receiver setup:	Frequency	Detector	RBW	VBW	Remark
	30MHz-1GHz	Quasi-peak	120KHz	300KHz	Quasi-peak Value
	Above 1GHz	Peak	1MHz	3MHz	Peak Value
		Peak	1MHz	10Hz	Average Value
Limit: (Field strength of the fundamental signal)	Frequency	Limit (dBuV/m @3m)		Remark	
	2400MHz-2483.5MHz	94.00		Average Value	
Limit: (Spurious Emissions)	Frequency	Limit (dBuV/m @3m)		Remark	
	30MHz-88MHz	40.00		Quasi-peak Value	
	88MHz-216MHz	43.50		Quasi-peak Value	
	216MHz-960MHz	46.00		Quasi-peak Value	
	960MHz-1GHz	54.00		Quasi-peak Value	
	Above 1GHz	54.00		Average Value	
Limit: (band edge)	Emissions radiated outside of the specified frequency bands, except for harmonics, shall be attenuated by at least 50 dB below the level of the fundamental or to the general radiated emission limits in Section 15.209, whichever is the lesser attenuation.				
	Peak Value				
Test setup:	<p>Below 1GHz</p> <p>The diagram illustrates the test setup for frequencies below 1GHz. It shows an Equipment Under Test (EUT) placed on a Turn Table, which is 0.8m high. The EUT is positioned 3m away from an Antenna Tower. The Antenna Tower has a Search Antenna at a height of 4m. The Search Antenna is positioned 1m above the ground plane. An RF Test Receiver is connected to the Search Antenna. The entire setup is on a Ground Plane.</p>				

	<p>Above 1GHz</p> 
<p>Test Procedure:</p>	<ol style="list-style-type: none"> <li>1. The EUT was placed on the top of a rotating table (0.8m for below 1GHz and 1.5 meters for above 1GHz) above the ground at a 3 meter camber. The table was rotated 360 degrees to determine the position of the highest radiation.</li> <li>2. The EUT was set 3 meters away from the interference-receiving antenna, which was mounted on the top of a variable-height antenna tower.</li> <li>3. The antenna height is varied from one meter to four meters above the ground to determine the maximum value of the field strength. Both horizontal and vertical polarizations of the antenna are set to make the measurement.</li> <li>4. For each suspected emission, the EUT was arranged to its worst case and then the antenna was tuned to heights from 1 meter to 4 meters and the rota table was turned from 0 degrees to 360 degrees to find the maximum reading.</li> <li>5. The test-receiver system was set to Peak Detect Function and Specified Bandwidth with Maximum Hold Mode.</li> <li>6. If the emission level of the EUT in peak mode was 10dB lower than the limit specified, then testing could be stopped and the peak values of the EUT would be reported. Otherwise the emissions that did not have 10dB margin would be re-tested one by one using peak, quasi-peak or average method as specified and then reported in a data sheet.</li> </ol>
<p>Test Instruments:</p>	<p>Refer to section 6.0 for details</p>
<p>Test mode:</p>	<p>Refer to section 5.3 for details</p>
<p>Test results:</p>	<p>Pass</p>

**Measurement data:**

**7.2.1 Field Strength of The Fundamental Signal**

**Peak value:**

Frequency (MHz)	Read Level (dBUV)	Antenna Factor (dB/m)	Cable Loss (dB)	Preamp Factor (dB)	Level (dBUV/m)	Limit Line (dBUV/m)	Over Limit (dB)	polarization
2402.00	86.22	27.58	5.39	30.18	89.01	114.00	-24.99	Vertical
2402.00	84.64	27.58	5.39	30.18	87.43	114.00	-26.57	Horizontal
2442.00	85.07	27.55	5.43	30.06	87.99	114.00	-26.01	Vertical
2442.00	83.77	27.55	5.43	30.06	86.69	114.00	-27.31	Horizontal
2480.00	86.96	27.52	5.47	29.93	90.02	114.00	-23.98	Vertical
2480.00	84.59	27.52	5.47	29.93	87.65	114.00	-26.35	Horizontal

**Average value:**

Frequency (MHz)	Read Level (dBUV)	Antenna Factor (dB/m)	Cable Loss (dB)	Preamp Factor (dB)	Level (dBUV/m)	Limit Line (dBUV/m)	Over Limit (dB)	polarization
2402.00	75.92	27.58	5.39	30.18	78.71	94.00	-15.29	Vertical
2402.00	74.27	27.58	5.39	30.18	77.06	94.00	-16.94	Horizontal
2442.00	74.53	27.55	5.43	30.06	77.45	94.00	-16.55	Vertical
2442.00	71.88	27.55	5.43	30.06	74.80	94.00	-19.20	Horizontal
2480.00	76.50	27.52	5.47	29.93	79.56	94.00	-14.44	Vertical
2480.00	74.27	27.52	5.47	29.93	77.33	94.00	-16.67	Horizontal

Remark: RBW 3MHz, VBW 10MHz , peak detector for PK value, RBW 3MHz, VBW 10MHz AV detector for AV value

## 7.2.2 Spurious emissions

### ■ Below 1GHz

Frequency (MHz)	Read Level (dBuV)	Antenna Factor (dB/m)	Cable Loss (dB)	Preamp Factor (dB)	Level (dBuV/m)	Limit Line (dBuV/m)	Over Limit (dB)	polarization
53.88	36.46	15.07	0.81	29.97	22.37	40.00	-17.63	Vertical
96.10	41.63	14.90	1.16	29.72	27.97	43.50	-15.53	Vertical
191.75	46.19	12.56	1.80	29.23	31.32	43.50	-12.18	Vertical
272.28	47.77	14.46	2.24	29.81	34.66	46.00	-11.34	Vertical
472.18	43.62	17.89	3.19	29.35	35.35	46.00	-10.65	Vertical
640.61	36.74	20.60	3.87	29.26	31.95	46.00	-14.05	Vertical
40.28	35.76	15.58	0.66	30.04	21.96	40.00	-18.04	Horizontal
77.87	43.71	10.26	1.01	29.81	25.17	40.00	-14.83	Horizontal
107.89	42.95	14.44	1.26	29.65	29.00	43.50	-14.50	Horizontal
185.79	46.45	12.16	1.77	29.25	31.13	43.50	-12.37	Horizontal
330.20	42.88	15.79	2.52	29.83	31.36	46.00	-14.64	Horizontal
426.52	44.08	17.50	2.98	29.44	35.12	46.00	-10.88	Horizontal

■ Above 1GHz

Test channel:	Lowest channel
---------------	----------------

**Peak value:**

Frequency (MHz)	Read Level (dBuV)	Antenna Factor (dB/m)	Cable Loss (dB)	Preamp Factor (dB)	Level (dBuV/m)	Limit Line (dBuV/m)	Over Limit (dB)	polarization
4804.00	35.00	31.78	8.60	32.09	43.29	74.00	-30.71	Vertical
7206.00	30.30	36.15	11.65	32.00	46.10	74.00	-27.90	Vertical
9608.00	30.11	37.95	14.14	31.62	50.58	74.00	-23.42	Vertical
12010.00	*					74.00		Vertical
14412.00	*					74.00		Vertical
4804.00	38.81	31.78	8.60	32.09	47.10	74.00	-26.90	Horizontal
7206.00	31.85	36.15	11.65	32.00	47.65	74.00	-26.35	Horizontal
9608.00	29.31	37.95	14.14	31.62	49.78	74.00	-24.22	Horizontal
12010.00	*					74.00		Horizontal
14412.00	*					74.00		Horizontal

**Average value:**

Frequency (MHz)	Read Level (dBuV)	Antenna Factor (dB/m)	Cable Loss (dB)	Preamp Factor (dB)	Level (dBuV/m)	Limit Line (dBuV/m)	Over Limit (dB)	polarization
4804.00	24.25	31.78	8.60	32.09	32.54	54.00	-21.46	Vertical
7206.00	19.25	36.15	11.65	32.00	35.05	54.00	-18.95	Vertical
9608.00	18.47	37.95	14.14	31.62	38.94	54.00	-15.06	Vertical
12010.00	*					54.00		Vertical
14412.00	*					54.00		Vertical
4804.00	28.22	31.78	8.60	32.09	36.51	54.00	-17.49	Horizontal
7206.00	21.27	36.15	11.65	32.00	37.07	54.00	-16.93	Horizontal
9608.00	18.01	37.95	14.14	31.62	38.48	54.00	-15.52	Horizontal
12010.00	*					54.00		Horizontal
14412.00	*					54.00		Horizontal

**Remark:**

1. Final Level = Receiver Read level + Antenna Factor + Cable Loss – Preamplifier Factor
2. “\*”, means this data is the too weak instrument of signal is unable to test.

Test channel:	Middle
---------------	--------

**Peak value:**

Frequency (MHz)	Read Level (dBuV)	Antenna Factor (dB/m)	Cable Loss (dB)	Preamp Factor (dB)	Level (dBuV/m)	Limit Line (dBuV/m)	Over Limit (dB)	polarization
4884.00	35.12	31.85	8.67	32.12	43.52	74.00	-30.48	Vertical
7326.00	30.38	36.37	11.72	31.89	46.58	74.00	-27.42	Vertical
9768.00	30.18	38.35	14.25	31.62	51.16	74.00	-22.84	Vertical
12210.00	*					74.00		Vertical
14652.00	*					74.00		Vertical
4884.00	38.96	31.85	8.67	32.12	47.36	74.00	-26.64	Horizontal
7326.00	31.94	36.37	11.72	31.89	48.14	74.00	-25.86	Horizontal
9768.00	29.39	38.35	14.25	31.62	50.37	74.00	-23.63	Horizontal
12210.00	*					74.00		Horizontal
14652.00	*					74.00		Horizontal

**Average value:**

Frequency (MHz)	Read Level (dBuV)	Antenna Factor (dB/m)	Cable Loss (dB)	Preamp Factor (dB)	Level (dBuV/m)	Limit Line (dBuV/m)	Over Limit (dB)	polarization
4884.00	24.35	31.85	8.67	32.12	32.75	54.00	-21.25	Vertical
7326.00	19.32	36.37	11.72	31.89	35.52	54.00	-18.48	Vertical
9768.00	18.53	38.35	14.25	31.62	39.51	54.00	-14.49	Vertical
12210.00	*					54.00		Vertical
14652.00	*					54.00		Vertical
4884.00	28.34	31.85	8.67	32.12	36.74	54.00	-17.26	Horizontal
7326.00	21.35	36.37	11.72	31.89	37.55	54.00	-16.45	Horizontal
9768.00	18.08	38.35	14.25	31.62	39.06	54.00	-14.94	Horizontal
12210.00	*					54.00		Horizontal
14652.00	*					54.00		Horizontal

**Remark:**

1. Final Level = Receiver Read level + Antenna Factor + Cable Loss – Preamplifier Factor
2. “\*”, means this data is the too weak instrument of signal is unable to test.

Test channel:	Highest
---------------	---------

**Peak value:**

Frequency (MHz)	Read Level (dBuV)	Antenna Factor (dB/m)	Cable Loss (dB)	Preamp Factor (dB)	Level (dBuV/m)	Limit Line (dBuV/m)	Over Limit (dB)	polarization
4960.00	35.38	31.93	8.73	32.16	43.88	74.00	-30.12	Vertical
7440.00	30.55	36.59	11.79	31.78	47.15	74.00	-26.85	Vertical
9920.00	30.33	38.81	14.38	31.88	51.64	74.00	-22.36	Vertical
12400.00	*					74.00		Vertical
14880.00	*					74.00		Vertical
4960.00	39.27	31.93	8.73	32.16	47.77	74.00	-26.23	Horizontal
7440.00	32.14	36.59	11.79	31.78	48.74	74.00	-25.26	Horizontal
9920.00	29.57	38.81	14.38	31.88	50.88	74.00	-23.12	Horizontal
12400.00	*					74.00		Horizontal
14880.00	*					74.00		Horizontal

**Average value:**

Frequency (MHz)	Read Level (dBuV)	Antenna Factor (dB/m)	Cable Loss (dB)	Preamp Factor (dB)	Level (dBuV/m)	Limit Line (dBuV/m)	Over Limit (dB)	polarization
4960.00	24.59	31.93	8.73	32.16	33.09	54.00	-20.91	Vertical
7440.00	19.48	36.59	11.79	31.78	36.08	54.00	-17.92	Vertical
9920.00	18.67	38.81	14.38	31.88	39.98	54.00	-14.02	Vertical
12400.00	*					54.00		Vertical
14880.00	*					54.00		Vertical
4960.00	28.60	31.93	8.73	32.16	37.10	54.00	-16.90	Horizontal
7440.00	21.52	36.59	11.79	31.78	38.12	54.00	-15.88	Horizontal
9920.00	18.24	38.81	14.38	31.88	39.55	54.00	-14.45	Horizontal
12400.00	*					54.00		Horizontal
14880.00	*					54.00		Horizontal

*Remark:*

1. *Final Level = Receiver Read level + Antenna Factor + Cable Loss – Pre-amplifier Factor*
2. *“\*” means this data is too weak; instrument of signal is unable to test.*
3. *The emission levels of other frequencies are very lower than the limit and not shown in test report.*



### 7.2.3 Bandedge emissions

All of the restriction bands were tested, and only the data of worst case was exhibited.

Test channel:	Lowest channel
---------------	----------------

**Peak value:**

Frequency (MHz)	Read Level (dBuV)	Antenna Factor (dB/m)	Cable Loss (dB)	Preamp Factor (dB)	Level (dBuV/m)	Limit Line (dBuV/m)	Over Limit (dB)	Polarization
2390.00	38.55	27.59	5.38	30.18	41.34	74.00	-32.66	Horizontal
2400.00	54.72	27.58	5.39	30.18	57.51	74.00	-16.49	Horizontal
2390.00	38.68	27.59	5.38	30.18	41.47	74.00	-32.53	Vertical
2400.00	56.29	27.58	5.39	30.18	59.08	74.00	-14.92	Vertical

**Average value:**

Frequency (MHz)	Read Level (dBuV)	Antenna Factor (dB/m)	Cable Loss (dB)	Preamp Factor (dB)	Level (dBuV/m)	Limit Line (dBuV/m)	Over Limit (dB)	Polarization
2390.00	30.08	27.59	5.38	30.18	32.87	54.00	-21.13	Horizontal
2400.00	41.06	27.58	5.39	30.18	43.85	54.00	-10.15	Horizontal
2390.00	29.71	27.59	5.38	30.18	32.50	54.00	-21.50	Vertical
2400.00	42.29	27.58	5.39	30.18	45.08	54.00	-8.92	Vertical

Test channel:	Highest channel
---------------	-----------------

**Peak value:**

Frequency (MHz)	Read Level (dBuV)	Antenna Factor (dB/m)	Cable Loss (dB)	Preamp Factor (dB)	Level (dBuV/m)	Limit Line (dBuV/m)	Over Limit (dB)	Polarization
2483.50	40.14	27.53	5.47	29.93	43.21	74.00	-30.79	Horizontal
2500.00	40.13	27.55	5.49	29.93	43.24	74.00	-30.76	Horizontal
2483.50	40.26	27.53	5.47	29.93	43.33	74.00	-30.67	Vertical
2500.00	40.72	27.55	5.49	29.93	43.83	74.00	-30.17	Vertical

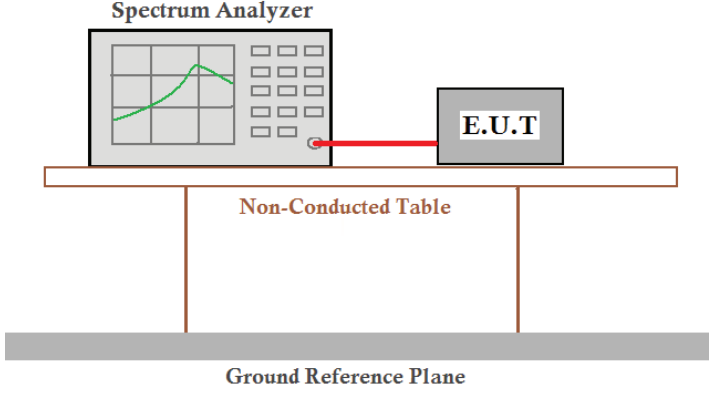
**Average value:**

Frequency (MHz)	Read Level (dBuV)	Antenna Factor (dB/m)	Cable Loss (dB)	Preamp Factor (dB)	Level (dBuV/m)	Limit Line (dBuV/m)	Over Limit (dB)	Polarization
2483.50	32.85	27.53	5.47	29.93	35.92	54.00	-18.08	Horizontal
2500.00	31.47	27.55	5.49	29.93	34.58	54.00	-19.42	Horizontal
2483.50	33.70	27.53	5.47	29.93	36.77	54.00	-17.23	Vertical
2500.00	31.03	27.55	5.49	29.93	34.14	54.00	-19.86	Vertical

Remark:

1. Final Level = Receiver Read level + Antenna Factor + Cable Loss – Preamplifier Factor

### 7.3 20dB Occupy Bandwidth

Test Requirement:	FCC Part15 C Section 15.249/15.215
Test Method:	ANSI C63.10:2013
Limit:	Operation Frequency range 2400MHz~2483.5MHz
Test setup:	 <p>The diagram illustrates the test setup. A Spectrum Analyzer is connected to an E.U.T. (Equipment Under Test) via a red cable. Both are placed on a Non-Conducted Table, which is supported by a Ground Reference Plane.</p>
Test Instruments:	Refer to section 6.0 for details
Test mode:	Refer to section 5.3 for details
Test results:	Pass

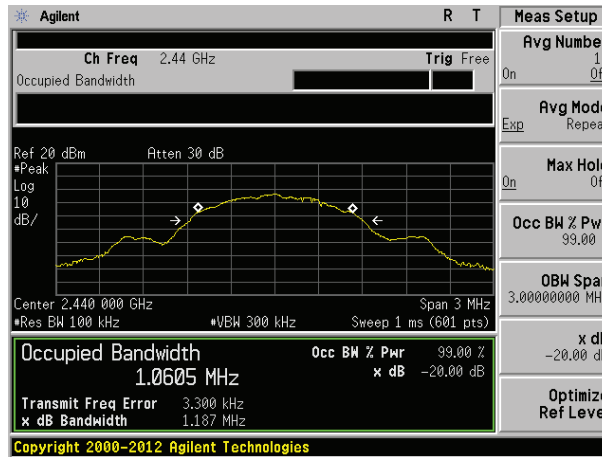
#### Measurement Data

Test channel	Frequency (MHz)	20dB bandwidth(MHz)	Result
Lowest	2402	1187	Pass
Middle	2440	1187	Pass
Highest	2480	1212	Pass

Test plot as follows:



Lowest channel



Middle channel

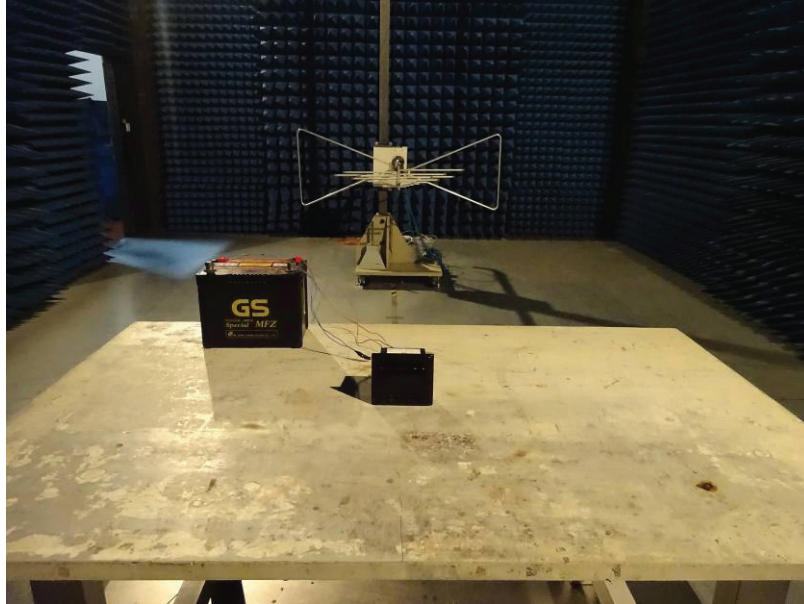


Highest channel

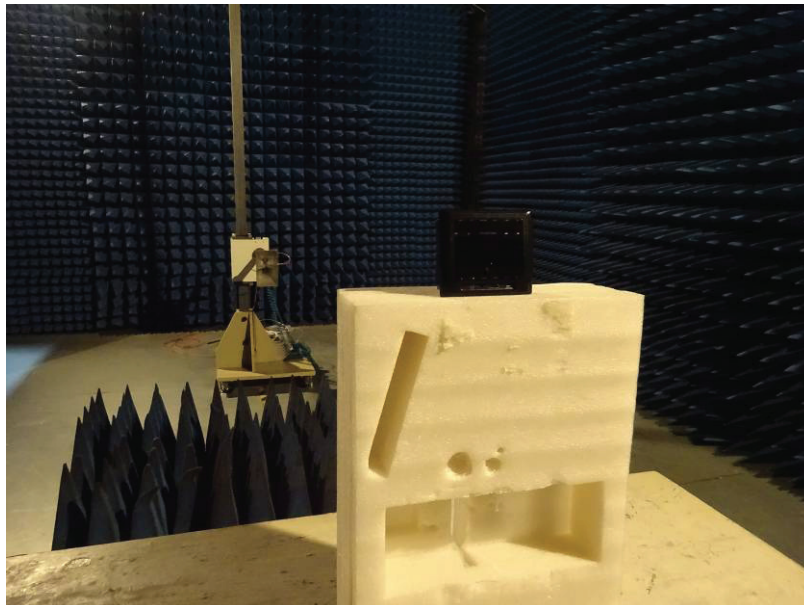
## 8 Test Setup Photo

Radiated Emission

Below 1GHz



Above 1GHz



## 9 EUT Constructional Details

Reference to the test report No. GTS16000949E01

----- End -----