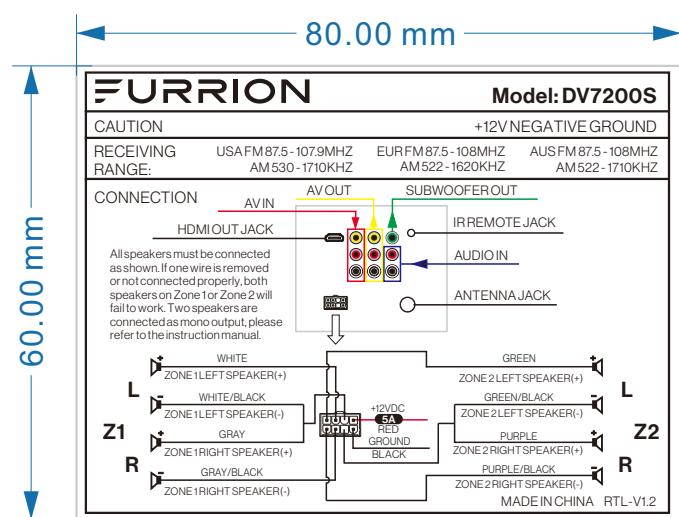


REV.	DESCRIPTION	PROJECT ENGR/DATE	APPROVAL /DATE
------	-------------	-------------------	----------------

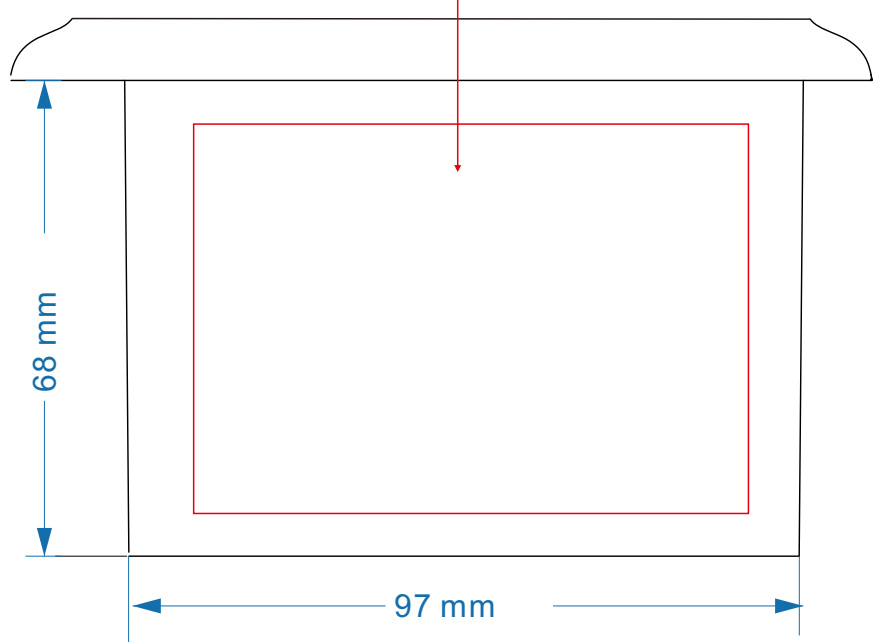


COLOR CHART

- RED 100M 85Y
- YELLOW 100Y
- BLUE 100C 100M
- GREEN 100C 100Y
- LIGHT GREY 30K
- BLACK 100K

: LB0R21010003-00-00

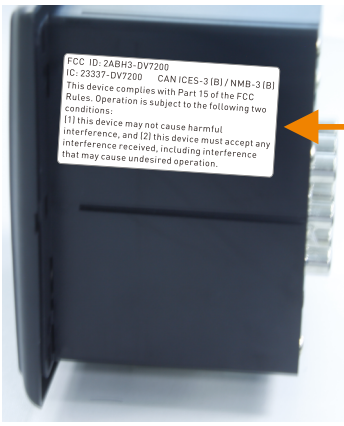
Top side



		DRAWN BY: JackCheng	CHECKED BY:	AUDITING BY:	APPROVED BY:
		DATE:	DATE:	DATE:	DATE:
MODEL: DV7200S	PAT NAME: 贴纸	MAT'L: 80铜版纸过光胶	SCALE: 1:1	SHEET: OF	
PART NO. LB0R21010003-00-00	REV. A	FILE NAME:	SIZE: A4	FINISH:	QTY 1

REV.	DESCRIPTION	PROJECT ENGR/DATE	APPROVAL /DATE
------	-------------	-------------------	----------------

Right side

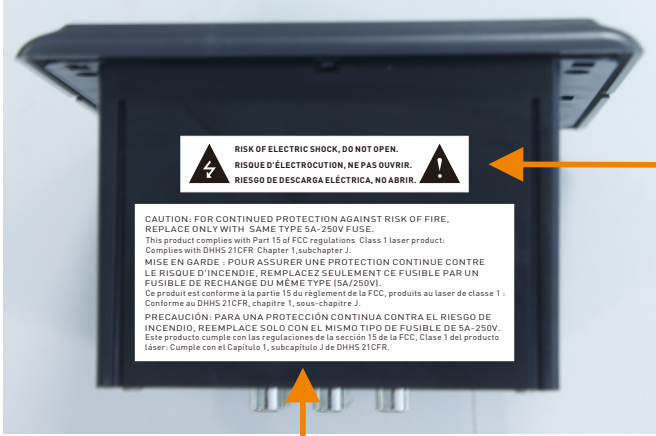


51.0 mm

26.0 mm

FCC ID: 2ABH3-DV7200
IC: 23337-DV7200 CAN ICES-3(B) / NMB-3(B)
This device complies with Part 15 of the FCC Rules. Operation is subject to the following two conditions:
(1) this device may not cause harmful interference, and (2) this device must accept any interference received, including interference that may cause undesired operation.

LB0R21010003-00-11



62.00 mm

12.00 mm

⚡ RISK OF ELECTRIC SHOCK, DO NOT OPEN.
RISQUE D'ÉLECTROCUTION, NE PAS OUVRIR.
RIESGO DE DESCARGA ELÉCTRICA, NO ABRIR.

LB0RPP180013-04-00

80.00 mm

33.00 mm

CAUTION: FOR CONTINUED PROTECTION AGAINST RISK OF FIRE, REPLACE ONLY WITH SAME TYPE 5A-250V FUSE.
This product complies with Part 15 of FCC regulations. Class 1 laser product:
Complies with DHHS 21CFR Chapter 1, subchapter J.
MISE EN GARDE : POUR ASSURER UNE PROTECTION CONTINUE CONTRE LE RISQUE D'INCENDIE, REMPLACEZ SEULEMENT CE FUSIBLE PAR UN FUSIBLE DE RECHANGE DU MÊME TYPE (5A/250V).
Ce produit est conforme à la partie 15 du règlement de la FCC, produits au laser de classe 1 :
Conforme au DHHS 21CFR, chapitre 1, sous-chapitre J.
PRECAUCIÓN: PARA UNA PROTECCIÓN CONTINUA CONTRA EL RIESGO DE INCENDIO, REEMPLACE SOLO CON EL MISMO TIPO DE FUSIBLE DE 5A-250V.
Este producto cumple con las regulaciones de la sección 15 de la FCC, Clase 1 del producto láser: Cumple con el Capítulo 1, subcapítulo J de DHHS 21CFR.

LB0R18080043-02-00

		DRAWN BY: JackCheng	CHECKED BY:	AUDITING BY:	APPROVED BY:
		DATE:	DATE:	DATE:	DATE:
MODEL: DV7200	PAT NAME: 贴纸	MAT'L:	SCALE: 80g铜版纸	SHEET: 6 OF 14	
PART NO.	REV. A	FILE NAME:	SIZE: A4	FINISH:	QTY 1