

# DO NOT PRINT THIS PAGE

## Printing Notes:

**Material:** 80 GSM Bond Paper or 50# Bond Paper White

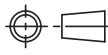
**Ink:** Black

**Resolution:** 150 DPI or above

**Printing method:** Offset Printing

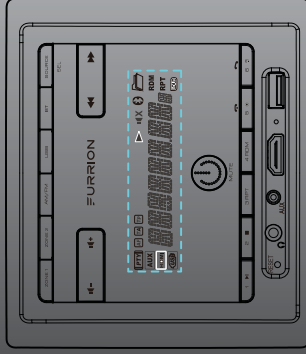
**Binding:** Saddle Stitch

**Folded size:** 100 x 60 mm (W x H)

This drawing contains proprietary information and trade secrets of The Furrion Company, Inc. Unauthorized use or copying is prohibited.						
METRIC [INCH]						
METRIC [INCH]						
CRITICAL DIMENSION CHECKING IS COMPULSORY						
VOLUME	cm <sup>3</sup>	V1.0	07-May-21	New (Contents are same as DV7200 IM-FAV00033_V2.0, excepted the modification of DV7200 to DV7200S.)	Sally Peng	XX
MASS	grams	REV.	DATE	MODIFICATIONS	NAME	ECN NO.
DENSITY	g/cm <sup>3</sup>	MATERIAL: SEE NOTES			The Furrion Company, Inc.	
GENERAL TOLERANCES EXCEPT AS NOTED 0 TO 6mm = ±0.1 >6 TO 30mm = ±0.2 >30 TO 80mm = ±0.3 >80 TO 180mm = ±0.4 >180mm = ±0.5 ANGULAR = ± 3°		FINISH SPEC: SEE NOTES			COMPOSITE-NO	SHEET 1 OF 1
		SCALE: 1:1	DATE: 07-May-21	DRAWN BY: Sally Peng	APPROVED BY: Ricky Deng	REVISION: 1.0
		NAME: User Manual for DV7200S Entertainment System				PART NO: IM-FAV00087

# FURRION

## Entertainment System DV 7200S User Manual



## **Welcome**

Thank you for purchasing this Furrion® Entertainment System. Before placing your new product into operation, please read these operating instructions carefully. They contain important information for safe use, installation and maintenance of the product.

Please keep this manual in a safe place for future reference. Pass it onto possible new owners of the product. The manufacturer does not accept responsibility for any damages that may arise due to non-observation of these instructions.

## **Contents**

<b>Welcome</b> .....	<b>1</b>
<b>Contents</b> .....	<b>2</b>
FCC Statements .....	3
IC Statements .....	4
<b>Locations and Names of the Controls</b> .....	<b>5</b>
<b>Remote Control</b> .....	<b>7</b>
<b>Installation</b> .....	<b>9</b>
<b>Connections</b> .....	<b>11</b>
<b>Operation</b> .....	<b>16</b>
Common Operation .....	16
Radio Operation .....	19
USB Operation .....	20
Bluetooth Operation .....	21
<b>Specification</b> .....	<b>25</b>

---

### **FCC State ments**

Changes or modifications not expressly approved by the party responsible for compliance could void the user's authority to operate the equipment.

This equipment has been tested and found to comply with the limits for a Class B digital device, pursuant to Part 15 of the FCC Rules. These limits are designed to provide reasonable protection against harmful interference in a residential installation. This equipment generates, uses and can radiate radio frequency energy and, if not installed and used in accordance with the instructions, may cause harmful interference to radio communications. However, there is no guarantee that interference will not occur in a particular installation.

If this equipment does cause harmful interference to radio or television reception, which can be determined by turning the equipment off and on, the user is encouraged to try to correct the interference by one or more of the following measures:

- Reorient or relocate the receiving antenna.
  - Increase the separation between the equipment and receiver.
  - Connect the equipment into an outlet on a circuit different from that to which the receiver is connected.
  - Consult the dealer or an experienced radio/TV technician for help.
- This equipment complies with FCC radiation exposure limits set forth for an uncontrolled environment. This transmitter must not be co-located or operating in conjunction with any other antenna or transmitter.

### **IC Statements**

This device contains licence-exempt transmitter(s)/receiver(s) that comply with Innovation, Science and Economic Development Canada's licence-exempt RSS(s). Operation is subject to the following two conditions:

- (1) This device may not cause interference.
- (2) This device must accept any interference, including interference that may cause undesired operation of the device.

L'émetteur/récepteur exempt de licence contenu dans le présent appareil est conforme aux CNR d'Innovation, Sciences et Développement économique Canada applicables aux appareils radio exempts de licence. L'exploitation est autorisée aux deux conditions suivantes :

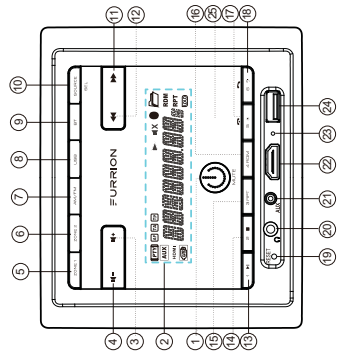
- (1) L'appareil ne doit pas produire de brouillage;
- (2) L'appareil doit accepter tout brouillage radioélectrique subi, même si le brouillage est susceptible d'en compromettre le fonctionnement.

This equipment complies with IC RSS - 102 radiation exposure limits set forth for an uncontrolled environment. This equipment should be installed and operated with minimum distance 20cm between the radiator and your body.

Cet équipement est conforme aux limites d'exposition aux radiations IC CNR - 102 établies pour un environnement non contrôlé. Cet équipement doit être installé et utilisé avec une distance minimale de 20 cm entre le radiateur et votre corps.

**FURRION**

**Locations and Names of the Controls**



Item	Button
1	Power & Mute
2	LCD Display
3	Volume +
4	Volume -
5	ZONE 1

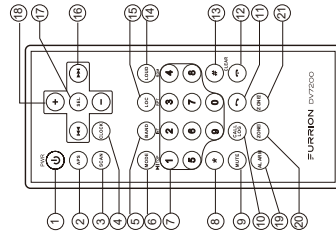
5 ————— FURRION

**Locations and Names of the Controls**

Item	Button	Item	Button	Item	Button	Item	Button
⑥	ZONE 2	⑪	Next	⑮	3/RPT	⑲	RESET
⑦	AM/FM	⑫	Previous	⑯	1/Play/ Pause	⑳	Headphone Socket
⑧	USB	⑬	2/STOP	⑰	4/RDM	㉑	Aux In Jack
⑨	BT	⑭	5/Backlight/ Hang up	⑱	6/Clock, Adjust/ Alarm/TEL	㉒	HDMI In Jack
⑩	SOURCE/ SEL	⑰	6/Clock, Adjust/ Alarm/TEL	㉓	Microphone	㉔	USB Socket
		⑱	RESET	㉔	USB Socket	㉕	NFC Detection Area



## Remote Control



Item	Button	Item	Button
①	POWER	⑥	MODE
②	APS	⑦	Number[0-9] 1/PLAY/ PAUSE /TOP Button 2/INT Button 3/RPT Button 4/RDM Button
③	SCAN	⑧	* Button
④	CLOCK		
⑤	BAND		

FURRION

### Remote Control

Item	Button
⑨	MUTE
⑩	CALL LOG
⑪	TEL
⑫	HANG UP
⑬	# Button

Item	Button
⑭	LOUD
⑮	LOCAL
⑯	UP & DOWN
⑰	SEL
⑱	+ & -

Item	Button
⑲	ALARM
⑳	ZONE 1
㉑	ZONE 2

FURRION

## **Installation**

### **Location**

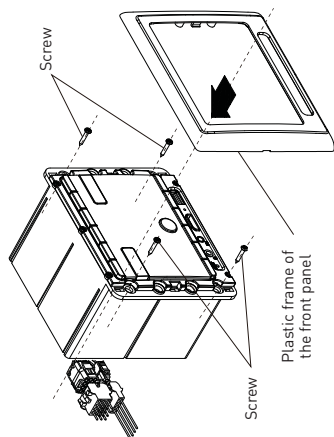
- Choose a mounting location away from humid areas, water sources, burning products or any equipment that can radiate heat.
- Select an area on the wall or cabinet, which is free from cable, fuel or brake lines. There is a vent hole at the back of the unit for cooling purpose, do not block it.
- Ensure when the stereo is mounted in the cut out that the wires at the rear of the unit are not pressed against the heat sink.

### **Installing the unit**

- Before finally installing the unit, connect the wiring temporarily and make sure the unit and the system can work properly.
- Fix the unit to the wall using 4 self-tapping screw as indicated in the illustration.

## Installation

1. Remove plastic frame of the front panel from the unit.
2. Fix the unit to the wall with 4 #8 pan head self-tapping screw.
3. Replace the plastic frame of the front panel to the unit.



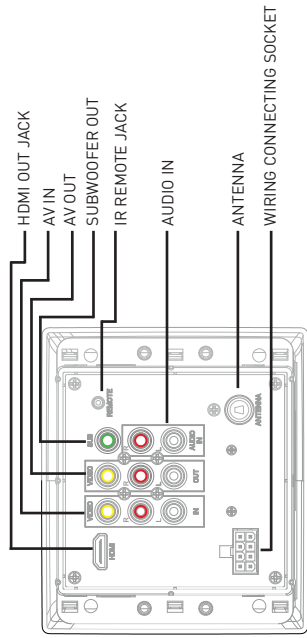
## Connections

Supported Audio Format	
File Extension	.mp3 .wma
Audio Code	MP3 WMA
Bit Rate	16kbps - 320kbps CBR/VBR 16kbps - 320kbps
Sampling Rate	8k - 48kHz 8k - 48kHz
Remark	/ WMA only support WMA7/WMA8/WMA9/ [CBR/VBR][only support 353 format]

**NOTE:** Reading the above file formats is not guaranteed.

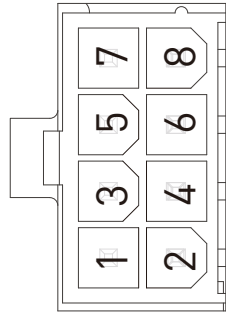
# Connections

## Wiring Diagram



## Connections

Wiring connecting socket view



Item	Color	Function
①	Green	Zone 2 Left Speaker(+)
②	Purple/ Black	Zone 2 Right Speaker(-)
③	White	Zone 1 Left Speaker(+)
④	Gray/ Black	Zone 1 Right Speaker(-)
⑤	Gray	Zone 1 Right Speaker(+)
	White/ Black	Zone 1 Left Speaker(-)

⑬

FURRION

## Connections

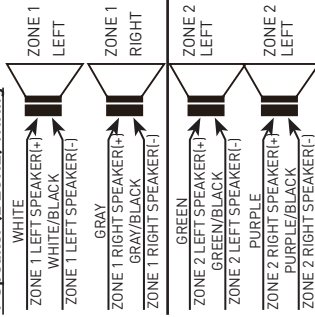
Item	Color	Function
⑥	Purple	Zone 2 Right Speaker(+)
	Green/ Black	Zone 2 Left Speaker(-)
⑦	Red	+12V DC
⑧	Black	Power Ground

**NOTE:** All speakers must be connected as shown. If one wire is removed or not connected properly, all speakers on relevant zone will fail to work. It is of importance to pay attention in speaker polarity. Connection with incorrect speaker polarity will lead to poor sound quality.

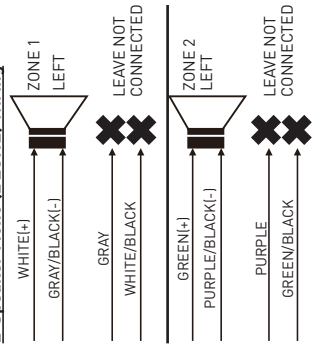


## Connections

### 4-Speaker (2 ZONE) Wiring



### 2-Speaker Mono (2 ZONE) Wiring



## Operation

### Common Operation

1. To turn the unit On/Off  
When the unit is powered **Off**, it may be switched On by pressing the **POWER** button. When the unit is switched On, press and hold the **POWER** button to switch it off.
2. To select the function mode  
Press **AM/FM**, **USB**, **BT** button on the front panel to select the corresponding mode.  
Press **SOURCE** button repeatedly on the front panel to select HDMI, AUX, AV mode.  
During playback, press **VOLUME+** or **VOLUME-** button on the front panel to increase or decrease the volume.
4. To mute or resume the sound  
During playback, press **MUTE** button on the front panel to mute or resume the sound immediately.
5. To check speaker output status and select speaker output  
Short-press **ZONE 1** or **ZONE 2** button on the front panel to check the speaker output status.  
Press and hold **ZONE 1** or **ZONE 2** button on the front panel to turn on/off the corresponding speaker output, "**Z 1 ON/OFF**" or "**Z 2 ON/OFF**" will be displayed on the LCD.
6. To set the sound mode and menu

## Operation

Press and hold **SEL** button to turn on BASS, then press **SEL** button repeatedly to select or circulate through TRE (treble), EQ OFF (FLAT)...AMERICA3/AUSTRALIA/EUROPE (in radio mode), press **VOLUME+/-** to change the settings. Press **SEL** button to confirm your selection.

- 1) BEEP ON/BEEP OFF

**BEEP ON** mode: The beep is generated when any key is pressed.

**BEEP OFF** mode: The beep sound is disabled.

- 2) VOL LAST/VOL DEFA

**VOL LAST**: The last volume level setting will be saved automatically after switched the unit off, and restored after powered on.

**VOL DEFA**: Press **SEL** button on the front control panel, the **AVOL** mark will be displayed on LCD. Use **VOLUME+/-** to set the volume level as a constant value.

- 3) DX/LOCAL

In Radio mode, with the DX/LOCAL selection you can change the attenuator settings at the input stage of the radio. This selection helps to avoid overloading the radio when strong (local) stations are received. Select DX (distant) mode to receive far / weak radio stations (highest sensitivity settings are enabled) and select LOCAL for very strong stations (which are located nearby).

**(NOTE)**: This button is only for FM reception. In AM mode, LOC is invalid.)

## Operation

7. To display and adjust the time.  
Press and hold **6** button until the clock becomes flashing. Use **VOLUME +/-** button to adjust the hour, and **◀/▶** button to adjust the minute.
8. To adjust the backlight brightness  
Press and hold **5/BACKLIGHT** button repeatedly to adjust the backlight.
9. Alarm Function
  - 1) To turn On/Off the alarm mode  
Press **6** button repeatedly to enter the alarm setting mode. (Use **VOLUME +/-** button to select **ALARM ON** or **ALARM OFF**)
  - 2) To set the **ALARM** time  
Press and hold the **6** button repeatedly to **ALARM** time setting mode (the LCD will display the time "AM 00'00" ), then use the **◀/▶** button to set the **MINUTE** and **VOLUME +/-** button to set the **HOUR**.
10. To reset the unit.
  - 1) Press **RESET** button with a cuspidal object. The unit will be reseted to factory default settings.
  - 2) In **AUX** mode, press and hold **2/STOP** button until the LCD displays "**RESET III**", then press and hold **3/RPT** button to reset to the factory default settings.

## Operation

### Radio Operation

1. To select radio band  
Press **AM/FM** button repeatedly to select a desired radio band in sequence and circulating as:  
-->FM1 -->FM2-->FM3-->AM1-->AM2-->
2. To search for radio station manually or automatically  
– In radio mode, press **◀/▶** button to search your desired radio stations up/down manually.  
– Press and hold **◀/▶** button to search for the strongest station up/down automatically.
3. To store current station or turn on a preset one  
– 1) If you want to store the current station, press and hold **AM/FM** button until the frequency flashes, press one of the digit buttons from 1-6 to store the current station in the preset memory bank. In this way the unit can store 30 preset stations.  
– 2) Press one of the 6 buttons from 1-6 to enter the preset station in current band.
4. To auto search and store the top 6 strongest stations  
In radio mode, press and hold **Z/STOP** button on the front panel, the unit will start to search the available stations and check the signal strength from the lowest frequency. The top 6 strongest stations will be saved to the corresponding preset numbered band 1-6.
5. To set the frequency  
Press and hold **SEL** button to turn on BASS, then press **SEL** button repeatedly to select AMERICA3, AUSTRALIA or EUROPE area, press **VOLUME+/-** button to select your desired frequency, Press **SEL** button to confirm your selection.

19

## Operation

### USB Operation

1. To insert or pull out the USB stick  
To play the tracks in USB disk, insert the USB disk into the USB port. The playing mode will be changed to USB mode automatically and the USB mark will be displayed on LCD.
2. Press **◀** or **▶** button to play previous or next track.
3. To play fast forward or backward  
Press and hold **◀** or **▶** button to play backward or fast forward, release to resume normal playback.
4. To play previous or next 10th track.  
Press 5 or 6 button to play previous or next 10th track.
5. How to use **1/PLAY/PAUSE** button  
During playback, press **1/PLAY/PAUSE** button to pause playback, press **1/PLAY/PAUSE** button again to resume, press and hold **1/PLAY/PAUSE** button to select the first track to play.
6. To repeat track(s)
  - During playback, press **3/RPT** button briefly to play the current track repeatedly. **RPT ONE** will be displayed on LCD.
  - Press **RPT** button twice to play the track(s) in the album repeatedly. **RPT DIR** will be displayed on LCD.
  - Press **RPT** button thrice to repeat all tracks. **RPPT ALL** will be displayed on LCD.

## Operation

- Press the **RPT** button four times to cancel the RPT function. **RPT OFF** will be displayed on LCD.
- 7. To play tracks at random  
During playback, press **RDM** button to play all tracks at random. Press it again to cancel. To select a track, press **RDM** button to play all tracks at random. Press it again to cancel.
- 8. Press **USB** button, the TRK 0/00/000 (depending on the total tracks to be saved in the USB disk, the track may be different) mark will be displayed on LCD and the digit 0 becomes flashing. Press **VOLUME+** button to select a digit from 0-9, press **USB** button to confirm your selection, the digit 00 becomes flashing. Repeat the steps above to input the digits at 00 and 000 positions. After finished the inputting, press **PLAY/PAUSE** button to play the track to be selected.

## Bluetooth Operation

### Pair and Connect

1. Click the **BT** button in DV7200S to go to Bluetooth mode.
2. You should see **NO LINK** displayed in the LCD. If you see **BT LINK** and the Bluetooth icon is on, it means DV7200S is already connected to another mobile. You can clear it by pressing and holding the **BT** button for ~ 2 seconds until **NO LINK** is shown, then continue with the rest of the steps below.
3. Go to the Bluetooth section of your mobile, usually under Settings for another sub-menu under

## Operation

4. Connections)  
Ensure Bluetooth is turned On.
5. Select FURRION DV7200S-XXXX (where X can be any alphanumeric number A-Z or 0-9). In Android devices, you will see another similarly-named device under DV7200S-40-XXXX. DO NOT use that one. It is used for Apps control to be described later. If you click on it accidentally, please click the gear icon to get (or unpair) it.
6. Enter 0000 when prompted for PIN.
7. If the pairing and connection is successful, the mobile will show connected while DV7200S will show **BT LINK** and the Bluetooth icon in LCD.

**NOTE:** DV7200S supports NFC pairing. The NFC detection area is on the right of the **Power** button.

### Disconnect and Reconnect

- Bluetooth connection of mobile devices typically covers a 33 ft (10 m) open-field range. And DV7200S "remembers" the last connected mobile. For any out-of-range disconnection, DV7200S will auto-reconnect to your mobile once it is back in range again.
- If you explicitly disconnect the Bluetooth link by pressing the corresponding menu item in your mobile, DV7200S will not auto-reconnect. You can press the menu item in mobile again to reconnect.
- If you turn off Bluetooth in mobile during a connection, DV7200S will not auto-reconnect when you turn on Bluetooth in mobile again. Some mobile will try to reconnect the last connected



## Operation

device but that's particular mobile's specific implementation.

- However, if you turn off Bluetooth in mobile after an out-of-range disconnection, DV7200S will auto-reconnect once you turn on Bluetooth in mobile and it's within connection range.
- Note that during the disconnection arise from any case, DV7200S can be paired and connected by any other mobile device.

### Forget for Unpair]

- You can explicitly forget (or unpair) DV7200S in mobile. If you do that while connected in range, DV7200S will be properly notified and all settled.
- If you do that after an out-of-range disconnection, DV7200S will repair and reconnect the mobile. In that case, you can press and hold the **BT** button for ~ 2 seconds in DV7200S to clear its memory.

### Profiles

- DV7200S supports Audio Playback (AD2P, AVRCP) and Hands free Calling (HFP). Follow your mobile device settings if you want to enable or disable a particular support.

### Audio Playback

- When audio is streamed from mobile to DV7200S, BT AUDIO is shown on the LCD.
- You can control the track modes (play, stop, next, prev) either from mobile or DV7200S.
- If you hear no sound or very low volume output, please check and turn up the volume in mobile.

## Operation

then adjust the volume in DV7200S to the level of your choice.

### Hands free Calling

- Phone calls is automatically transferred to DV7200S.
- To answer and hangup call, press the corresponding buttons in mobile or DV7200S. TALKING is shown on the LCD during the call.
- To dial out, use dial pad or phone book in mobile to make the call. You can press the **TEL** button in DV7200S to recall the last number. With the physical remote control, you can press the **CALL LOG** button to select LAST DIAL, LAST IN, and LAST MISS, then press **+ or -** button to flip through the last numbers.
- While talking, use **Volume +/-** to adjust the speaker volume level. The adjustment is for the call instance only. It cannot be saved and will not affect the music playback volume.
- Note that **MUTE** button is to mute the speaker only and not the mic. You have to use the phone dialer in mobile to mute the mic if you need to.

## Specification

GENERAL		AM SECTION	
Supply Voltage	DC 12V	Frequency Range	522KHz - 1620KHz (Europe) 530KHz - 1710KHz (U.S.A.) 522KHz - 1710KHz (Australia)
Current Consumption	Max.5A	Effective Sensitivity	40dBu
Power Output	4 x 9 W RMS (4 Ohm speakers).	Preamp Output	1V Output
Number of Channels	4 channels		
Dimensions (W x H x D)	5 1/8 x 4 1/2 x 3 3/8 inch 130 x 113 x 86 mm		

## Specification

FM SECTION		USB PLAYBACK	
Frequency Range	87.5MHz - 108MHz (Europe) 87.5MHz - 107.9MHz (U.S.A.) 87.5MHz - 108MHz (Australia)	Audio Format	MP3, WMA
Effective Sensitivity	12dBu	Frequency Characteristics	20Hz - 100Hz <=5dB 10KHz-20KHz <=5dB
		Signal to Noise Ratio (SNR)	50dB [1KHz]

# FURRIION

## Furriion Innovation Center & Institute of Technology

- 52567 Independence Ct., Elkhart, IN 46514, USA ● Toll free: 1-800-789-3341
- Email: [support@furriion.com](mailto:support@furriion.com)

©2007-2021 Furriion Ltd. Furriion® and the Furriion logo are trademarks licensed for use by Furriion Ltd. and registered in the U.S. and other countries.

For Patent Info: [www.furriion.com/pages/patents](http://www.furriion.com/pages/patents)

**FURRIION.COM**

IM-FAV00087 V1.0