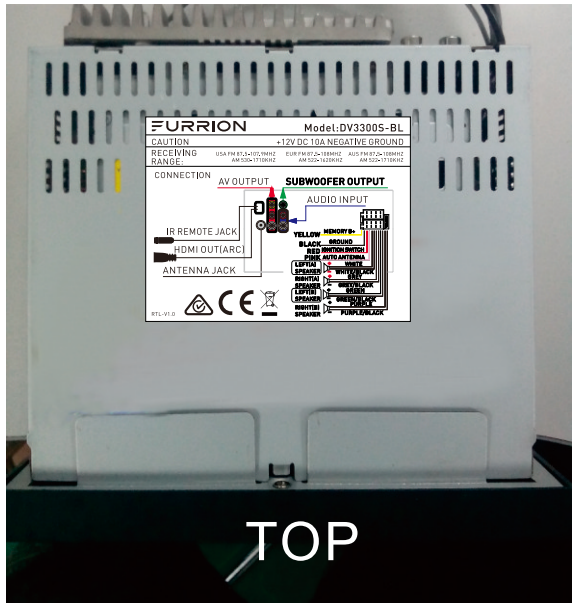


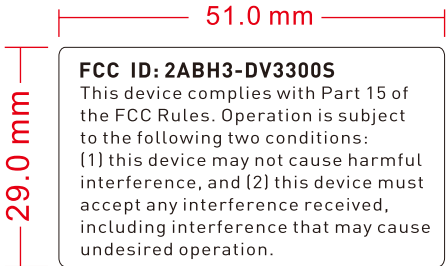
REV.	DESCRIPTION	PROJECT ENGR/DATE	APPROVAL /DATE
------	-------------	-------------------	----------------



BOTTOM

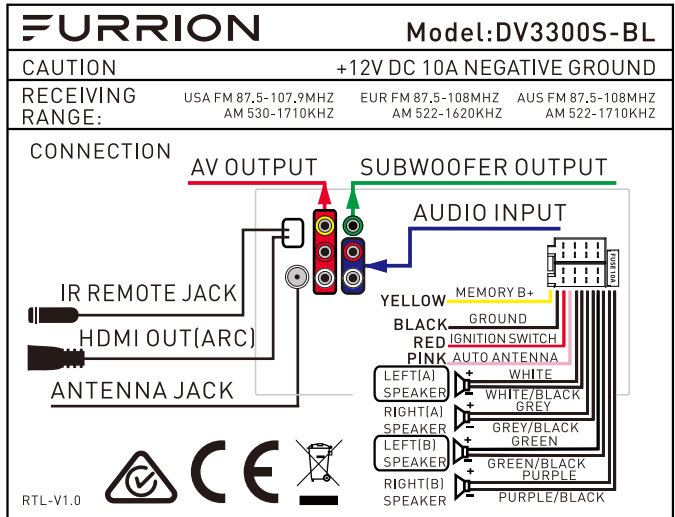


TOP



FCC ID: 2ABH3-DV3300S
 This device complies with Part 15 of the FCC Rules. Operation is subject to the following two conditions:
 (1) this device may not cause harmful interference, and (2) this device must accept any interference received, including interference that may cause undesired operation.

FCC Label



Label

		DRAWN BY: JackCheng	CHECKED BY:	AUDITING BY:	APPROVED BY:
		DATE:	DATE:	DATE:	DATE:
MODEL: Dv3300S-BL	PAT NAME: FCC Label	MAT'L: FCC Label	SCALE: 80g	SHEET: 6 OF 12	
PART NO.	REV. A	FILE NAME:	SIZE: A4	FINISH:	QTY 1