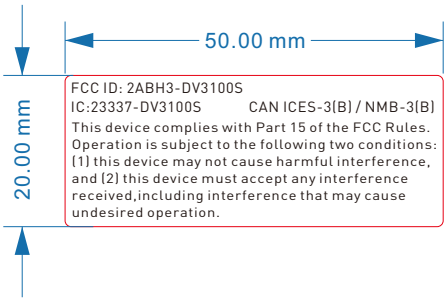
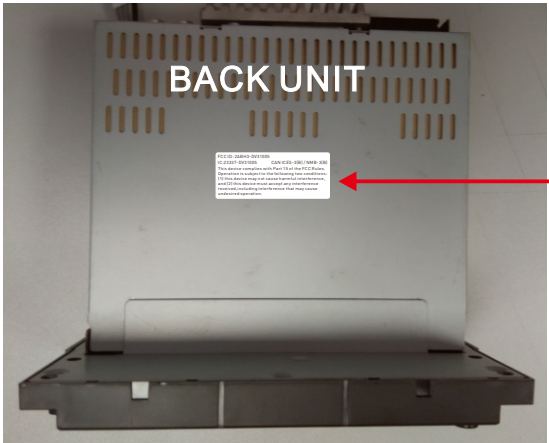


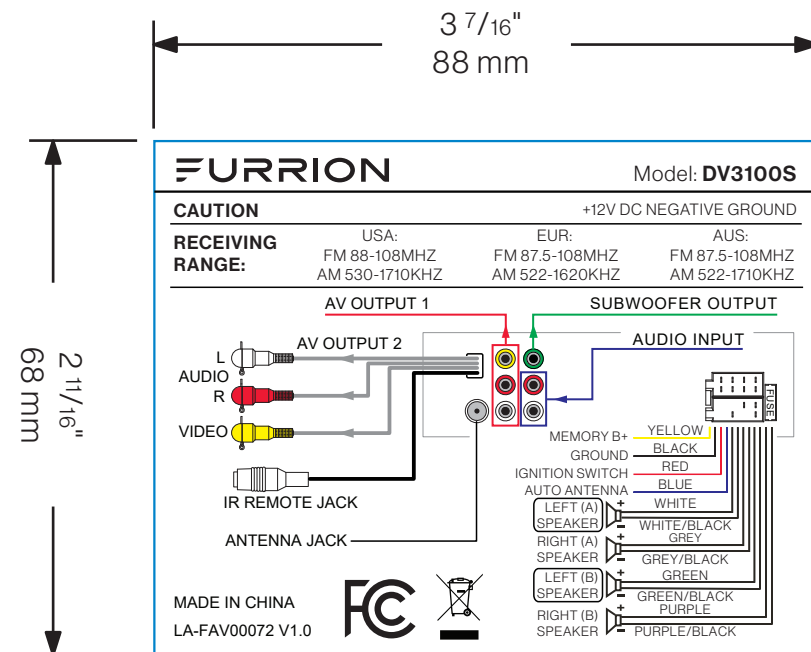
REV.	DESCRIPTION	PROJECT ENGR/DATE	APPROVAL /DATE
------	-------------	-------------------	----------------



LB0RPP180013-00-1X

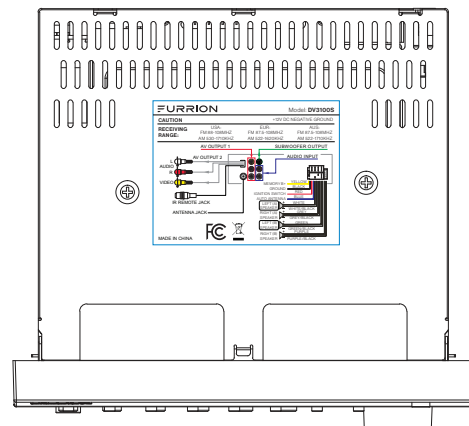
		DRAWN BY: JackCheng	CHECKED BY:	AUDITING BY:	APPROVED BY:
		DATE:	DATE:	DATE:	DATE:
MODEL: DV3100S	PAT NAME: FCC 贴纸	MAT'L: 80g铜版纸过光胶	SCALE:	SHEET:	OF
PART NO.	REV. A	FILE NAME:	SIZE: A4	FINISH:	QTY 1

Program: Illustrator CC
White
Black
Yellow: 100Y
Red: 100M, 85Y
Blue: 100C, 100M
Green: 100C, 100Y



NOTES:

1. THE DRAWING IS LAYER CONTROLLED.
- CONTENTS ON LAYER "NOTES" ARE FOR REFERENCE ONLY, DO NOT PRINT.
- ONLY CONTENTS ON LAYER "ART" & "VARIABLE TEXT" SHOULD BE PRINTED OUT.
2. MATERIAL: 3 MIL MATTE WHITE SYN PAPER.
3. ADHESIVE: PERMANENT ACRYLIC BASED ADHESIVE.
4. PRINTING AND COLORS TO BE PER FURRION APPROVED ARTWORKS.
5. BLUE BOLDER IS DIE-CUT LINE, DO NOT PRINT.
6. SEE THE DIAGRAM BELOW FOR LABEL POSITIONING.



Furrion reserve the right to alter the information in this document without prior notice.
Furrion shall not be liable for technical or editorial errors or omissions contained herein.

METRIC									
CRITICAL DIMENSION									
CHECKING IS COMPULSORY									
TOOLING TO BE PER 3D GEOMETRY									
VOLUME	cm ³	1.0	07-Jan-20	NEW			Lucas Sun	-----	
MASS	grams		REV.	DATE	MODIFICATIONS		NAME	ECN NO.	
DENSITY	g/cm ³		MATERIAL: SEE NOTES				<i>Furrion Property Holding Ltd</i>		
GENERAL TOLERANCES EXCEPT AS NOTED		FINISH SPEC.: SEE NOTES		COMPOSITE- NO		SHEET 1 OF 1			
0 TO	6mm	= ±0.1	SCALE:	DATE:	DRAWN BY:	APPROVED BY:	SHEET SIZER	EVISION	
>6 TO	30mm	= ±0.2	1:1	07-Jan-20	Lucas Sun	Ricky Deng	A3	1.0	
>30 TO	80mm	= ±0.3	NAME: Rating Label for DV3100S Entertainment System		PART NO.: LA-FAV00072				
>80 TO	180mm	= ±0.4							
>180mm		= ±0.5							
ANGULAR		= ± 3°							