

## Audi Q5

# Owner's Manual

KT1551I

### **WARNING**

This manual contains important safety and use information. Keep this manual for future reference.

- An adult must read this entire manual
- Adult supervision is required at all times

Styles and colors may vary. Made in China

**Age:** 3–5 years

**Weight:** Maximum 60 lbs (27 kg)

**Maximum Speed:** 2.5 MPH

**Battery:** 6 volt



# Safety

## ⚠ WARNING

**FAILURE TO FOLLOW THE SAFETY INSTRUCTIONS LISTED BELOW MAY RESULT IN SERIOUS INJURY OR DEATH.**  
The owner's manual contains assembly, use and maintenance instructions.

### Child Safety Warnings

- Adults supervising children must read and understand this entire manual before allowing any child to use this product.
- Adults must evaluate their own children as to maturity, strength, judgment and ability to follow safety rules. Published age guidelines are not a substitute for careful evaluation of your own child.
- Adults must teach children about thinking ahead while riding as this may be the first time a child has ever controlled a motorized ride-on toy. While you supervise, see through the child's eyes, and verbally teach them about steering and avoiding obstacles in the approved riding area.
- Riding a motorized ride-on toy can be a dangerous activity, even under the best of circumstances. Good choices regarding where and when to ride, constant adult supervision of riding, and practice and careful riding by the child can all help to minimize risk. However this ride-on toy is intended to move and therefore it is possible for the rider to lose control, fall off and/or get into dangerous situations that no amount of care, instruction or expertise can eliminate.
- If this inherent risk is not acceptable, adults should not allow children to ride this ride-on toy.

## ⚠ WARNING

### Safe Riding Warnings

- Not be used by children under three (3) years of age or children over five (5) years of age
  - Do not exceed the maximum weight capacity of 130 lbs. (27kg)
  - Do not allow more than one (1) rider.
- ADULTS AND SUPERVISORS, PLEASE NOTE:**
1. Always instruct all children of common sense rules and safe practices.
  2. Be aware that flat, hard surfaces provide the safest experience for child riders.
  3. Do not allow the child rider to operate the ride-on toy near streets, roads, sidewalks, walkways, or any other place where they may encounter other moving vehicles.
  4. Never leave children unattended with this ride-on toy. Continuous adult supervision is required.
  5. If necessary, adults and supervisors are always responsible for setting up gates and barriers to ensure a safe riding environment for the child rider.
  6. Be aware that this ride-on toy does not have braking capabilities. Allowing use of this ride-on toy in areas that require braking may cause rolls, crashes, serious injury, or death to the child rider.
  7. Teach children not to allow other children to use this ride-on toy. Communicate this message to other adults and supervisors of fellow children with which your child interacts.
  8. Sternly alert children that hands, legs, hair, and clothing can potentially get caught in moving parts. Ensure they never place a body part or piece of clothing near a moving part of the ride-on toy. Avoid loose clothing.
  9. Instruct children to always wear shoes when using the ride-on toy.
  10. Confirm that children do not have access to the charging equipment or come into contact with any part of the ride-on toy while it is charging.
  11. Do not mix old and new batteries.
  12. Do not mix alkaline, standard (carbon zinc), or rechargeable batteries.
  13. Firmly instruct children to use the ride-on toy in a safe manner. Unsafe behaviors include, but are not limited to:
    - Traveling at unsafe speeds
    - Not riding in the seated position
    - Riding at night or in any conditions of low visibility
    - Riding in any wet conditions including rain, snow, and ice
    - Any kind of stunt riding: jumps, ramps, stairs, hills, sloped surfaces, or other actions involving any notable risk
    - Any kind of off-road riding: rough terrain, dirt, mud, gravel, or any others that involve notable risk
    - Riding near any pool or open body of water
    - Pushing, pulling, or shoving the driver in any way while operating the ride-on toy
    - Using the ride-on toy without the battery cover or any other safety cover fully closed
    - Pulling or hitching the ride-on toy with other similar moving ride-on toys or products

## ⚠ WARNING

### Battery and Charging Warnings

The following safety hazards may result in serious injury or death to the user of the ride-on:

- Do not mix old and new batteries.
- Do not mix alkaline, standard (carbon-zinc), or rechargeable (nickel-cadmium batteries).



#### Corrosive Material Warnings

- Battery posts, terminals and related accessories contain lead and lead compounds (acids) chemicals and are toxic and corrosive. Never open the battery.
- Contact or exposure to battery leakage (lead acid) may cause serious injury. If contact or exposure occurs with the skin or in the eyes, or if the chemical is swallowed, immediately call 911.



#### Flammable and Explosive Materials Warnings

- Use of a battery or charger other than the supplied rechargeable battery and charger may cause a fire or explosion. Only use the supplied rechargeable battery and charger with the ride-on toy.
- Do not charge the battery near heat or flammable materials.
- Using the rechargeable battery and charger for any other product may result in overheating, fire or explosion. Never use the rechargeable battery and charger with another product.

- Contact between the positive and negative terminals may result in fire or explosion. Avoid direct contact between the terminals. Lifting the battery by the wires or charger can cause damage to the battery and may result in a fire. Always lift the battery by its case or handles.
- Plug wall charger directly into a wall outlet. Do not use an extension cord when charging as the use of an extension cord can cause a fire.



#### Electric Shock / Fire Warnings

- Liquids on the battery may cause fire or electric shock. Always keep all liquids away from the battery and keep the battery dry.
- Tampering or modifying the electric circuit system may cause a shock, fire or explosion and permanently damage the system. Exposed wiring, circuitry in the charger may cause electric shock. Always keep the charger housing closed.
- Regularly check charger, supply cord and connector for wear and damage. Look for frayed or kinked wires, any exposed inner wires, any missing insulation. If any damage is observed do not plug in the charger and do not charge the battery.

## ⚠ CAUTION

### Re-Charge Interval and Time Important!

- Damage to the battery may occur if it is allowed to drain completely. Do not allow the battery to drain completely.
- Check the battery and charger (supply cord, connector) for wear and damage before charging. Do not charge the battery if damage has occurred. Do not use an extension cord when charging the ride-on toy.
- On average you will need to charge the battery for 10 hours and no more than 24 hours. Failure to charge the battery as directed could cause permanent damage to the battery and void the warranty.
- Only an adult who has read and understands the safety warnings should handle, charge and recharge the battery.

If you are unsure of any information in this manual or have a question regarding assembly or use please call customer service at 877-741-6154. Always keep this manual for reference and include it with resale of the ride-on toy.

## ⚠ WARNING

### Product Warning

#### ⚠ WARNING

This product can expose you to chemicals including lead, and lead components which is known to the State of California to cause cancer and birth defects or other reproductive harm. For more information go to [www.P65Warnings.ca.gov](http://www.P65Warnings.ca.gov).

### Assembly Warnings

- The ride-on toy must be assembled by an adult who has read and understands the instructions in this manual.
- Choking hazard to children under the age of 3 years. This ride-on toy contains small parts that are for adult assembly only. Keep small children away when assembling.
- Remove and dispose of all protective materials, plastic bags and packaging before assembly.

# Pre-Ride Safety Checklist

## To be performed by a supervising adult

Before every ride, it is important to carry out the following safety checks. Do not ride a battery-powered ride-on toy that is not in proper working condition! Replace any worn or broken parts as needed.

### Steering and Control

- The steering wheel or handlebars are tightened and secured in the mount or dashboard.
- The steering wheel or handlebars are positioned so that the rider can easily operate and steer the ride-on. There must be no difficulty for the rider in turning and/or operating the powered foot pedal or hand operated push button.
- The steering wheel or handlebars are aligned so that the steering column and front wheels are oriented in the same direction.

### Wheels

- The wheels are securely attached to the battery-powered ride-on and they are in good condition. It is acceptable to have slight lateral movement in each wheel.
- The wheels have no holes or are worn down in any one area and that the traction strips are intact and secured to the wheels.
- The drive wheel is securely fastened to the gear box, which houses the motor.

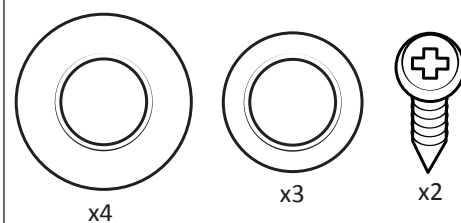
### Ride-on

- For all electrical components, make sure:
  - The battery is fully charged.
  - The charging cord is NOT attached to the ride-on in any way.
  - All connectors are securely snapped in place and will not come detached while riding.
  - No wiring is exposed, worn, or detached in any way; the motor is not hot to touch.
  - All electrical buttons, including the power button, accelerator foot pedal or hand operated button, and any buttons for lights and sounds, work properly.
  - If the ride-on's electrical components show any sign of damage or missing parts DO NOT RIDE until the condition is corrected.
- Make sure the ride-on is:**
  - Clean, dry, and in good condition.
  - All plastic pieces, including fenders, seat, footrests, steering wheel or handlebars, wheels, bumpers, and/or hub caps are securely attached.
  - There are no cracks or structural problems on the ride-on toy.
  - If the ride-on toy shows any sign of damage or missing parts DO NOT RIDE IT until the condition is corrected.

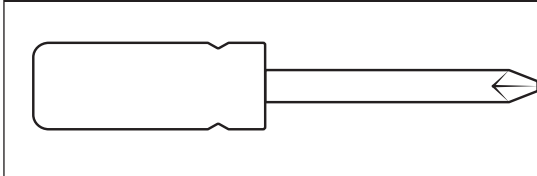
# Parts Checklist

Number	Part name	Quantity
1	Windshield	1
2	Seat screw	2
3	Seat	1
4	Steering wheel	1
5	Steering wheel bolt (attached to steering wheel)	1
6	Steering wheel nut (attached to steering wheel)	1
7	Audi Q5 body	1
8	Small wheel washer	3
9	Non-drive wheel	3
10	Large wheel washer	4
11	Wheel nut (attached to axles)	4
12	Wrench (attached over the nut on axles)	4
13	Hubcap	4
14	Remote control	1
15	Battery charger	1
16	Gear wheel	1

## Hardware Bag:

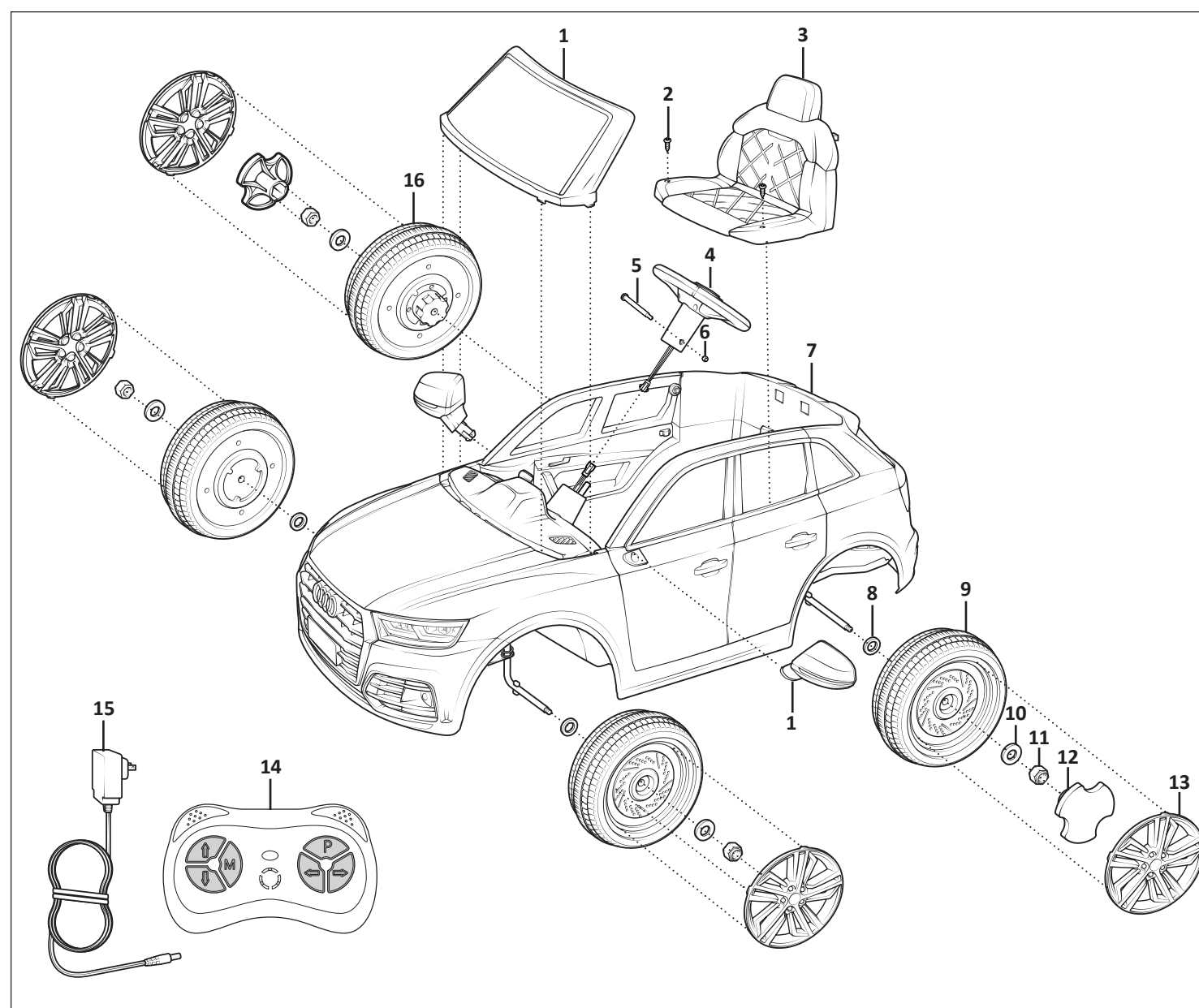


## Tools Required



# Parts

Before you begin assembling, check that all parts listed are present.



# Assembly: Attach the wheels

Follow the assembly steps in the order listed below.

**1 Attach the gear wheel.**

- Firmly press the gear wheel into the gear box (located under the body in the wheel well) until the wheel is **completely** inserted into the gearbox
- Insert a washer onto the rear axle until it meets the wheel
- Fasten the wheel nut onto the end of the axle. **Do not tighten the wheel nut at this time**

**2 Attach the opposite rear wheel.**

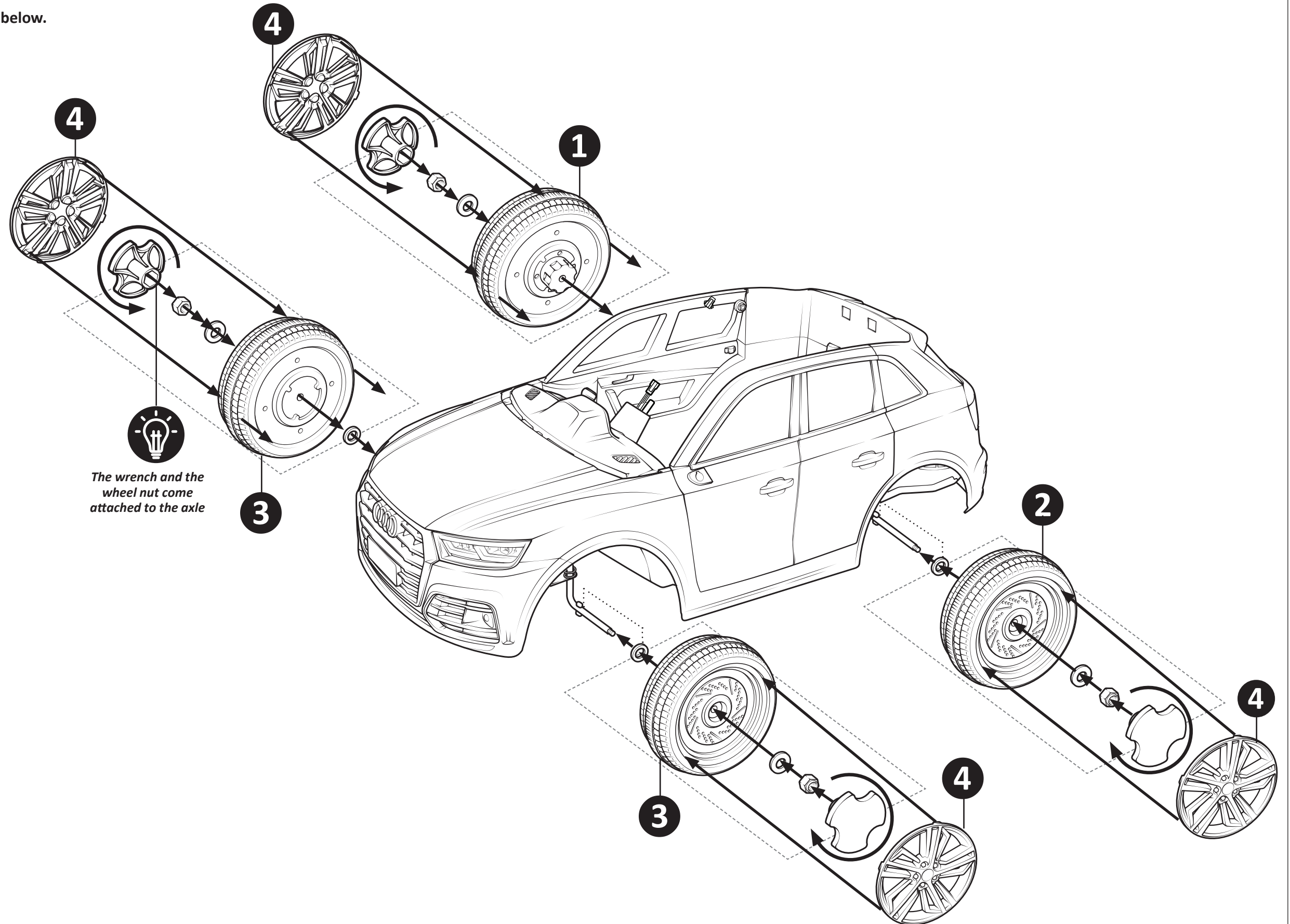
- Slide a washer onto the front axle until it reaches the notch on the axle.
- Insert the wheel onto the axle until it meets the washer
- Slide a second washer onto the axle until it meets the wheel
- Using the two wrenches you removed from the rear axle tighten each rear wheel nut, turning in opposite directions **at the same time**.

**3 Attach the front wheels.**

- Slide a washer onto the front axle until it reaches the notch on the axle.
- Insert the wheel onto the axle until it meets the washer
- Slide a second washer onto the axle until it meets the wheel
- Using the two wrenches you removed from the rear axle tighten each wheel nut.

**4 Attach the hubcaps caps.**

- Align the tabs of the hubcaps with the slots in the wheel rim and press the hubcaps in until the hubcap snaps into place

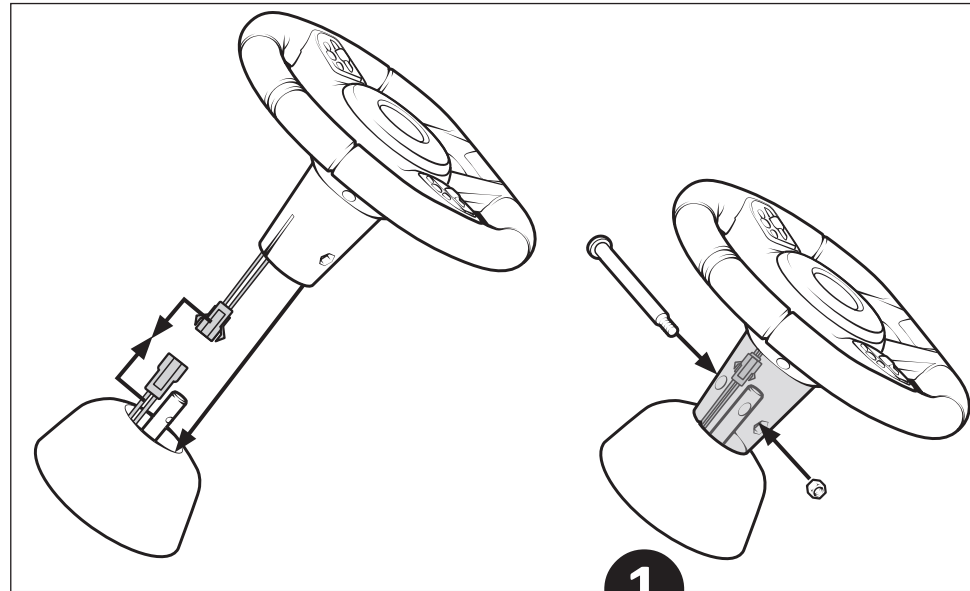


# Assembly: Attach the steering wheel, windshield and mirrors

Follow the assembly steps in the order listed below.

## 1 Attach the steering wheel.

- Remove the nut and bolt from the steering wheel
- Connect the wire connectors coming from the steering column to the wires on the steering wheel
- Insert the steering wheel over the steering column
- Insert the nut into the hex shape opening on the steering wheel
- Insert the bolt through the steering wheel and steering column and fasten into the nut

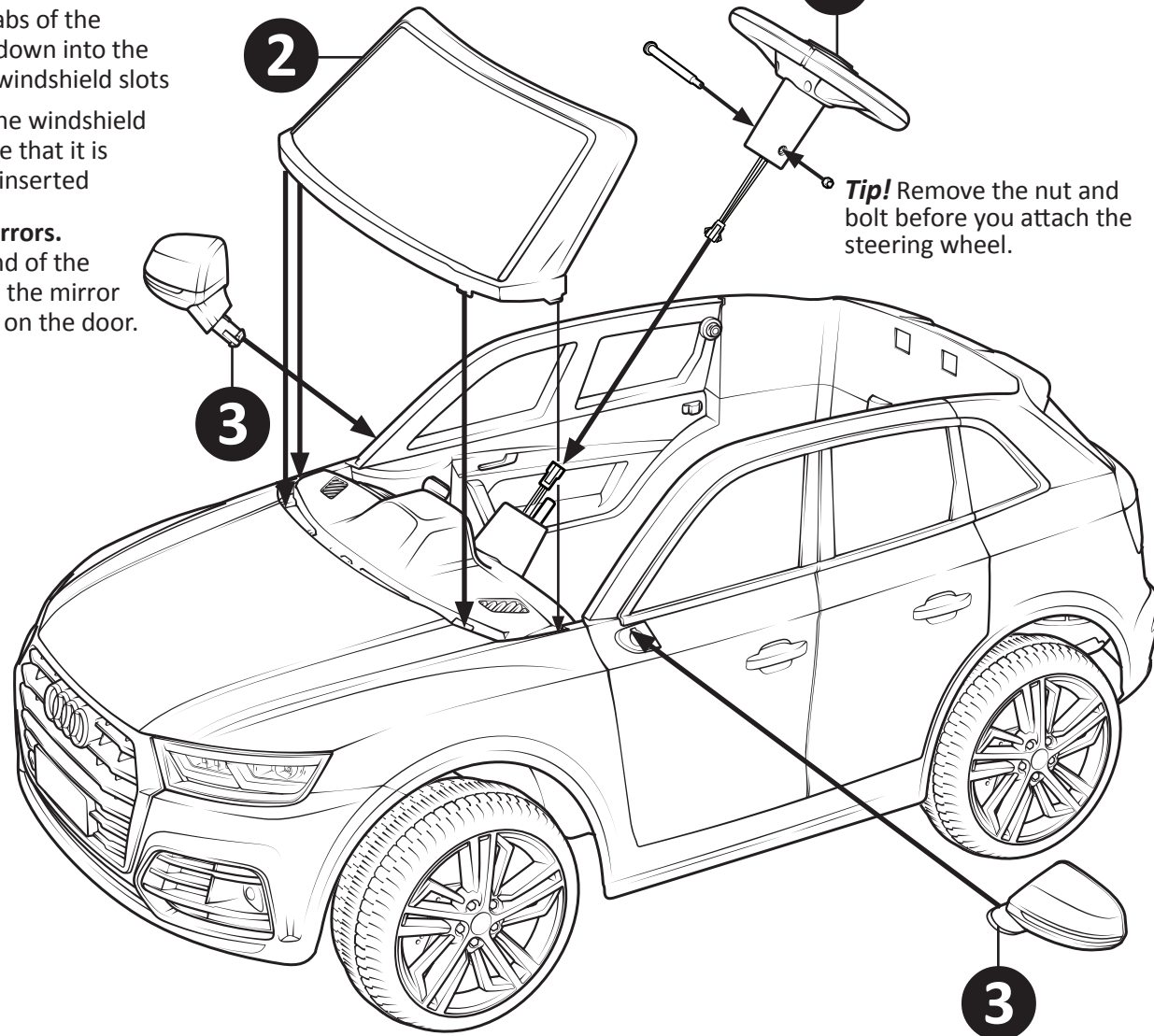


## 2 Attach the windshield.

- Insert the tabs of the windshield down into the tabs of the windshield slots
- Pull up on the windshield to make sure that it is completely inserted

## 3 Attach the mirrors.

- Press the end of the mirrors into the mirror slot located on the door.



# Make the one-time battery connection and attach the seat

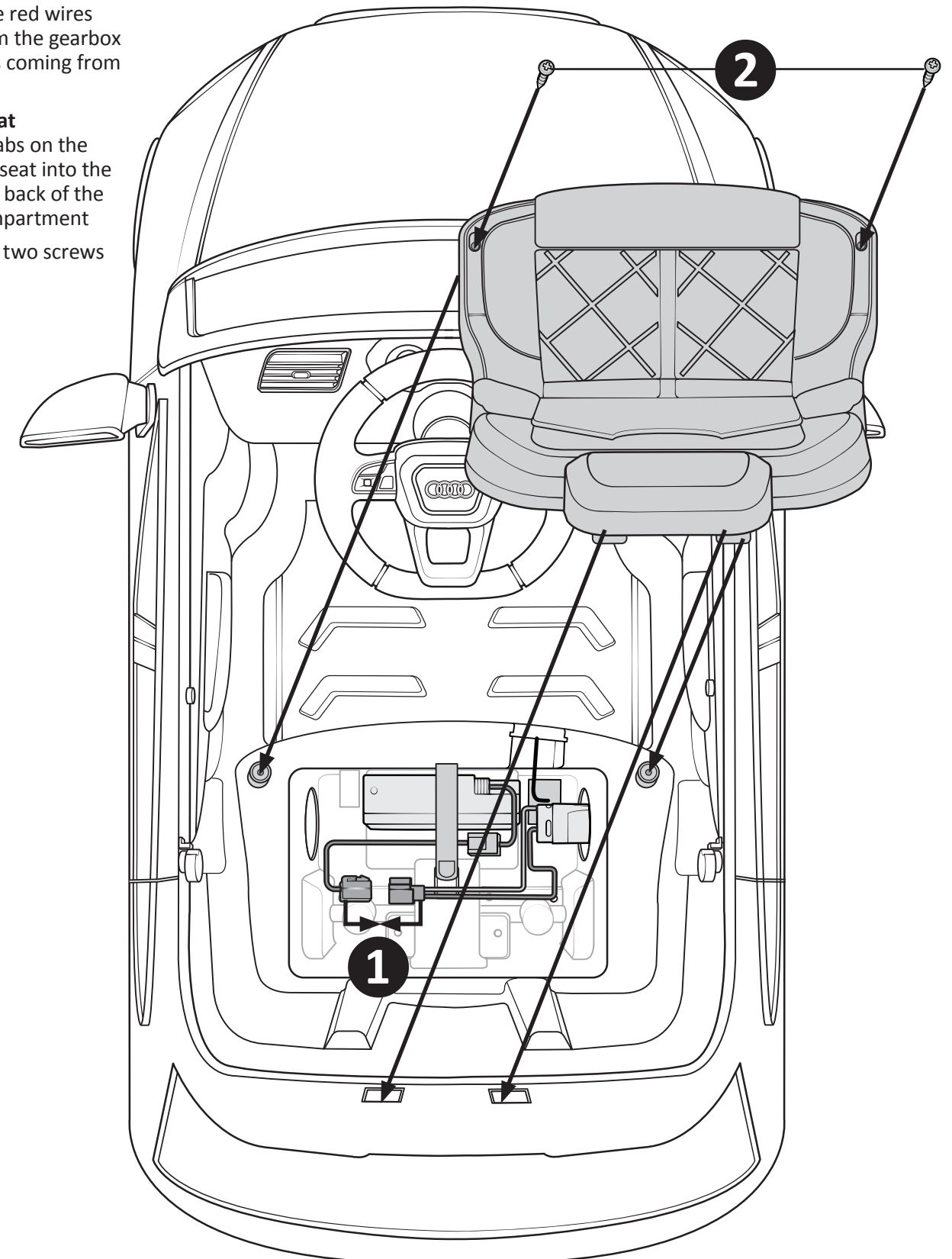
Follow the assembly steps in the order listed below.

## 1 Attach the battery wire connectors

- Connect the red wires coming from the gearbox to the wires coming from the battery

## 2 Attach the seat

- Insert the tabs on the back of the seat into the slots on the back of the battery compartment
- Fasten with two screws



# Use

## ⚠ WARNING

- The battery contains hazardous material that may cause serious injury or death if handled, connected, or charged improperly. Only an adult who has read and understands the warnings and instructions in this manual should handle, connect, or charge the battery. Always contact Pacific Cycle at 1-877-741-6154 if you have any questions or concerns regarding handling, connecting, or charging the battery.
- Charging the battery more than 24 hours could cause the battery to explode or ignite resulting in serious injury, death or property damage. Do not charge the battery for more than 24 hours. Always disconnect the product from the charger after the battery is completely charged. Immediately disconnect the charger from the wall after the charger indicator light turns green.
- A damaged supply cord, connector, or charger could cause burns to the skin, an electrical fire, serious injury, death, or property damage. Always inspect the supply cord, connector, and charger for damage. (e.g., frayed or kinked wires, exposed inner wires, missing insulation) before use. If damaged, do not use the supply cord, connector or charger for any purpose and properly dispose.
- Connecting the battery and battery charger to an extension cord(s) could result in overheating, explosion, fire, serious injury, death, or property damage. Never charge the battery using an extension cord. Always plug the charger directly into a wall outlet.
- See additional battery and charging warnings on p.5.

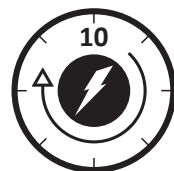
## NOTICE

- The average time to charge the battery is 10 hours. Failure to follow the instructions regarding charging the battery may result in permanent damage to the battery and void the warranty.
- The battery may become damaged if allowed to drain completely. Always keep the battery charged.

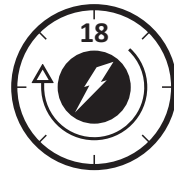
## Charge the Battery

### Charge Times

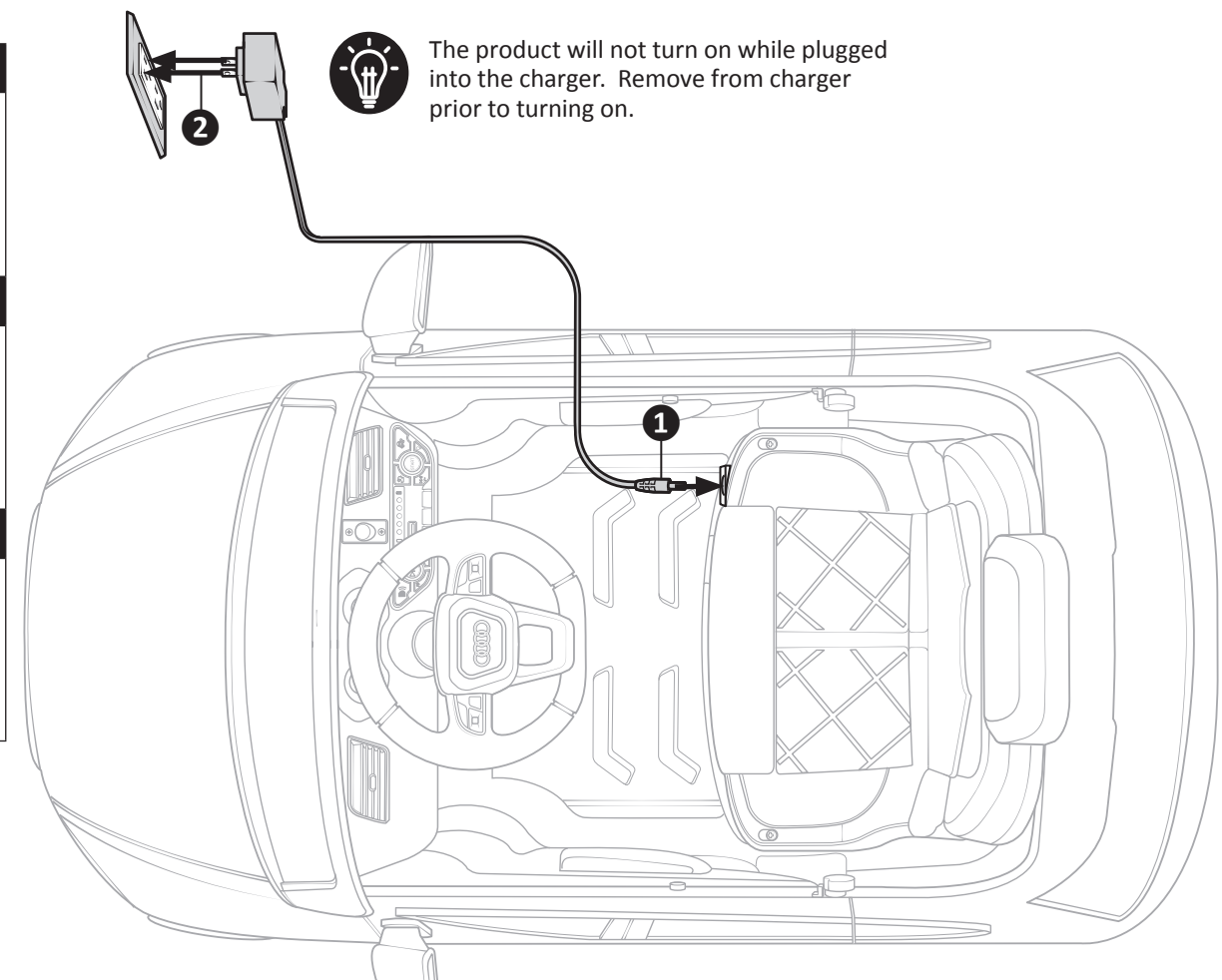
#### First charge



#### Regular charge

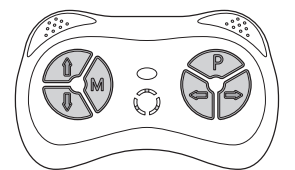
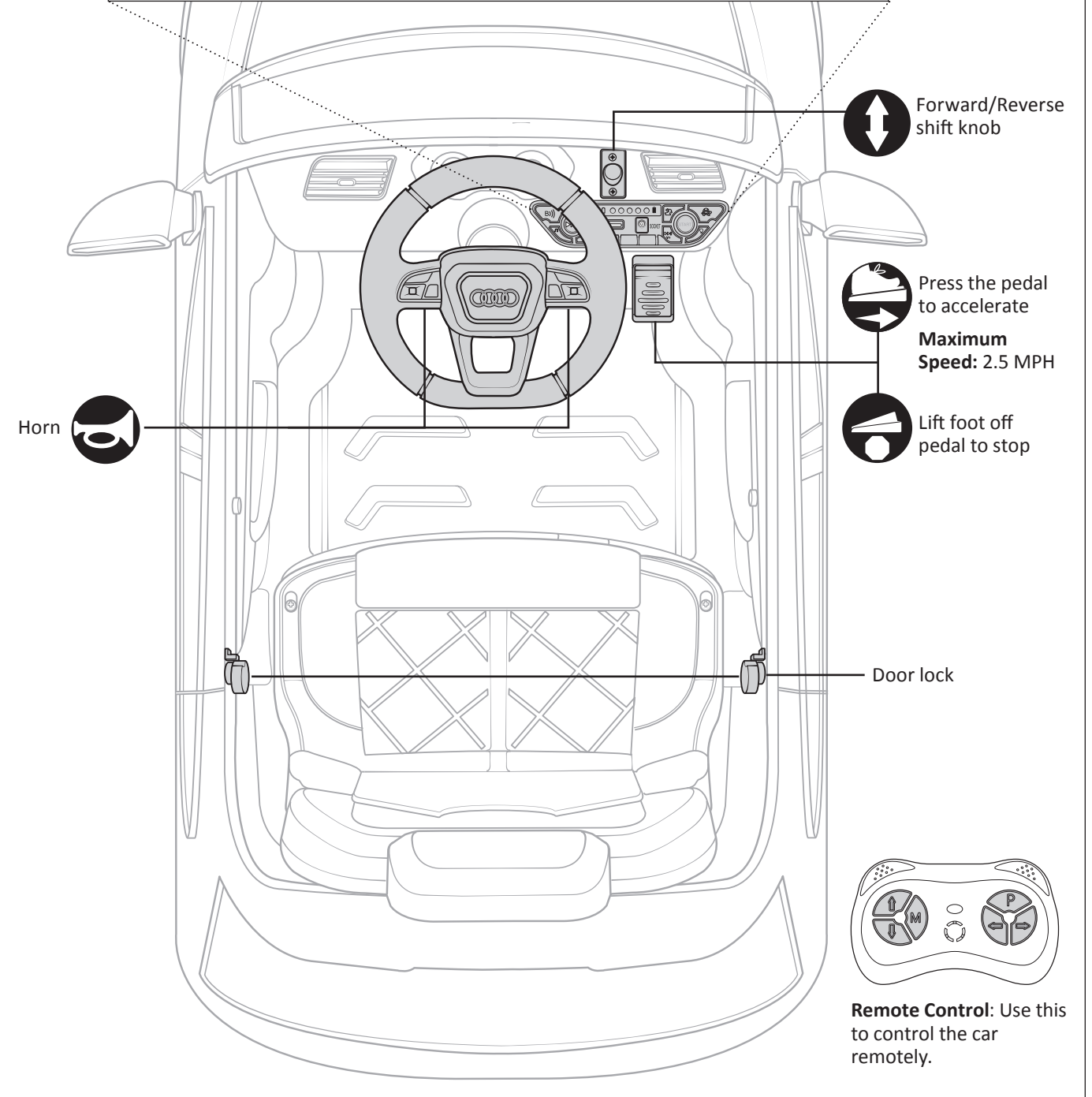
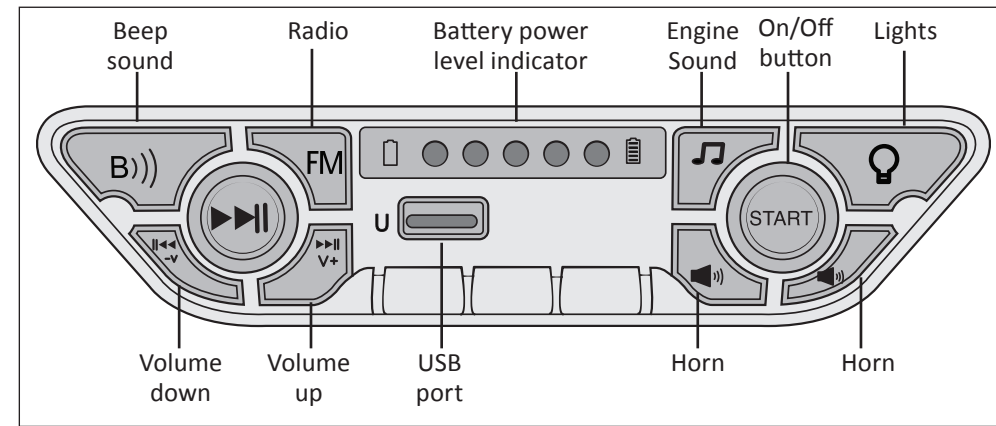


#### No more than



The product will not turn on while plugged into the charger. Remove from charger prior to turning on.

## Controls and Functions

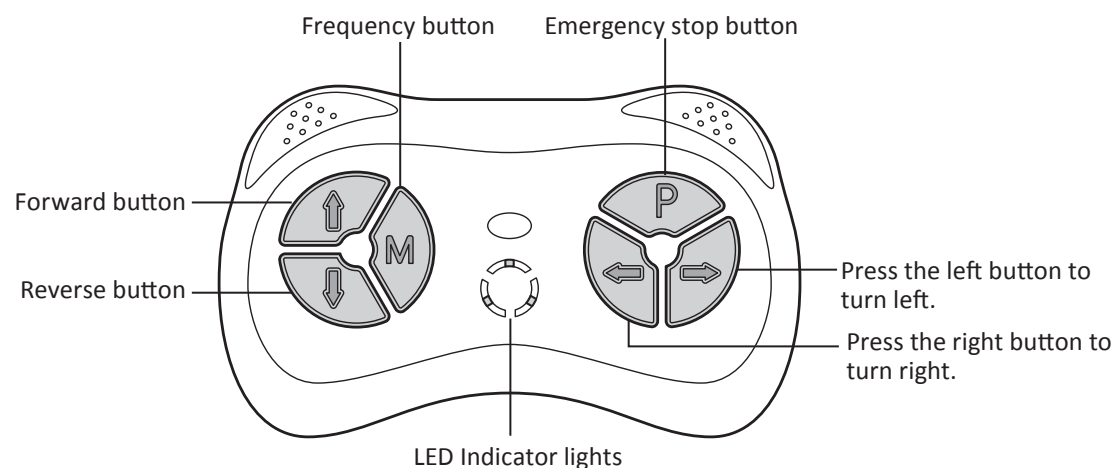


**Remote Control:** Use this to control the car remotely.

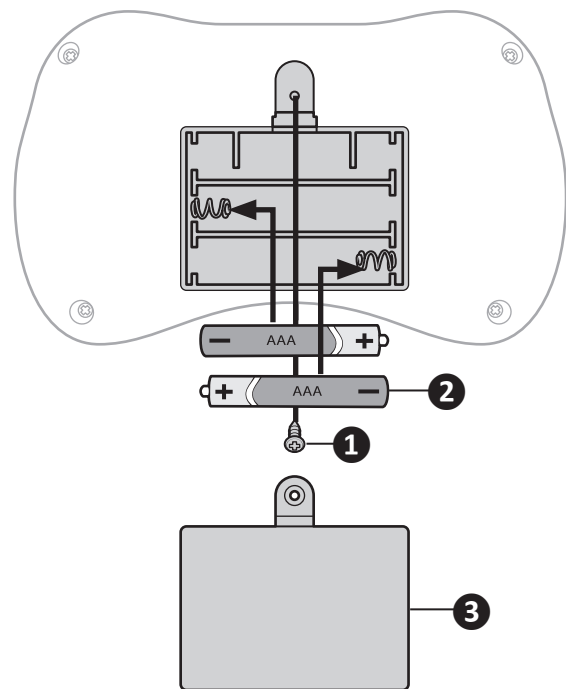
## Remote Control Use and Functions

### ⚠ WARNING

- DO NOT mix old and new batteries.
- DO NOT mix alkaline, standard (carbon-zinc), or rechargeable (nickel-cadmium) batteries.
- Non-rechargeable batteries are not to be recharged. Batteries are to be inserted with the correct polarity. Exhausted batteries are to be removed from the toy. The supply terminals are not to be short-circuited. Rechargeable batteries are only to be charged under adult supervision.
- Rechargeable batteries are to be removed from the toy before being charged.

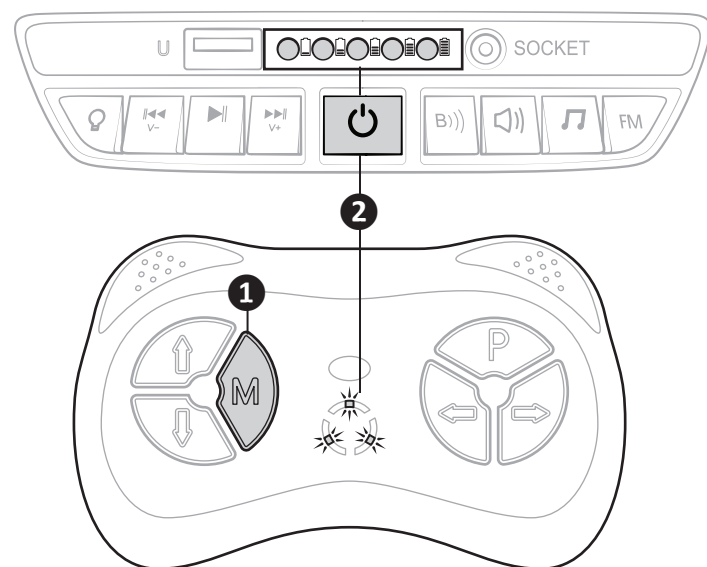


### Insert the batteries



- 1 Remove the small screw from the battery compartment cover.
- 2 Insert two **AAA-size** batteries into the battery compartment as shown.
- 3 Replace the battery compartment cover and fasten with the small screw you removed in step one.

### Pairing the remote control to the ride-on



- 1 Press the frequency button for 2-4 seconds until the LED on the remote control flash.
- 2 Press the power button on the car. The battery indicator lights will flash through a sequence.

**Note:** If the battery indicator lights on the car do not go through a lighting sequence, the remote control is not paired. Repeat steps 1 - 2.

## Maintenance

### Battery Replacement and Disposal

The battery will eventually lose the ability to hold a charge. Depending on the amount of use, and varying conditions, the battery should operate for one to three years. Follow these steps to replace and dispose the battery.

**Important!** Recycle the dead battery responsibly. The battery contains lead acid (electrolyte) and must be disposed of properly and legally. It is illegal in most areas to incinerate lead acid batteries or dispose of them in landfills. Take it to a federal or state-approved lead acid battery recycler, such as an authorized service center or your local automotive battery retailer. Do not throw the battery away with your regular household trash!



This ride-on toy contains a sealed lead acid **NON SPILLABLE BATTERY**. This battery must be recycled.

The ride-on toy should be checked for damage, missing or badly worn parts before each use.

- Check the tightness of the fasteners before each use.
- Check the tightness of the wheels before each use.
- Ensure the battery is securely in place before each use.
- Store the ride-on toy indoors or cover it with a tarp to protect it from the wet weather. Keep it away from sources of heat, such as stoves and heaters.
- Do not leave the vehicle in the sun for long periods of time or fading may occur. Store in shade or cover with tarp.
- Do not wash the vehicle with a hose.
- Do not wash the vehicle with soap and water.
- Clean the vehicle with a soft, dry cloth. To restore shine to plastic parts, use a non-wax furniture polish. Do not use car wax, abrasive cleaners or wash the vehicle with soap and water. Water will damage the motor, electrical system and battery.

## Service

Do not return this product to the place of purchase. If your ride-on toy needs service, repairs or replacement parts, call:

**Pacific Cycle Consumer Relations**

**Hours: 8:00 am – 5:00 pm (CST) Monday - Friday**

**Phone: 877-741-6154**

**Email: [customerservice@kidtraxtoys.com](mailto:customerservice@kidtraxtoys.com)**

For a complete list of replacement parts, please contact Pacific Cycle Consumer Relations. To order parts, please have the model and serial number available, which can be found underneath the seat on the battery cover.

### FCC Statement

Any changes or modifications to this unit not expressly approved by the party responsible for compliance could void the user's authority to operate the equipment.

**NOTE:** This equipment has been tested and found to comply with the limits for a Class B digital device, pursuant to part 15 of the FCC Rules. These limits are designed to provide reasonable protection against harmful interference in a residential installation. This equipment generates, uses and can radiate radio frequency energy and, if not installed and used in accordance with the instructions, may cause harmful interference to radio communications.

However, there is no guarantee that interference will not occur in a particular installation. If this equipment does cause harmful interference to radio or television reception, which can be determined by turning the equipment off and on, the user is encouraged to try to correct the interference by one or more of the following measures:

- Reorient or relocate the receiving antenna.
- Increase the separation between the equipment and receiver.
- Connect the equipment into an outlet on a circuit different from that to which the receiver is connected.
- Consult the dealer or an experienced radio/TV technician for help.

# Warranty

## One Year Limited Warranty | Six-Month Limited Warranty on Battery

Pacific Cycle, Inc. (PC) warrants this product to the original retail purchaser as follows: The ride-on toy (except for the battery) is warranted against defective materials or workmanship for one year from the date of original purchase. The battery is warranted against defective materials or workmanship for six months from the date of original purchase. An original receipt is required to validate your warranty. PC will, at its option, provide replacement parts or replace this product. PC reserves the right to substitute if the part or model has been discontinued. To make a claim under this warranty you must contact us at [www.kidtraxtoys.com](http://www.kidtraxtoys.com); fax us at 1-800-858-2800, 24 hours a day; write to Kid Trax Consumer Relations Department, Kid Trax Toys, P.O. Box 344 Olney, IL 62450 or call 1-877-741-6154 from 8 a.m. to 5 p.m., Monday through Friday, CST. Proof of purchase is required, and shipping charges are the responsibility of the consumer.

## Warranty Limitations

This warranty does not include damages which arise from accident, misuse, abuse, neglect or other causes not arising out of defects in materials or workmanship, nor does it cover damages arising out of service by other than an authorized PC service center. For personal use only. Not for commercial use. The original owner shall pay all labor charges connected with the repair or replacement of all parts. Under no circumstances does this limited warranty include the cost of shipment or transportation to or from an authorized repair center or Kid Trax retailer.

## Limitation of Damages

The warranty and remedies as set forth are exclusive and in lieu of all others, oral or written, expressed or implied. In no event will PC or the dealer selling this product be liable to you for any damages, including incidental or consequential damages, arising out of the use or inability to use this product. Some states do not allow limitations as the exclusion or limitation of incidental or consequential damages, so the above limitations may not apply to you.

## Limitations of Warranties and Warranty Terms

Any warranties, including implied warranties of the merchantability and fitness for a particular purpose, shall be limited to the duration and terms of the express written warranty. This warranty gives you specific legal rights, and you may have other rights, which vary from state to state.

Neither PC nor the dealer selling this product authorized any person to create for it any other warranty, obligation or liability in connection with this product.

### Pacific Cycle Consumer Relations

**Hours:** 8:00 am – 5:00 pm (CST) Monday - Friday

**Phone:** 877-741-6154

**Email:** [customerservice@kidtraxtoys.com](mailto:customerservice@kidtraxtoys.com)



A DIVISION OF DOREL INDUSTRIES  
**PACIFICCYCLE™**

© 2019 Pacific Cycle Inc.  
4902 Hammersley Rd.  
Madison, WI 53711