



REPORT No.: SZ21010412S03

Annex D Plots of RF Emission Test Results

HAC RF_GSM850_GSM Voice_Ch128_E

Communication System: UID 10021 - DAB, GSM-FDD (TDMA, GMSK); Frequency: 824.2 MHz; Duty Cycle: 1:8.3

Medium: Air Medium parameters used: $\sigma = 0$ S/m, $\epsilon_r = 1$; $\rho = 0$ kg/m³

Ambient Temperature : 23.2 °C

DASY5 Configuration:

- Probe: ER3DV6 - SN2434; ConvF(1, 1, 1); Calibrated: 2021.03.04;
- Sensor-Surface: (Fix Surface), Sensor-Surface: 0mm (Fix Surface)
- Electronics: DAE4 Sn480; Calibrated: 2020.06.02
- Phantom: HAC Test Arch with AMCC; Type: SD HAC P01 BA;
- Measurement SW: DASY52, Version 52.8 (8); SEMCAD X Version 14.6.10 (7331)

Ch128/Hearing Aid Compatibility Test (101x101x1): Interpolated grid: dx=0.5000 mm, dy=0.5000 mm

Device Reference Point: 0, 0, -6.3 mm

Reference Value = 13.32 V/m; Power Drift = 0.09 dB

Applied MIF = 3.63 dB

RF audio interference level = 26.67 dBV/m

MIF scaled E-field

Grid 1 M4 30.92 dBV/m	Grid 2 M4 30.36 dBV/m	Grid 3 M4 26.99 dBV/m
Grid 4 M4 26.67 dBV/m	Grid 5 M4 25.85 dBV/m	Grid 6 M4 23.24 dBV/m
Grid 7 M4 25.12 dBV/m	Grid 8 M4 24.9 dBV/m	Grid 9 M4 24.09 dBV/m

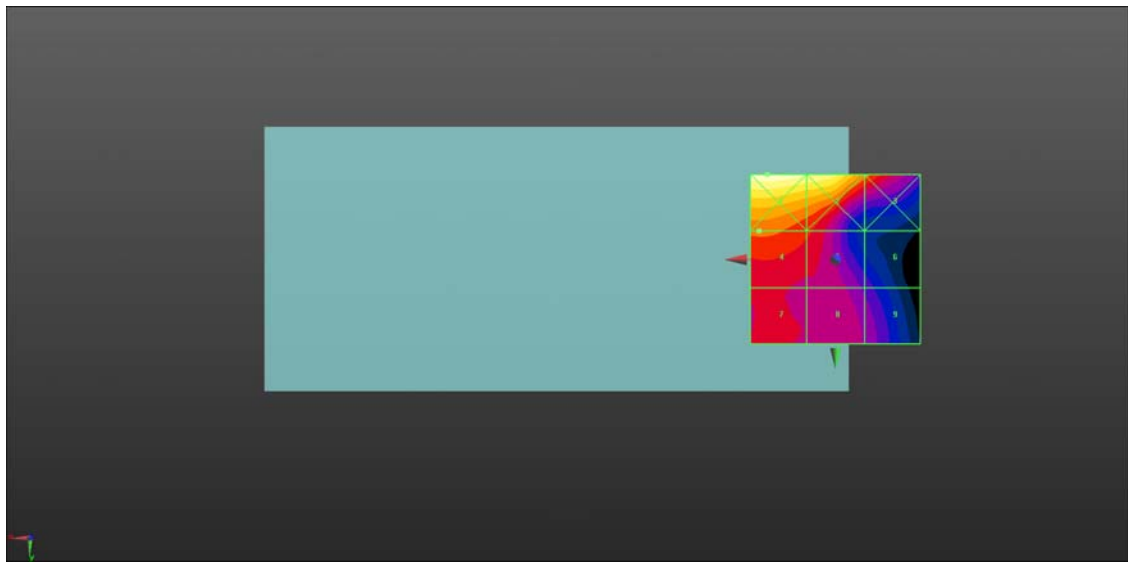
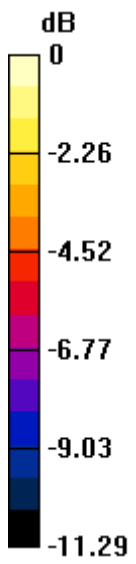
Cursor:

Total = 30.92 dBV/m

E Category: M4

Location: 20, -25, 8.7 mm

Maximum value of Total (interpolated) = 35.16 V/m



0 dB = 35.16 V/m = 30.92 dBV/m

HAC RF_GSM850_GSM Voice_Ch189_E

Communication System: UID 10021 - DAB, GSM-FDD (TDMA, GMSK); Frequency: 836.6 MHz; Duty Cycle: 1:8.3

Medium: Air Medium parameters used: $\sigma = 0$ S/m, $\epsilon_r = 1$; $\rho = 0$ kg/m³

Ambient Temperature : 23.2 °C

DASY5 Configuration:

- Probe: ER3DV6 - SN2434; ConvF(1, 1, 1); Calibrated: 2021.03.04;
- Sensor-Surface: (Fix Surface)
- Electronics: DAE4 Sn480; Calibrated: 2020.06.02
- Phantom: HAC Test Arch with AMCC; Type: SD HAC P01 BA;
- Measurement SW: DASY52, Version 52.8 (8); SEMCAD X Version 14.6.10 (7331)

Ch189/Hearing Aid Compatibility Test (101x101x1): Interpolated grid: dx=0.5000 mm, dy=0.5000 mm

Device Reference Point: 0, 0, -6.3 mm

Reference Value = 13.62 V/m; Power Drift = 0.15 dB

Applied MIF = 3.63 dB

RF audio interference level = 26.97 dBV/m

MIF scaled E-field

Grid 1 M4 31.32 dBV/m	Grid 2 M4 30.87 dBV/m	Grid 3 M4 27.71 dBV/m
Grid 4 M4 26.97 dBV/m	Grid 5 M4 26.21 dBV/m	Grid 6 M4 23.34 dBV/m
Grid 7 M4 25.42 dBV/m	Grid 8 M4 25.65 dBV/m	Grid 9 M4 24.29 dBV/m

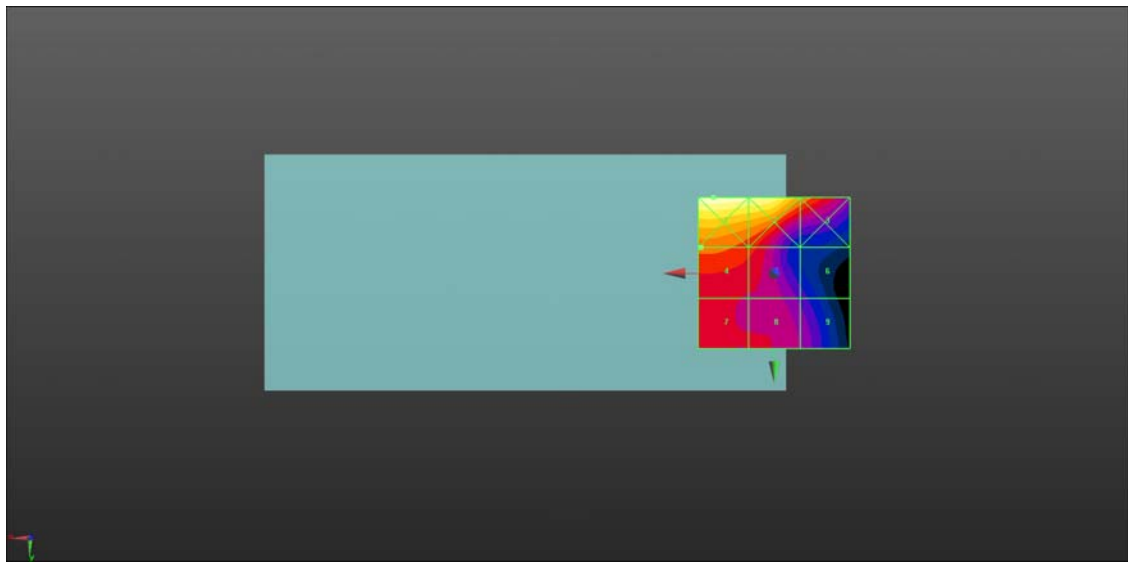
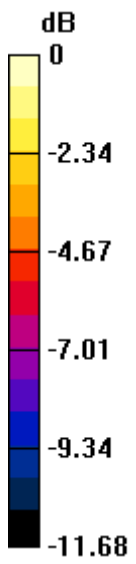
Cursor:

Total = 31.32 dBV/m

E Category: M4

Location: 20, -25, 8.7 mm

Maximum value of Total (interpolated) = 36.80 V/m



0 dB = 36.80 V/m = 31.32 dBV/m

HAC RF_GSM850_GSM Voice_Ch251_E

Communication System: UID 10021 - DAB, GSM-FDD (TDMA, GMSK); Frequency: 848.6 MHz; Duty Cycle: 1:8.3

Medium: Air Medium parameters used: $\sigma = 0$ S/m, $\epsilon_r = 1$; $\rho = 0$ kg/m³

Ambient Temperature : 23.2 °C

DASY5 Configuration:

- Probe: ER3DV6 - SN2434; ConvF(1, 1, 1); Calibrated: 2021.03.04;
- Sensor-Surface: (Fix Surface), Sensor-Surface: 0mm (Fix Surface)
- Electronics: DAE4 Sn480; Calibrated: 2020.06.02
- Phantom: HAC Test Arch with AMCC; Type: SD HAC P01 BA;
- Measurement SW: DASY52, Version 52.8 (8); SEMCAD X Version 14.6.10 (7331)

Ch251/Hearing Aid Compatibility Test (101x101x1): Interpolated grid: dx=0.5000 mm, dy=0.5000 mm

Device Reference Point: 0, 0, -6.3 mm

Reference Value = 14.22 V/m; Power Drift = 0.15 dB

Applied MIF = 3.63 dB

RF audio interference level = 27.21 dBV/m

MIF scaled E-field

Grid 1 M4 31.6 dBV/m	Grid 2 M4 31.25 dBV/m	Grid 3 M4 28.31 dBV/m
Grid 4 M4 27.21 dBV/m	Grid 5 M4 26.48 dBV/m	Grid 6 M4 23.52 dBV/m
Grid 7 M4 25.67 dBV/m	Grid 8 M4 25.4 dBV/m	Grid 9 M4 24.59 dBV/m

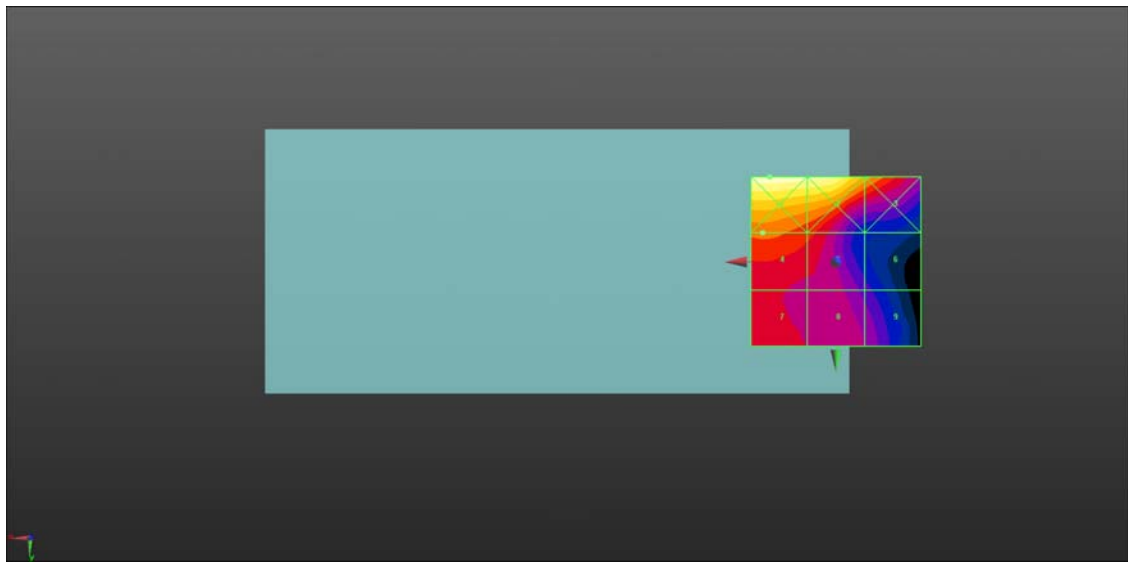
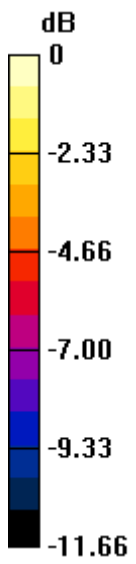
Cursor:

Total = 31.60 dBV/m

E Category: M4

Location: 19.5, -25, 8.7 mm

Maximum value of Total (interpolated) = 38.02 V/m



0 dB = 38.02 V/m = 31.60 dBV/m

HAC RF_GSM850_GSM Voice_Ch512_E

Communication System: UID 10021 - DAB, GSM-FDD (TDMA, GMSK); Frequency: 1850.2 MHz; Duty Cycle: 1:8.3

Medium: Air Medium parameters used: $\sigma = 0$ S/m, $\epsilon_r = 1$; $\rho = 0$ kg/m³

Ambient Temperature : 23.2 °C

DASY5 Configuration:

- Probe: ER3DV6 - SN2434; ConvF(1, 1, 1); Calibrated: 2021.03.04;
- Sensor-Surface: (Fix Surface), Sensor-Surface: 0mm (Fix Surface)
- Electronics: DAE4 Sn480; Calibrated: 2020.06.02
- Phantom: HAC Test Arch with AMCC; Type: SD HAC P01 BA;
- Measurement SW: DASY52, Version 52.8 (8); SEMCAD X Version 14.6.10 (7331)

Ch512/Hearing Aid Compatibility Test (101x101x1): Interpolated grid: dx=0.5000 mm, dy=0.5000 mm

Device Reference Point: 0, 0, -6.3 mm

Reference Value = 25.48 V/m; Power Drift = 0.05 dB

Applied MIF = 3.63 dB

RF audio interference level = 31.60 dBV/m

MIF scaled E-field

Grid 1 M4 28.64 dBV/m	Grid 2 M3 31.23 dBV/m	Grid 3 M3 31.25 dBV/m
Grid 4 M4 27.74 dBV/m	Grid 5 M3 31.6 dBV/m	Grid 6 M3 31.54 dBV/m
Grid 7 M4 28.74 dBV/m	Grid 8 M3 31.84 dBV/m	Grid 9 M3 31.69 dBV/m

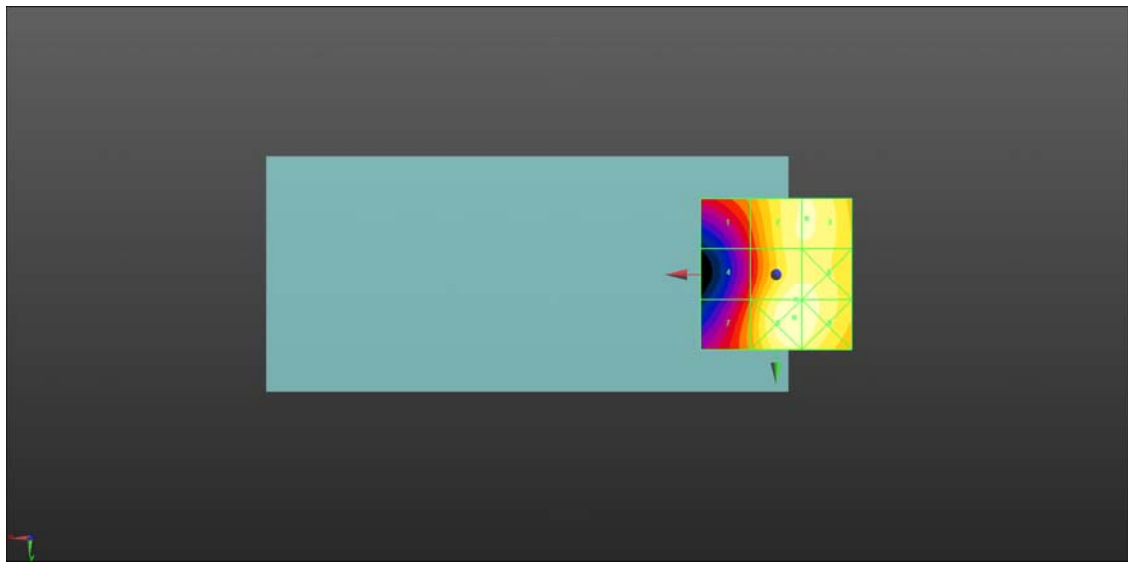
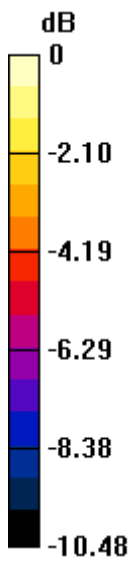
Cursor:

Total = 31.84 dBV/m

E Category: M3

Location: -6, 14.5, 8.7 mm

Maximum value of Total (interpolated) = 39.07 V/m



0 dB = 39.07 V/m = 31.84 dBV/m

HAC RF_GSM850_GSM Voice_Ch661_E

Communication System: UID 10021 - DAB, GSM-FDD (TDMA, GMSK); Frequency: 1880 MHz; Duty Cycle: 1:8.3

Medium: Air Medium parameters used: $\sigma = 0$ S/m, $\epsilon_r = 1$; $\rho = 0$ kg/m³

Ambient Temperature : 23.2 °C

DASY5 Configuration:

- Probe: ER3DV6 - SN2434; ConvF(1, 1, 1); Calibrated: 2021.03.04;
- Sensor-Surface: (Fix Surface), Sensor-Surface: 0mm (Fix Surface)
- Electronics: DAE4 Sn480; Calibrated: 2020.06.02
- Phantom: HAC Test Arch with AMCC; Type: SD HAC P01 BA;
- Measurement SW: DASY52, Version 52.8 (8); SEMCAD X Version 14.6.10 (7331)

Ch661/Hearing Aid Compatibility Test (101x101x1): Interpolated grid: dx=0.5000 mm, dy=0.5000 mm

Device Reference Point: 0, 0, -6.3 mm

Reference Value = 25.38 V/m; Power Drift = -0.01 dB

Applied MIF = 3.63 dB

RF audio interference level = 31.06 dBV/m

MIF scaled E-field

Grid 1 M4 28.32 dBV/m	Grid 2 M3 31.01 dBV/m	Grid 3 M3 31.01 dBV/m
Grid 4 M4 26.99 dBV/m	Grid 5 M3 31.06 dBV/m	Grid 6 M3 31.01 dBV/m
Grid 7 M4 27.8 dBV/m	Grid 8 M3 31.14 dBV/m	Grid 9 M3 31.05 dBV/m

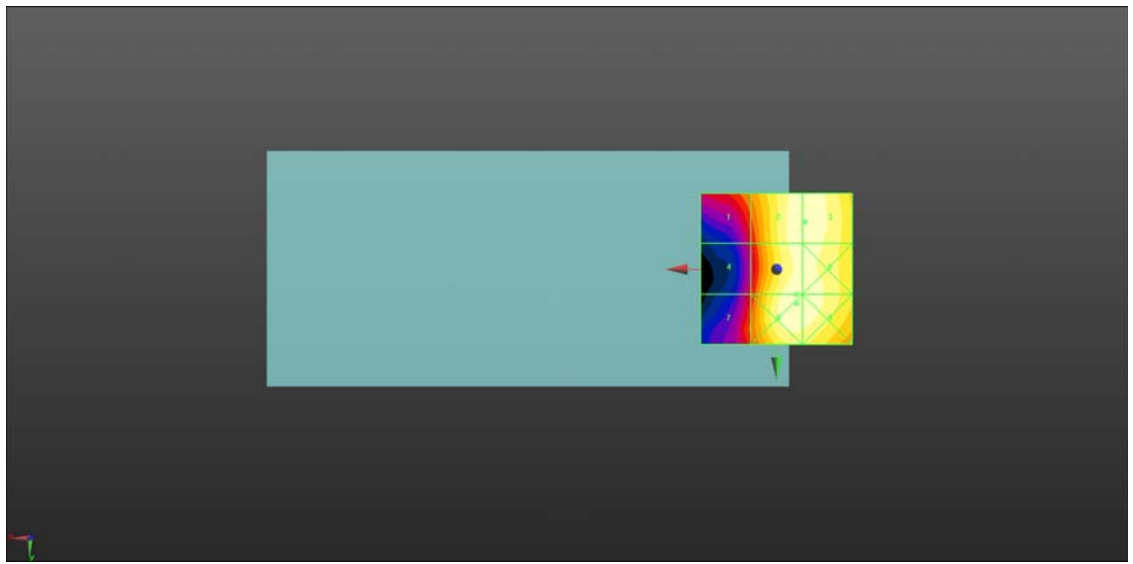
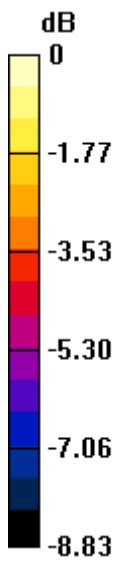
Cursor:

Total = 31.14 dBV/m

E Category: M3

Location: -6.5, 11.5, 8.7 mm

Maximum value of Total (interpolated) = 36.06 V/m



0 dB = 36.06 V/m = 31.14 dBV/m

HAC RF_GSM850_GSM Voice_Ch810_E

Communication System: UID 10021 - DAB, GSM-FDD (TDMA, GMSK); Frequency: 1909.8 MHz; Duty Cycle: 1:8.3

Medium: Air Medium parameters used: $\sigma = 0$ S/m, $\epsilon_r = 1$; $\rho = 0$ kg/m³

Ambient Temperature : 23.2 °C

DASY5 Configuration:

- Probe: ER3DV6 - SN2434; ConvF(1, 1, 1); Calibrated: 2021.03.04;
- Sensor-Surface: (Fix Surface), Sensor-Surface: 0mm (Fix Surface)
- Electronics: DAE4 Sn480; Calibrated: 2020.06.02
- Phantom: HAC Test Arch with AMCC; Type: SD HAC P01 BA;
- Measurement SW: DASY52, Version 52.8 (8); SEMCAD X Version 14.6.10 (7331)

Ch810/Hearing Aid Compatibility Test (101x101x1): Interpolated grid: dx=0.5000 mm, dy=0.5000 mm

Device Reference Point: 0, 0, -6.3 mm

Reference Value = 25.31 V/m; Power Drift = 0.07 dB

Applied MIF = 3.63 dB

RF audio interference level = 30.49 dBV/m

MIF scaled E-field

Grid 1 M4 27.56 dBV/m	Grid 2 M3 30.17 dBV/m	Grid 3 M3 30.17 dBV/m
Grid 4 M4 26.2 dBV/m	Grid 5 M3 30.49 dBV/m	Grid 6 M3 30.45 dBV/m
Grid 7 M4 26.38 dBV/m	Grid 8 M3 30.5 dBV/m	Grid 9 M3 30.44 dBV/m

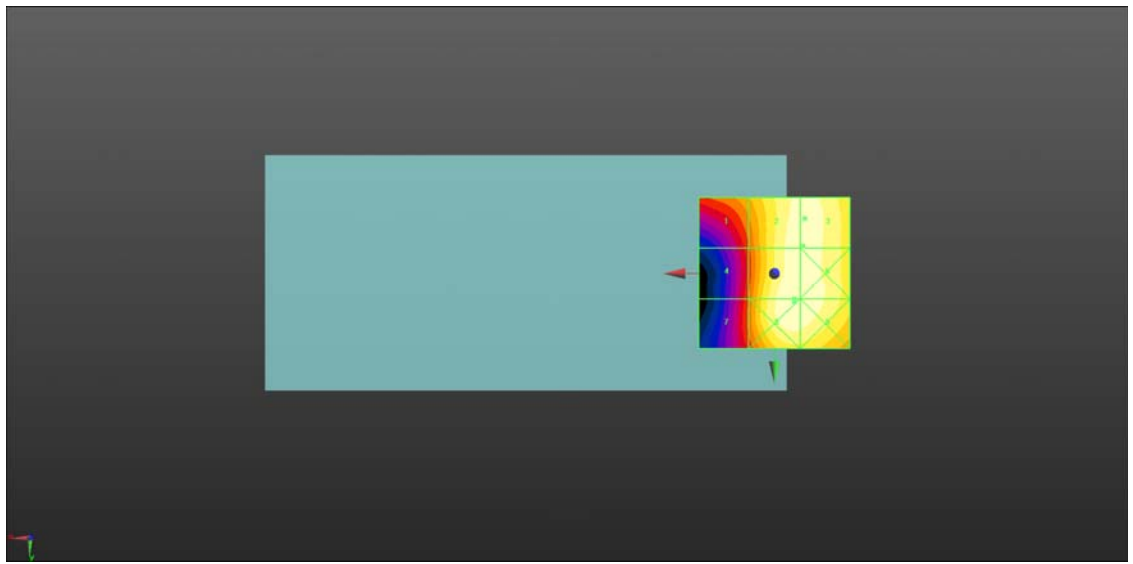
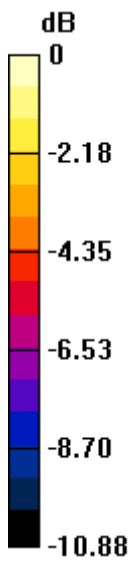
Cursor:

Total = 30.50 dBV/m

E Category: M3

Location: -6.5, 9.5, 8.7 mm

Maximum value of Total (interpolated) = 33.48 V/m



0 dB = 33.48 V/m = 30.50 dBV/m