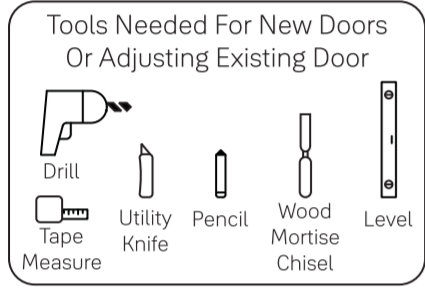




This manual will walk you through all the required steps to add your new Yale Assure Lock to your door.

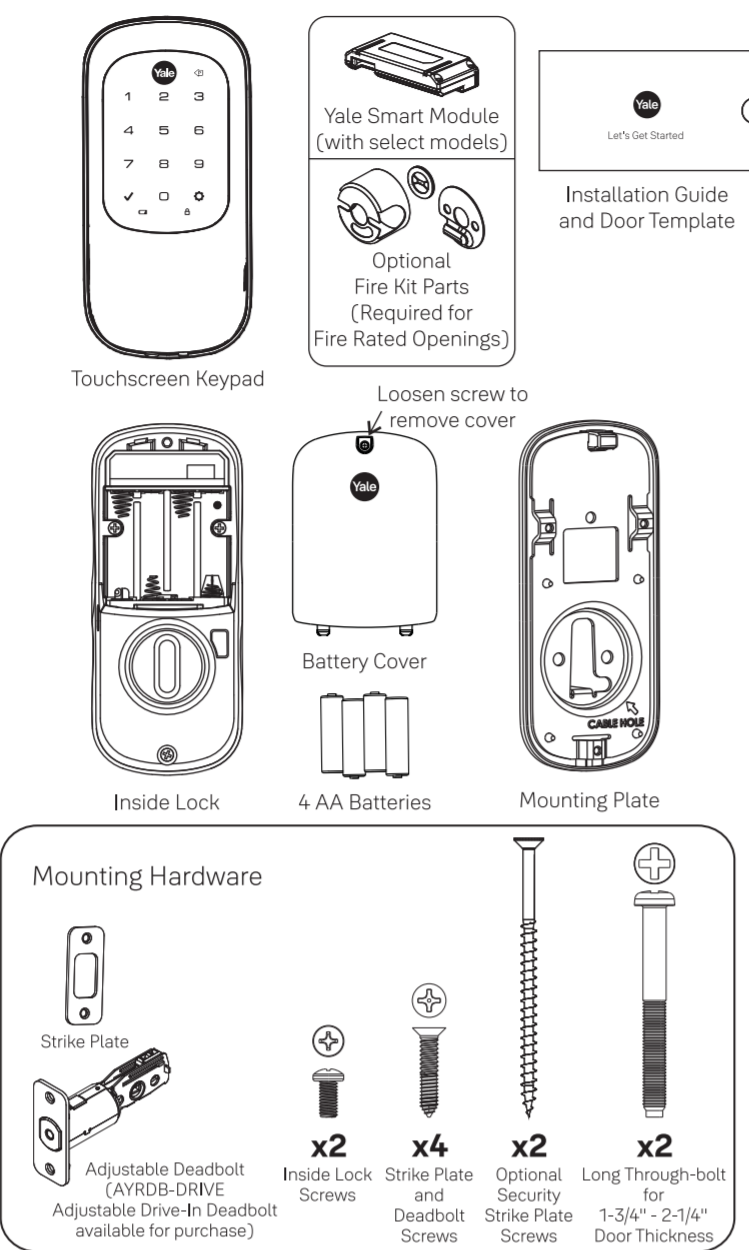
- Remove existing deadbolt
- Double check door measurements
- Install your Assure Lock
- Program your Assure Lock
- Add your Assure Lock to your smart home system or Yale Access app if purchased with Yale Smart Module or Yale Access Upgrade Kit



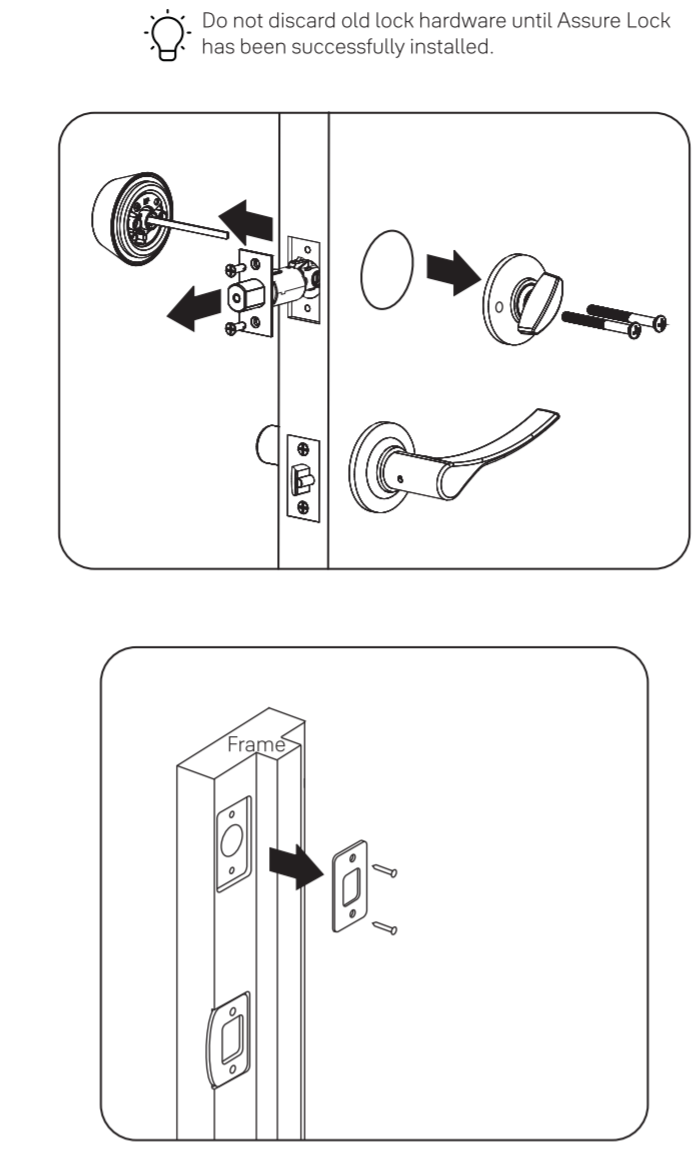
Failure to follow these instructions could result in damage to the product, voiding the factory warranty and could lead to failure of the product to provide access.

ISL-1516-00-004 Ver 2
P/N YRD642-MNL-0036 Rev A Part of ASSA ABL0Y

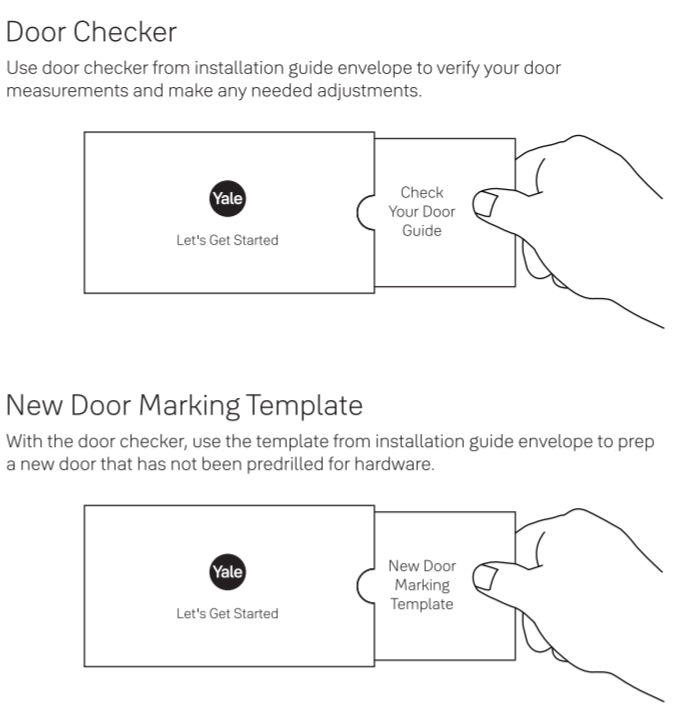
What's In The Box



1 Removing Existing Deadbolt

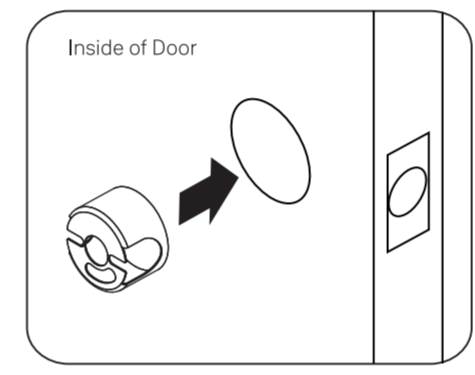


2 Check Door Measurements and Make Adjustments If Needed

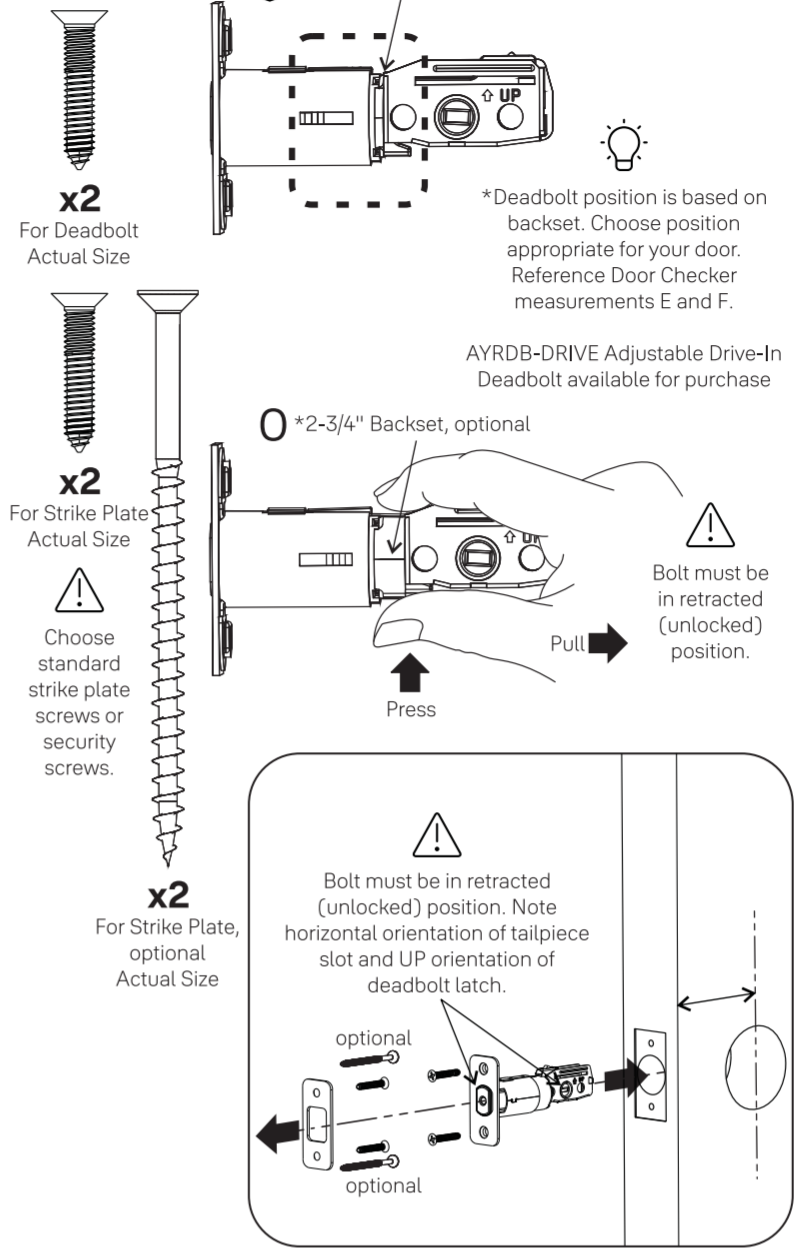


0 Installing Optional Fire Cup for Fire Rated Openings

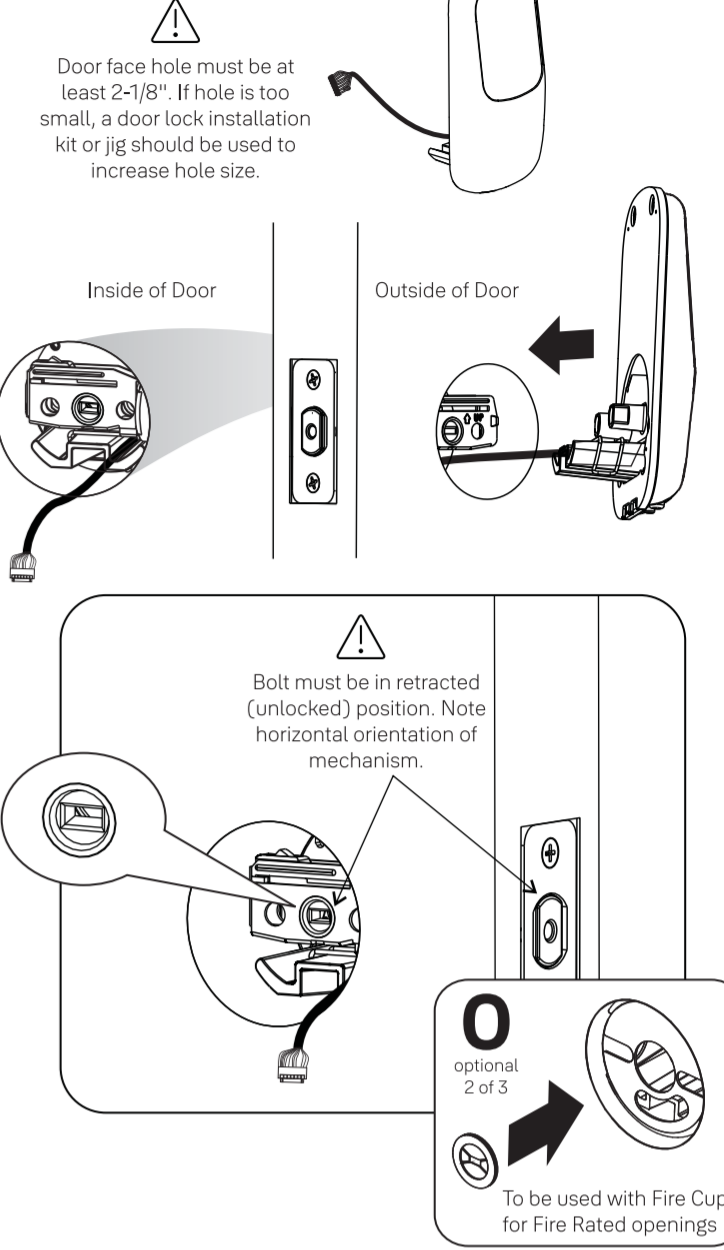
Optional 1 of 3



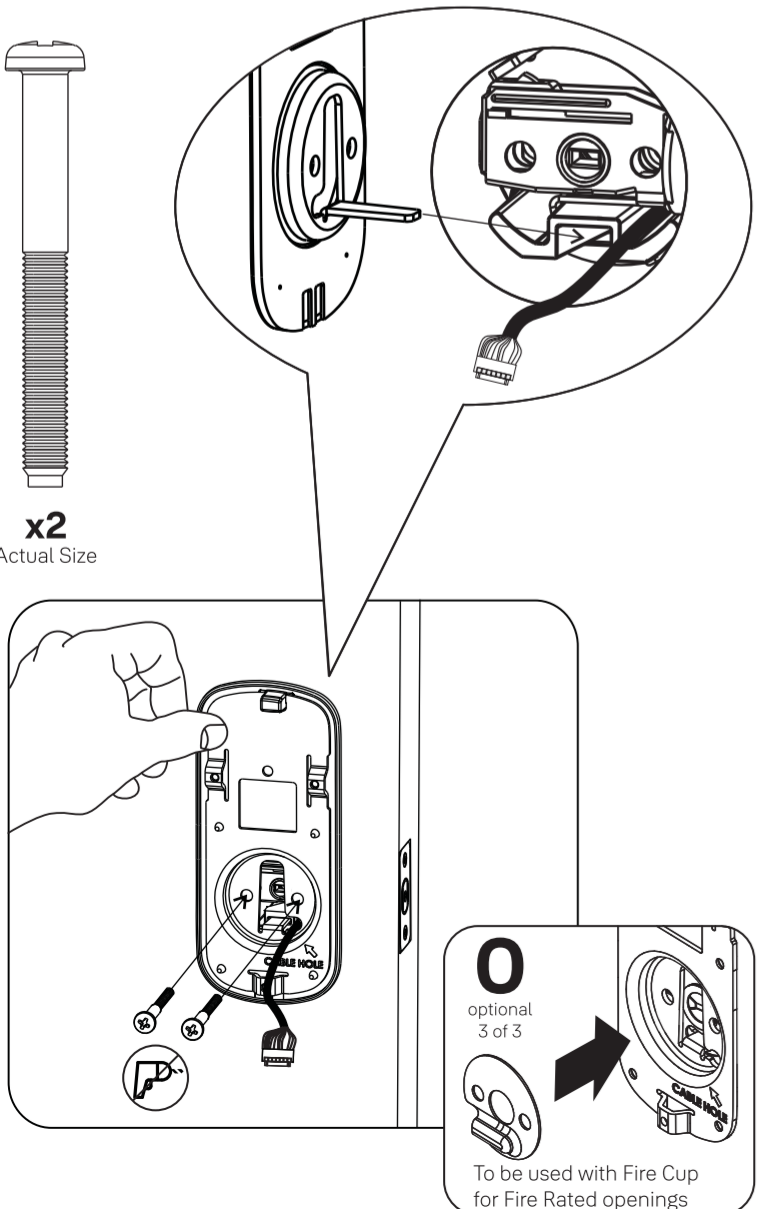
3 Install Deadbolt and Strike Plate



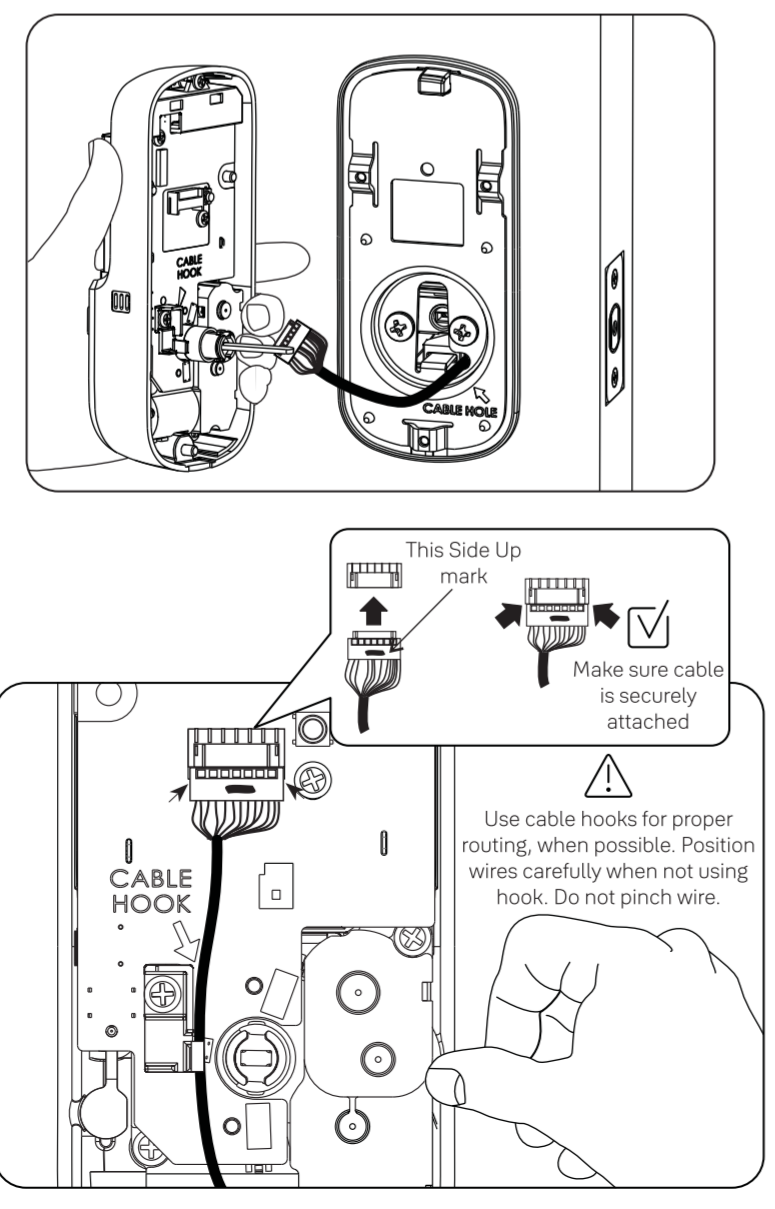
4 Install Touchscreen Keypad



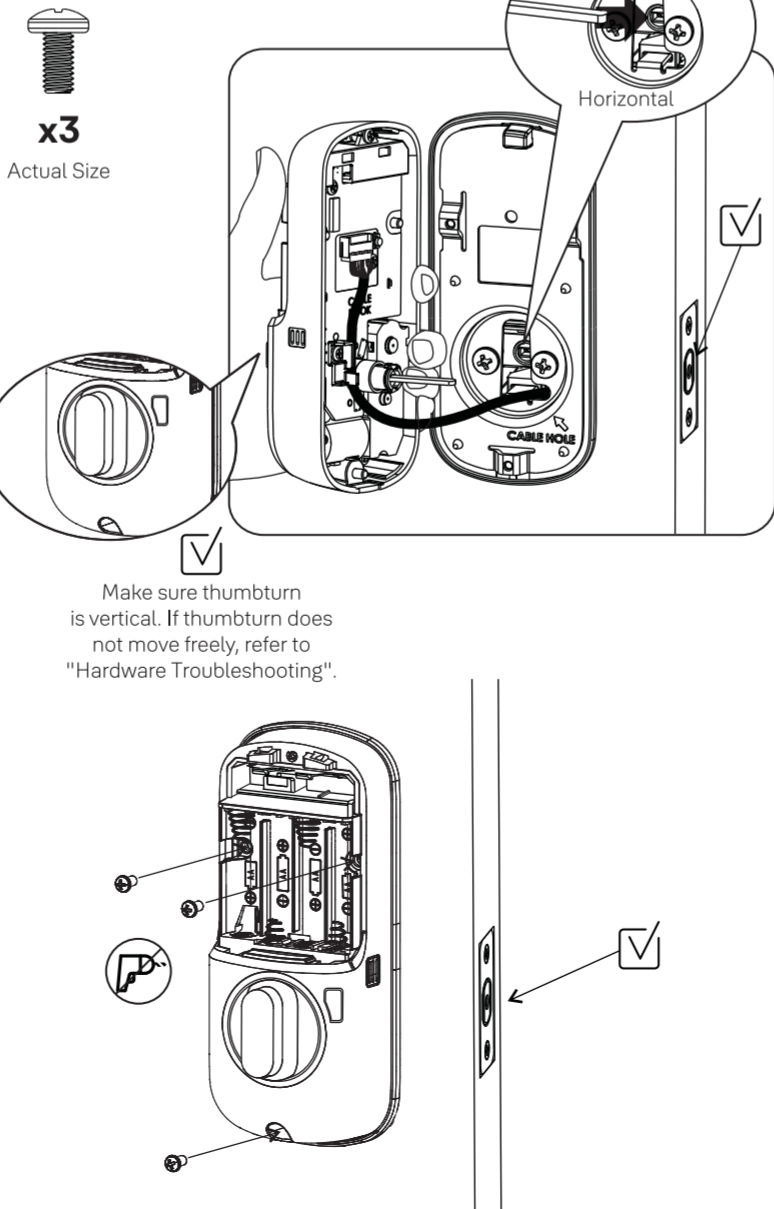
5 Install Inside Mounting Plate



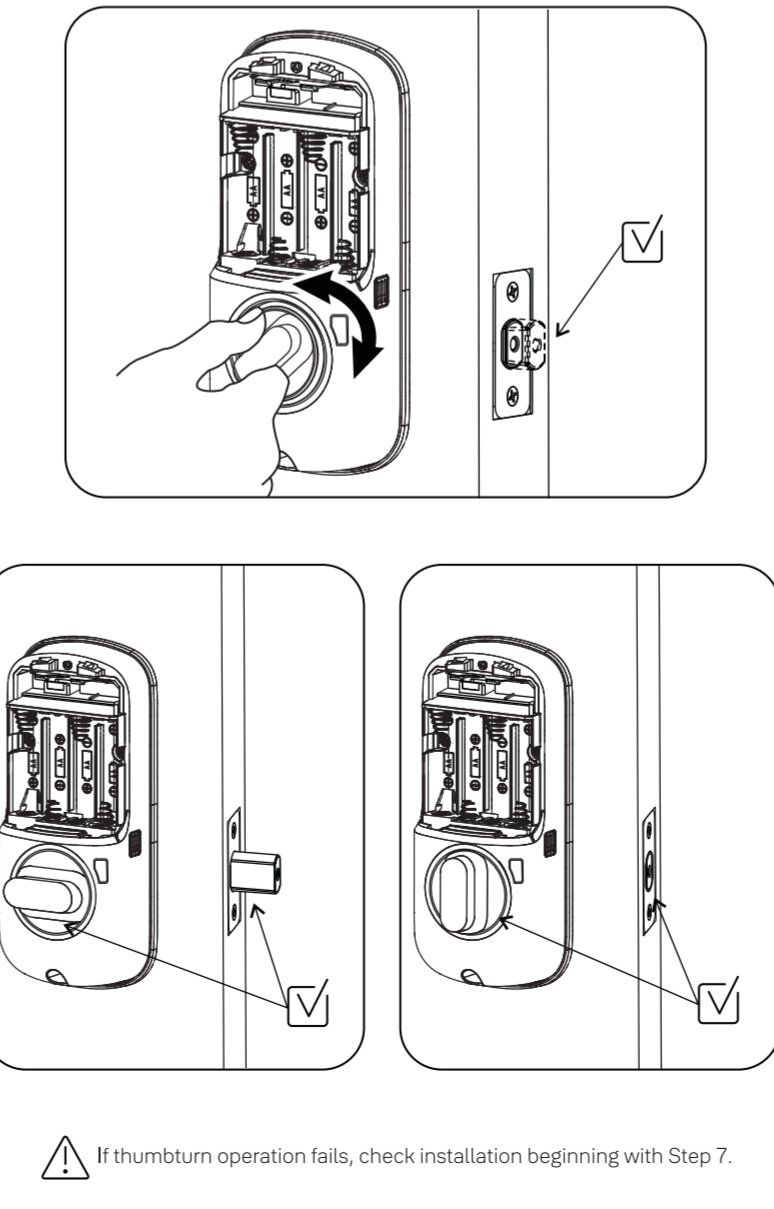
6 Attach Cable



7 Install Inside Lock

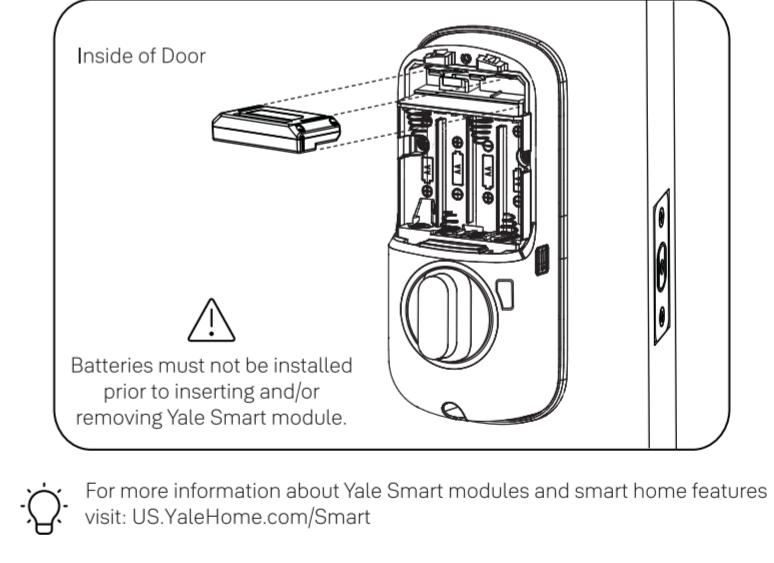


Test Mechanical Operation

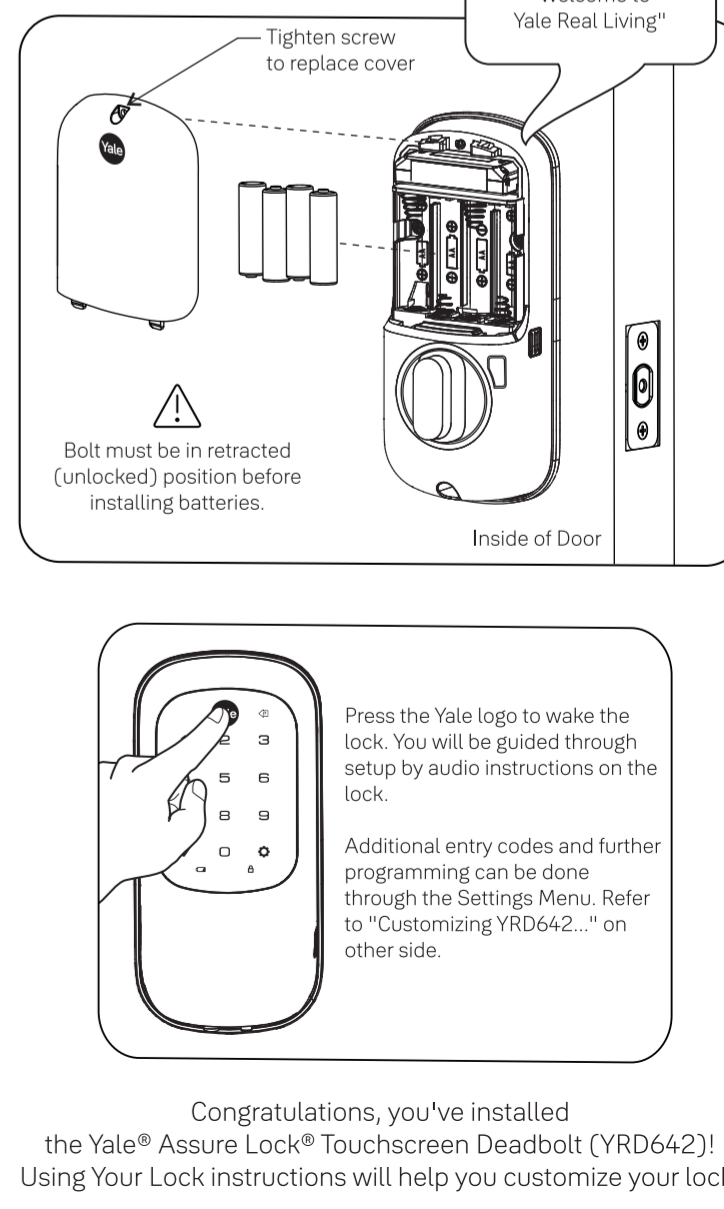


0 Install Yale Smart Module

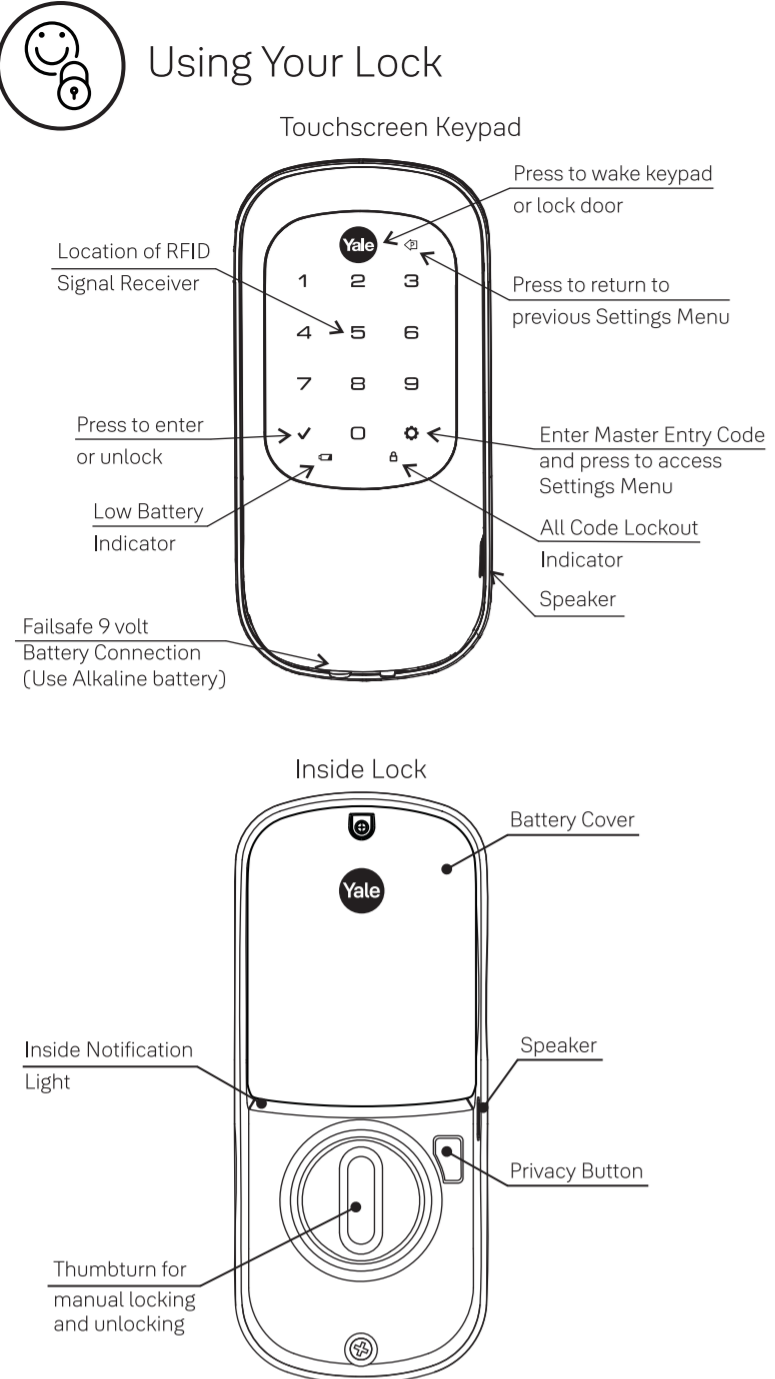
Optional



8 Install Batteries and Cover



Congratulations, you've installed the Yale® Assure Lock® Touchscreen Deadbolt (YRD642)! Using Your Lock instructions will help you customize your lock.



Using Your Lock

Touchscreen Keypad

- Press to wake keypad or lock door
- Press to return to previous Settings Menu
- Press to enter or unlock
- Low Battery Indicator
- Failsafe 9 volt Battery Connection (Use Alkaline battery)
- Enter Master Entry Code and press to access Settings Menu
- All Code Lockout Indicator
- Speaker

Inside Lock

- Battery Cover
- Speaker
- Privacy Button
- Thumbturn for manual locking and unlocking
- Inside Notification Light

Setting Definitions

Settings	Default Setting	Definition
Master Entry Code	Creation required*	The Master Entry Code is used for programming and feature settings. It must be created prior to programming the lock. The Master Entry Code will also operate (unlock/lock) the lock.
All Code Lockout	Disabled	This feature is enabled by the Master Entry Code. When enabled, it restricts all Entry Code access (except Master). When attempting to enter a code while the lock is in All Code Lockout, the RED locked padlock will appear on the screen.
Auto Re-lock	Disabled	After a successful code entry or manual unlock with the key, the lock will automatically re-lock after each unlock in an effort to keep your home secure. This feature is optional, and can be turned off. When enabled, the lock will automatically re-lock after thirty (30) seconds.
Escape Return Mode (YRD642)	Disabled	When enabled, Auto Re-lock is prohibited. Requires door to be physically manipulated for lock to be re-locked once door is open from the inside.
Inside Indicator Light	Disabled (Off)	Located on the inside lock. Shows active status (Locked) of lock and can be enabled or disabled in Advanced Lock Settings (Main Menu selection #3).
Language	English	Choosing English (1), Spanish (2) or French (3) becomes the (default) setting for the lock voice prompts.
One Touch Locking	Enabled	When the latch is retracted, activating the keypad will extend the latch (during Auto Re-lock duration or when Auto Re-lock is disabled). When One-Touch Re-lock is not in use (disabled), any valid Entry Code will re-lock the lock.
Privacy Button	Disabled	Privacy mode is disabled by default. When enabled, activate Privacy mode by pressing the privacy button for 4 seconds to put the lock in do-not-disturb mode (all Entry Codes are disabled).
Shutdown Time	60 Seconds	The lock will shutdown (flashing RED) for sixty (60) seconds and not allow operation after the wrong code entry limit (5 attempts) has been met.
Volume	Enabled (Low)	The volume setting for Entry Code verification is set to Low (2) by default, otherwise it can be set to High (1) or Silent (3) for quiet areas.
Wrong Code Entry Limit	5 Times	After five (5) unsuccessful attempts at entering a valid Entry Code, the lock will shut down and not allow operation for sixty (60) seconds.

Customizing YRD642 ACC ONLY Lock Using Settings Menu

- Press Yale logo to wake up lock.
- Enter Master Entry Code* followed by icon. Lock Response: "Welcome to the Settings Menu. Press each number to hear available settings and then press the settings icon to enter."
- Enter digit corresponding to the function to be performed followed by the icon. Follow the voice commands.

*Master Entry Code must be created prior to any other programming of the lock.
 **If Escape Return Mode is enabled, Auto Re-lock cannot be enabled.
 ***Configuration will disable locking/unlocking via Entry Codes.

Creating Master Entry Code

The Master Entry Code is used to change the lock settings. A security best practice is to set your Master Entry Code with 6 or more digits and create a separate code that is used daily to lock and unlock the door.

Creating Entry Codes

Master Entry Code must be created first.
 *Max Entry Codes = 250 with Smart Module; 25 without.

Adding more *Entry Codes: To end programming:

Deleting Entry Codes

Deleting one Entry Code: To delete one Entry Code, you must enter the Entry Code you wish to delete.

To delete all Entry Codes (Does not delete Master Entry Code):

Unlocking Door with Entry Codes

Unlocking Door with RFID (YRD642 ACC ONLY)

See "Customizing YRD642 ONLY Lock Using Settings Menu" to configure RFID communication.

Troubleshooting

Symptom	Suggested Action
Lock does not respond – door is open and accessible.	<ul style="list-style-type: none"> Keypad becomes active when Yale logo is pressed. Verify contact with the logo. If keypad numbers are visible, check they respond when pressed. Check batteries are installed and oriented correctly (polarity) in battery case. Replace batteries* if batteries are dead. Check keypad cable is fully connected and not pinched.
Lock does not respond – door is locked and inaccessible.	<ul style="list-style-type: none"> Batteries may not have enough power. Replace batteries*. Apply a 9V battery to terminals below the keypad for backup power option.
Lock is on for a while then shows no reaction. Lights dim.	<ul style="list-style-type: none"> Batteries do not have enough power. Replace batteries*.
Lock chimes indicating code acceptance, but door will not open.	<ul style="list-style-type: none"> Check for any foreign objects between door and frame. Check that cable is firmly connected to inside lock.
Lock operates to allow access, but will not automatically re-lock.	<ul style="list-style-type: none"> Check to see if Auto Re-lock is enabled. Disable Auto Re-lock to lock the door (manually).
Entry Codes will not register.	<ul style="list-style-type: none"> If low battery indicator is lit, change batteries*. Entry Codes must consist of 4 to 8 digits. The same Entry Code cannot be used for multiple users. Entry Codes are set by the Master Entry Code, which is set first. Contact the Master user. Entry Codes must be entered within 5 seconds (while keypad is active) or process will have to be restarted. Check or cannot be part of the Entry Code.
Upon entering Entry Code and pressing key, lock displays "invalid code" error or lock times out without responding.	<ul style="list-style-type: none"> Verify entered code is a valid, previously programmed, 4 to 8 digit code. All Code Lockout is enabled. Only the Master Entry Code can change All Code Lockout. Contact the Master user.
Upon entering Entry Code and pressing the key, padlock icon appears and there are different tones.	<ul style="list-style-type: none"> Check to see if the lock is set to All Code Lockout. Setting/managing All Code Lockout is done through Master Entry Code only.
Lock operates, but makes no sound.	<ul style="list-style-type: none"> Check to see if Volume is set to Silent (see Feature #4).
Lock responds "Low Battery"	<ul style="list-style-type: none"> This is the alert to replace the batteries. Replace all four (4) batteries* with new AA Alkaline batteries.
Upon entering EntryCode and pressing the key, lock responds "Wrong number of digits".	<ul style="list-style-type: none"> The digits entered were incorrect or incomplete. Re-enter the correct code followed by the key.
Lock shows an X on keypad after entering a code.	<ul style="list-style-type: none"> Bolt failed to fully retract. Refer to "Hardware Troubleshooting". Entry Code has not been scheduled for use at time of day it is tried. Try Entry Code again during scheduled time. Lock was not handed properly. Rehand lock through Settings Menu.
Deadbolt does not extend when locking the door with keypad.	<ul style="list-style-type: none"> To adjust Knob/Lever/Handset strike plate:

Hardware Troubleshooting

Helpful Tip: Ensuring smooth deadbolt operation can enhance your battery life.

- Remove plate from door frame with a manual screwdriver. (Using an electric driver may strip screw heads or enlarge screw holes.)
- Locate strike plate tab. Bend the tab towards surface of strike. Note: A small change may be all that is required.
- Reinstall strike plate using a manual screw driver and test again.
- If door cannot be adjusted sufficiently with strike tab, both knob/lever/handleset latch and deadbolt latch could require adjustment – we suggest you contact a local locksmith for assistance.

For help with misalignments, watch our door alignment video: [US.YaleHome.com/en/support/yale-assure-lock-faqs/electronic-lock-installation/](https://www.yale.com/en/support/yale-assure-lock-faqs/electronic-lock-installation/)

Resetting Lock to Factory Default

When lock is reset to factory defaults all Entry Codes (including Master Entry Code*) are deleted and all programming features are reset to original default settings (see below).

- Remove battery cover and batteries.
- Remove inside lock to access reset button.
- Reset button (see image at right) is located beside cable adapter.
- While pressing reset button (minimum of 3 seconds) reinstall batteries. Release reset button.
- Replace battery cover.

Upon reset, Master Entry Code creation is the only option available and must be performed prior to any other programming of the lock.

FCC and IC RF Radiation Exposure Statement: This equipment complies with FCC RF Radiation exposure limits set forth for an uncontrolled environment. This device and its antenna must not be co-located or operating in conjunction with any other antenna or transmitter. This equipment should be installed and operated with a minimum distance of 20 cm between the radiator and your body.

FCC:
 FCC ID : 2ABFG-YRD642BLEV1
 Class B Equipment
 This equipment has been tested and found to comply with the limits for a Class B digital device, pursuant to Part 15 of the FCC Rules. These limits are designed to provide reasonable protection against harmful interference in a residential installation. This equipment generates, uses, and can radiate radio frequency energy and, if not installed and used in accordance with the instructions, may cause harmful interference to radio communications. However, there is no guarantee that interference will not occur in a particular installation. If this equipment does cause harmful Interference to radio or television reception, which can be determined by turning the equipment off and on, the user is encouraged to try to correct the interference by one or more of the following measures:
 • Reorient or relocate the receiving antenna.
 • Increase the separation between the equipment and receiver.
 • Connect the equipment into an outlet on a circuit different from that to which the receiver is connected.
 • Consult the dealer or an experienced radio/TV technician for help.

Warning: Changes or modifications to this device, not expressly approved by **Yale Home** could void the user's authority to operate the equipment.

Industry Canada:
 IC ID : 11626A-YRD642BLEV1
 This Class B digital apparatus meets all requirements of the Canadian Interference Causing Equipment Regulations.
 Cet appareil numérique de la classe B répond à toutes les exigences de l'Interférence canadienne causant des règlements d'équipement.

FCC/IC RF Radiation Exposure Statement:
 This device complies with part 15 of the FCC Rules. Operation is subject to the following two conditions: (1) This device may not cause harmful interference, and (2) this device must accept any interference received, including interference that may cause undesired operation.

FCC/IC RF Radiation Exposure Statement:
 This equipment complies with FCC RF Radiation exposure limits set forth for an uncontrolled environment. This device and its antenna must not be co-located or operating in conjunction with any other antenna or transmitter. This equipment should be installed and operated with a minimum distance of 20 cm between the radiator and your body.

RF du FCC et IC d'exposition aux radiations:
 Cet équipement est conforme à l'exposition de FCC et IC rayonnements RF limites établies pour un environnement non contrôlé. L'antenne pour ce transmetteur ne doit pas être même endroit avec d'autres émetteur sauf conformément à la IC procédures de produits Multi-émetteur.
 Cet équipement doit être installé et utilisé avec une distance minimale de 20 cm entre le radiateur et votre corps.

Manufacturer: iRevo-ASSA ABL0Y Korea | **Model:** YRD642-ACC | DC 6V, Max 2A

Yale Home
 24/7 Product Support : 1-855-213-5841 • US.YaleHome.com

Yale® and Assure Lock® are registered trademarks of Yale Home. Yale Accentra™ is a trademark of Yale Home. Other products' brand names may be trademarks or registered trademarks of their respective owners and are mentioned for reference purposes only. © Copyright 2021. All rights reserved. Reproduction in whole or in part without the express written permission of Yale Home is prohibited.