



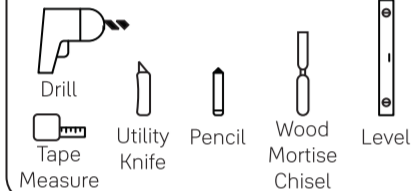
This manual will walk you through all the required steps to add your new Yale Assure Lock to your door.

- Remove existing deadbolt
- Double check door measurements
- Install your Assure Lock
- Program your Assure Lock
- Add your Assure Lock to your smart home system or Yale Access app if purchased with Yale Smart Module or Yale Access Upgrade Kit

Tools Needed



Tools Needed For New Doors Or Adjusting Existing Door



Before you begin

DOWNLOAD THE BILT APP

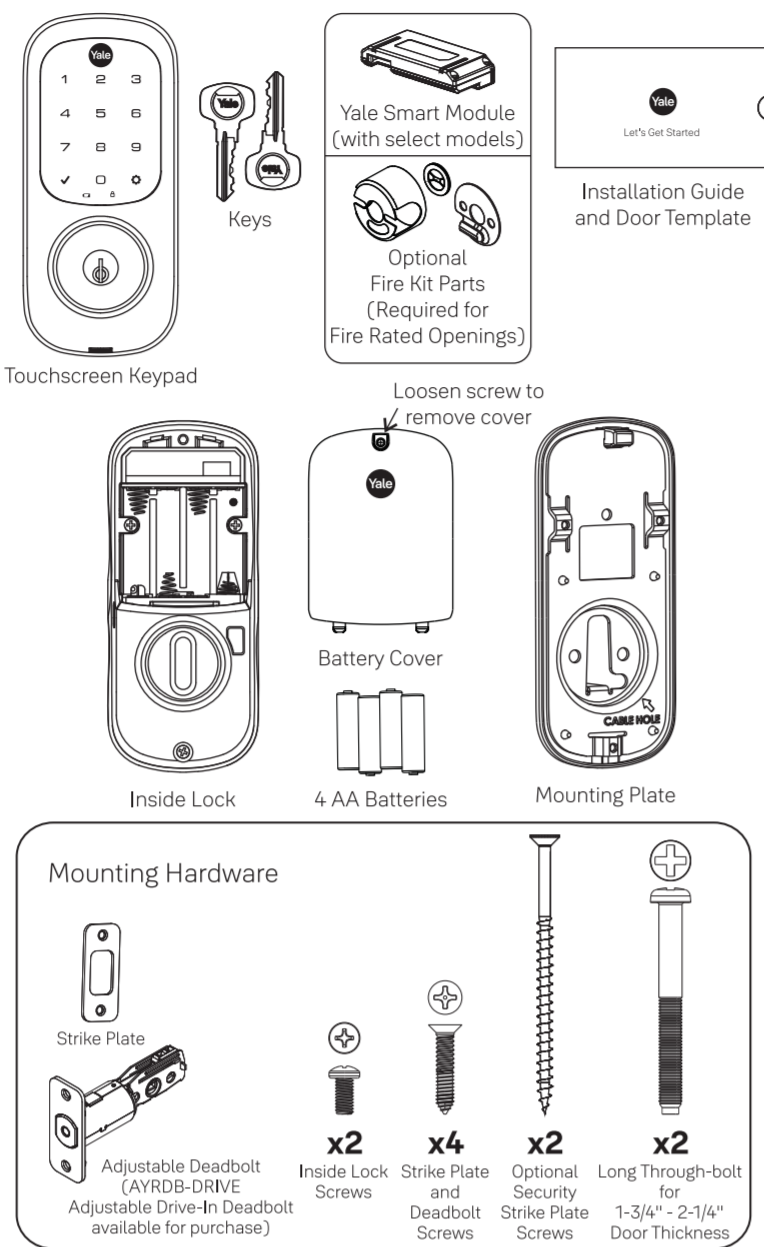
BILT.

Using the app on your smart phone, scan this QR for step-by-step installation instructions & to register your lock

Failure to follow these instructions could result in damage to the product, voiding the factory warranty and could lead to failure of the product to provide access.

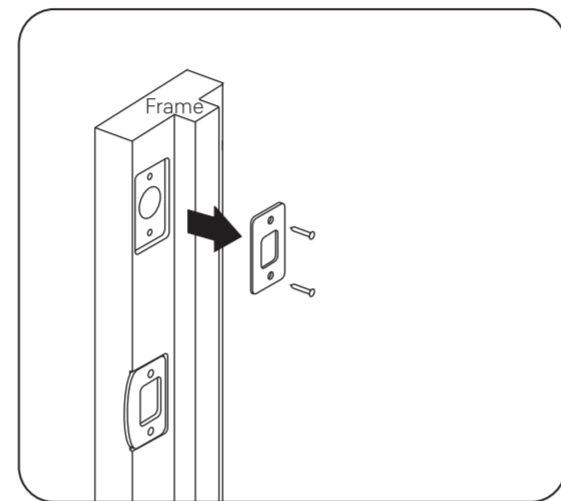
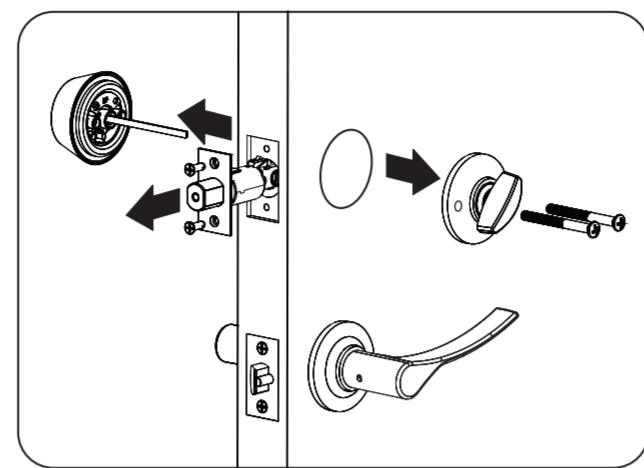
Trusted every day P/N YRD226-MNL-0001 Rev J Part of ASSA ABL0Y

What's In The Box



1 Removing Existing Deadbolt

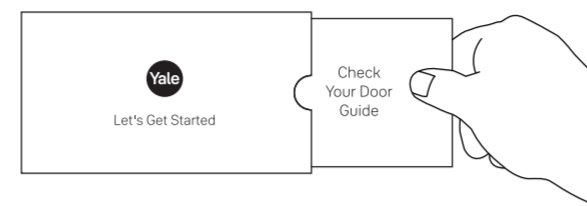
Do not discard old lock hardware until Assure Lock has been successfully installed.



2 Check Door Measurements and Make Adjustments If Needed

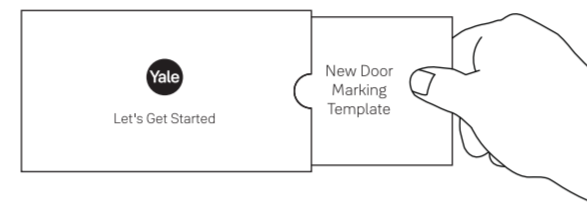
Door Checker

Use door checker from installation guide envelope to verify your door measurements and make any needed adjustments.



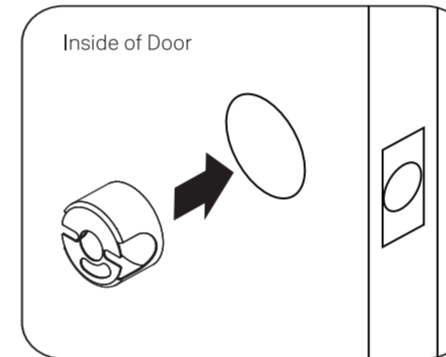
New Door Marking Template

With the door checker, use the template from installation guide envelope to prep a new door that has not been predrilled for hardware.

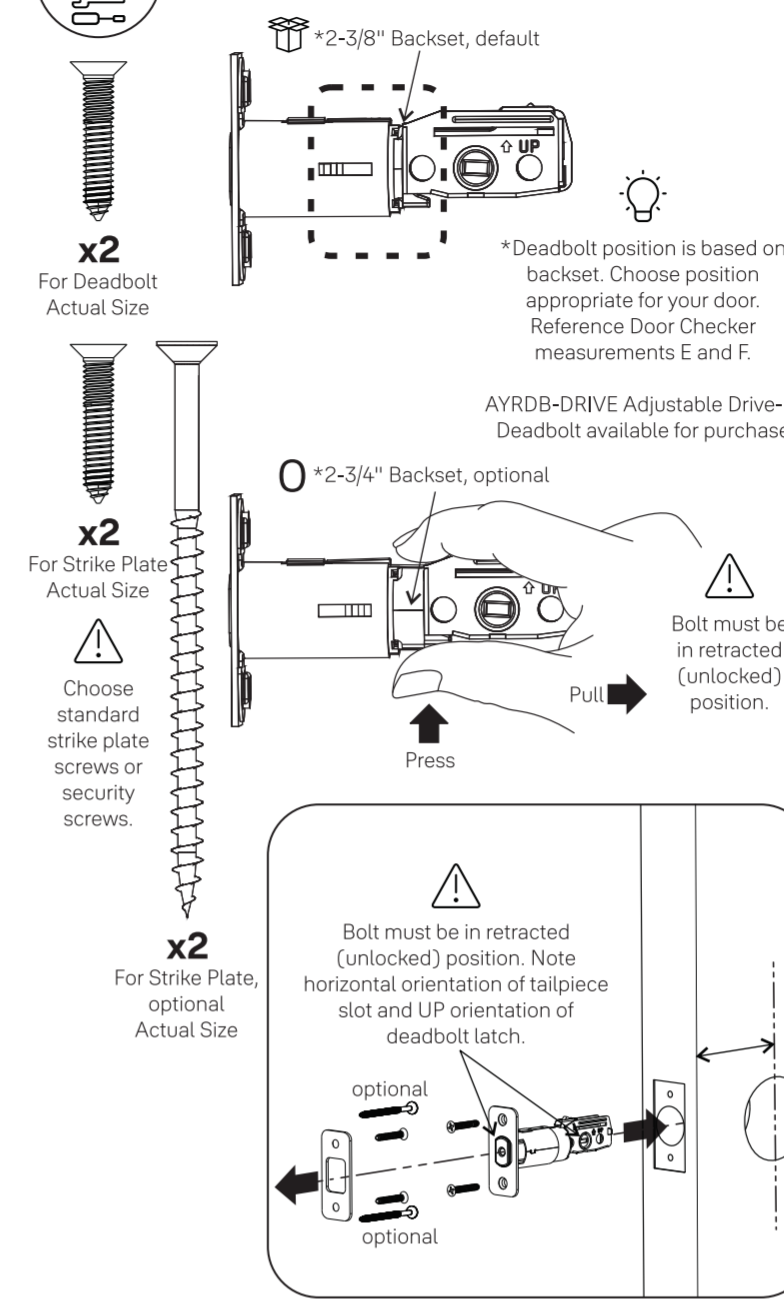


0 optional 1 of 3 Installing Optional Fire Cup for Fire Rated Openings

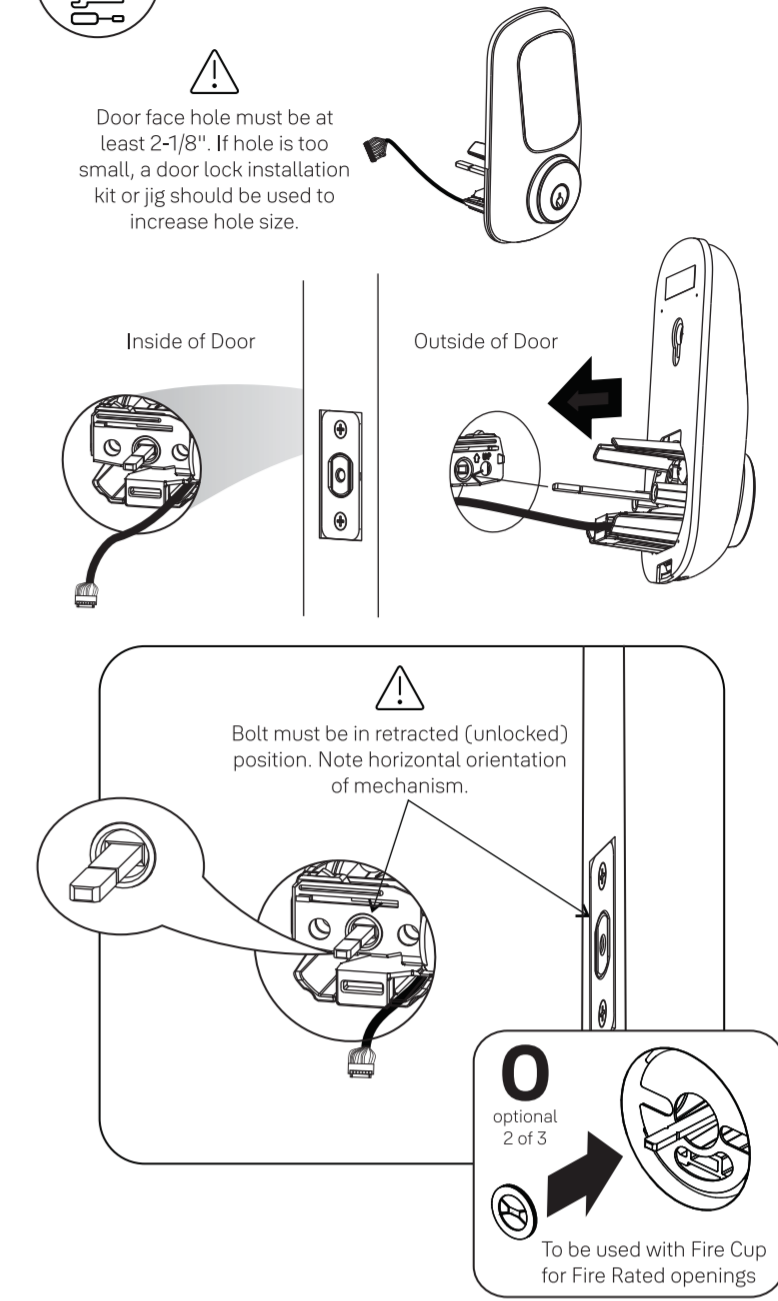
Only included with select models



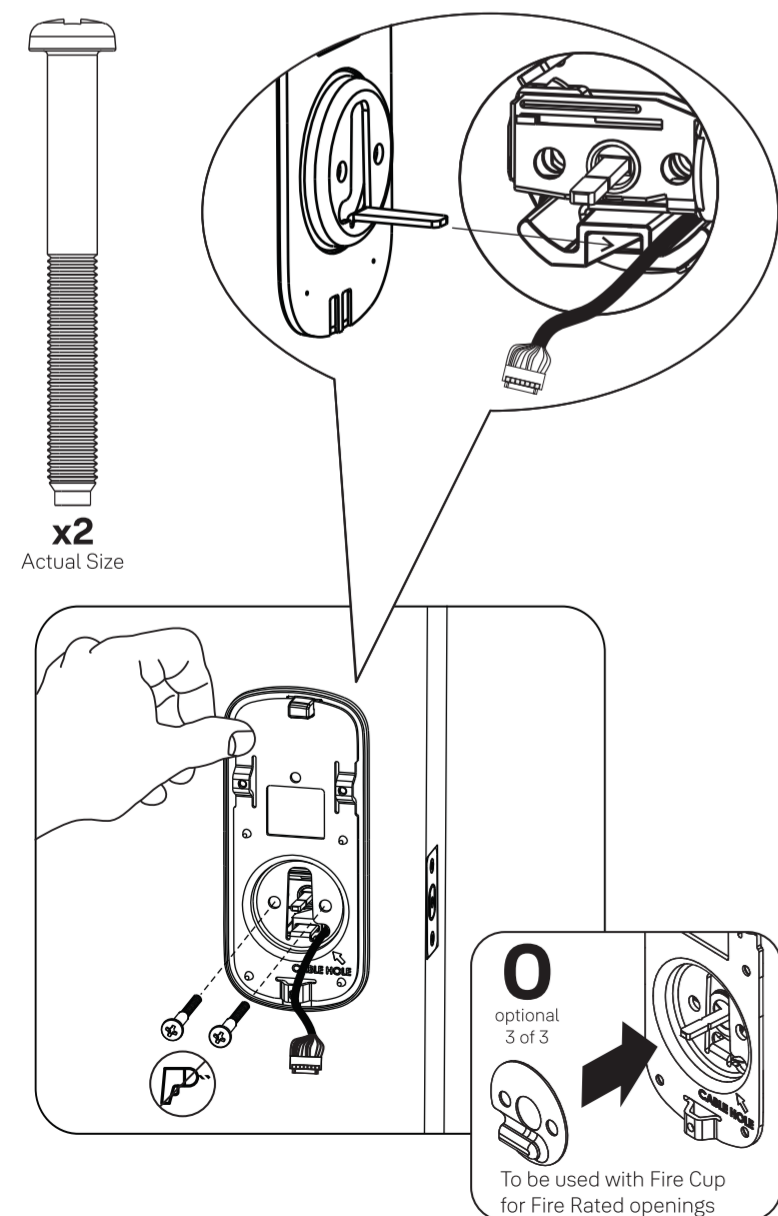
3 Install Deadbolt and Strike Plate



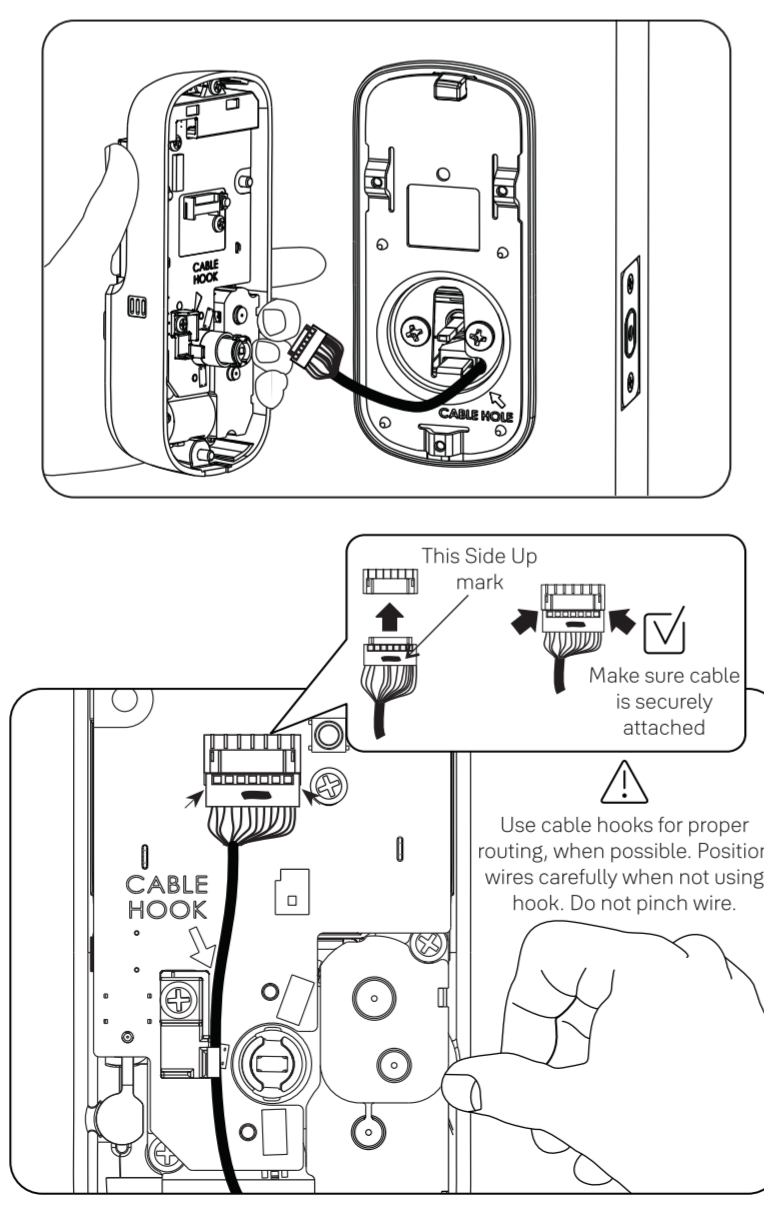
4 Install Touchscreen Keypad



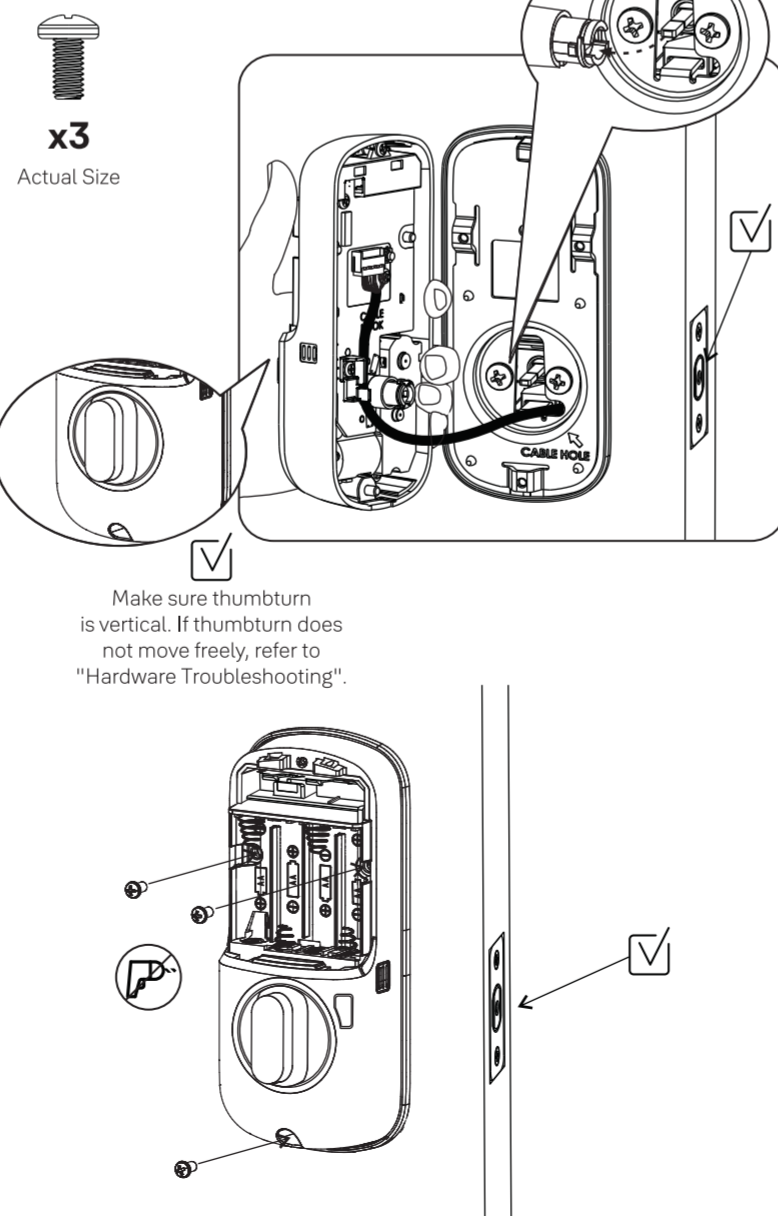
5 Install Inside Mounting Plate



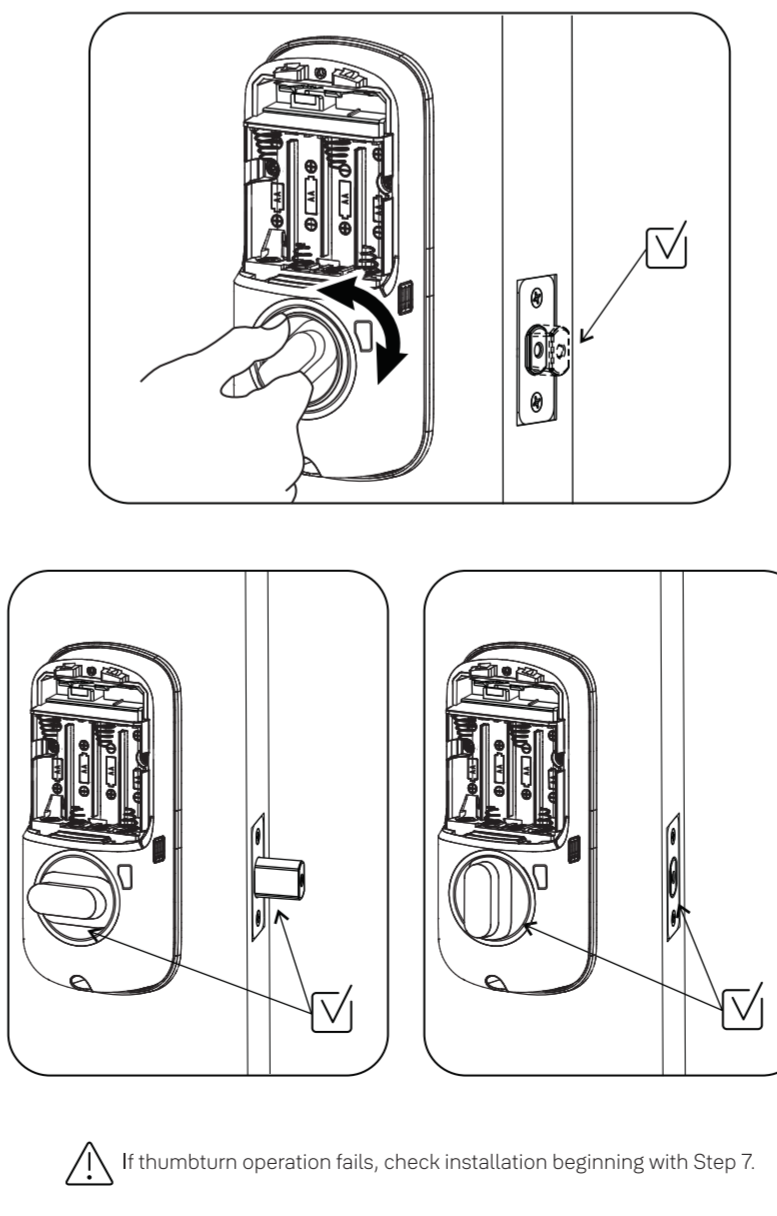
6 Attach Cable



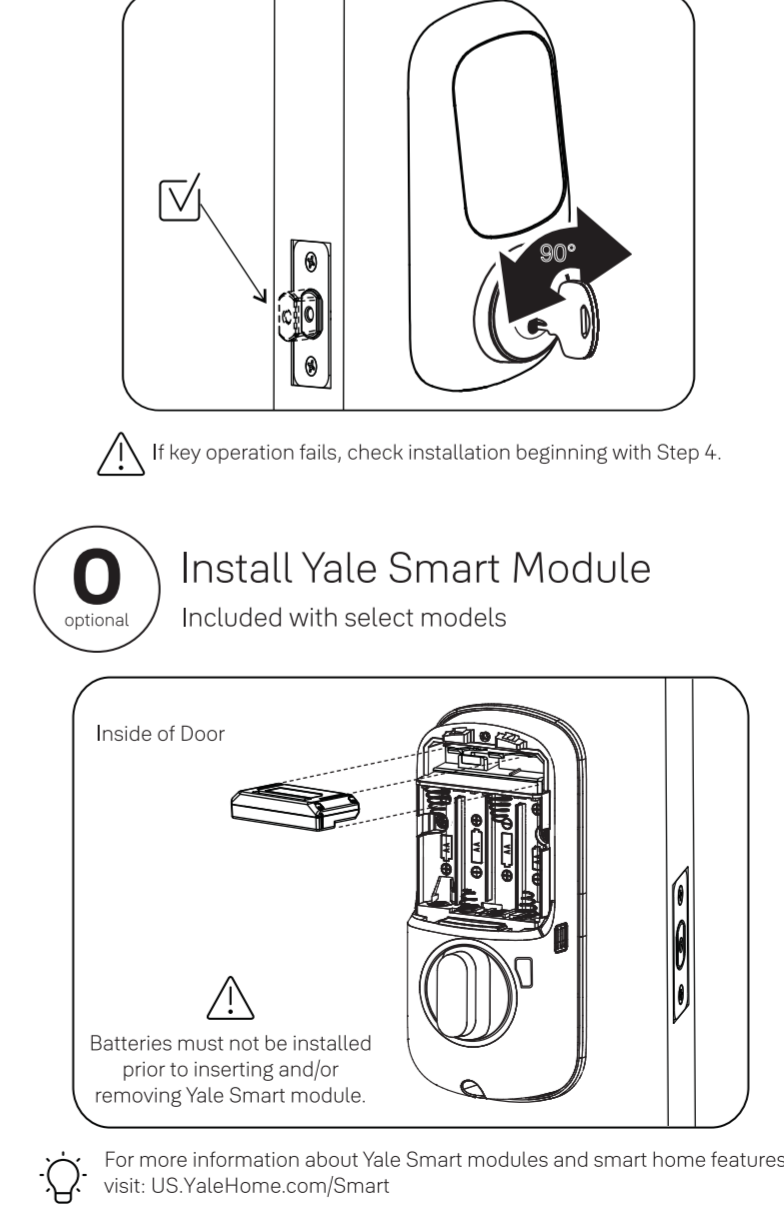
7 Install Inside Lock



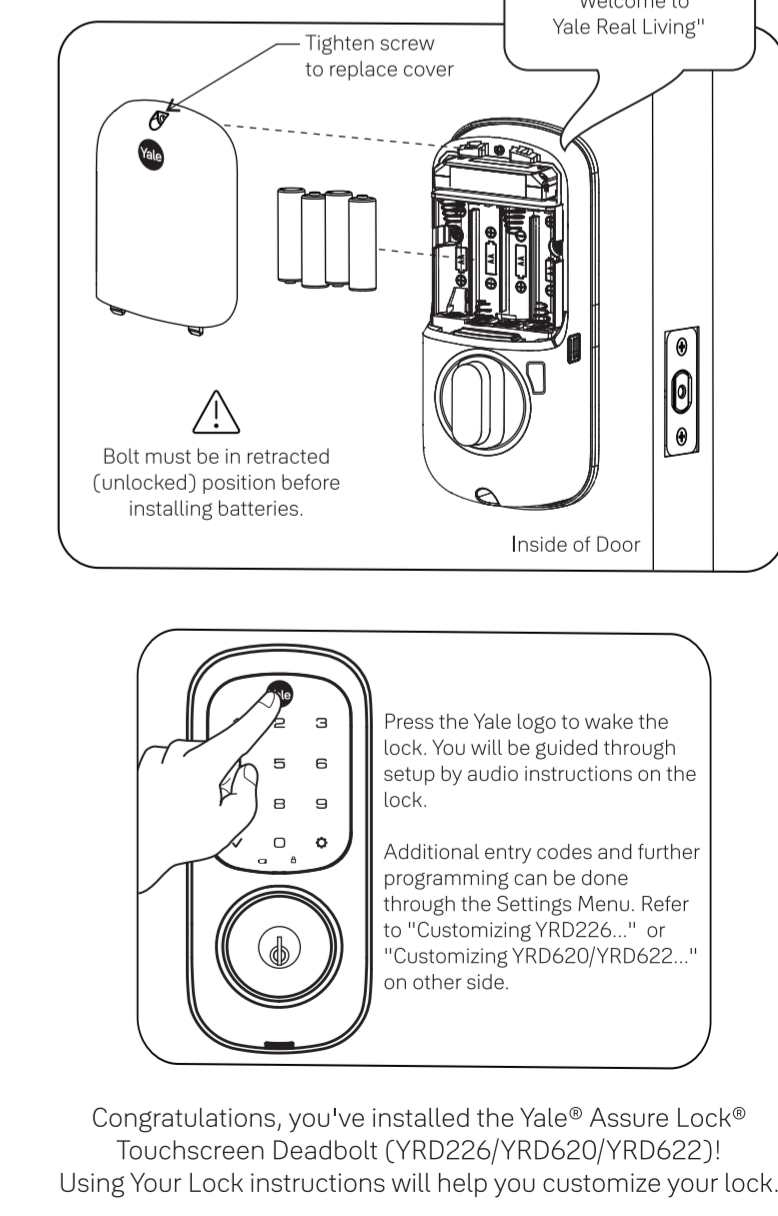
Test Mechanical Operation



Test Mechanical Operation

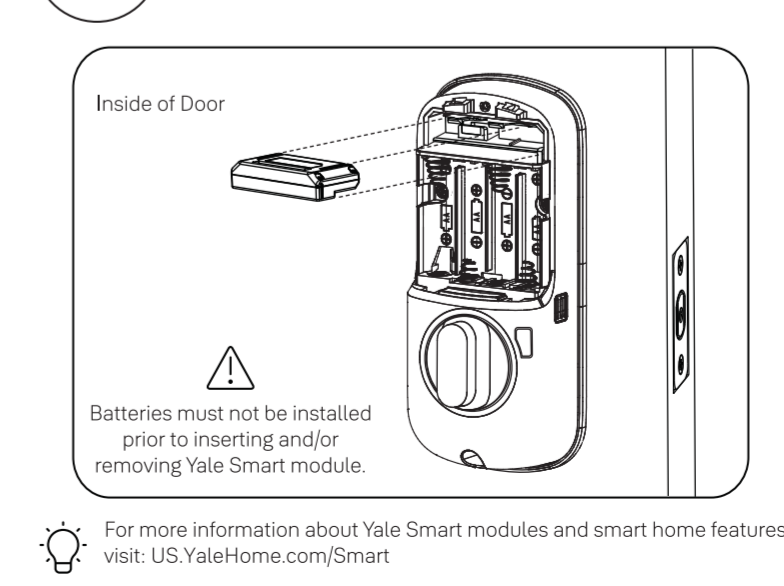


8 Install Batteries and Cover



0 optional Install Yale Smart Module

Included with select models



Congratulations, you've installed the Yale® Assure Lock® Touchscreen Deadbolt (YRD226/YRD620/YRD622)! Using Your Lock instructions will help you customize your lock.

For more information about Yale Smart modules and smart home features visit: US.YaleHome.com/Smart

