



# Assure Lock 2 Touch

## Keyed YRD420 FP



### Download Yale Access App

Create an account if you don't already have one, and tap "Set Up a Device".



Note: If you have an account with the August App, use the same username and password for the Yale Access App.

### Install Your Lock

Follow the step-by-step Installation Guide in this manual (pages 8-22), or refer to the app for installation instructions with helpful videos.

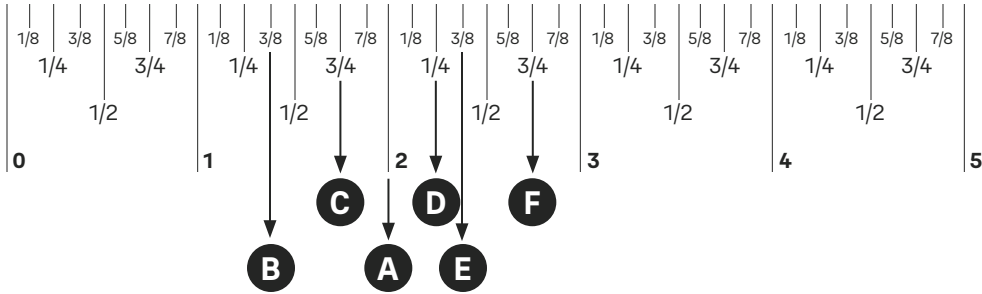
Note: If you use the app, please tear off the Door Checker and the Marking Template (pages 3-6) to use when prompted.

### Set Up and Use Your Lock

Create permanent entry codes, issue temporary entry codes for guests, operate your lock with your phone and more (pages 23-31).

Trusted Every Day





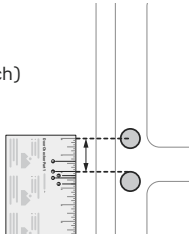
Tear Along the Dotted Line

# Door Checker Part 1

See Reverse for Part 2 →

### Measure Clearance

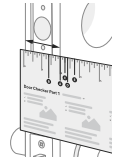
- ✓ Greater than A
- ✗ Less than A  
(Your door is not a match)



**A.** 2" minimum clearance between top of the door knob and center of deadbolt hole.

### Measure Door Thickness

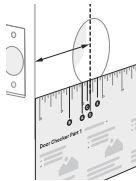
- ✓ B, C or D
- ✗ Less than B or greater than D  
(Your door is not a match)



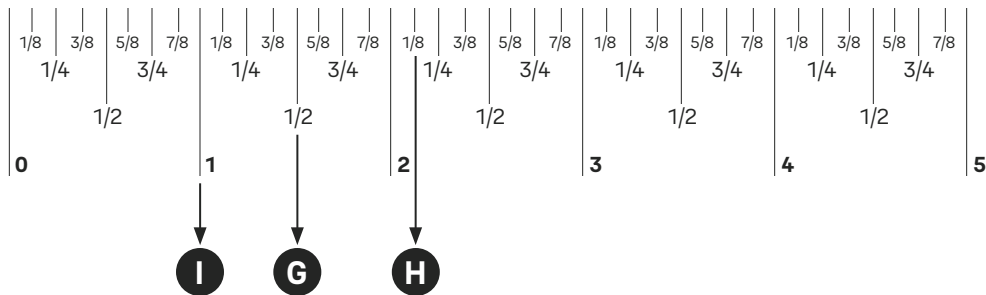
- B.** 1-3/8" door thickness; use **teal** (shortest) **screws**.
- C.** 1-3/8" - 1-3/4" door thickness; use black (medium) **screws**.
- D.** 1-3/4" - 2-1/4" door thickness; use **silver** (longest) **screws**.

### Measure Backset

- ✓ Equals E or F
- ✗ Doesn't equal E nor F  
(Your door is not a match)



- E.** 2-3/8" backset, use out of box latch setting.
- F.** 2-3/4" backset, adjust latch setting (Step 2, point 1 of this manual).

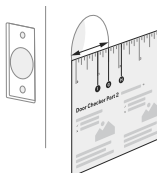


## Door Checker Part 2

See Reverse for Part 1 →

### Measure Face Bore

- ✓ Equals G or H
- ✍ Less than G  
(Adjust diameter to G or H)
- ✗ Greater than H  
(Your door is not a match)

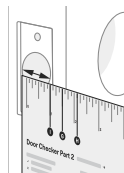


- G.** 1-1/2" face bore diameter.
- H.** 2-1/8" face bore diameter.

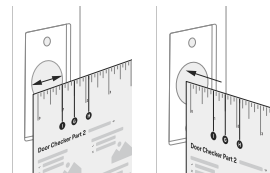
### Measure Edge Bore and Strike Pocket

- ✓ Equals I
- ✍ Less than I  
(Adjust diameter to I)
- ✗ Greater than I  
(Your door is not a match)

#### Door (Edge Bore)



#### Frame (Strike Pocket)



Diameter

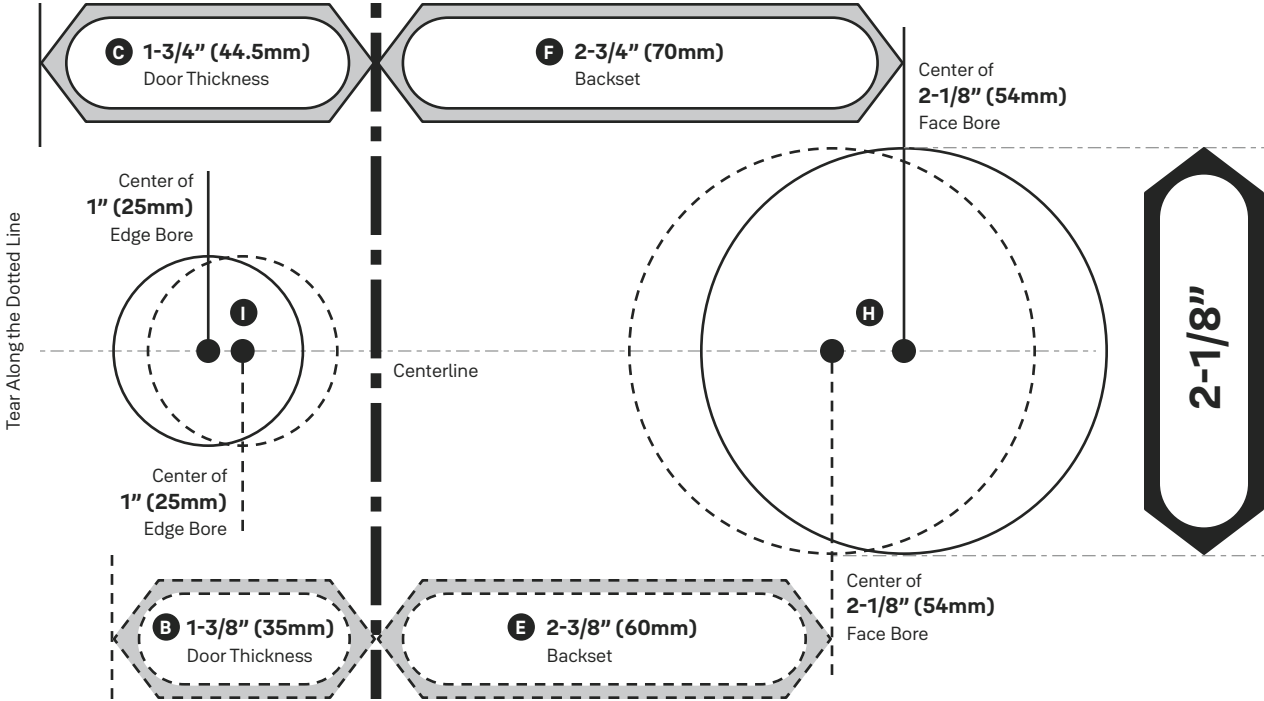
Depth

- I.** 1" edge bore diameter;
- 1" strike pocket diameter and depth.

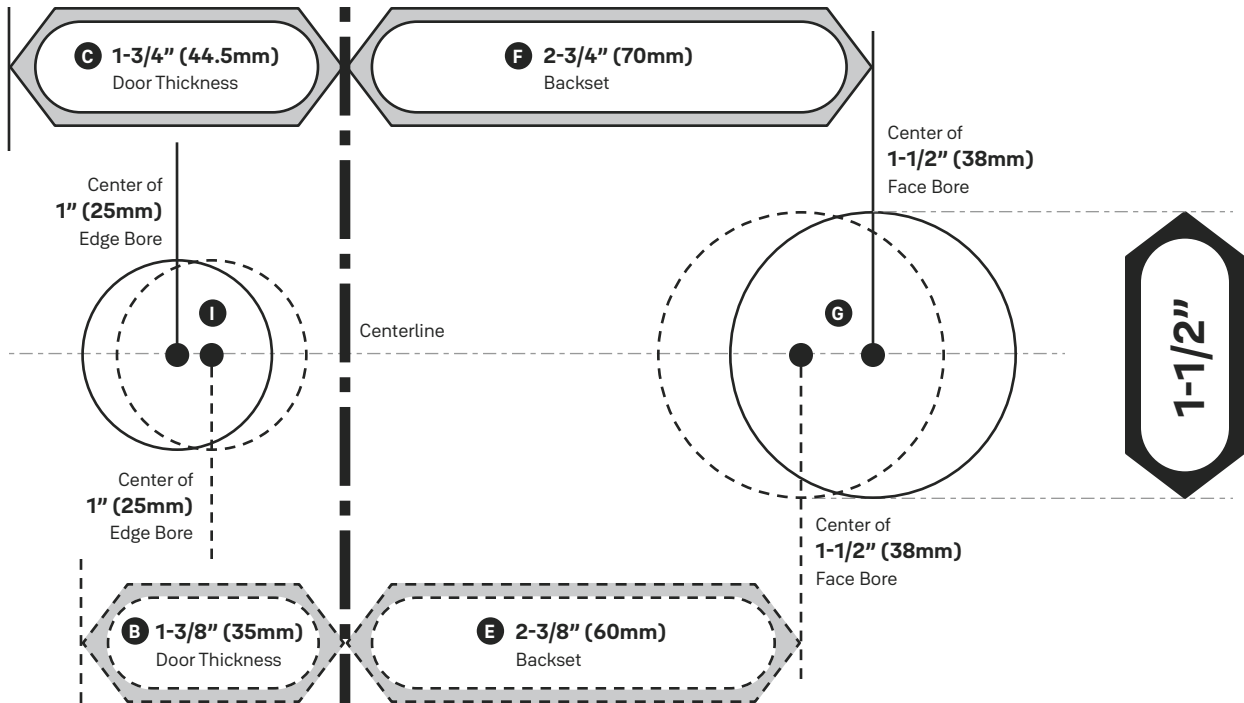


Minimum strike pocket depth is 1".

# Marking Template for 2-1/8" (54mm) Face Bore

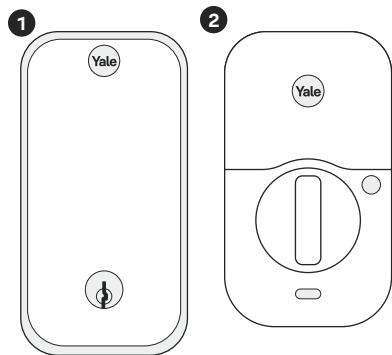


# Marking Template for 1-1/2" (38mm) Face Bore

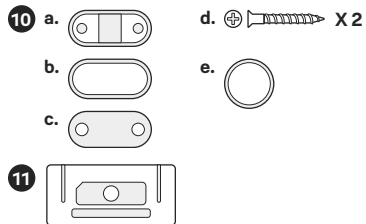


# In the Box

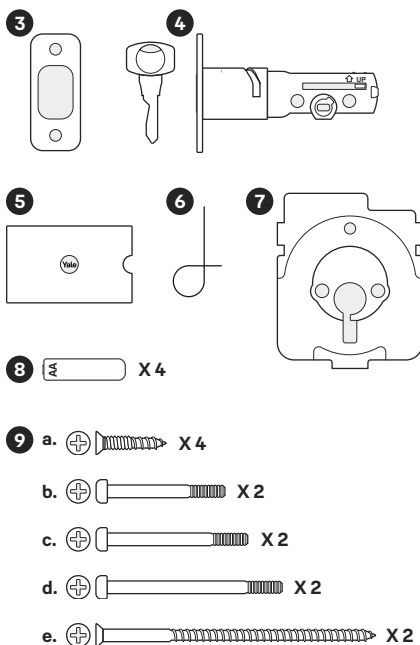
## Lock



## Add-Ons



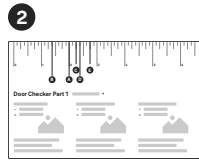
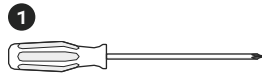
## Hardware



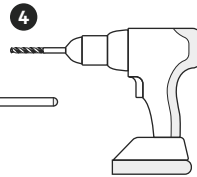
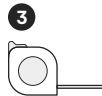
1. Exterior Keypad
2. Interior Lock
3. Strike Plate
4. Adjustable Deadbolt & Key
5. Manual
6. Reset Pin
7. Mounting Plate
8. AA Batteries
9. Screws
  - a. Strike Plate and Deadbolt Screws
  - b. Teal Screw Set B
  - c. Black Screw Set C
  - d. Silver Screw Set D
  - e. Optional Security Strike Plate Screws
10. DoorSense
  - a. Housing
  - b. Cover
  - c. Mounting Tape
  - d. Screws
  - e. Flush Mount Cap
11. Smart Module  
(Included with select models)

# Installation Guide

## Required Tools



## You Might Also Need



1. **Phillips Head Screwdriver**
2. **Door Checker**  
(tear off pages 3-4 of this manual)
3. **Tape Measure**
4. **Drill**
5. **Marking Template**  
(tear off pages 5-6 of this manual)
6. **Pencil**
7. **Wood Mortise Chisel**
8. **Utility Knife**
9. **Level**



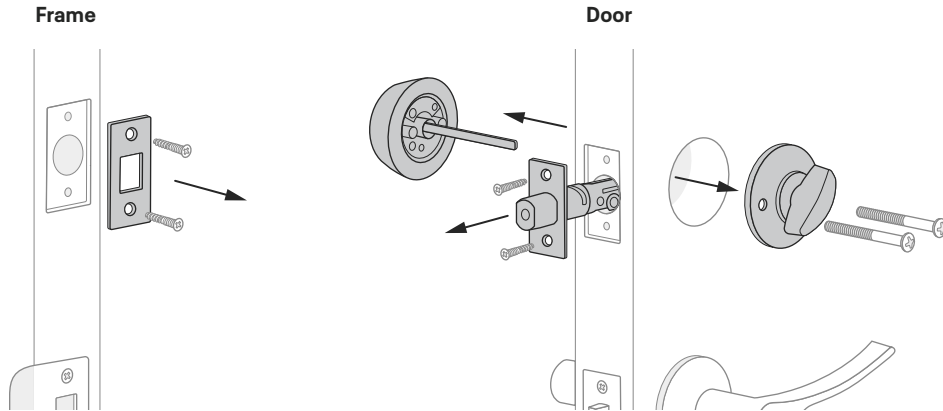
Failure to follow the Installation Guide precisely could result in damage to the product, voiding the factory warranty, and could lead to failure of the product to provide access.



# 1a Remove Existing Deadbolt

If you have a new door, please proceed to step 1b. →

If you have a deadbolt on your door, use the diagram to help you remove it.



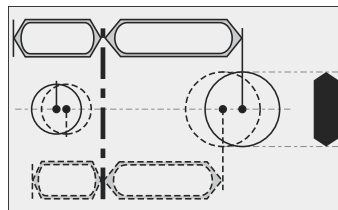
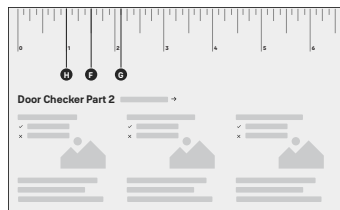
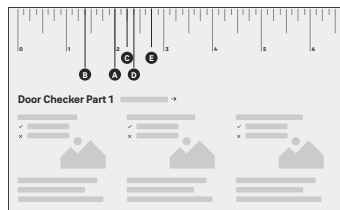
Keep your old deadbolt until your new lock has been successfully installed.

# 1b Check Door Measurements

If your door doesn't have holes, please proceed to step 1c. →

Tear off the **Door Checker** (pages 3-4) of this manual and follow the guidelines on **both sides** to measure each aspect of your door and frame. There are some cases when existing holes cannot be adjusted to be compatible.

✍ If you need to make adjustments, go to **step 1c** and find the closest match to each aspect of your door on the **Marking Template**.



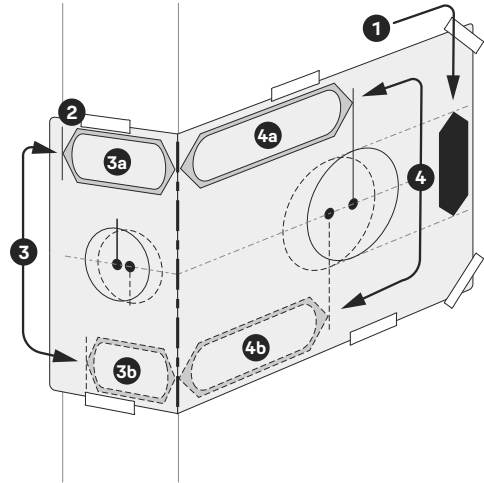
Please do not drill any holes until you confirm that your door is compatible.

If you have confirmed that the existing holes are compatible with your new lock, please proceed to step 2 (skip step 1c).

# 1c Make or Adjust Holes

Skip this step if you have confirmed that the existing holes are compatible (step 1b).

1. Tear off the **Marking Template** (pages 5-6 of this manual), and choose the preferred face bore diameter (**2-1/8"** or **1-1/2"**) on either side of the template.
2. Tape the Marking Template onto the door as shown.
3. Check the door thickness. It should match either the shape with **solid** outlines (**1-3/4"**), or the one with **dashed** outlines (**1-3/8"**).
  - 3a. Use **solid** lines as a template for **1-3/4"** door thickness.
  - 3b. Use **dashed** lines for **1-3/8"** door thickness.
4. Choose your preferred backset. It should match either the shape with **solid** outlines (**2-3/4"**), or the one with **dashed** outlines (**2-3/8"**).
  - 4a. Use **solid** lines as a template for **2-3/4"** backset.
  - 4b. Use **dashed** lines for **2-3/8"** backset.
5. Drill holes in your door where marked.

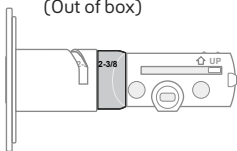


## 2 Install Deadbolt Latch

1. Correct deadbolt length is based on the backset. Refer to measurements **E** and **F** on the **Door Checker** (page 3) to verify backset.

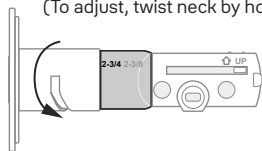
### **E** 2-3/8" Backset

(Out of box)



### **F** 2-3/4" Backset

(To adjust, twist neck by holding the body stable)



x 2 for Deadbolt Latch  
x 2 for Strike Plate  
(Actual size)

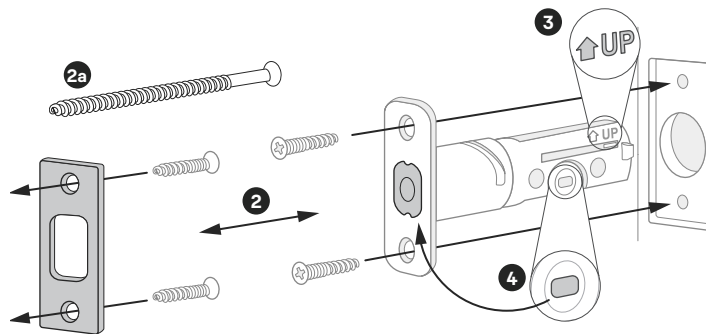
2. Align strike plate with deadbolt latch.

**2a.** (Optional) Security screws can be used in place of the small strike plate screws.

3. Make sure UP arrow on the deadbolt is facing upwards.

4. Deadbolt latch must be in an unlocked position.

Note: If the deadbolt latch is extended, use a small flathead screwdriver to rotate slot until deadbolt latch is retracted.



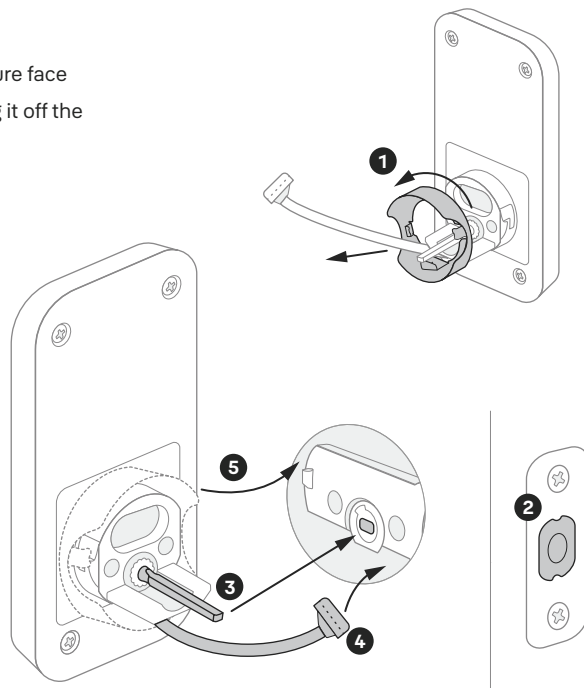
P/N YRD420-KD-F Rev A

# 3 Install Exterior Keypad

1. Refer to measurements **G** and **H** on the **Door Checker** (page 4) to measure face bore hole. If the hole is **less than 2-1/8" (H)**, remove adapter by twisting it off the body of the lock.

**⚠** **Install your lock with the door open.**  
Do not close your door until all the steps are completed.

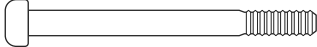
2. Make sure your deadbolt latch is in an unlocked position. Refer to **step 2, point 4** (page 12) for guidance on how to retract it, if needed.
3. Slide the tailpiece through the deadbolt latch slot.
4. Guide the wire cable under the deadbolt.
5. Slide the keypad in place, making sure it's on the exterior part of your door.



## 4 Install Mounting Plate

1. Refer to measurements **B**, **C**, and **D** on the **Door Checker** (page 4) to select screws.

**B**  x 2 **Teal Screws** (1-3/8" door thickness)

**C**  x 2 **Black Screws** (1-3/8" - 1-3/4" door thickness)

**D**  x 2 **Silver Screws** (1-3/4" - 2-1/4" door thickness)

2. Route the wire cable into the designated slot in the mounting plate.

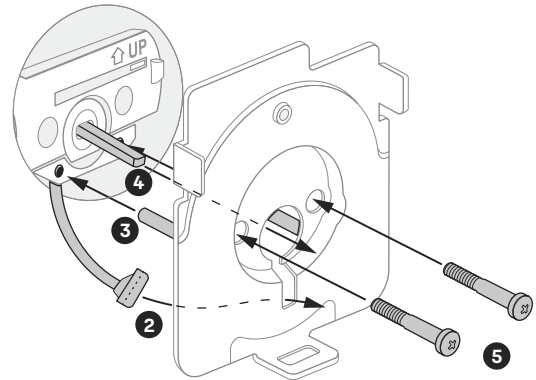
3. Guide posts of the mounting plate into the holes on the exterior keypad.

4. Slide tailpiece through the designated slot in the mounting plate.

5. Tighten screws with a screwdriver to secure the mounting plate.

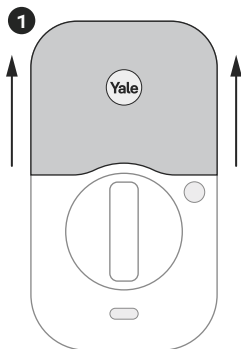


As you tighten the screws, make sure the mounting plate and the keypad are straight.

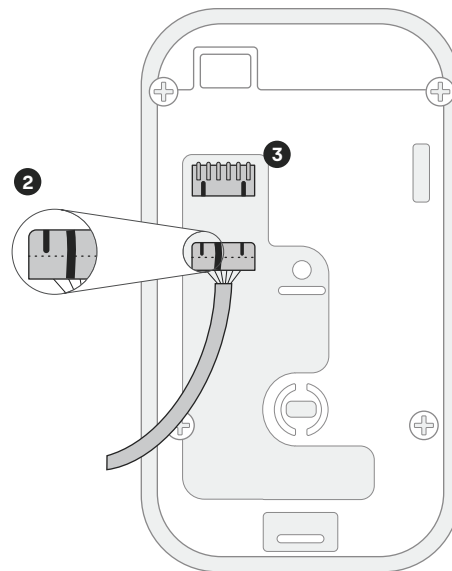


# 5 Attach Wire Cable to Interior Lock

1. Remove battery cover by pulling it upwards off the body of the interior lock.

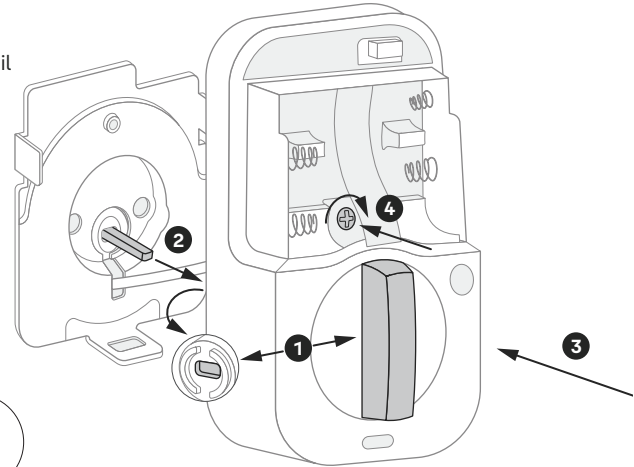


2. Make sure the side of the cable end with the ridges and the marked line faces outward.
3. Push cable into the designated slot until you hear a click.



## 6 Install Interior Lock

1. Make sure the tailpiece slot is in horizontal position. Use the thumbturn to adjust if needed.
2. Slide the tailpiece through the designated slot on the back of the thumbturn.
3. Press the lock against the mounting plate, adjusting its position until it clicks into place and the bottom of the lock is held in place.
4. Tighten the one pre-installed screw.



**⚠** When fully tightened, lock should be flush to door.



## 7 Test Thumbturn & Key

If deadbolt latch does not lock or unlock with the **key** (from the outside) or the **thumbturn** (from the inside):

- Ensure that the deadbolt latch is centered in the face bore hole;
- Ensure that the tailpiece is positioned horizontally and inserted through deadbolt latch slot (**step 3, point 3**) into the thumbturn slot (**step 6, point 2**).

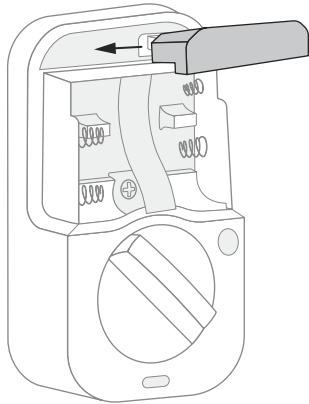


**⚠** Smooth deadbolt latch operation will enhance your battery life.

## 8 Install Yale Smart Module (Optional)

If your lock model does not include a Smart Module, please proceed to step 9a. →

Insert Yale Smart Module into the designated slot at the top of the body of the lock.



Note: If you purchased your module separately, check compatibility with your Assure 2 Touch. See table below for the list of compatible modules.

**AYR-MOD-ZWV-USA**

Z-Wave 500 series Module

**AYR-MOD-WF1-USA**

Wi-Fi Module



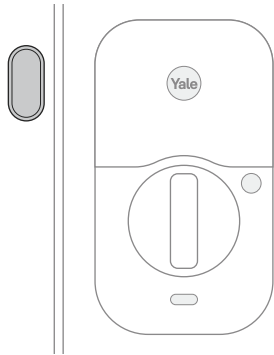
Batteries must **not** be installed when inserting or removing Yale Smart Module.

## 9a Install DoorSense (Optional)

If you do not wish to install DoorSense, please proceed to **step 10**. →

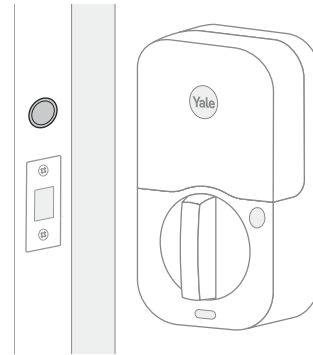
DoorSense is a magnet sensor installed on your door frame that can keep track of when the door is opened and closed.

For **surface mount** instructions, please proceed to **step 9b**. →



Surface mount is a quick and easy option to secure DoorSense on the inside of your door frame.

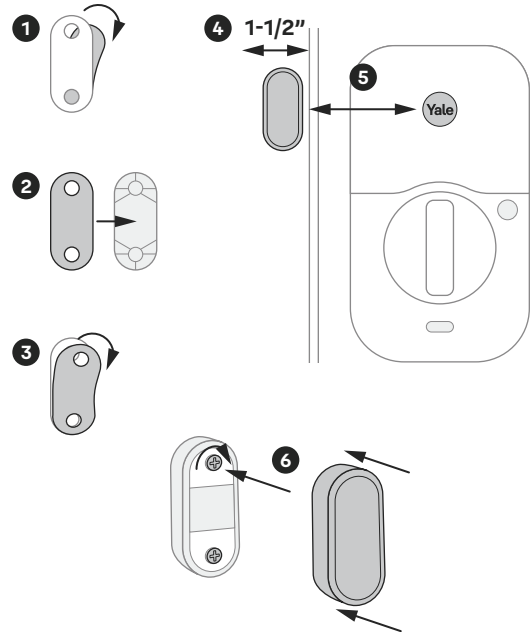
For **flush mount** instructions, please proceed to **step 9c**. →



Flush mount is installing DoorSense into the edge of the door frame. It provides a cleaner look with more robust performance but requires drilling.

# 9b DoorSense Surface Mount

1. Remove one side of the backing from the adhesive.
2. Attach tape to the back of the DoorSense, ensuring it is aligned with the edges of the device and the screw holes.
3. Remove the remaining backing from the adhesive.
4. Determine mounting location. For optimal performance, DoorSense should be mounted within 1-1/2" from the edge of your door frame.
5. Ensure DoorSense is in proper position by center aligning it with the Yale logo, and adhere it to the door frame.
6. Tighten pre-installed screws and attach cover.

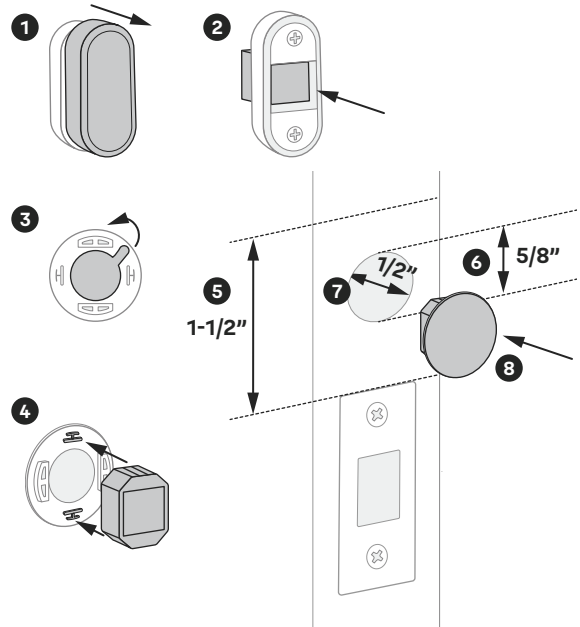


It is recommended to complete the last step after your lock is calibrated with the app to ensure you are able to retrieve accurate door state readings before modifying your frame.

# 9C DoorSense Flush Mount

1. Take off DoorSense cover.
2. Push the magnet out of the housing.
3. Expose the adhesive on the magnet cap by removing the blue backing.
4. Press the magnet onto the cap so that the notches interlock.
5. Determine mounting location. DoorSense should be mounted 1-1/2" at most from the top edge of the strike plate.
6. Mark a hole that's horizontally centered on the door frame and is 5/8" in diameter.
7. Drill a 1/2" deep hole where marked.
8. Insert DoorSense into the hole.

Note: If it is too snug to push in by hand, protect the frame with a piece of scrap wood and use light blows with a hammer or mallet.



# 10 Install Batteries and Replace Cover

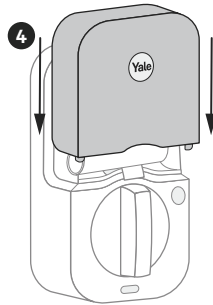
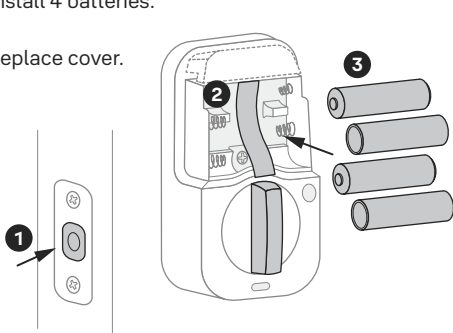


**Make sure you have Yale Access App downloaded and an account created.**

Once batteries are inserted, lock is ready to be set up with the app.



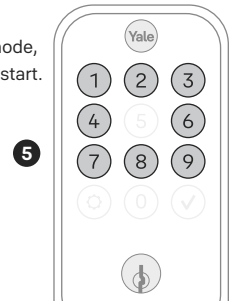
1. Before installing batteries, make sure the deadbolt latch is unlocked.
2. Place ribbon behind batteries for easy battery removal.
3. Install 4 batteries.
4. Replace cover.



P/N YRD420-KD-F Rev A

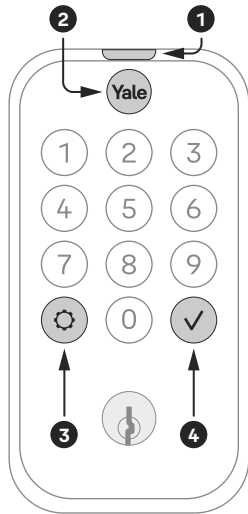
5. Once batteries are inserted, the entire keypad will light up in a clockwise pattern. Once this happens, the lock is in pairing mode. Open Yale Access App, tap on "Set Up a Device", and follow the in-app setup instructions.

Note: If the lock exits pairing mode, simply press the Yale logo to restart.



# Using Your Lock

## Exterior Keypad



To **lock** your door

Press

To **unlock** your door

- **With fingerprint\***

Touch

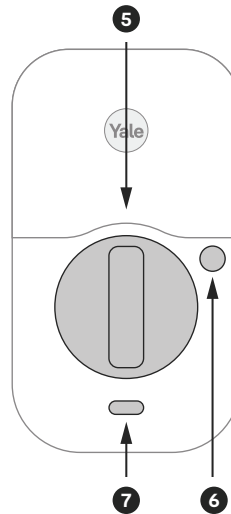
- **With entry code**

Press →

Enter entry code →

Press

## Interior Lock



1. Exterior LED indicator
2. Wake / One-Touch Locking / Fingerprint Scanner
3. Warnings / Menu
4. Lock or Submit Entry Code
5. Thumbturn
6. Passage Button
7. Interior LED Indicator

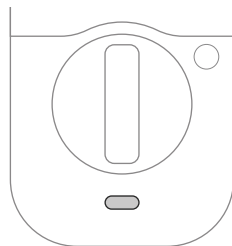
\*Make sure that you're using a registered finger, and that it's clean and dry.

# LED Alerts

Exterior Keypad Alerts	
<b>Gear flashes amber</b>	Low battery level 1
<b>Gear flashes red</b>	Low battery level 2
<b>Gear flashes red, then stays red</b>	Low battery level 3
<b>Checkmark flashes</b>	Pairing success
<b>Any key, then gear flash red</b>	Jammed lock
<b>Gear flashes white</b>	Pairing
<b>Gear flashes red during pairing</b>	Failed pairing



Interior Lock Alerts	
<b>LED indicator flashes blue</b>	Low battery levels 1, 2 and 3
<b>LED indicator flashes pink</b>	Passage mode enabled
<b>LED indicator flashes red</b>	Locked state
<b>LED indicator flashes green</b>	Unlocked state
<b>LED indicator turns green for 3 seconds</b>	Pairing success
<b>LED indicator turns red for 3 seconds</b>	Pairing failure





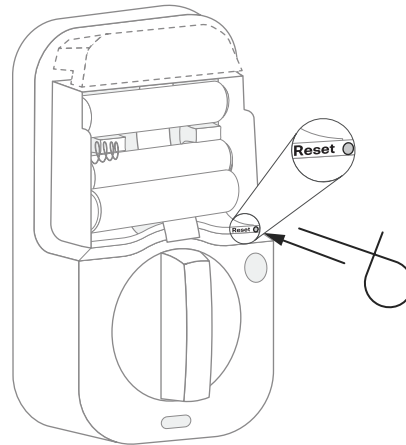
# Resetting Your Lock to Factory Defaults



**If you have set up your lock with Yale Access App, you should reset it using the app.**  
Go to your lock's settings and choose "Factory Reset".



1. Remove one battery.
2. Insert reset pin into the designated reset hole.
3. Press & hold the reset pin.
4. While holding the reset pin, reinsert battery.
5. Keep holding the reset pin for 5 more seconds.
6. Take out the reset pin.



# Features

<b>DoorSense</b>	<ul style="list-style-type: none"><li>• DoorSense keeps track of when your door is closed or open.</li></ul>
<b>Fingerprint</b>	<ul style="list-style-type: none"><li>• Unlock your door by scanning your fingerprint.</li></ul>
<b>Entry Codes</b>	<ul style="list-style-type: none"><li>• Entry Codes are used to unlock your door.</li><li>• Create entry codes from the "Guest List" tab in the Yale Access App.</li><li>• You can set permanent, recurring, and temporary entry codes.</li><li>• An unlimited number of entry codes can be created or deleted as long as you have Bluetooth or Wi-Fi connection to the lock.</li></ul>
<b>Auto-Lock</b>	<ul style="list-style-type: none"><li>• Auto-Lock automatically locks the door for you.</li><li>• It can be set to lock on a timer, as short as 30 seconds, or as long as 30 minutes.</li><li>• When using the Auto-Lock feature with the DoorSense, your door will not lock until it is closed.</li><li>• Auto-Lock can be set up in the lock settings of the app.</li></ul>
<b>Auto-Unlock</b>	<ul style="list-style-type: none"><li>• Auto-Unlock knows when you arrive and unlocks the door as you approach.</li><li>• Auto-Unlock can be set up in the lock settings of the app.</li></ul>
<b>Passage Mode</b>	<ul style="list-style-type: none"><li>• Use passage mode when you want to disable Auto-Lock for an extended period of time.</li><li>• Simply press and hold the Passage button on the inside of the lock until you hear a chime to turn it on.</li><li>• To turn passage mode off, lock your door or press and hold the Passage button until you hear a chime.</li></ul>
<b>Integrations</b>	<ul style="list-style-type: none"><li>• Yale Access products work in harmony with some of your favorite smart home brands.</li><li>• Integrations can be set up in the Yale Access App from the "Works With" menu option.</li></ul>

# App Settings

You can find these and other settings in the Yale Access App.

Security	
Hide Entry Codes	If turned on, all entry codes within the app will be hidden from view.
Verified Access	If turned on, biometric/passcode authentication is required to operate the lock using the app.
Notifications	
Smart Alerts	Create alerts you wish to receive from the app.
Automation	
Auto-Lock	Door will automatically lock, either when door is closed (with DoorSense), or on a timer.
Auto-Unlock	Door will automatically unlock when you arrive home.
DoorSense	Allows you to know when your door is opened or closed.
Information	
Programming Code	This code is automatically created by the Yale Access App and used to access programming features: handing, Smart Module integration, and diagnostics. This code cannot be used to unlock the door. Find your programming code in the Yale Access App, enter this code on the keypad and press the gear symbol.

# App Settings

You can find these and other settings in the Yale Access App.

Advanced Device Settings			
Device Settings	Volume	You can turn the lock volume on or off, and set it to high or low.	
	Inside Indicator Light	When turned on, it will show the active status (e.g. locked) of the lock. This light will also inform you when the batteries are low, passage mode is enabled, and pairing is successful.	
	One Touch Locking	Lock the keypad by touching the Yale logo.	
Keypad Settings	Keypad Security	<b>Shutdown Timing</b> (Default: 60 sec)	The lock will shutdown for for the set period of time and not allow operation after the wrong code entry limit has been reached.
		<b>Wrong Code Limit</b> (Default: 5 times)	After the set number of unsuccessful attempts at entering a valid entry code, the lock will shut down and not allow operation for 60 seconds.
	Operating Mode	<b>Normal</b> (Default)	All entry codes will work and the lock can be unlocked and locked from the app and voice assistants.
		<b>Vacation</b>	When enabled, all entry code access will be restricted. Users can still lock and unlock the door with the app.

# Lock Operations Troubleshooting

<p><b>Lock does not respond.</b></p>	<ul style="list-style-type: none"> <li>• Press the Yale logo to activate the keypad.</li> <li>• Verify contact with the logo.</li> <li>• If keypad numbers are visible, check if they respond when pressed.</li> <li>• Check batteries are installed and oriented correctly in battery case. Replace batteries* if needed.</li> <li>• Check that the keypad wire is fully connected and not pinched.</li> </ul>
<p><b>Lock does not respond – door is locked and unaccessible.</b></p>	<ul style="list-style-type: none"> <li>• Batteries may not have enough power. Replace batteries*.</li> <li>• Use mechanical key to unlock the door.</li> </ul>
<p><b>Lock is on for a while then shows no reaction. Lights dim.</b></p>	<ul style="list-style-type: none"> <li>• Batteries do not have enough power. Replace batteries*.</li> </ul>
<p><b>Lock chimes indicating code acceptance but door will not open.</b></p>	<ul style="list-style-type: none"> <li>• Check for any foreign objects between door and frame.</li> <li>• Check that the wire is firmly connected to the interior lock.</li> </ul>
<p><b>Lock operates to allow access but will not automatically unlock.</b></p>	<ul style="list-style-type: none"> <li>• Check to see if Auto-Lock is enabled.</li> <li>• Disable Auto-Lock to lock the door manually.</li> </ul>
<p><b>Lock responds "Low Battery".</b></p>	<ul style="list-style-type: none"> <li>• Replace all four (4) batteries* with new AA alkaline batteries.</li> </ul>

\* After replacing your batteries, it's highly recommended to use your app to lock or unlock your device. This will allow the app to connect to the lock to ensure that the internal time of the device is correct.

# Lock Operations Troubleshooting

<b>Lock does not unlock with fingerprint.</b>	<ul style="list-style-type: none"> <li>• Verify that that you're using a registered finger.</li> <li>• Make sure the finger you're using is clean and dry.</li> </ul>
<b>Entry code will not register.</b>	<ul style="list-style-type: none"> <li>• If low battery indicator is lit, change batteries*.</li> <li>• Verify that your entry code consists of 4 to 8 digits.</li> <li>• Make sure you are using different entry codes for different users.</li> <li>• Entry code must be entered while the keypad is active (tap on the Yale logo to wake it up and enter the entry code within 5 seconds).</li> </ul>
<b>Upon entering an entry code and pressing the check key, the lock displays "invalid code" error or lock times out without responding.</b>	<ul style="list-style-type: none"> <li>• Verify entered code is a valid, previously programmed, 4 to 8 digit code.</li> <li>• Vacation mode might be on. Only an admin user can switch vacation mode to normal in the app.</li> </ul>
<b>Upon entering an entry code and pressing the "Checkmark" key, lock responds "Wrong number of digits".</b>	<ul style="list-style-type: none"> <li>• The digits entered were incorrect or incomplete. Re-enter the correct code followed by the "Checkmark" key.</li> </ul>
<b>Deadbolt does not extend when locking the door with the keypad.</b>	<ul style="list-style-type: none"> <li>• Lock was not handed properly. Find the setting called "Lock Handing" to fix this issue.</li> </ul>
<b>Lock operates but makes no sound.</b>	<ul style="list-style-type: none"> <li>• Check in the app settings if volume is set to off.</li> </ul>

\* After replacing your batteries, it's highly recommended to use your app to lock or unlock your device. This will allow the app to connect to the lock to ensure that the internal time of the device is correct.

# Hardware Troubleshooting

<b>Deadbolt grinds and will not extend to lock when using an entry code but thumbturn locks and unlocks smoothly.</b>	<ul style="list-style-type: none"><li>• Lock was not handed properly. Find the setting called "Lock Handing" to fix this issue.</li></ul>
<b>Deadbolt is hitting the strike plate.</b>	<ul style="list-style-type: none"><li>• Reposition the strike plate to align with deadbolt.</li></ul>
<b>Deadbolt is not fully extending.</b>	<ul style="list-style-type: none"><li>• Increase depth of the deadbolt strike pocket in the frame.</li></ul>
<b>Resistance when locking deadbolt that requires pushing or pulling on the door to align deadbolt and latch.</b>	<p>Adjust your existing knob, lever or handleset strike plate. Latch engagement into the strike is the main component used for door alignment.</p> <p>To adjust Knob/Lever/Handleset strike plate:</p> <ol style="list-style-type: none"><li>1. Remove plate from door frame with a hand screwdriver. Note: Using an electric driver may strip screw heads or enlarge screw holes.</li><li>2. Locate tab on strike plate. Bend the tab towards surface of strike. Note: A small change may be all that is required.</li><li>3. Reinstall strike plate using a screwdriver and test again.</li><li>4. If door cannot be adjusted sufficiently with strike tab, both knob/lever/handleset latch and deadbolt could require adjustment – we suggest you contact a local locksmith for assistance.</li></ol> <p>For help with misalignments, watch our door alignment video: <a href="https://US.YaleHome.com/Support">US.YaleHome.com/Support</a></p>

**Use:**

Use of the Works with Apple badge means that an accessory has been designed to work specifically with the technology identified in the badge and has been certified by the developer to meet Apple performance standards.

Apple is not responsible for the operation of this device or its compliance with safety and regulatory standards.

Apple®, Apple Home™, Apple Watch®, HomeKit®, and iPhone® are trademarks of Apple Inc., registered in the U.S. and other countries and regions.

Google, Google Play and Google Home are trademarks of Google LLC.

Amazon, Alexa and all related logos are trademarks of Amazon.com, Inc. or its affiliates.

Wi-Fi is a registered trademark of Wi-Fi Alliance®.

The Bluetooth® word mark and logos are registered trademarks owned by Bluetooth SIG, Inc. and any use of such marks by ASSA ABLOY Residential Group Inc. is under license. Other trademarks and trade names are those of their respective owners.

**RF Exposure Statement :**

FCC and IC RF Radiation Exposure Statement: This equipment complies with FCC and IC RF Radiation exposure limits set forth for an uncontrolled environment. This device and its antenna must not be co-located or operating in conjunction with any other antenna or transmitter.

This equipment should be installed and operated with a minimum distance of 20 cm between the radiator and your body.

RF du FCC et IC d'exposition aux radiations: Cet équipement est conforme à l'exposition de FCC et IC rayonnements RF limites é-tablies pour un environnement non contrôlé. L'antenne pour ce transmetteur ne doit pas être même endroit avec d'autres émetteur sauf conformément à FCC et IC procédures de produits Multi-émetteur.

Cet équipement doit être installé et utilisé avec une distance minimale de 20 cm entre le radiateur et votre corps.

**FCC:**

FCC ID: 2ABFG-YRD450-F    IC ID: 11626A-YRD450F

**FCC Part 15.19**

This device complies with part 15 of the FCC Rules. Operation is subject to the following two conditions: (1) This device may not cause harmful interference, and (2) this device must accept any interference received, including interference that may cause undesired operation.

**FCC Part 15.21**

Any changes or modifications (including the antennas) to this device that are not expressly approved by the manufacturer may void the user's authority to operate the equipment.

**Class B Equipment**

This equipment has been tested and found to comply with the limits for a Class B digital device, pursuant to Part 15 of the FCC Rules. These limits are designed to provide reasonable protection against harmful interference in a residential installation. This equipment generates, uses, and can radiate radio frequency energy and, if not installed and used in accordance with the instructions, may cause harmful interference to radio communications. However, there is no guarantee that interference will not occur in a particular installation. If this equipment does cause harmful interference to radio or television reception, which can be determined by turning the equipment off and on, the user is encouraged to try to correct the interference by one or more of the following measures:

- Reorient or relocate the receiving antenna.
- Increase the separation between the equipment and receiver.
- Connect the equipment into an outlet on a circuit different from that which the receiver is connected.
- Consult the dealer or an experienced radio/TV technician for help.

**Yale Home**

24/7 Support: 1-855-213-5841 • US.YaleHome.com

Yale® and Assure Lock® 2 are registered trademarks of Yale Home. Other products' brand names may be trademarks or registered trademarks of their respective owners and are mentioned for reference purposes only. ©Copyright 2023.

All rights reserved. Reproduction in whole or in part without the express written permission of Yale Home is prohibited.

P/N YRD420-KD-F Rev A

**Warning:**

Changes or modifications to this device, not expressly approved by **Yale Home** could void the user's authority to operate the equipment.

**Industry Canada:**

FCC ID: 2ABFG-YRD450-F

IC ID: 11626A-YRD450F

This Class A digital apparatus meets all requirements of the Canadian Interference Causing Equipment Regulations.

This device contains licence-exempt transmitter(s)/receiver(s) that comply with Innovation, Science and Economic Development Canada's licence-exempt RSS(s). Operation is subject to the following two conditions:

- (1) This device may not cause interference.
- (2) This device must accept any interference, including interference that may cause undesired operation of the device.

L'émetteur/récepteur exempt de licence contenu dans le présent appareil est conforme aux CNR d'Innovation, Sciences et Développement économique Canada applicables aux appareils radio exempts de licence. L'exploitation est autorisée aux deux conditions suivantes :

- (1) L'appareil ne doit pas produire de brouillage;
- (2) L'appareil doit accepter tout brouillage radioélectrique subi, même si le brouillage est susceptible d'en compromettre le fonctionnement.

**Trusted Every Day**