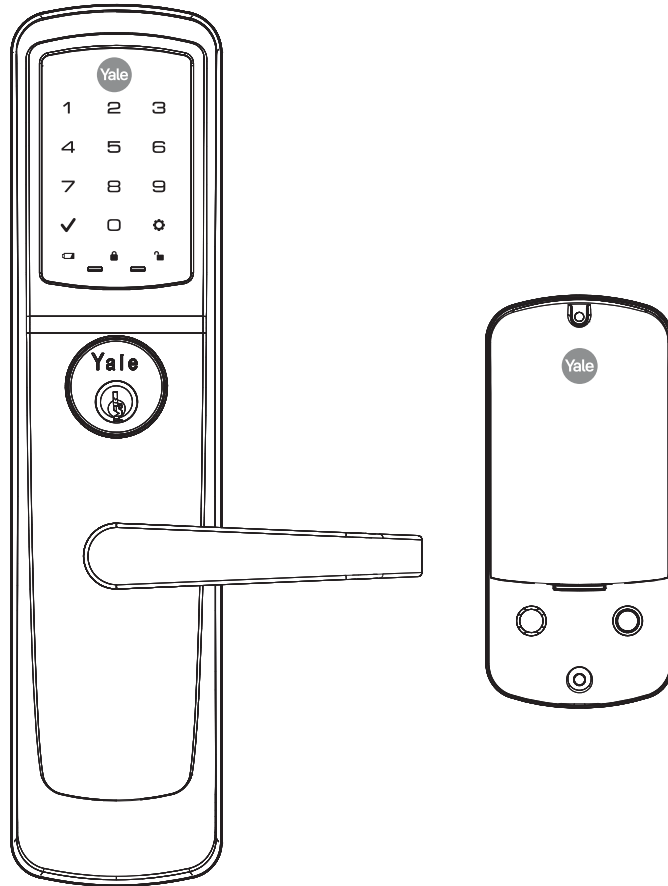




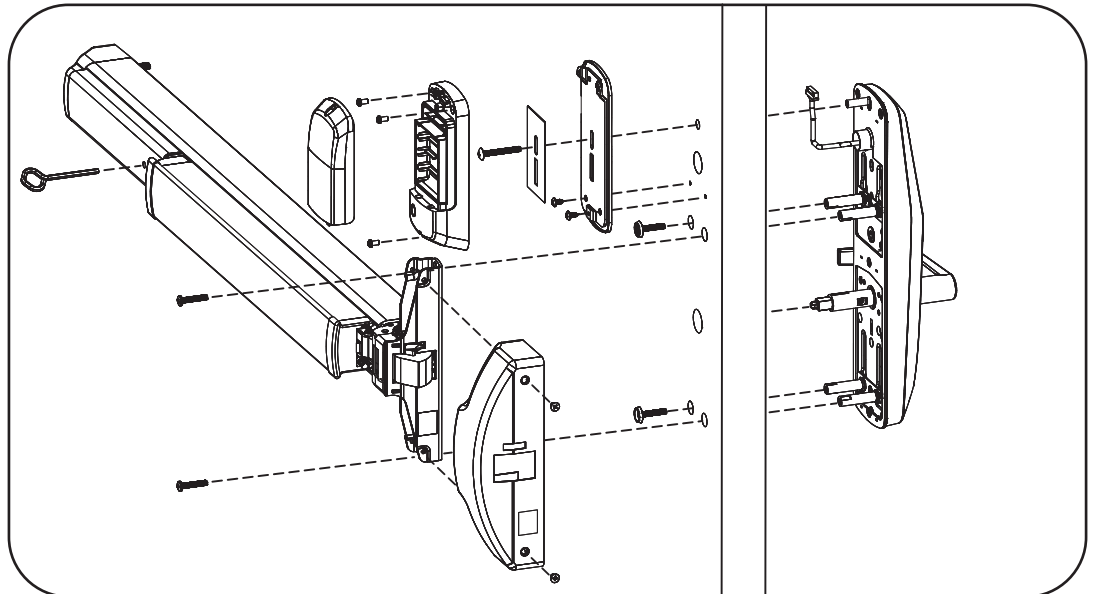
nexTouch™ Keypad Access Exit Trim Lock Touchscreen and Push Button Installation and Programming Instructions



! WARNING

This product can expose you to lead which is known to the state of California to cause cancer and birth defects or other reproductive harm. For more information go to www.P65warnings.ca.gov.

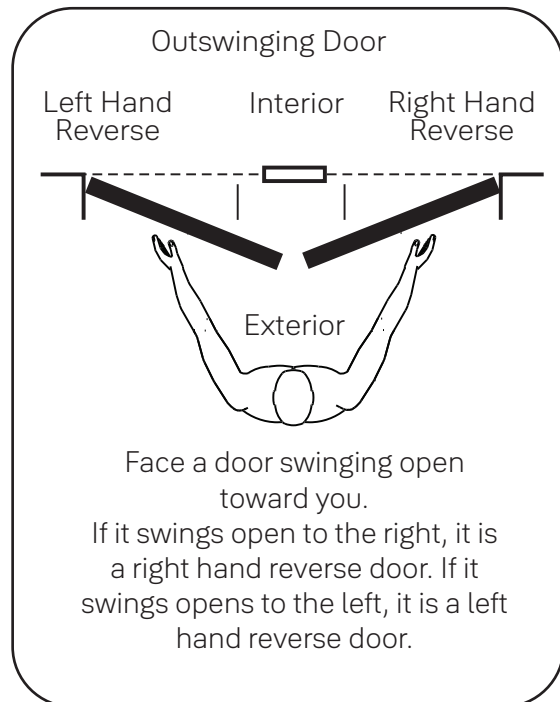
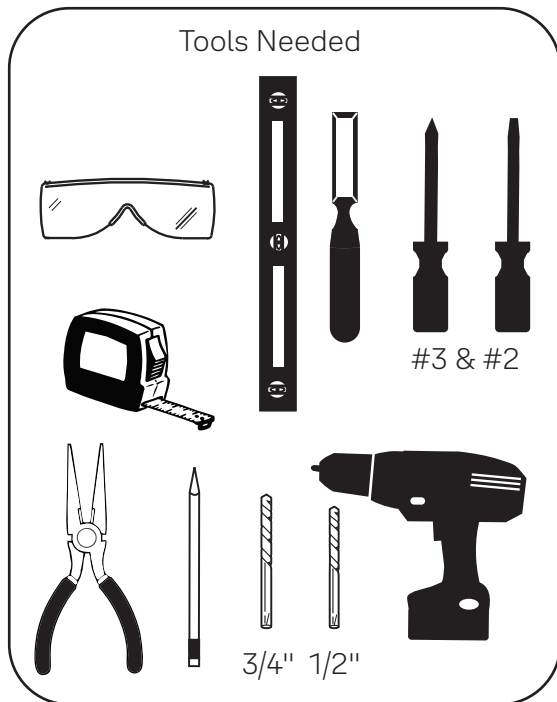
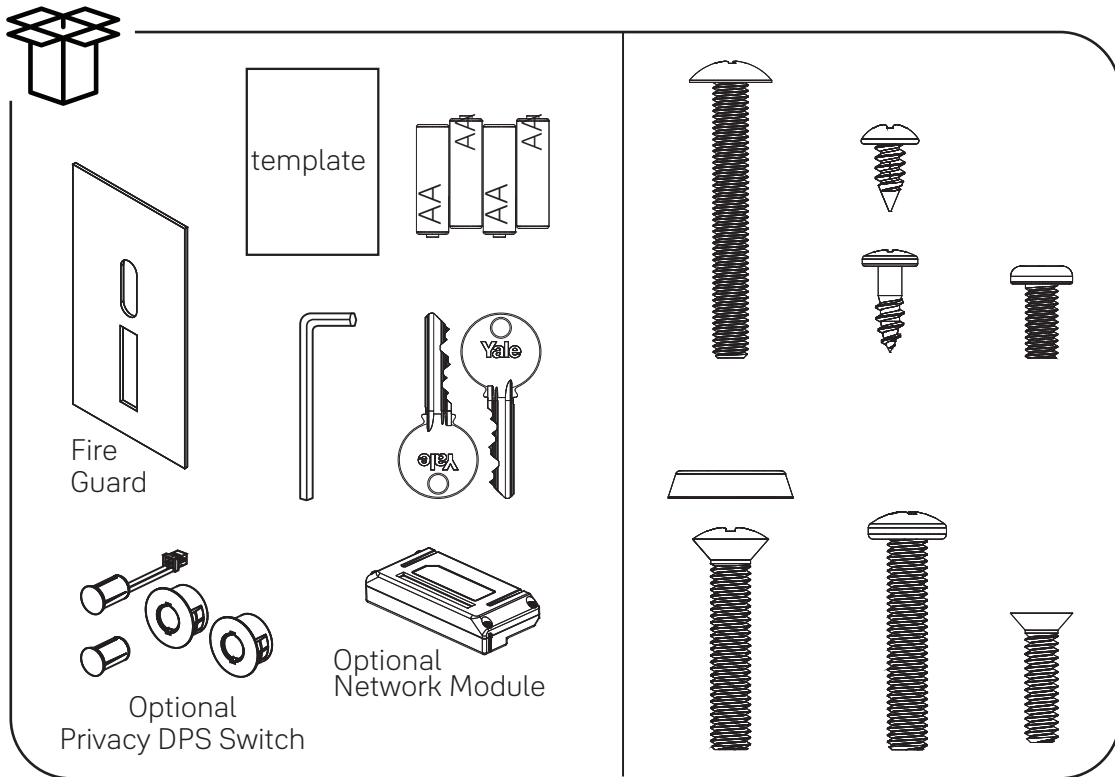
08/2018



Retrofitting or modifying this product may impact fire rating, safety features and warranty. Consult with code specifications to ensure compliance with all codes and ratings.



Before You Begin

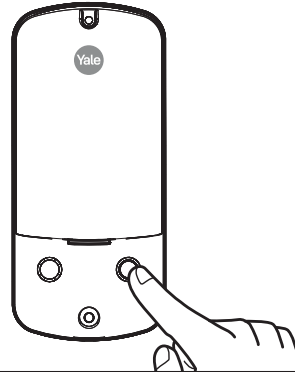
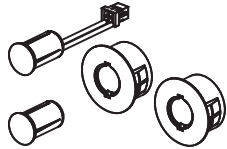


0 optional

Door Position Switch Option

Privacy DPS Switch

With Door Position Switch installed and door closed, all keypad functions can be disabled by Privacy Button.



1 Tools

Prepare Door

DPS Option for Privacy Function

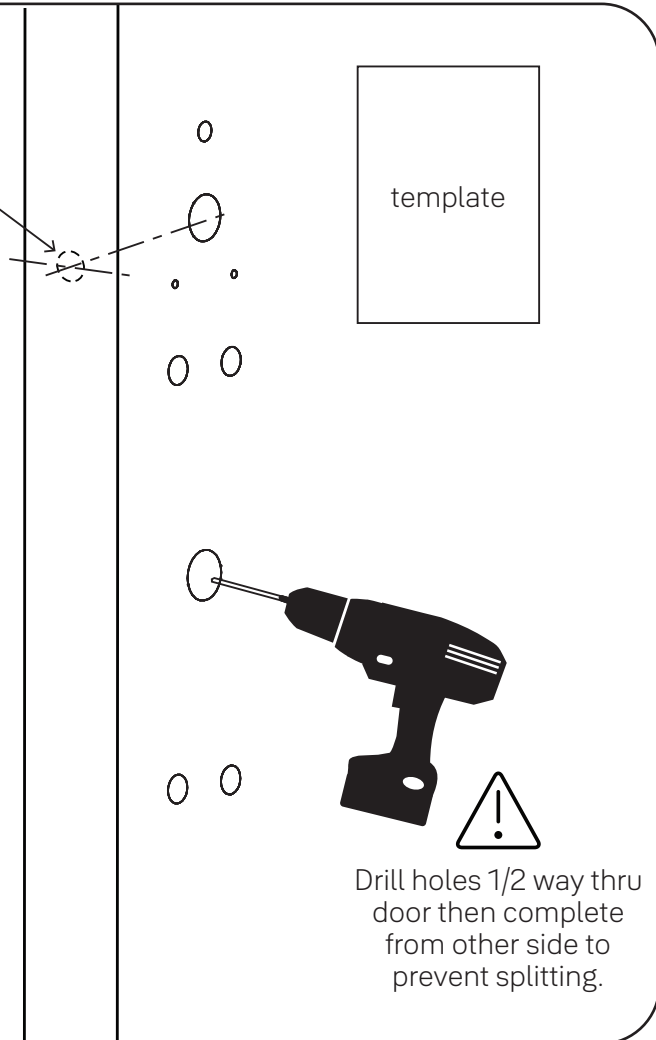
Wood Door:
3/8" Dia. Thru to Hole in Door Face

*Metal Door:
3/4" Dia. Thru to Hole in Door Face



***Metal Door Installations**

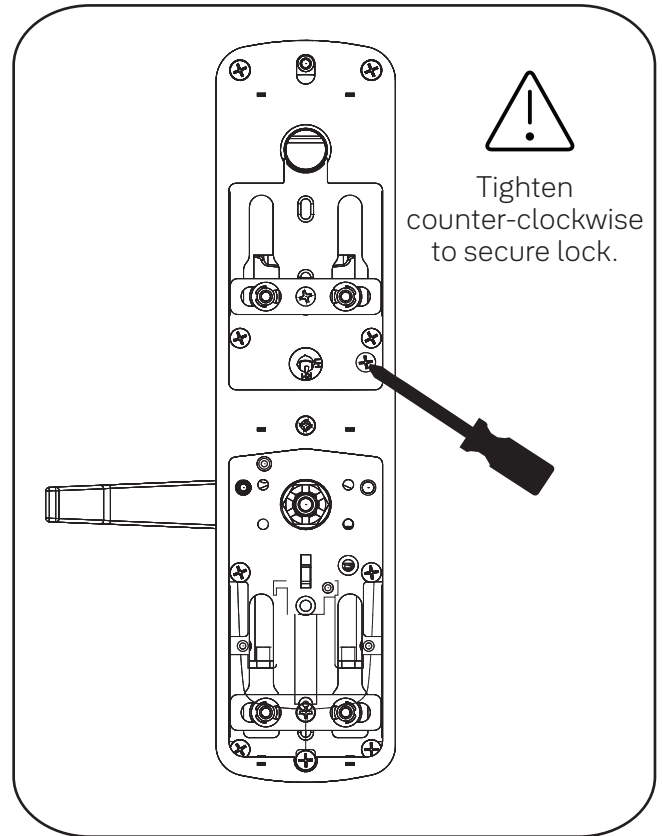
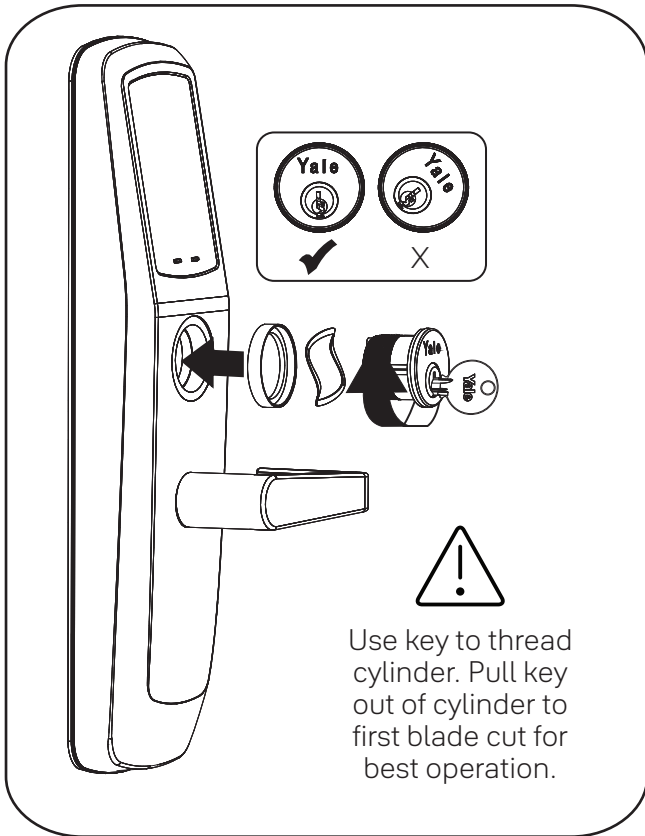
Supplied plastic collar MUST be installed for DPS to function properly.




Drill holes 1/2 way thru door then complete from other side to prevent splitting.

2

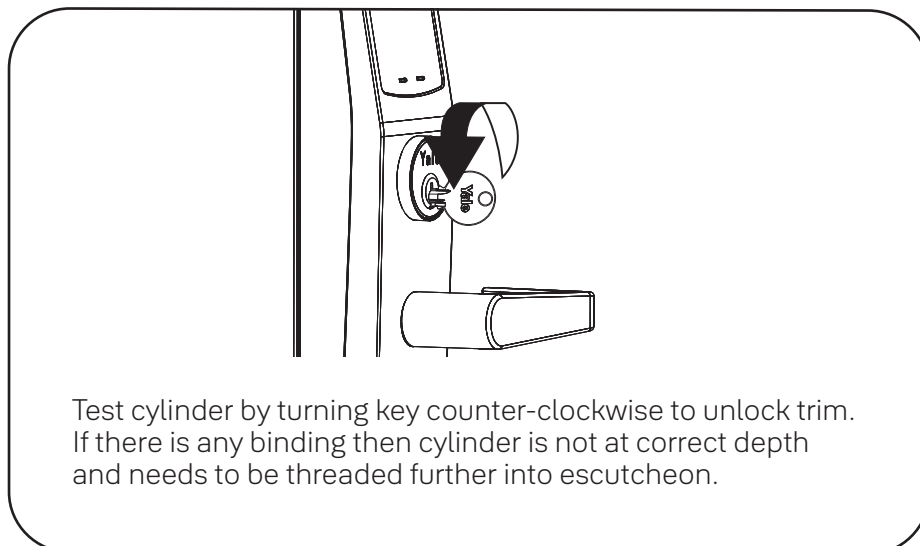
Install Cylinder



 If using cylinder other than 1-1/8", a new collar must be used that is sized appropriately for cylinder length.

Test

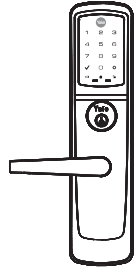
Test Cylinder



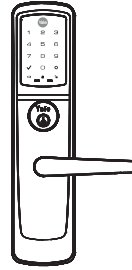
3



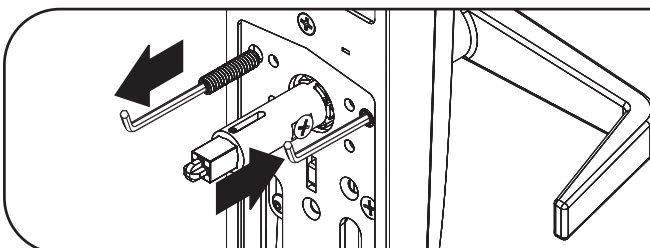
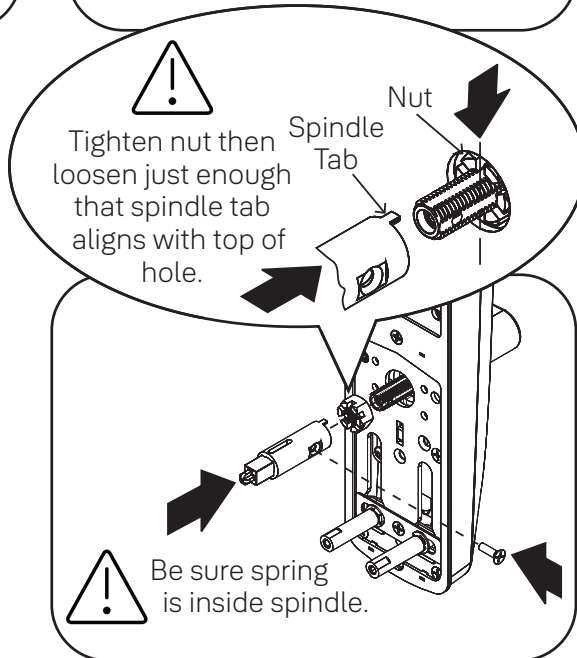
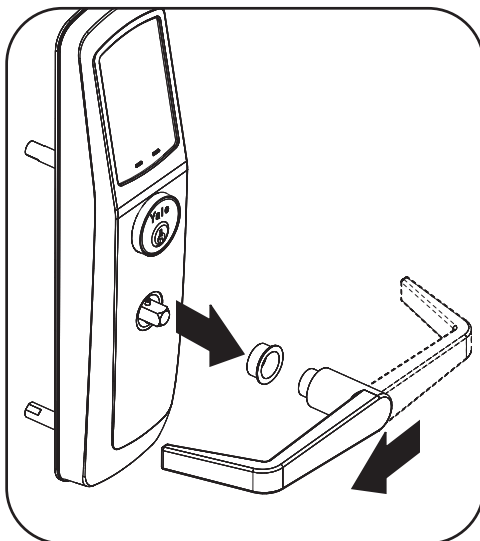
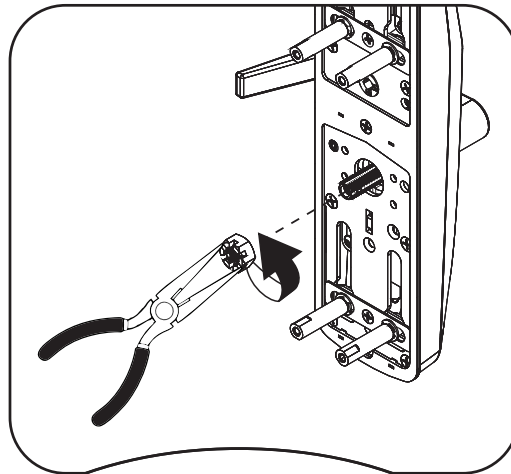
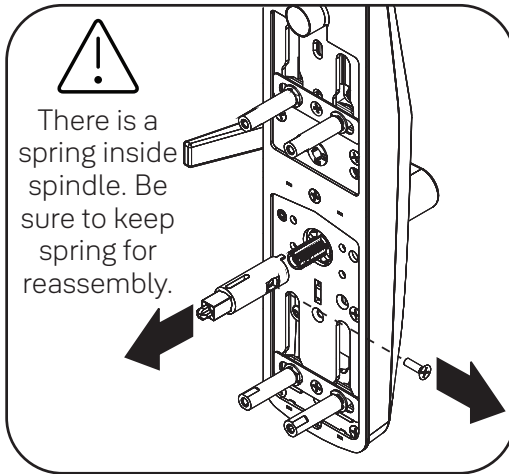
Change Hand of Trim (if necessary)



Left Hand Reverse



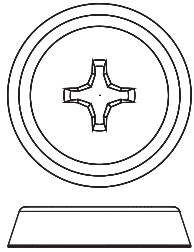
Right Hand Reverse



Set screw should be located on same side as lever arm.

4

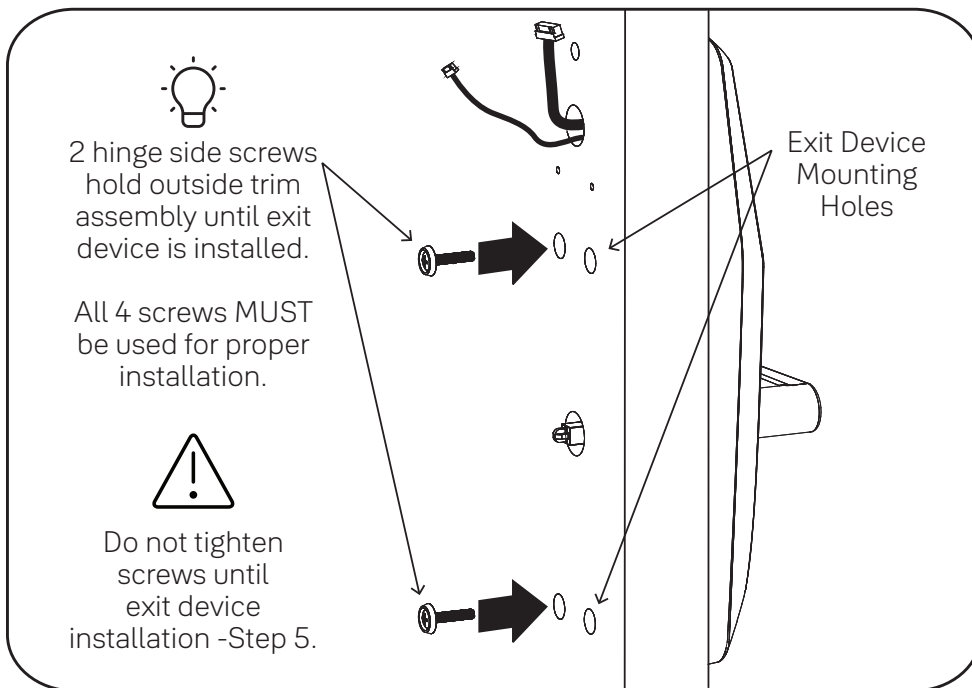
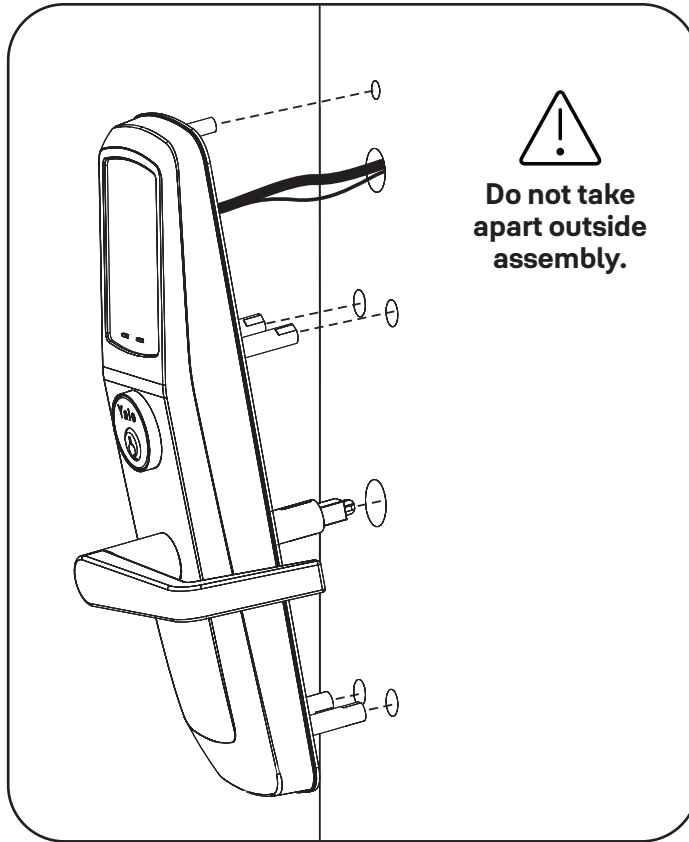
Install Outside Trim Assembly



#10-32 x 1" OHPMS

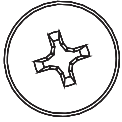


x2



5

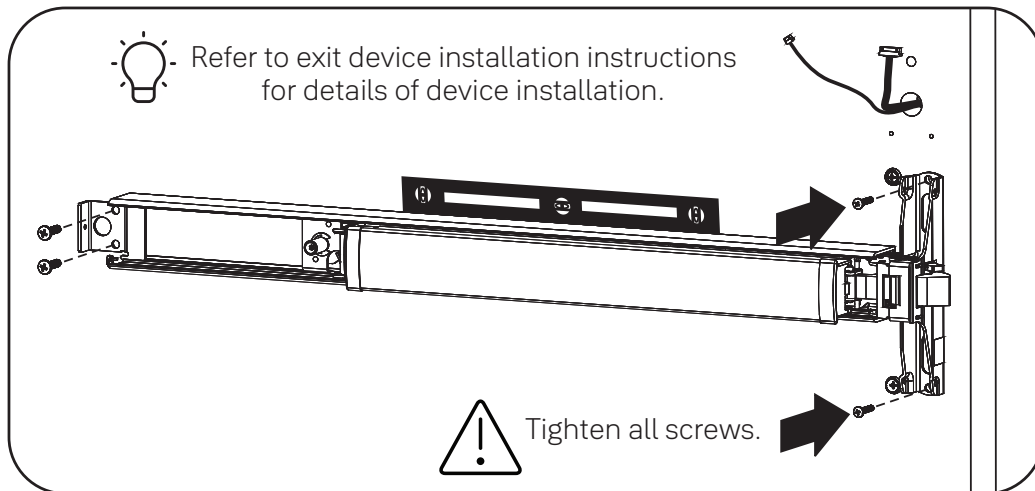
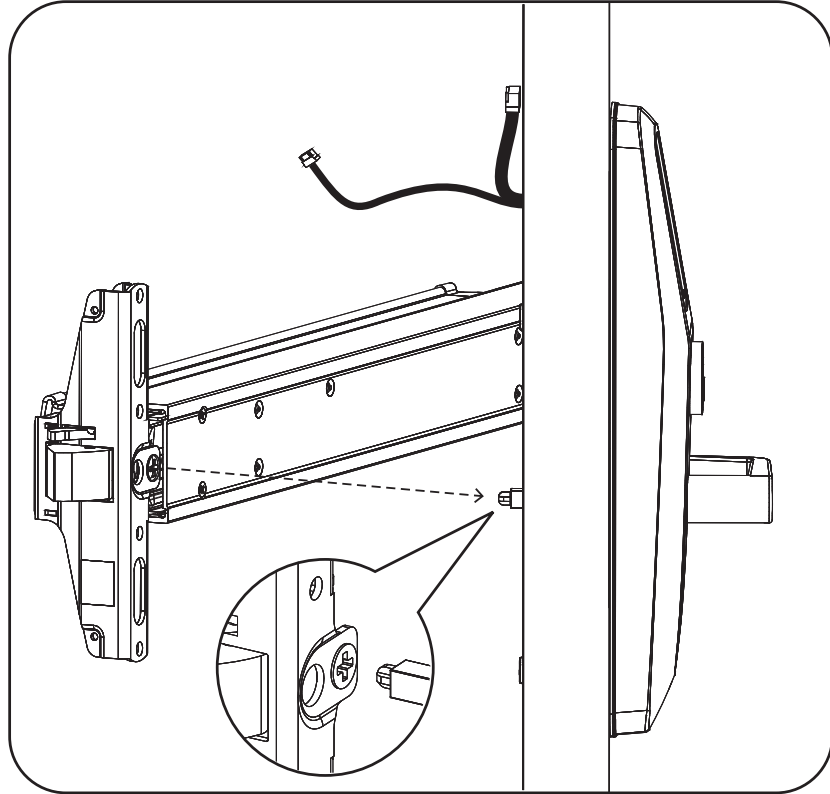
Install Exit Device



#10-32 x 1" PHMS



x2



Test Mechanical Lock Function by Key, Lever and Keypad

6

Install Strike and Optional DPS



#10-24 PFHMS



x3

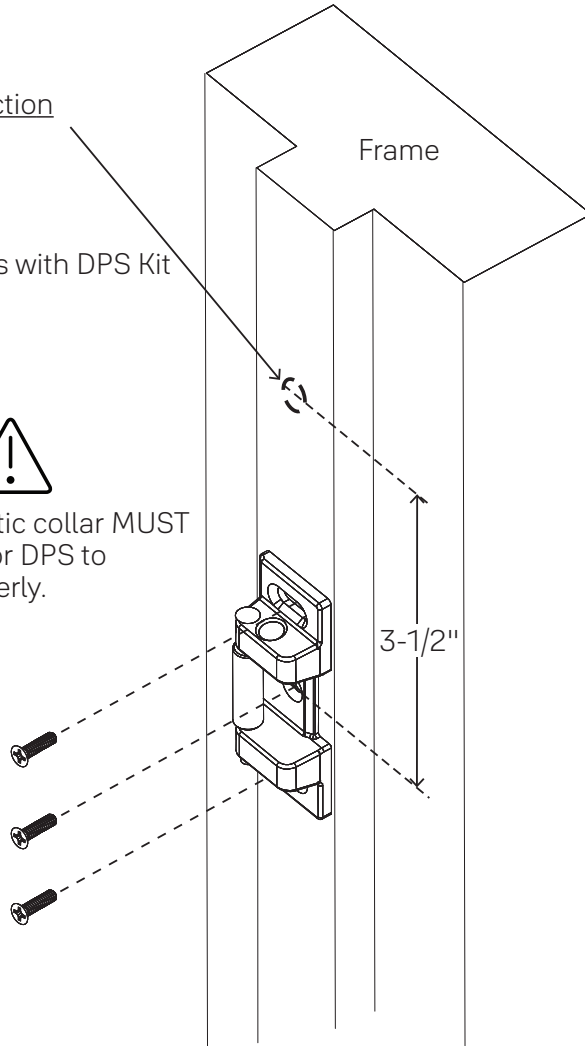
DPS Option
for Privacy Function

*Metal Frame:
3/4" Dia. x 1"

See Instructions with DPS Kit



*Supplied plastic collar **MUST**
be installed for DPS to
function properly.



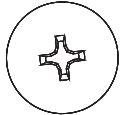
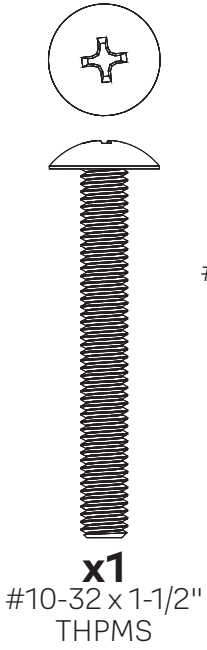
Strike must be centered with exit device bolt. For proper engagement, door should remain latched and not rattle when pushed, pulled or shaken in/out.



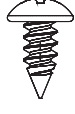
Refer to exit device installation instructions for details of strike installation.

7

Install Inside Mounting Plate



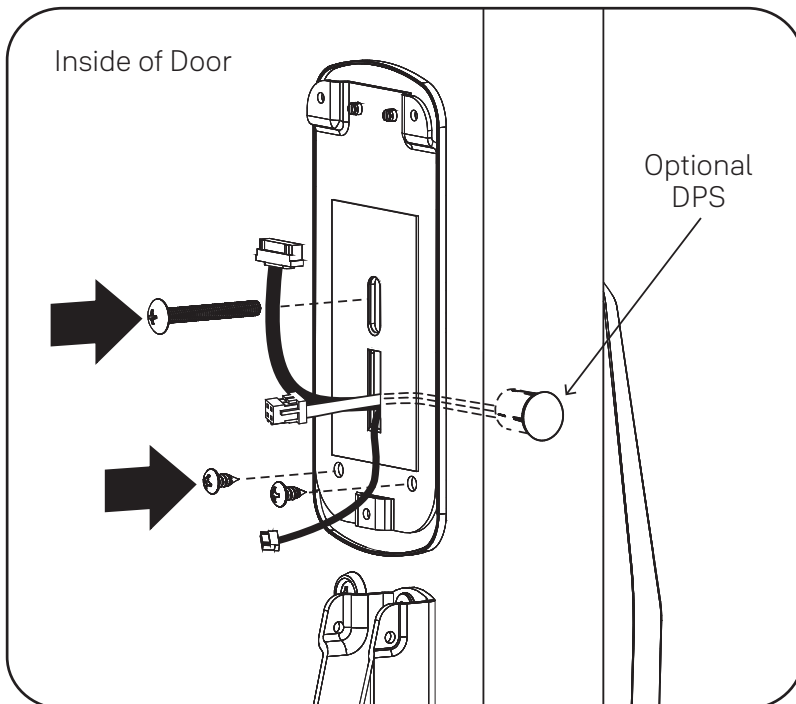
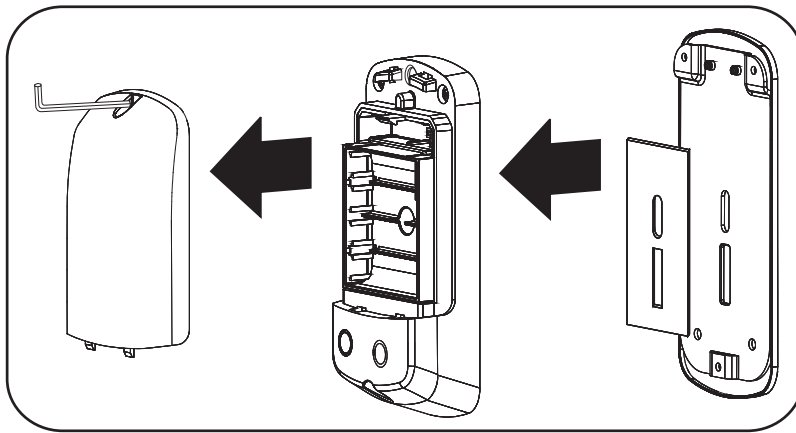
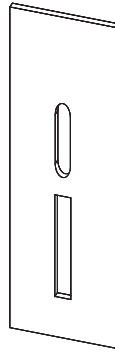
x2
#8 x 3/8" PRH
Sheet Metal

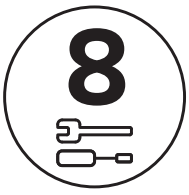


OR

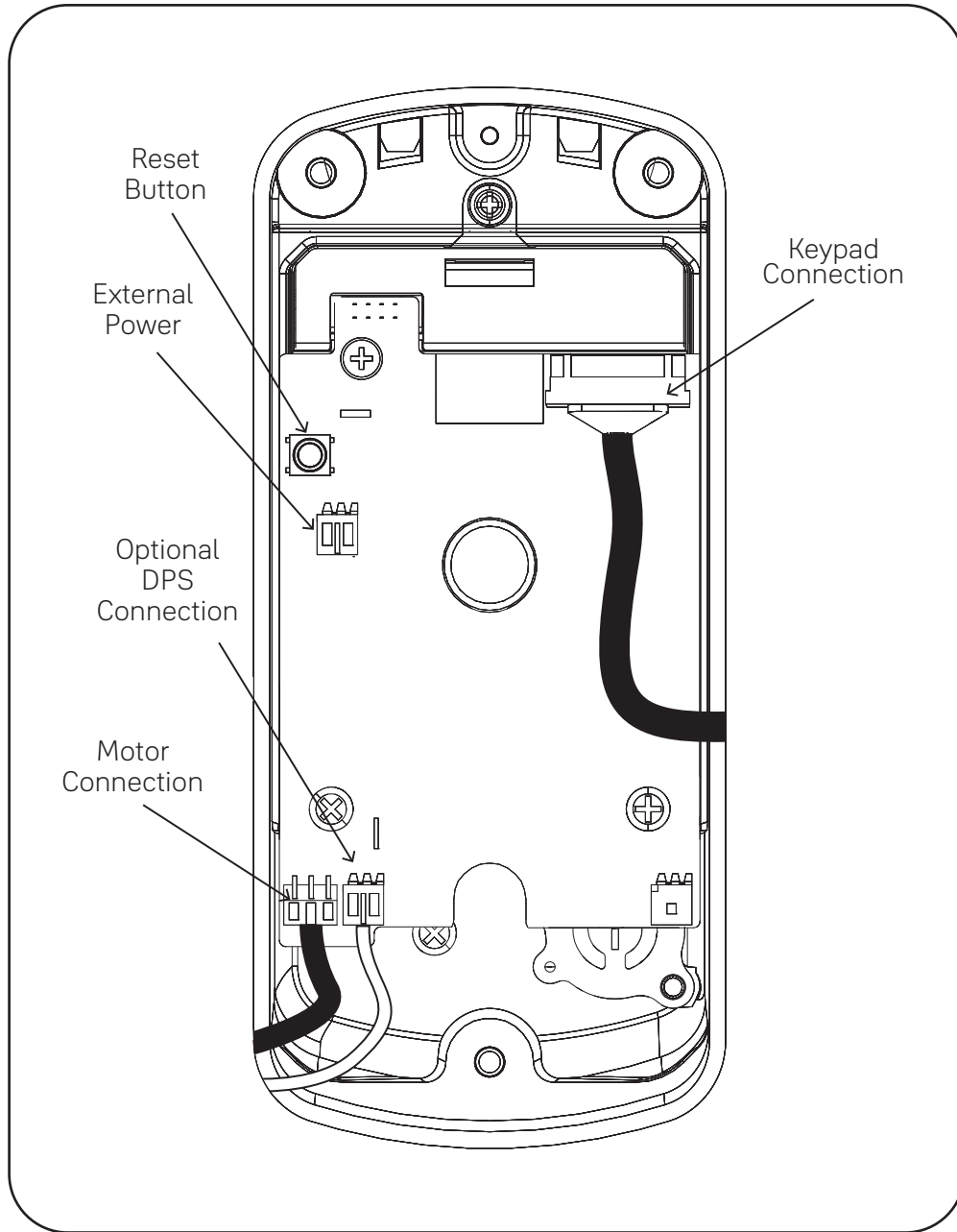


x2
#8 x 1/2" PHWS
Wood





Attach Cables to Inside Lock

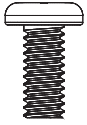


9

Install Inside Lock



#8-32 x 5/16" PHMS



x3

