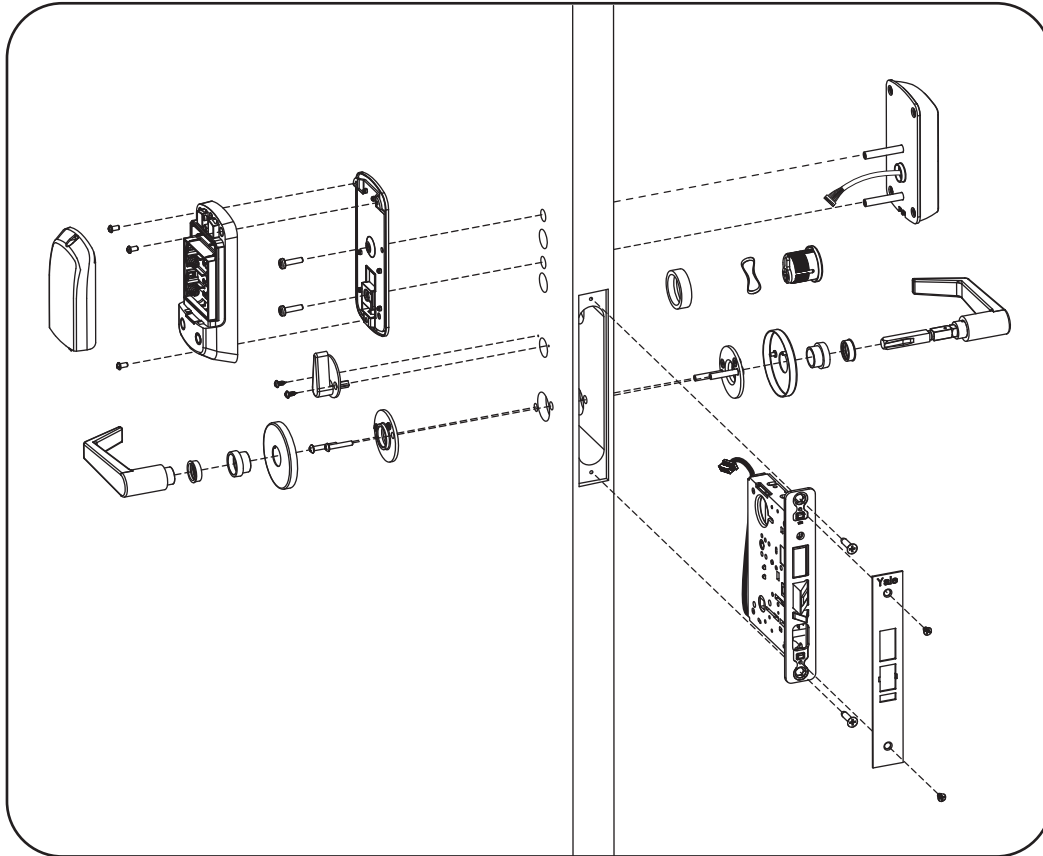




nexTouch™ Keypad Access Sectional Mortise Lock  
 Touchscreen and Push Button  
 Installation and Programming Instructions

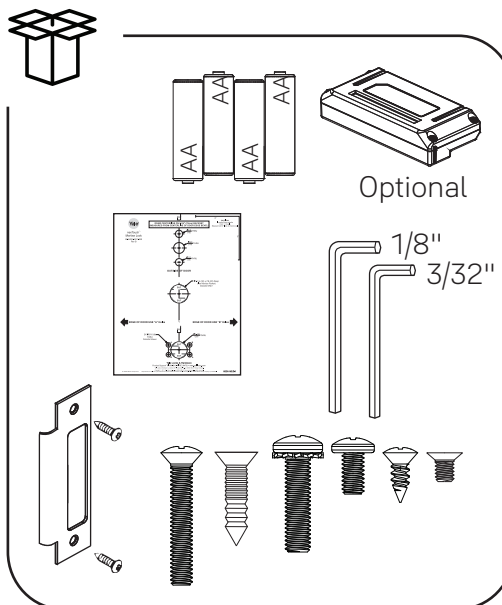


**WARNING**

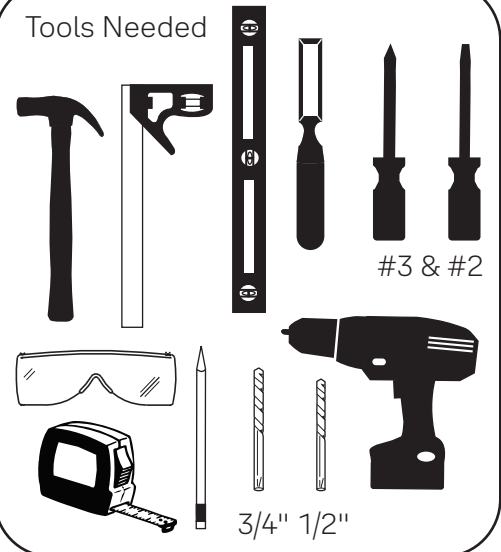
This product can expose you to lead which is known to the state of California to cause cancer and birth defects or other reproductive harm. For more information go to [www.P65warnings.ca.gov](http://www.P65warnings.ca.gov).

08/2018

Retrofitting or modifying this product may impact fire rating, safety features and warranty. Consult with code specifications to ensure compliance with all codes and ratings.



Tools Needed

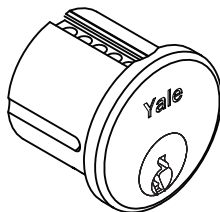
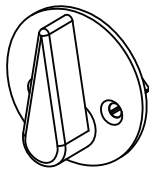
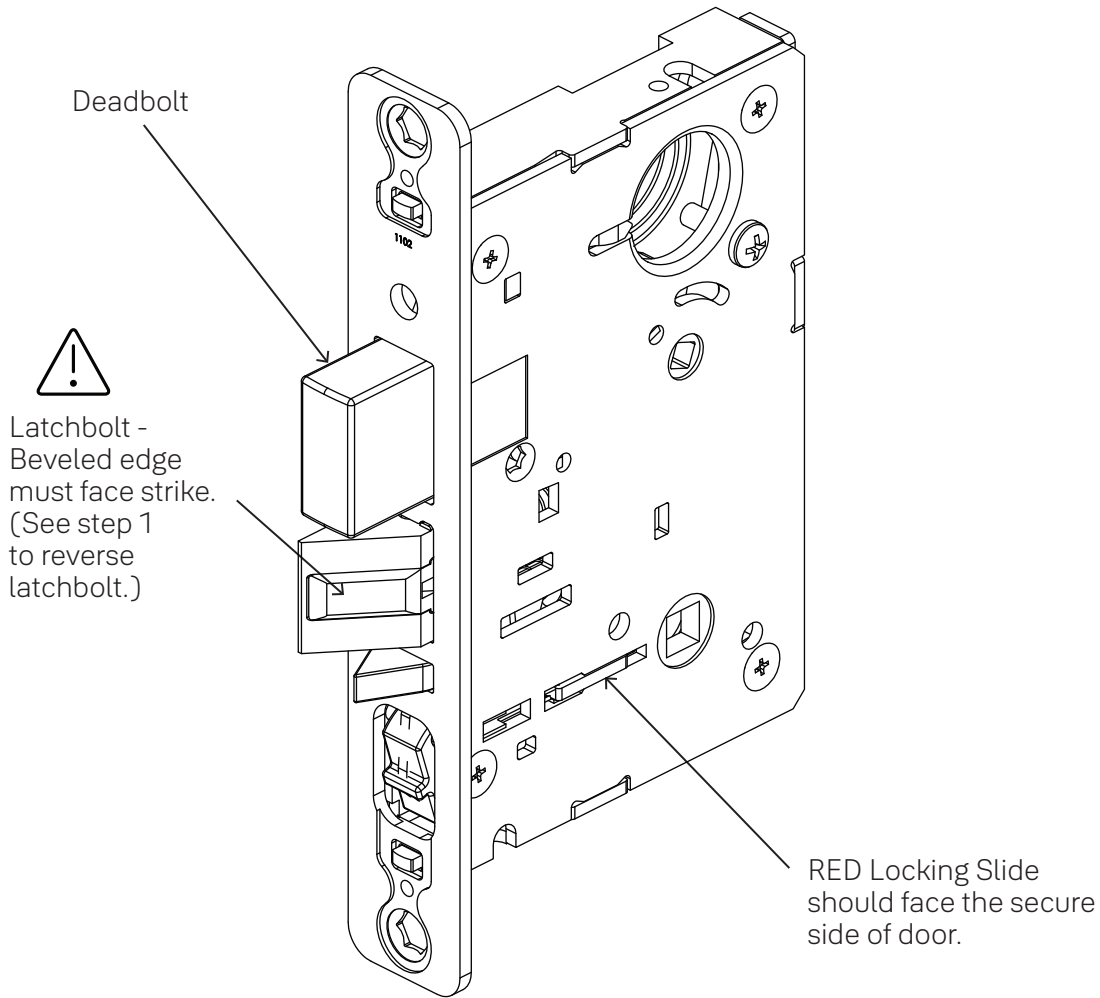




# Determine Handing



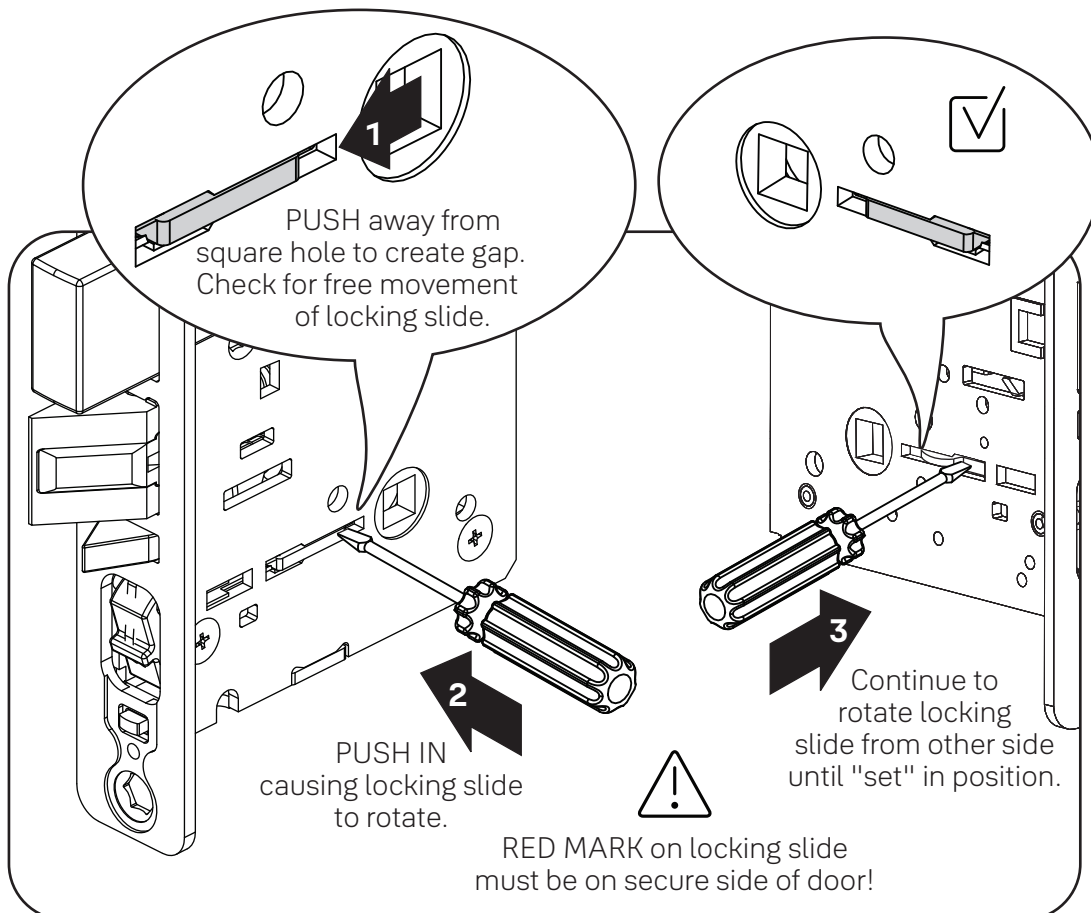
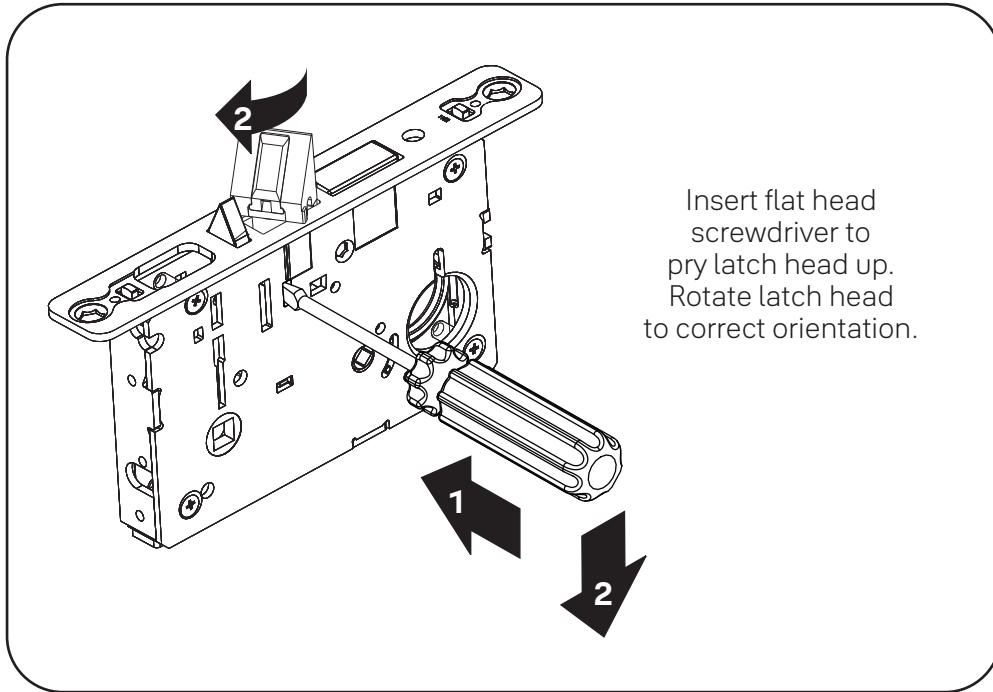
The hand of a door is determined from the secure side of the door. The term "secure" means the side from which you unlock and enter.



Key cylinder used for cylinder option installation. Thumbturn used when mortise lock is equipped with deadbolt.

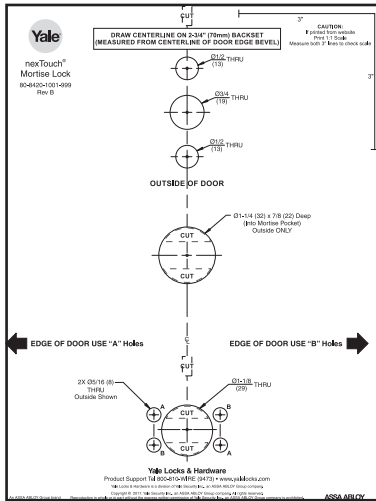
**1**  


# Hand Latchbolt & Hubs (If Necessary)



# 2

## Prepare Door



Outside of Door



Mortise Key Cylinder Hole:  
Drill only 1/2 way into door ONLY if lock is equipped with cylinder.

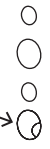


Drill thru holes 1/2 way thru door then complete from other side to prevent splitting.

Inside of Door



Mortise Lock Cable Hole:  
Drill only 1/2 way into door (7/8" depth) then STOP!



Mortise Deadbolt Thumbturn Hole:  
Drill only 1/2 way into door ONLY if lock is equipped with deadbolt.

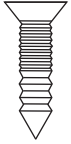


# 3

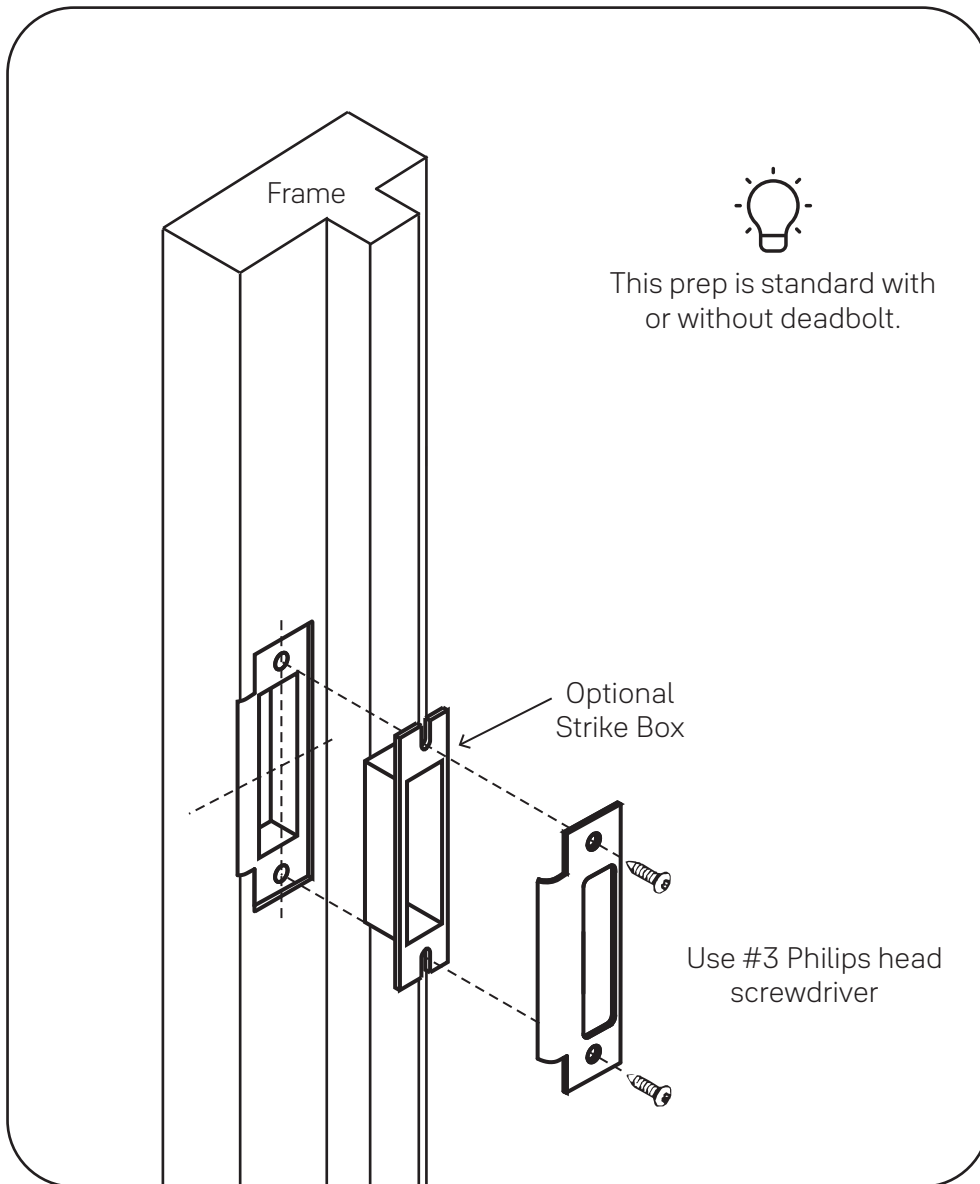
## Prepare Frame & Install Strike



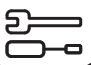
#12-24x1" Flat Head Combo Screw



x2



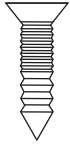
# 4



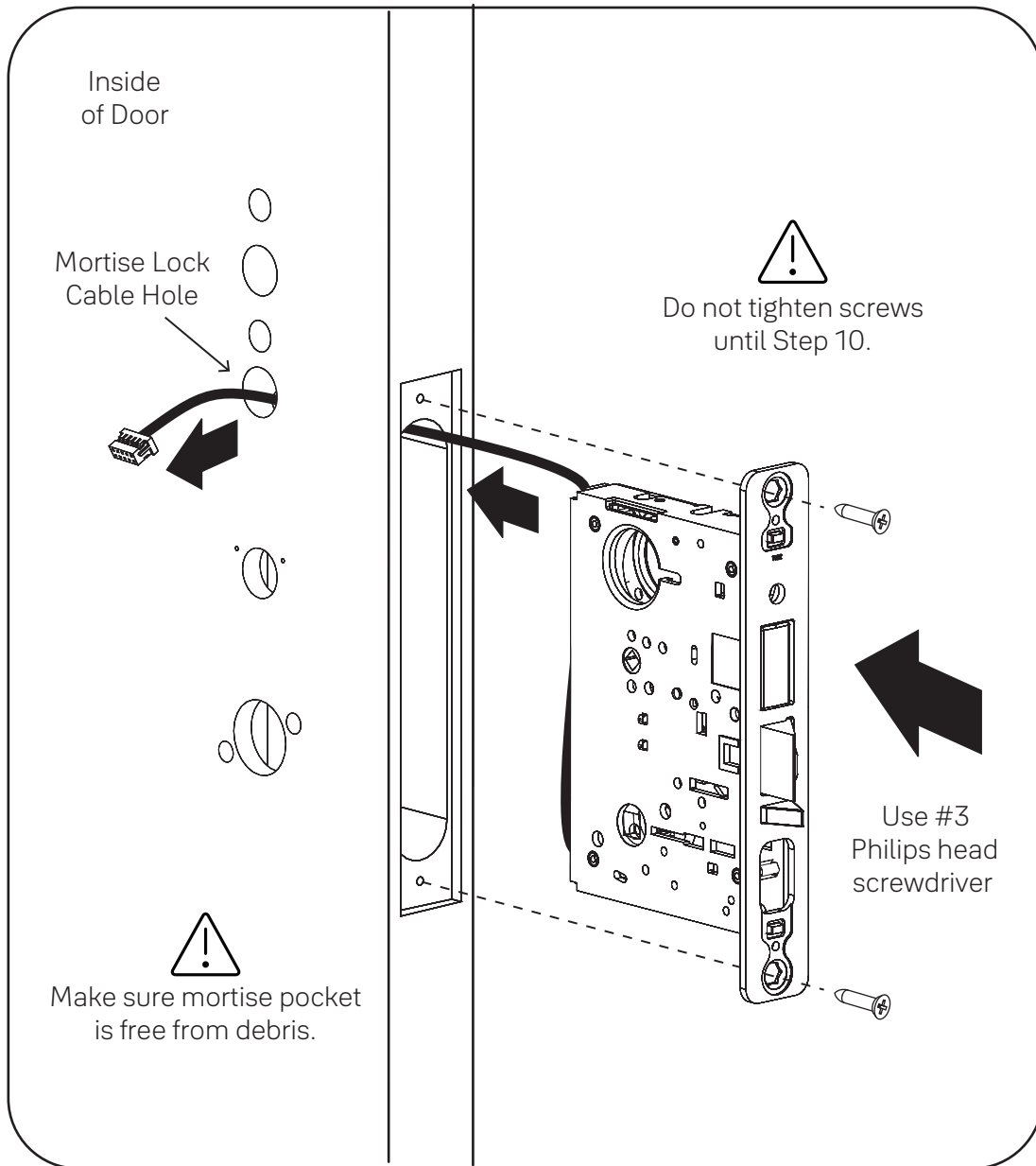
## Install Mortise Lock




#12-24x1" Flat Head Combo Screw

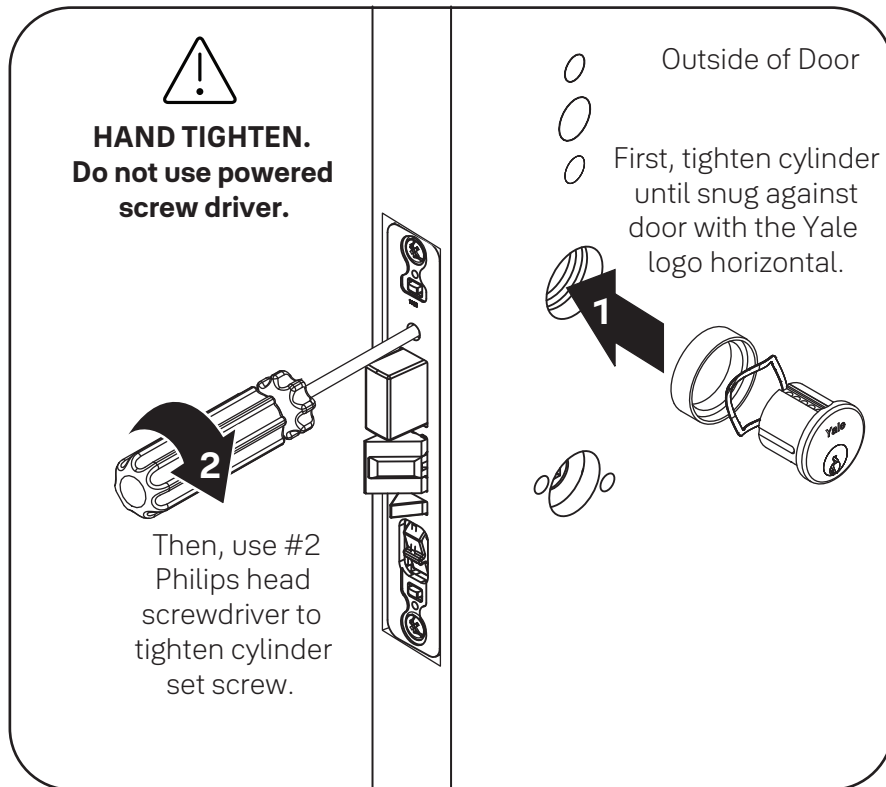
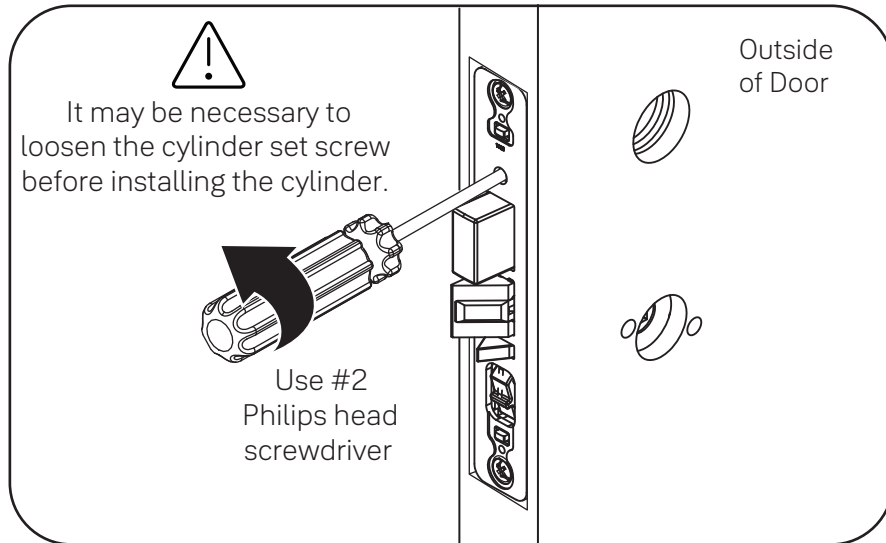



x2



**5**  


# Install Key Cylinder (if applicable) For Cylinder Option ONLY




 Test Operation

# 6

## Install Rose Trim - all types

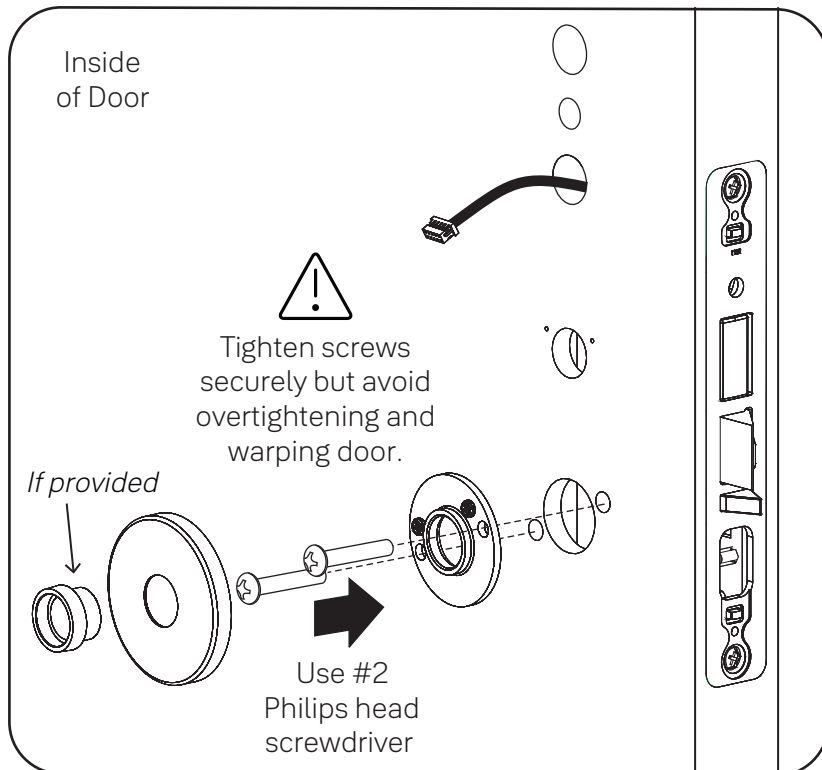
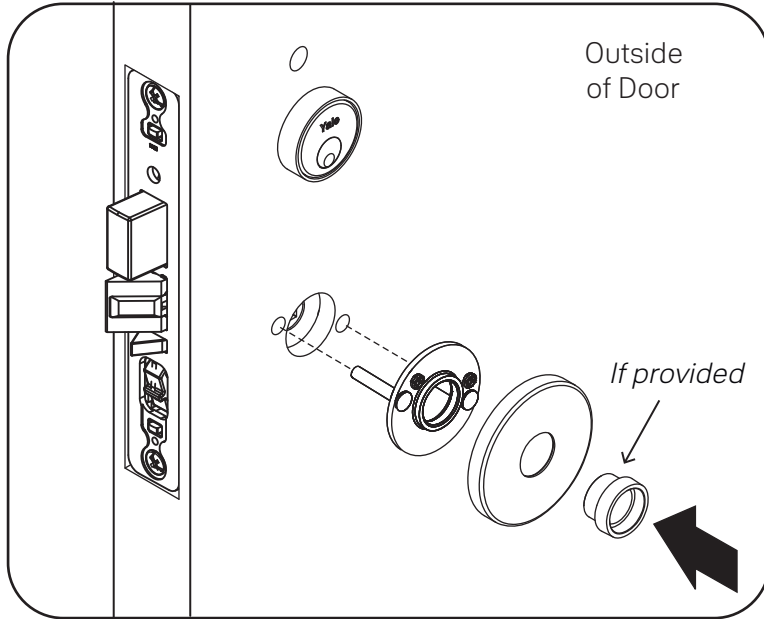
Adjusting for 1-3/4" to 2-1/4" Door (if necessary)

 Use screw pack for thicker door at this step.  
Use appropriate fastener lengths to ensure proper installation.



x2

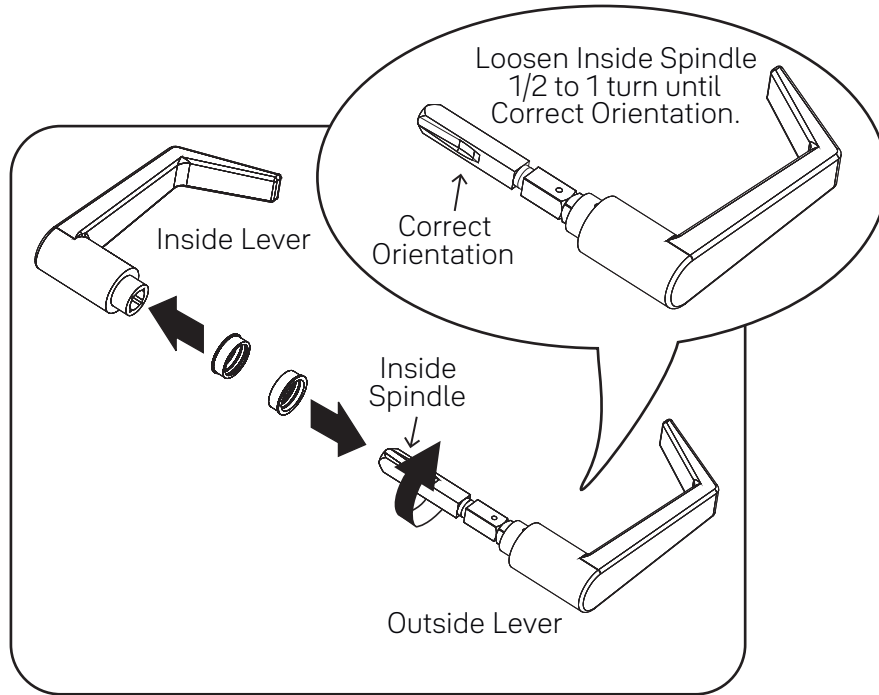
#8-32x1"  
Pan Head Screw  
with Thread Locker  
(For 1-3/4" Door)





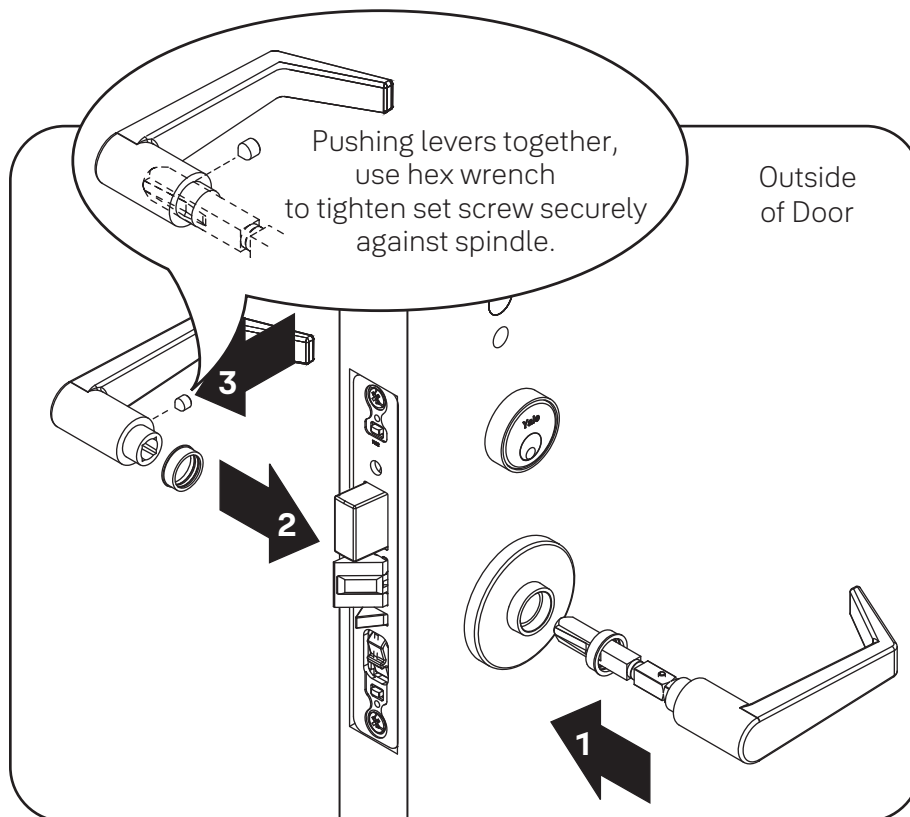
# 7

## Prepare Levers



# 8

## Install Levers



# 9



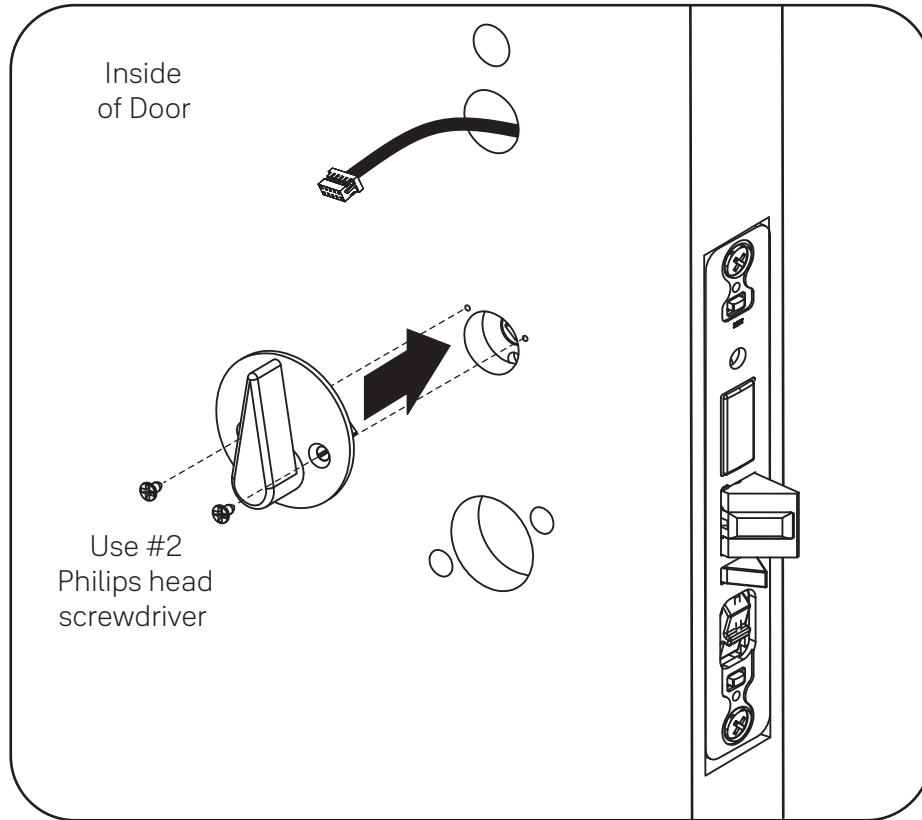
## Install Thumbturn (if applicable) For Deadbolt Option ONLY



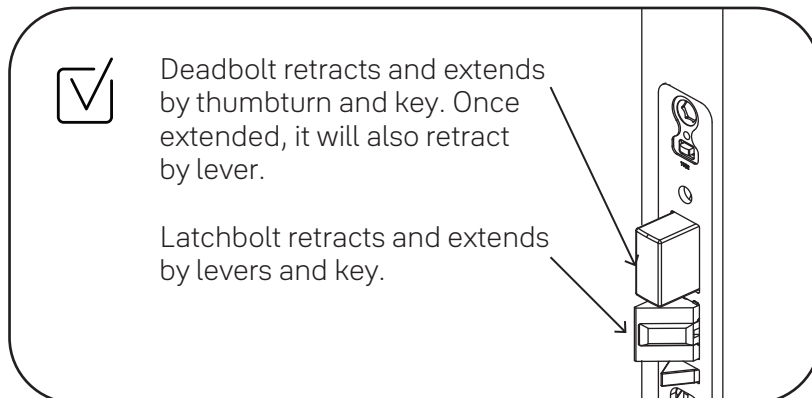
#6x3/8" Oval Head Screw



x2



## Test Operation



# 10

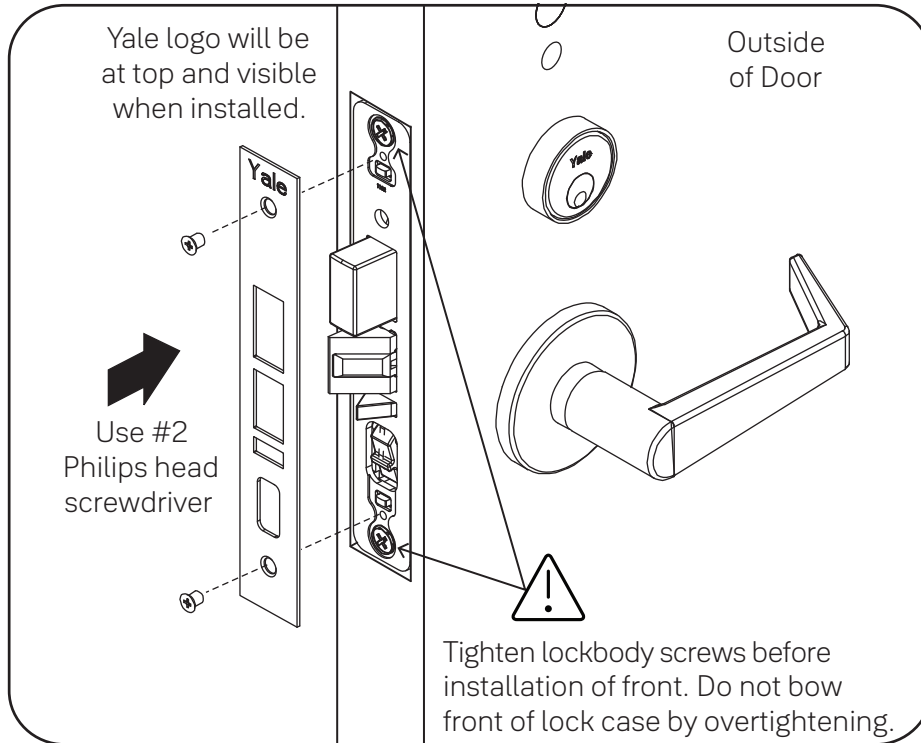
## Install Armor Front



8x32-1/4" Flat Head Screw



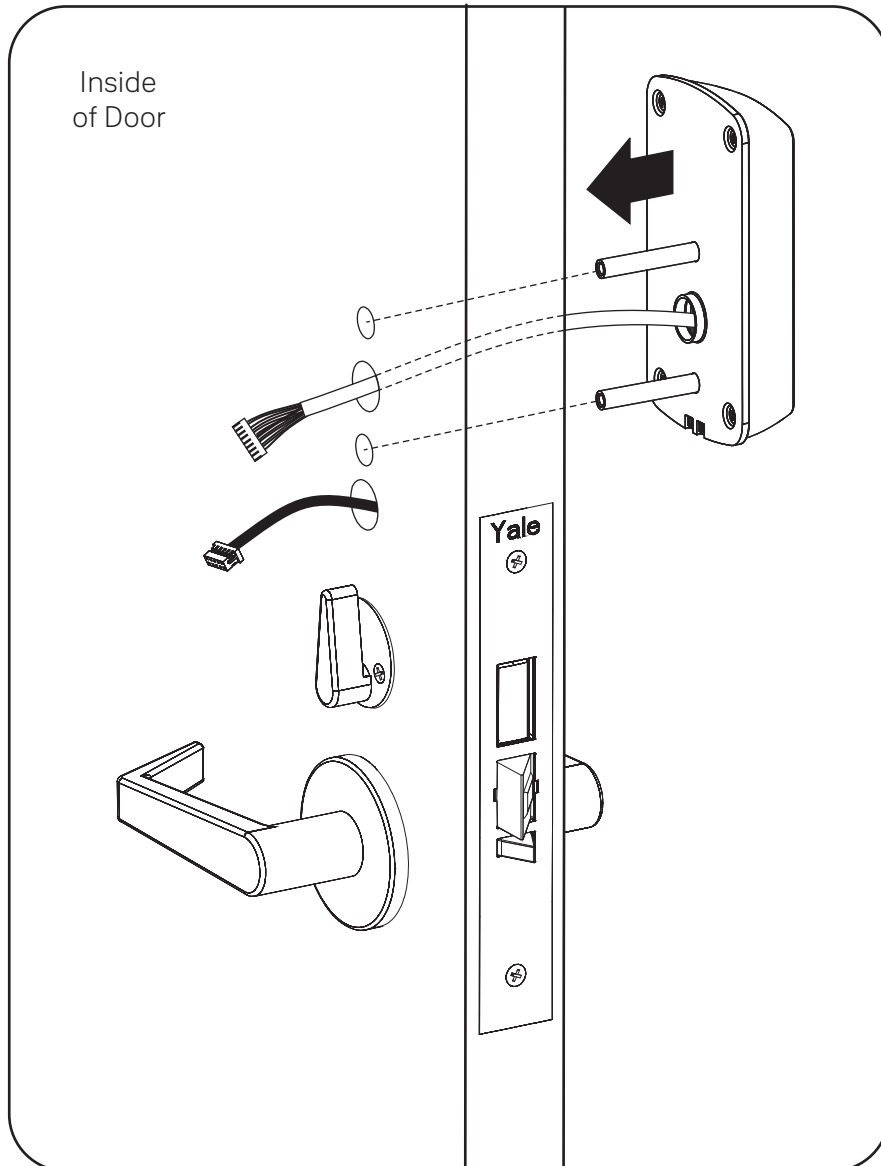
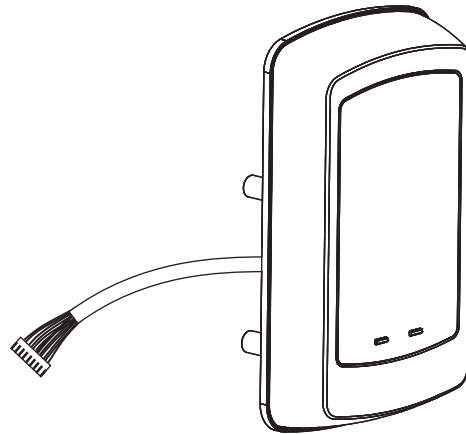
x2



## Test Operation Again

11

# Install Keypad



# 12

## Install Inside Mounting Plate



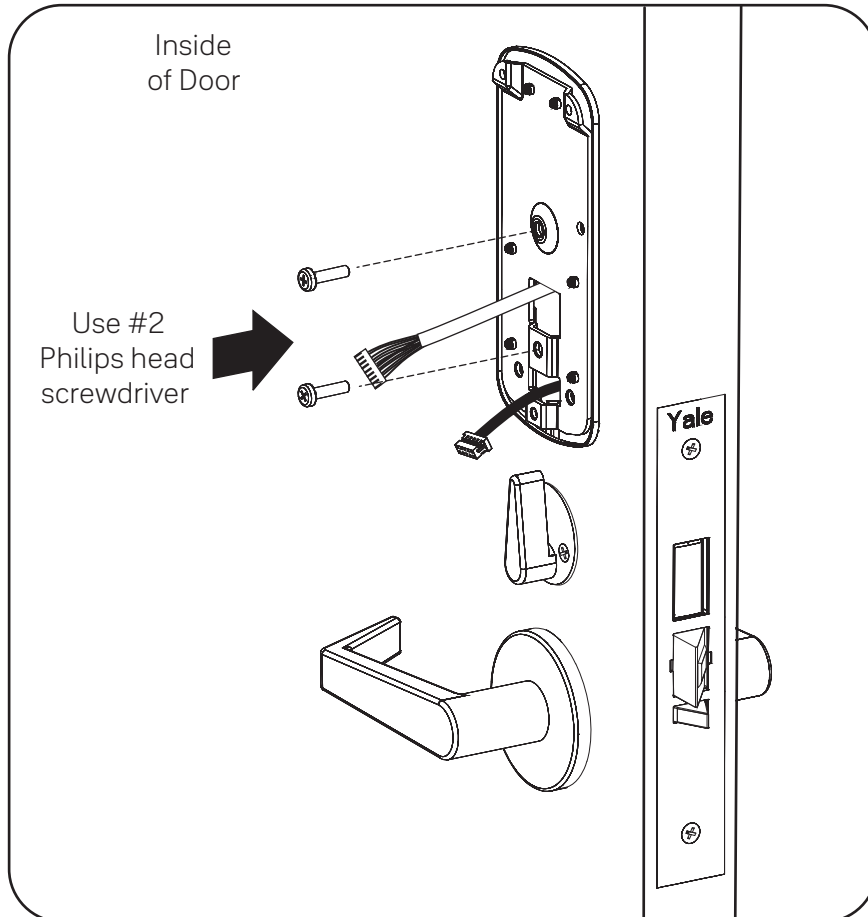
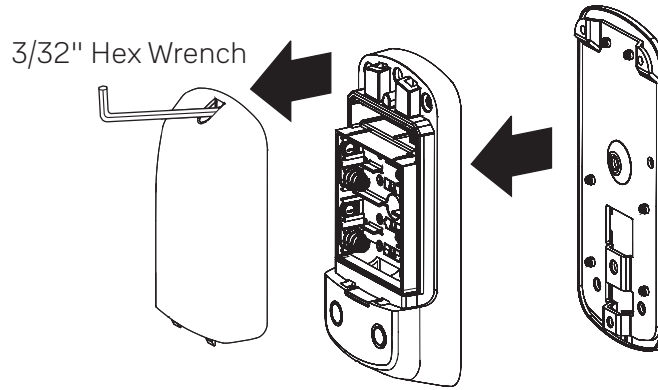
#10-32x3/4" Pan Head Screw with Washer  
(For 1-3/4" Door)



x2

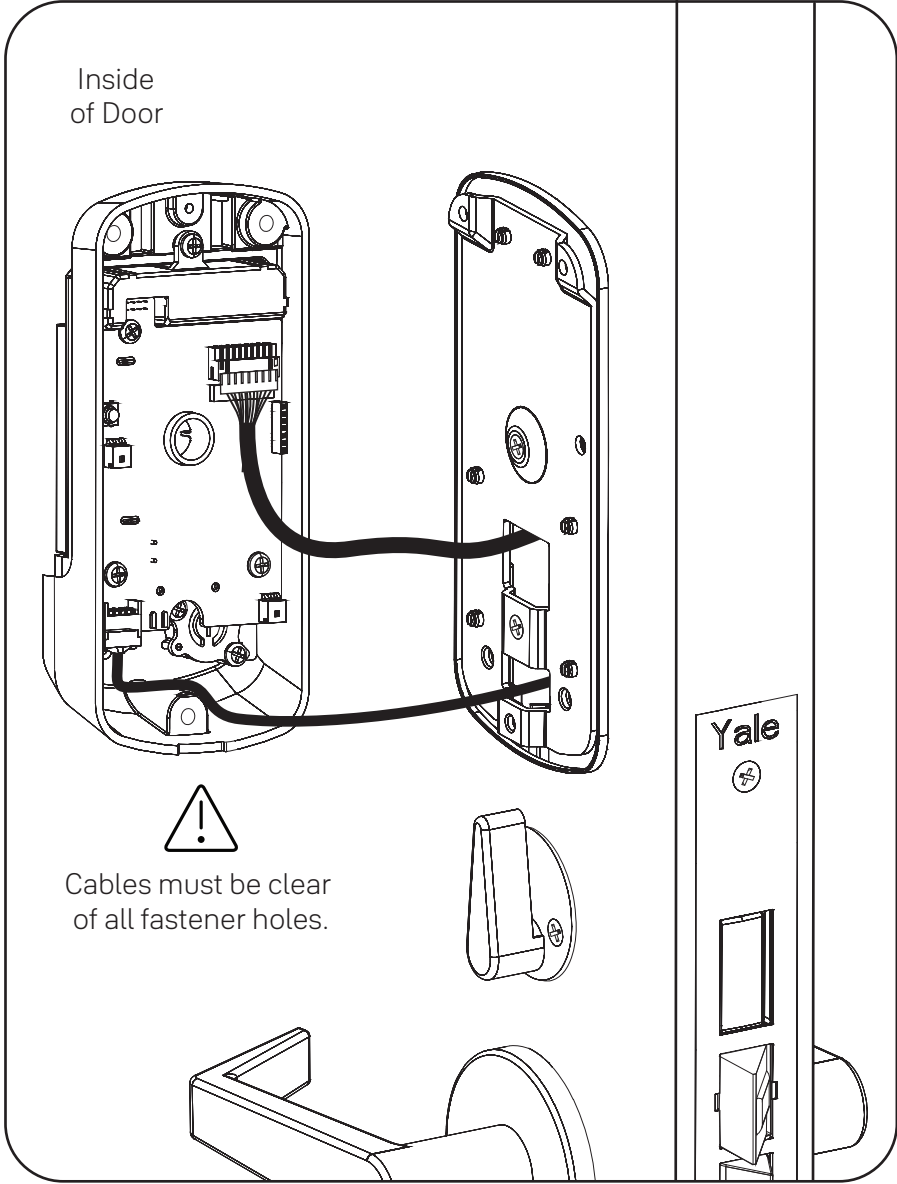


Choose fasteners appropriate for your door thickness.



# 13

## Attach Cables to Inside Lock



# 14

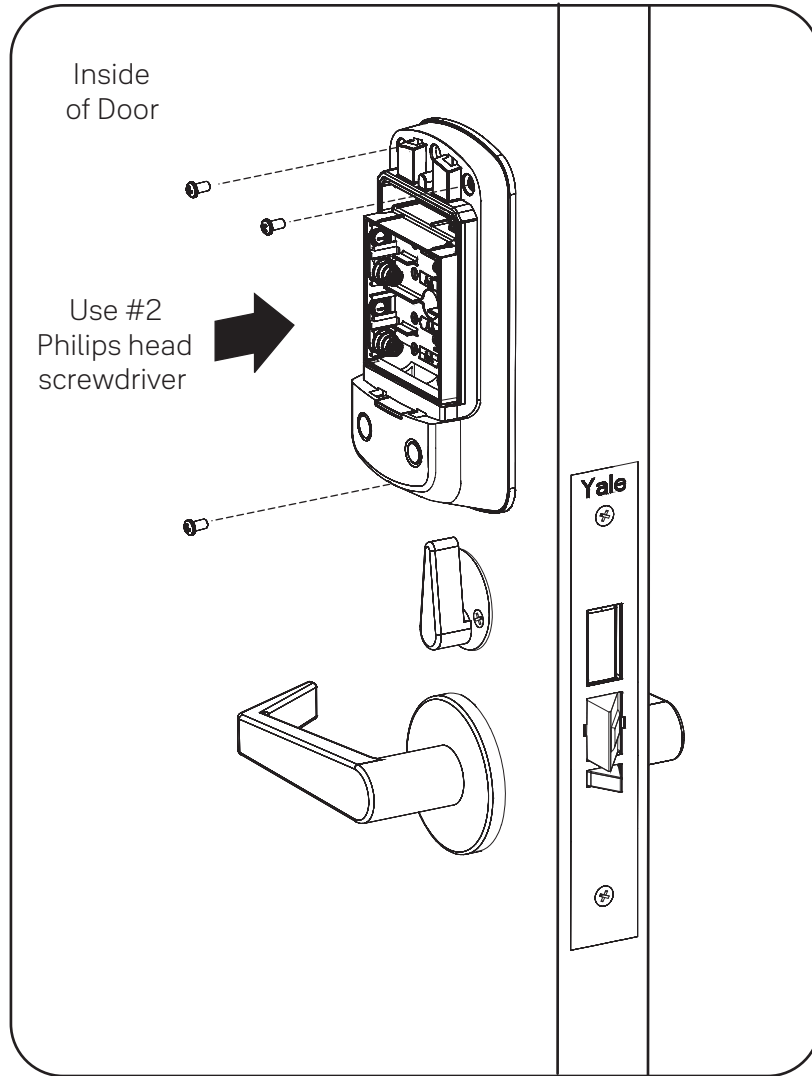
## Install Inside Lock



#8-32x3/8" Pan Head Screw (Black)

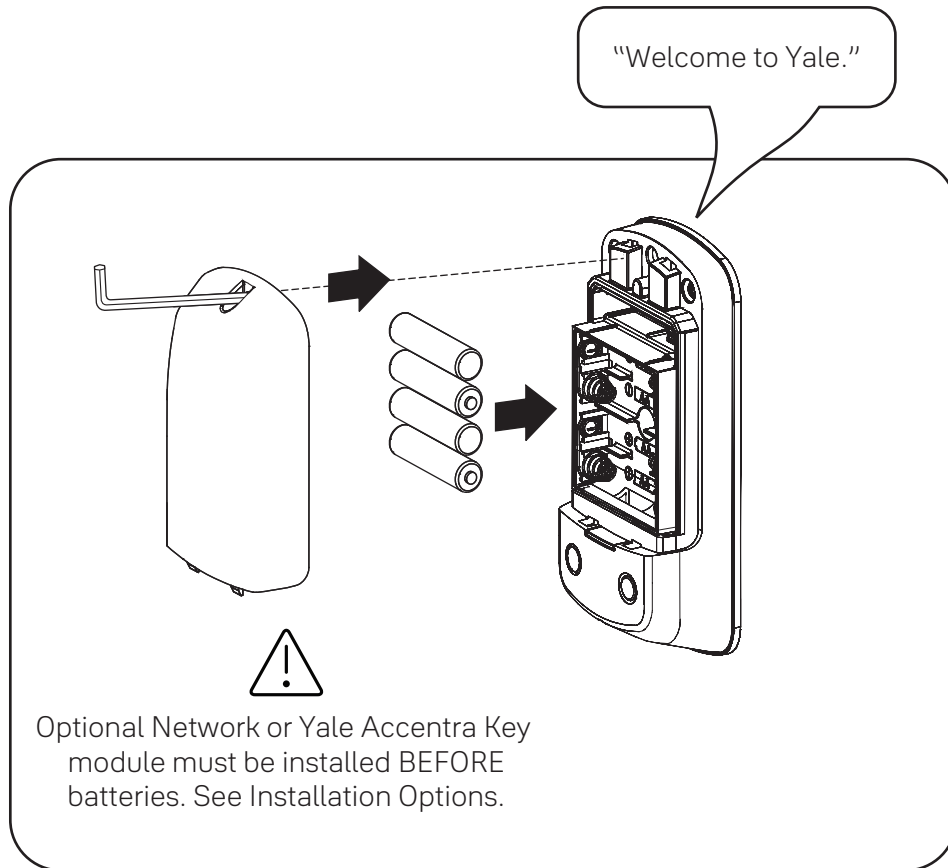


x3



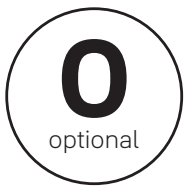
# 15

## Install Batteries & Cover



Congratulations, you've installed the  
Yale nex**Touch**™ Keypad Access Sectional Mortise Lock!  
Continue to customize your product.





# Installation Options

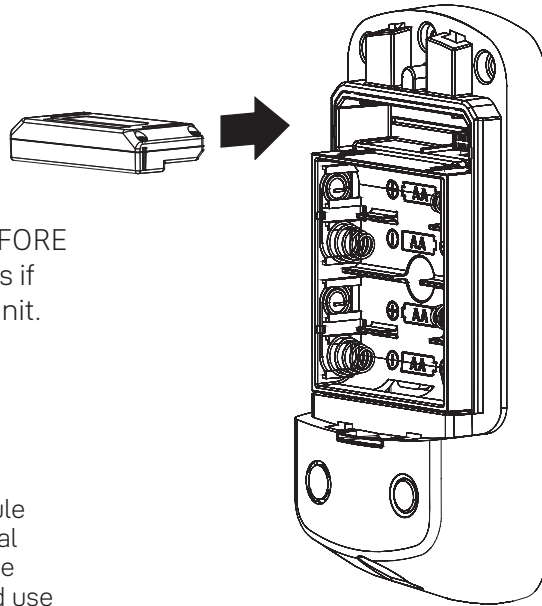
## Network or Yale Accentra Key Module



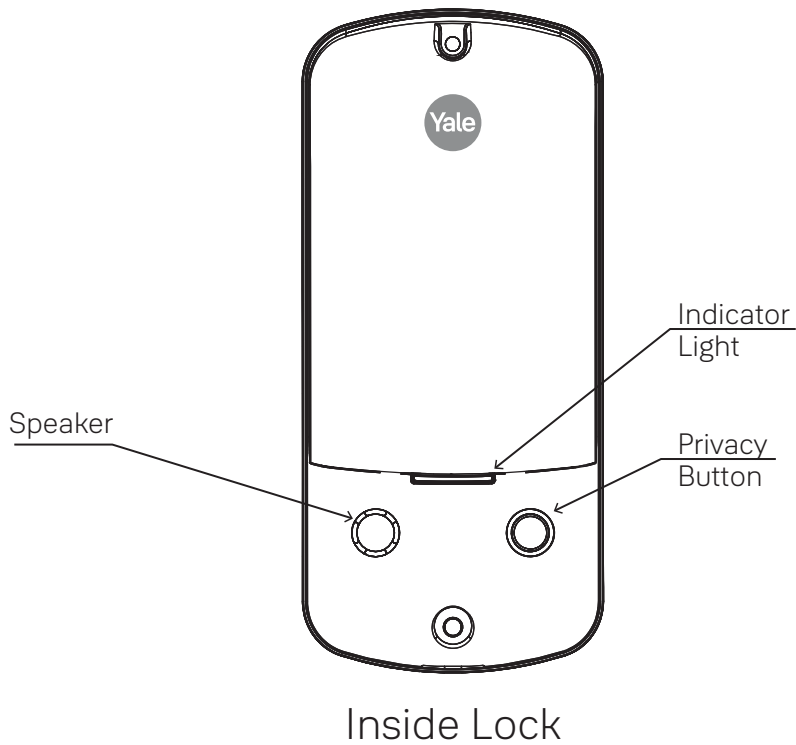
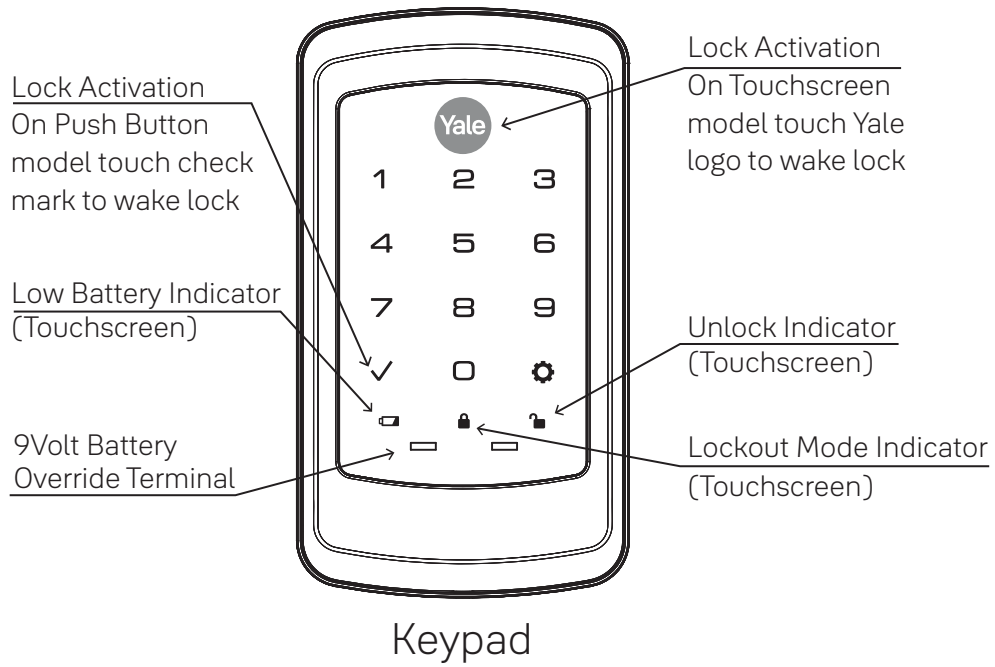
Module must be installed BEFORE batteries. Remove batteries if adding module to existing unit.



The Yale Accentra Key module enables access with physical (cards and fobs) and mobile credentials ONLY. Creation and use of User PIN codes are disabled.



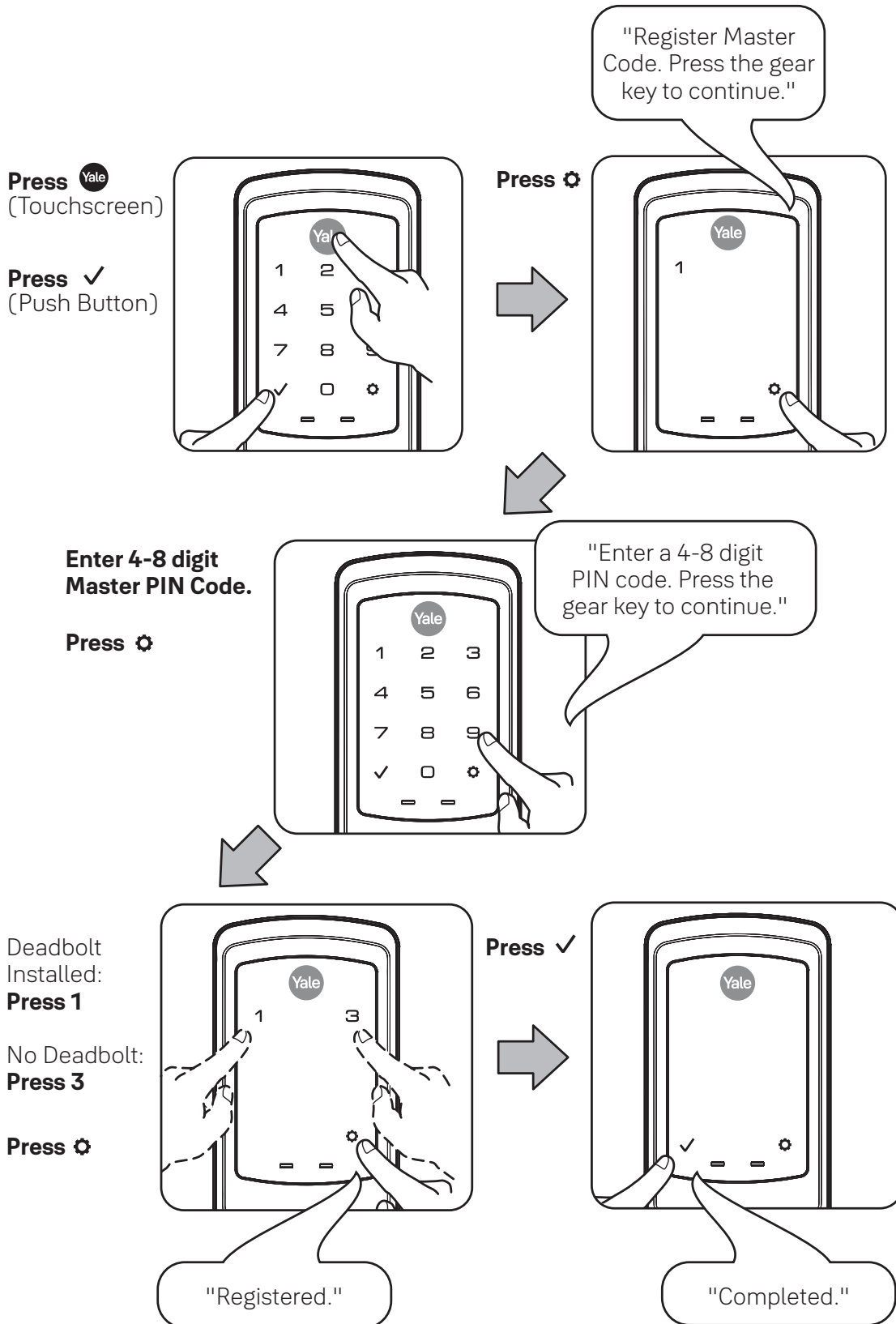
# Programming Instructions



# 1

## Creating Master PIN Code

Creating a Master PIN Code must be performed upon installation or after resetting the lock to factory default. Programming and use of lock is not possible until this step has been successfully completed.



# 2<sub>a</sub>

## Creating User PIN Codes

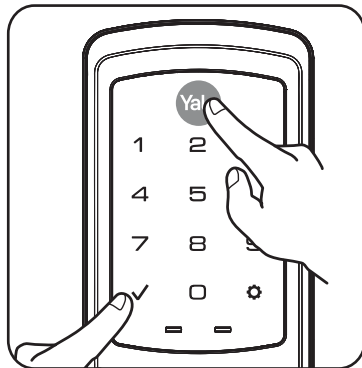
Master PIN code must be created first.


\*Max User Codes = 100 without Network Module / 500 with Network Module

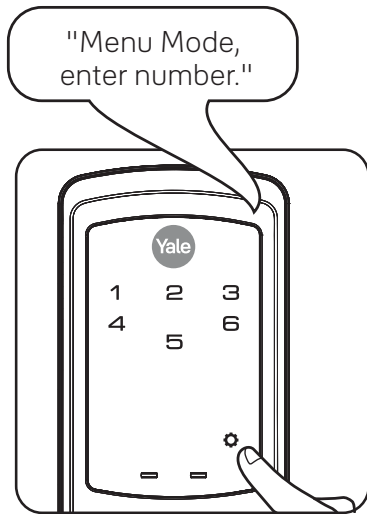
**The Yale Accentra Key module enables access with physical (cards and fobs) and mobile credentials ONLY. Creation and use of User PIN codes are disabled.**

Press   
(Touchscreen)

Press   
(Push Button)

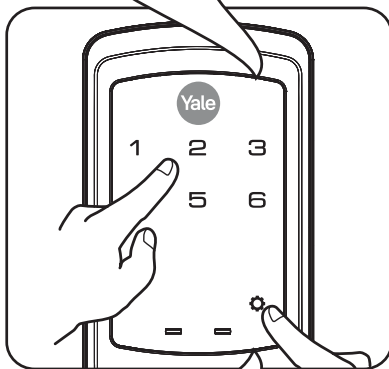


Enter  
Master  
PIN code  
Press 



"Register \*User code.  
Press the gear key  
to continue."

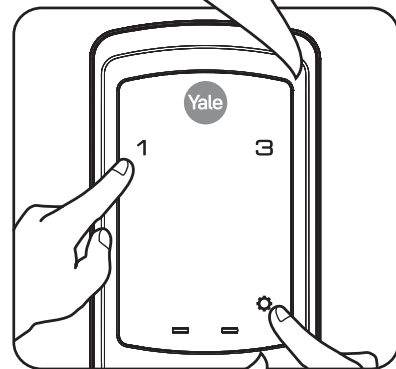
Press 2  
Press 



"Press 1 to  
register a code."

"Register User code.  
Press the gear key  
to continue."

Press 1  
Press 

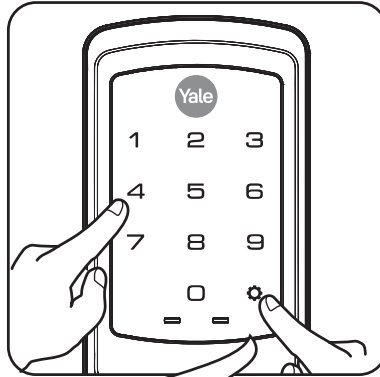


"PIN code registration.  
Enter a 4-8 digit PIN code.  
Press the gear key  
to continue."

# 2<sub>b</sub>

## Creating User PIN Codes can't

Enter 4-8 digit PIN code followed by ⚙

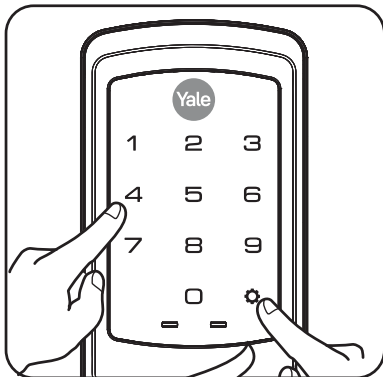


"Registered.  
Press the check key to complete. Press the gear key to continue."



Adding more User Codes:

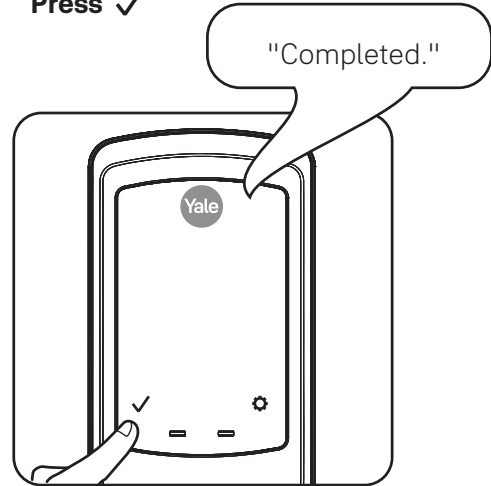
Press ⚙  
Enter 4-8 digit PIN code  
Press ⚙



"Registered.  
Press the check key to complete. Press the gear key to continue."

To end programming:

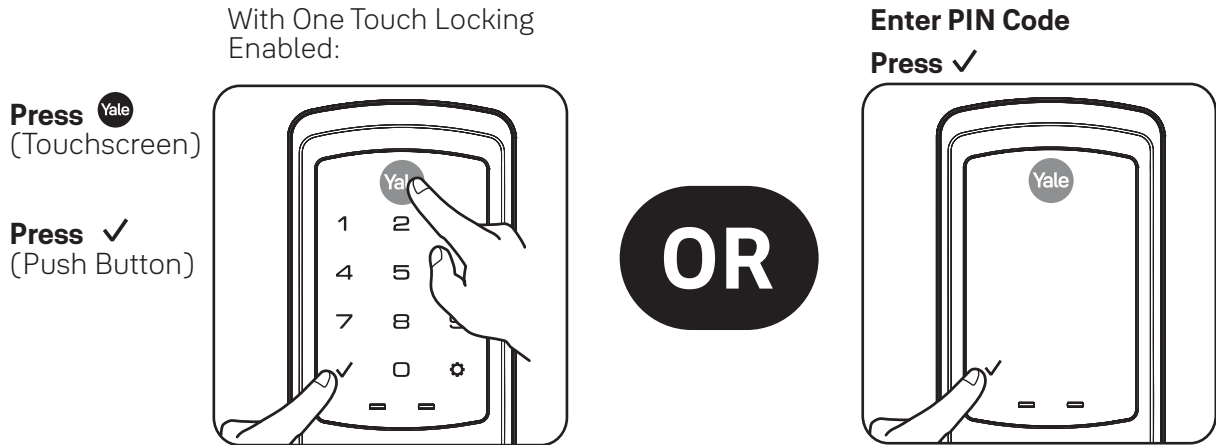
Press ✓



# 3

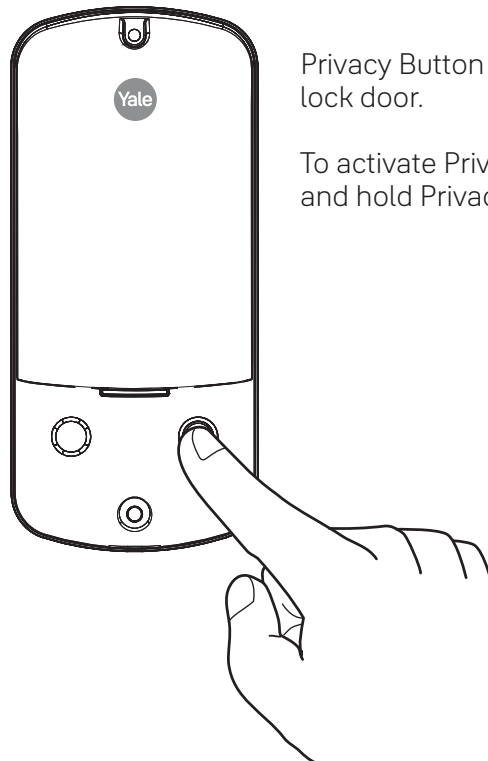
## Locking & Unlocking Door with Registered Master or User PIN Code

The Yale Accentra Key module enables access with physical (cards and fobs) and mobile credentials **ONLY**. Creation and use of User PIN codes are disabled. Master PIN code is only used for programming and configuring lock with Yale Accentra Multi-Family configuration app and will not unlock door.



# 4

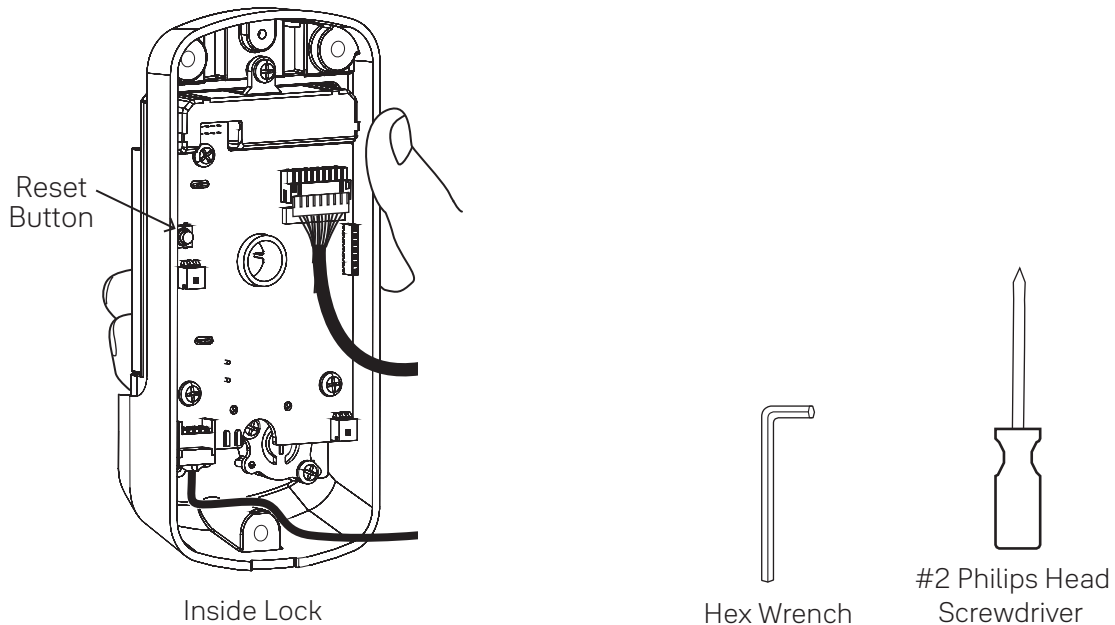
## Locking Door with Privacy Button



Privacy Button pressed once will lock door.

To activate Privacy Mode, press and hold Privacy Button.

# Resetting Lock to Factory Default



When lock is reset to factory defaults all user codes (including the Master PIN code\*) are deleted and all programming features are reset to original default settings (see Factory Settings).



**IMPORTANT: The Reset Button is on the Inside Lock.  
The keypad remains assembled.**

1. Remove the battery cover with supplied hex wrench and then remove batteries.
2. Remove network module if installed.
3. Using a #2 Philips head screwdriver, remove the inside lock from the door to access the reset button on back of lock. Cables may stay connected. (See illustration at above for location of the reset button.)
4. Reinstall four (4) AA batteries.
5. Press and hold the reset button for 3 seconds.
6. While continuing to press the reset button, temporarily remove one (1) AA battery.
7. Reinstall the battery.
8. Release reset button and wait approximately 15 seconds. Speaker will announce "Welcome to Yale."
9. Reassemble inside lock.
10. If utilizing a network module, remove batteries. Insert Module. Reinstall batteries.

Upon reset, Master PIN Code creation is the only option available and must be performed prior to any other programming of the lock.

# Definitions

**All Code Lockout Mode:** This feature is enabled by the Master PIN code. When enabled, it restricts all user (except Master) PIN code access. When attempting to enter a code while unit is in Lockout, there will be an audible lock response. The touchscreen keypad will display a RED locked padlock. (Main Menu selection #6.)

**Automatic Re-lock Time:** After a successful unlock, the unit will re-lock automatically after 5 seconds or for a duration selected in the Advanced Lock Settings (Main Menu selection #3 then #1).

**Eco Mode:** When enabled, Eco Mode puts unit in low power mode extending life of battery.

**Escape Return:** Enabling this function allows the door to remain unlocked in the case of an emergency. Escape Return will cause the door to automatically unlock upon opening and remain unlocked even if the door swings closed. The locking action requires at least one intentional user interaction to return to the locked state. Auto Re-lock cannot be enabled when Escape Return is enabled.

**Inside Indicator Light:** This light will blink red when door is locked.

**Language Setting Mode:** Choose English (1), Spanish (2) or French (3) for the lock's voice prompts. (Main Menu selection #5.)

**Low Battery:** When the battery power is low, the Low Battery Warning indicator is a flashing red battery icon on the touchscreen keypad and the Yale logo will flash red on the push button keypad. If battery power is completely lost, use the 9Volt battery override. To use the 9V battery override apply 9V battery, in either direction, to terminals on the keypad for backup power option. Activate the keypad and enter your pin code to unlock the door.

**Master PIN Code:** The Master PIN code is used for programming and for feature settings. It must be created prior to programming the lock. The Master code will also operate (unlock/lock) the lock except when Accentra Key Module is installed.

**Network Module Setting:** With the optional Network Module installed, this setting becomes available (Main Menu selection #7) and allows the lock to connect with a network controller.

**One Touch Locking:** When the unit is unlocked, activating the keypad will lock the unit (during Automatic Re-lock duration or when Automatic Re-lock is disabled). When One-Touch Re-lock is not in use (disabled), any valid PIN code will re-lock the lock. (Main Menu selection #3 then #3.)

**Passage PIN Code:** When used to unlock, lock will remain unlocked/open. Lock cannot be locked/secured until Passage code is entered again.

**Privacy Button to Lock Door:** If Automatic Re-lock is disabled, a short 1 second press of this button will lock the door.

**Privacy Mode:** With Privacy Mode enabled thru Menu Mode and door closed, all keypad functions can be disabled with a 3 second press of the Privacy Button. Privacy Mode is disabled by default. Enable Privacy Mode thru Main Menu selection #3 then #4. With door closed, press and hold the privacy button until voice prompt indicates Privacy Mode is enabled. Privacy Mode duration ends when door is opened and voice prompt indicates Privacy Mode is disabled.

**Shut Down Time:** The unit will shut down for sixty (60) seconds and not allow operation after the wrong code entry limit (5 attempts) has been met. When the unit is in Shut down, the keypad will be flashing.

**Tamper Alert:** Audible alarm sounds if attempting to forcibly remove outside lock from door.

**User PIN Code:** The User code operates the lock. Maximum number of user codes is 500.

**Volume Setting Mode:** The volume setting for PIN code verification is set to HIGH (1) by default; otherwise it can be set to Low (2) or Silent (3) for quiet areas. (Main Menu selection #4.)

**Wrong Code Entry Limit:** After five (5) unsuccessful attempts at entering a valid PIN code, the lock will not accept a PIN code for the duration of the shut down time. The touchscreen keypad will flash, and a red lock symbol will be at the bottom of the keypad. The push button keypad will flash and the Yale icon will flash blue for the shut down period. The keypad will be available after the shut down time is complete.

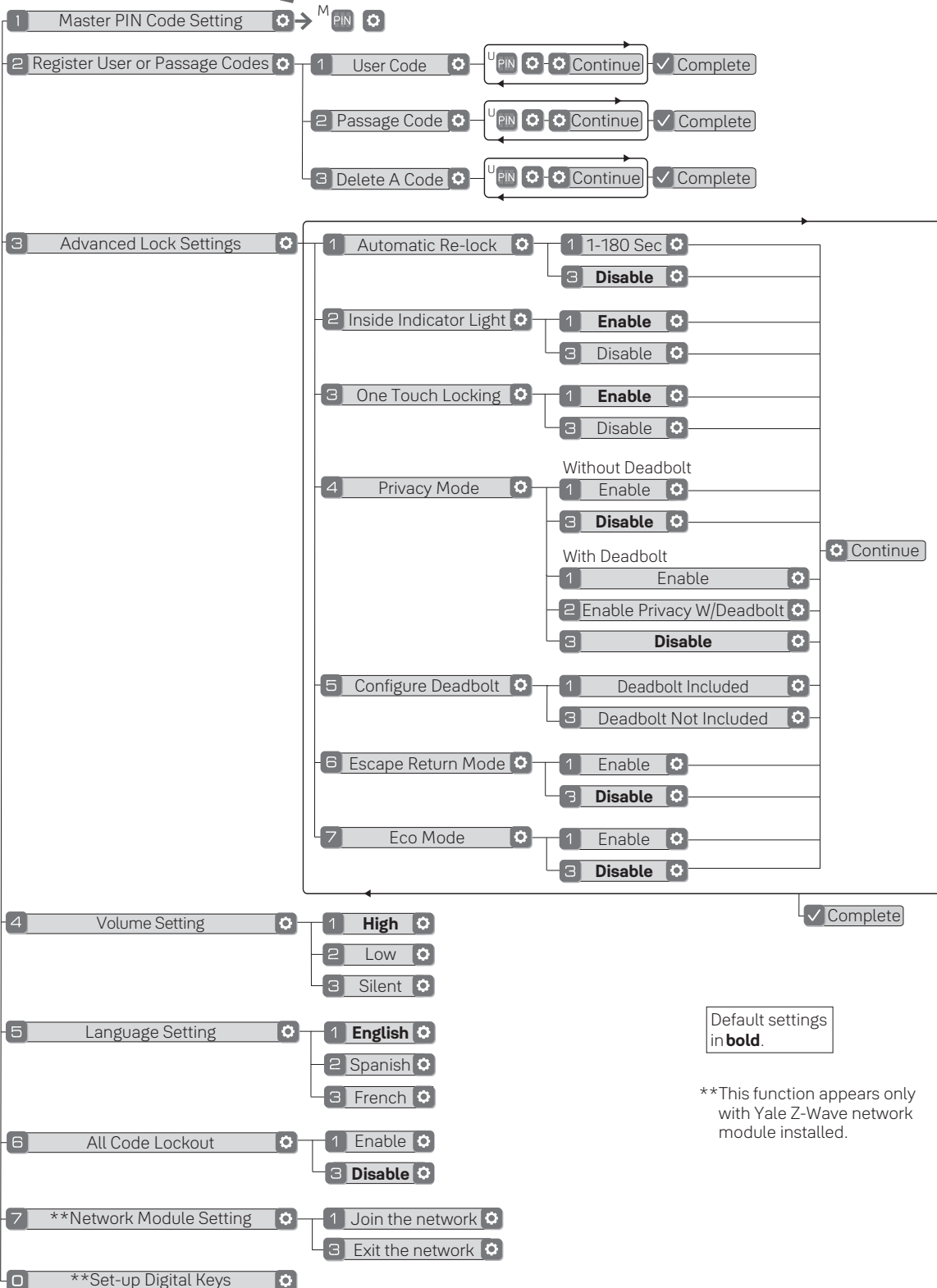


# Feature Programming Through Menu Mode Using Master PIN code\*

1. Touch to wake lock on touchscreen models.  
Touch to wake lock on push button models.
2. Enter 4-8 digit master PIN code\* followed by key. Lock Response: "Menu mode, enter number (Enter digit corresponding to the function to be performed), press the key to continue."
3. Follow the voice commands.
4. Press to complete the process and conclude the programming session.

\*The Master PIN code must be registered prior to any other programming of the lock.

→ → , ,



Default settings  
in **bold**.

\*\*This function appears only  
with Yale Z-Wave network  
module installed.

# Programming Troubleshooting

Symptom	Suggested Action
<p>Lock does not respond.</p> <p>There are no lights or chimes and there is no mechanical sound indicating latchbolt movement.</p>	<p>Touchscreen models become active when Yale logo is pressed. Push Button models become active when ✓ key is pressed.</p> <ul style="list-style-type: none"> <li>• Check batteries are installed and oriented correctly (polarity).</li> <li>• Replace batteries.</li> <li>• Check that cables are fully connected on inside lock and not crimped.</li> <li>• Apply 9V battery to terminals on the keypad for emergency power jump option.</li> </ul>
<p>Lock wakes but does not respond. Lights dim.</p>	<ul style="list-style-type: none"> <li>• Batteries do not have enough power. Replace batteries.</li> </ul>
<p>Lock chimes to indicate code acceptance, but door will not open.</p>	<ul style="list-style-type: none"> <li>• Check for another locking device on the door (i.e. deadbolt).</li> <li>• Check the door gaps for any foreign objects between door and frame.</li> <li>• Check that the motor cable is firmly connected into the PC board marked "MOTOR" on inside lock.</li> <li>• Check that the locking slide moves freely and there is no foreign material in mortise pocket.</li> </ul>
<p>Lock operates to allow access, but will not automatically re-lock.</p>	<ul style="list-style-type: none"> <li>• Ensure Auto Re-lock Mode is enabled by Master user.</li> <li>• Replace batteries.</li> <li>• Ensure Escape Return Mode and Passage Mode are disabled.</li> </ul>
<p>User/Passage PIN codes will not register.</p>	<ul style="list-style-type: none"> <li>• Master user creates/manages User and Passage PIN codes.</li> <li>• PIN codes must consist of 4 to 8 digits to register.</li> <li>• PIN code may already be registered.</li> <li>• Check to see if a yellow Accentra Key module is installed. PIN codes are disabled when Accentra is installed.</li> <li>• PIN codes must be entered within 20 seconds (while keypad is active) or process will have to be restarted.</li> <li>• Check ✓ or gear ⚙ cannot be used as part of the PIN code.</li> </ul>
<p>Upon entering a User/Passage PIN code and pressing the ✓ key, the lock chimes an error or lock times out without responding.</p>	<ul style="list-style-type: none"> <li>• Ensure All Code Lockout Mode is disabled by Master user. Touchscreen will display a red padlock on keypad.</li> <li>• The digits entered were incorrect or incomplete. Re-enter 4-8 digits followed by the check ✓ key.</li> <li>• Master user may have deleted PIN code.</li> <li>• PIN code may have expired.</li> <li>• Check to see if a yellow Accentra Key module is installed. PIN codes are disabled when Accentra is installed.</li> <li>• PIN codes must be entered within 20 seconds (while keypad is active) or process will have to be restarted.</li> </ul>
<p>TS lock displays "Low Battery" on keypad. PB lock Yale logo flashes red.</p>	<ul style="list-style-type: none"> <li>• This is the alert to replace the batteries. Replace all four (4) batteries with new AA Alkaline batteries.</li> </ul>
<p>The lock operates, but it does not chime.</p>	<ul style="list-style-type: none"> <li>• Ensure Volume is set to Low or High by Master user.</li> </ul>
<p>Lock will not enter Privacy Mode.</p>	<ul style="list-style-type: none"> <li>• Ensure Privacy Mode is enabled by Master user.</li> <li>• Ensure door gap is correct.</li> <li>• Hold the Privacy Button longer.</li> </ul>

NOTE: When batteries are replaced, Network Module locks have a real time clock that will be set through the User Interface (UI); it is recommended to verify correct date and time particularly those locks operating under Daylight Saving Time (DST).

# Factory Settings

Settings	Factory Setting
Master PIN Code	Registration <b>required*</b>
All Code Lockout	Disabled
Automatic Relock	Disabled
Escape Return Mode	Disabled
Inside Indicator Light	Enabled
Language Setting	English
One Touch Locking	Enabled
Privacy Mode	Disabled
Shutdown Time	60 Seconds
Volume Setting	High
Wrong Code Entry Limit	5 Times

\*The Master PIN code must be registered prior to any other programming of the lock.

For easy 3D instructions,  
download the BILT  
mobile app



**FCC:**

This device complies with part 15 of the FCC Rules. Operation is subject to the following two conditions: (1) This device may not cause harmful interference, and (2) this device must accept any interference received, including interference that may cause undesired operation.

Any changes or modifications (including the antennas) to this device that are not expressly approved by the manufacturer may void the user's authority to operate the equipment.

Note : This equipment has been tested and found to comply with the limits for a Class B digital device, pursuant to part 15 of the FCC Rules. These limits are designed to provide reasonable protection against harmful interference in a residential installation. This equipment generates, uses and can radiate radio frequency energy and, if not installed and used in accordance with the instructions, may cause harmful interference to radio communications. However, there is no guarantee that interference will not occur in a particular installation. If this equipment does cause harmful interference to radio or television reception, which can be determined by turning the equipment off and on, the user is encouraged to try to correct the interference by one or more of the following measures:

- Reorient or relocate the receiving antenna.
- Increase the separation between the equipment and receiver.
- Connect the equipment into an outlet on a circuit different from that to which the receiver is connected.
- Consult the dealer or an experienced radio/TV technician for help.

Modifications not expressly approved by the manufacturer could void your authority to operate the equipment under FCC rules.

**Industry Canada:**

This device contains licence-exempt transmitter(s)/receiver(s) that comply with Innovation, Science and Economic Development Canada's licence-exempt RSS(s). Operation is subject to the following two conditions:

- (1) This device may not cause interference.
- (2) This device must accept any interference, including interference that may cause undesired operation of the device.

L'émetteur/récepteur exempt de licence contenu dans le présent appareil est conforme aux CNR d'Innovation, Sciences et Développement économique Canada applicables aux appareils radio exempts de licence. L'exploitation est autorisée aux deux conditions suivantes :

- (1) L'appareil ne doit pas produire de brouillage;
- (2) L'appareil doit accepter tout brouillage radioélectrique subi, même si le brouillage est susceptible d'en compromettre le fonctionnement.

**FCC and IC RF Radiation Exposure Statement:**

This equipment complies with FCC and IC RF Radiation exposure limits set forth for an uncontrolled environment.

This device and its antenna must not be co-located or operating in conjunction with any other antenna or transmitter.

RF du FCC et IC d'exposition aux radiations: Cet équipement est conforme à l'exposition de FCC et IC rayonnements RF limites établies pour un environnement non contrôlé.

L'antenne pour ce transmetteur ne doit pas être même endroit avec d'autres émetteur sauf conformément à FCC et IC procédures de produits Multi-émetteur.

Support Contacts:

**Customer Service Phone:**

1-800-438-1951

**Customer Service Fax:**

1-800-338-0965

**24/7 Support Phone:**

1-855-213-5841

**24/7 Support Email:**

Support@YaleLock.com

**Website:**

US.YaleHome.com

**Email for orders:**

orders.yaleres@assaabloy.com

**THE YALE BRAND**, with its unparalleled global reach and range of products, reassures more people in more countries than any other consumer locking solution.

**THE ASSA ABLOY GROUP** is the world's leading manufacturer and supplier of locking solutions, dedicated to satisfying end-user needs for security, safety and convenience.

Yale Commercial is a business associated with ASSA ABLOY Access and Egress Hardware Group, Inc., an ASSA ABLOY Group company. Copyright © 2018 - 2021, ASSA ABLOY Access and Egress Hardware Group, Inc. All rights reserved. Reproduction in whole or in part without the express written permission of ASSA ABLOY Access and Egress Hardware Group, Inc. is prohibited.