



Sahara Dry Contact Controller

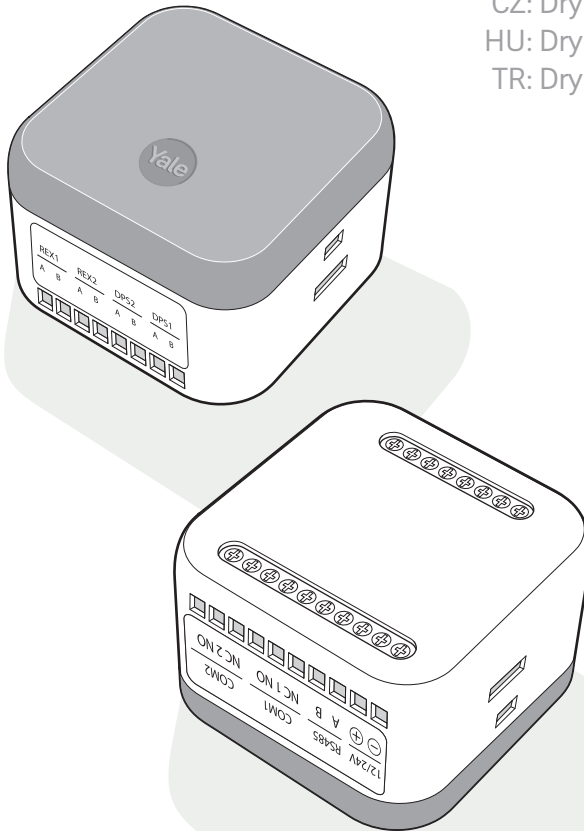
NL: Dry Contact Controller

RO: Dry Contact Controller

CZ: Dry Contact Controller

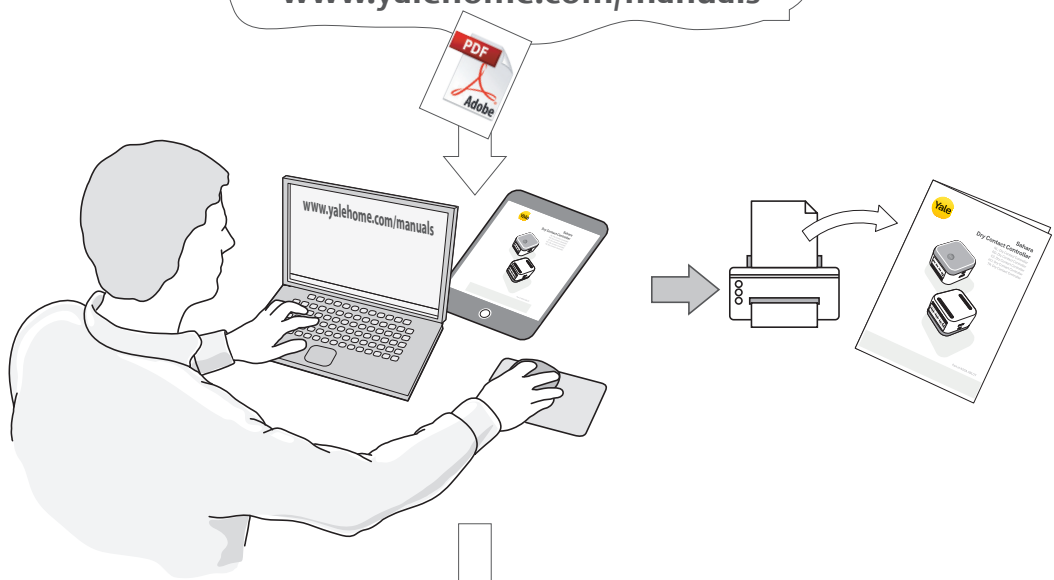
HU: Dry Contact Controller

TR: Dry Contact Controller



Part of ASSA ABLOY

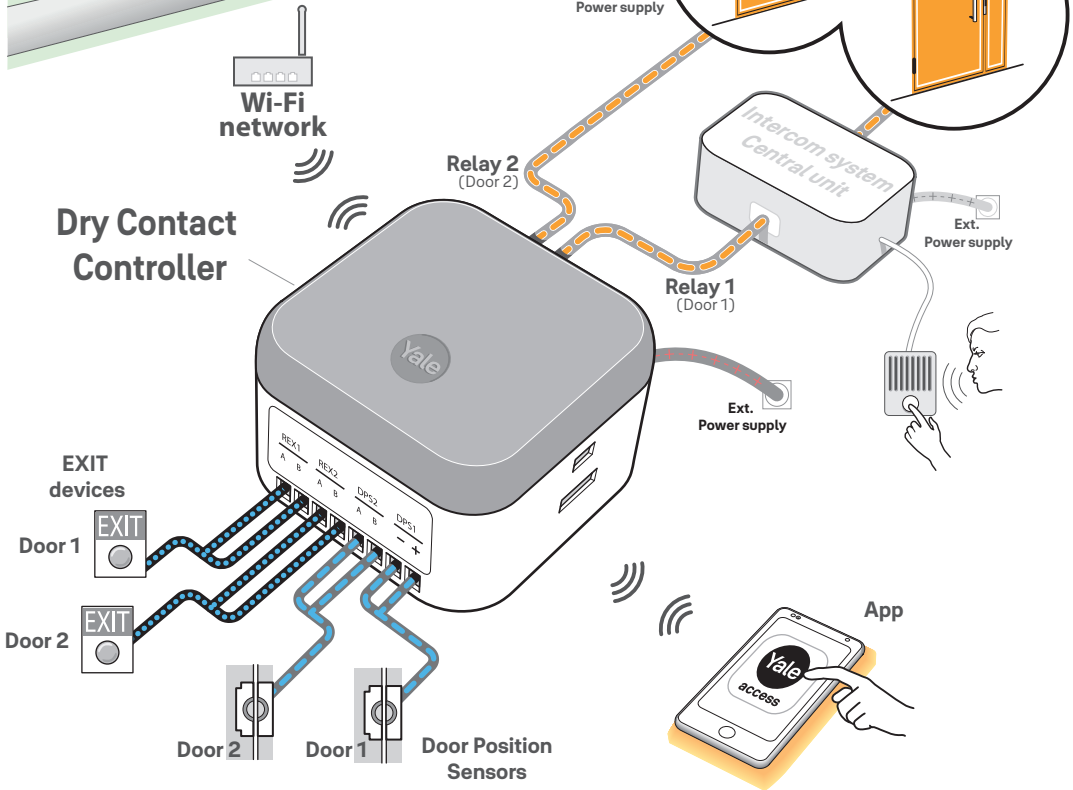
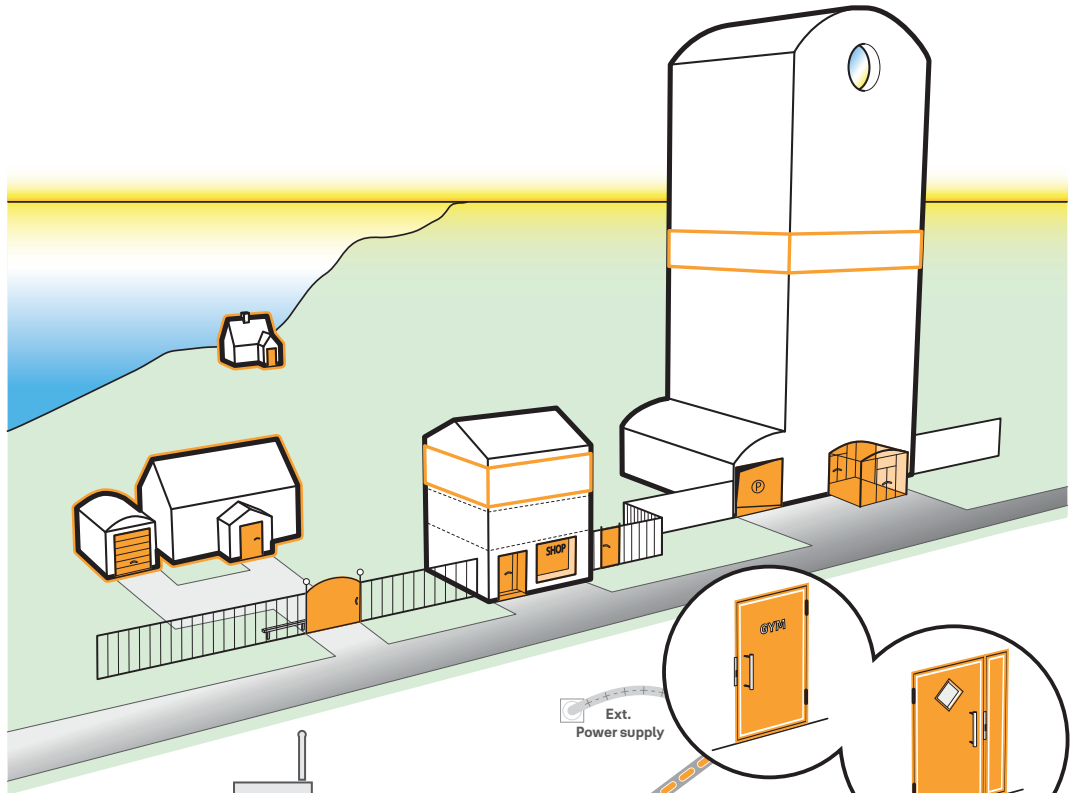
www.yalehome.com/doc
www.yalehome.com/manuals



(GB) Manuals available in additional languages / (NL) Handleiding beschikbaar in aanvullende talen / (RO) Manuale disponibile și în alte limbi / (CZ) Manuály jsou k dispozici v dalších jazycích / (HU) Kézikönyvek elérhetőek további nyelveken / (TR) Kullanım kılavuzu ek diller içinde mevcuttur



Handbuch herunterladen Deutsche:
Téléchargez le manuel Français:
Descargar manual Español:
Scarica il manuale Italiano:
Xxxxxx....
Xxxxxx....
Xxxxxx....



(GB) General workings / (NL) xxx / (RO) xxx / (CZ) xxx / (HU) xxx / (TR) xxx

Dry Contact Controller



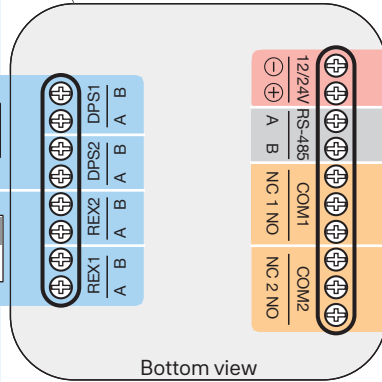
Wireless communication

Wired inputs

Wired sensors, Door1 and Door2. CLOSED or NOT CLOSED.



Wired OPEN / EXIT devices. Door1 and Door2. E.g. approach or pressure unlock the device.



Bottom view

PSU 12 ~ 24V DC

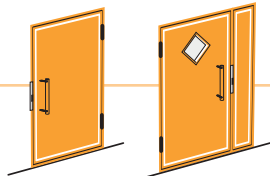
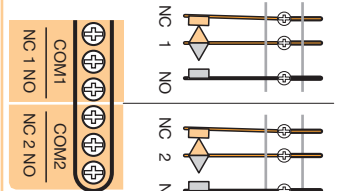
For future use.

Relay 1, Door 1 electric strike
Relay Normally Open or Normally Closed

Relay 2, Door 2 electric strike
Relay Normally Open or Normally Closed

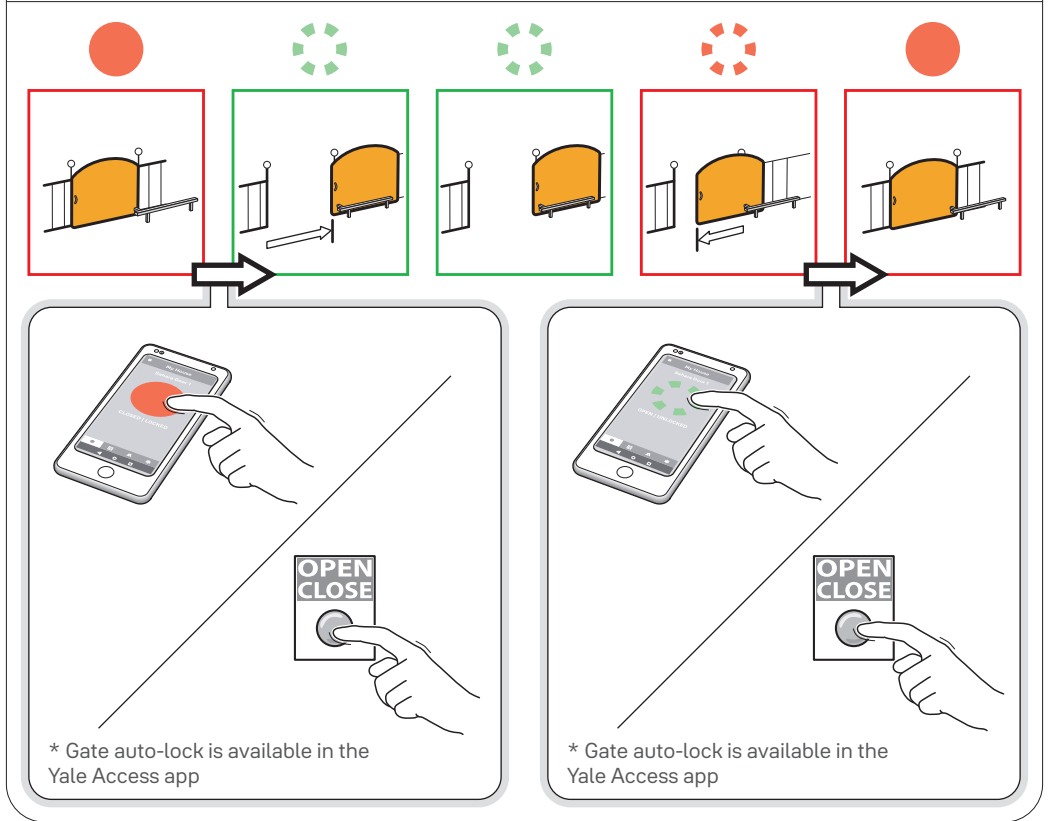
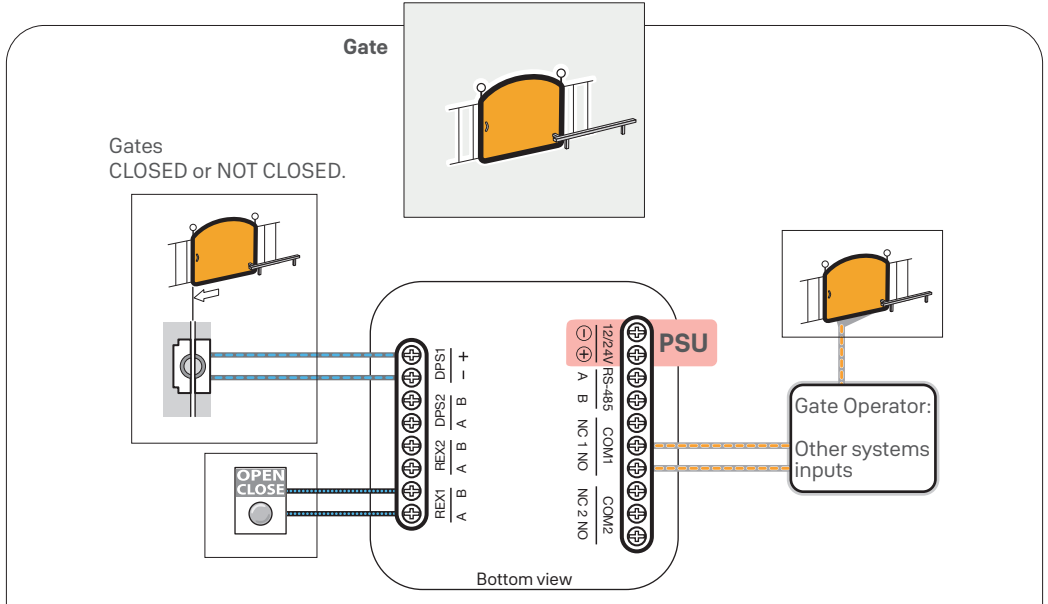
Strike Relay:
NC: "Normally CLOSED"
Com1 / Com2
NO: "Normally OPEN"

Wireless communication

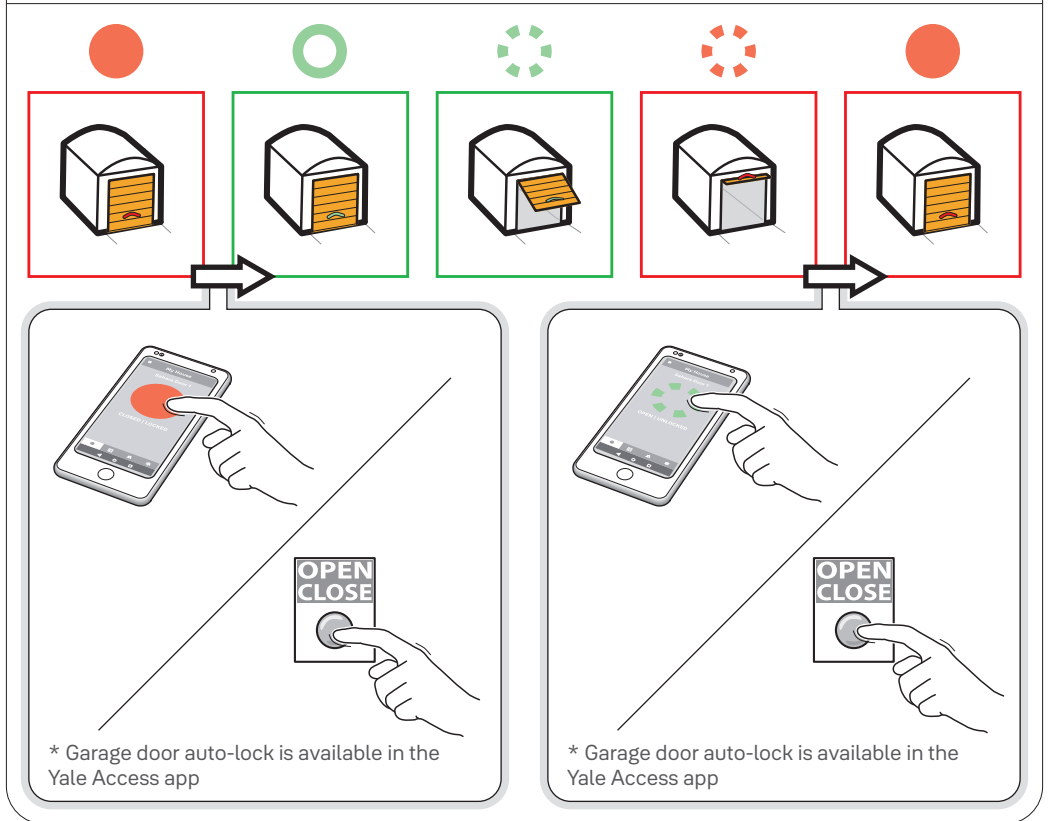
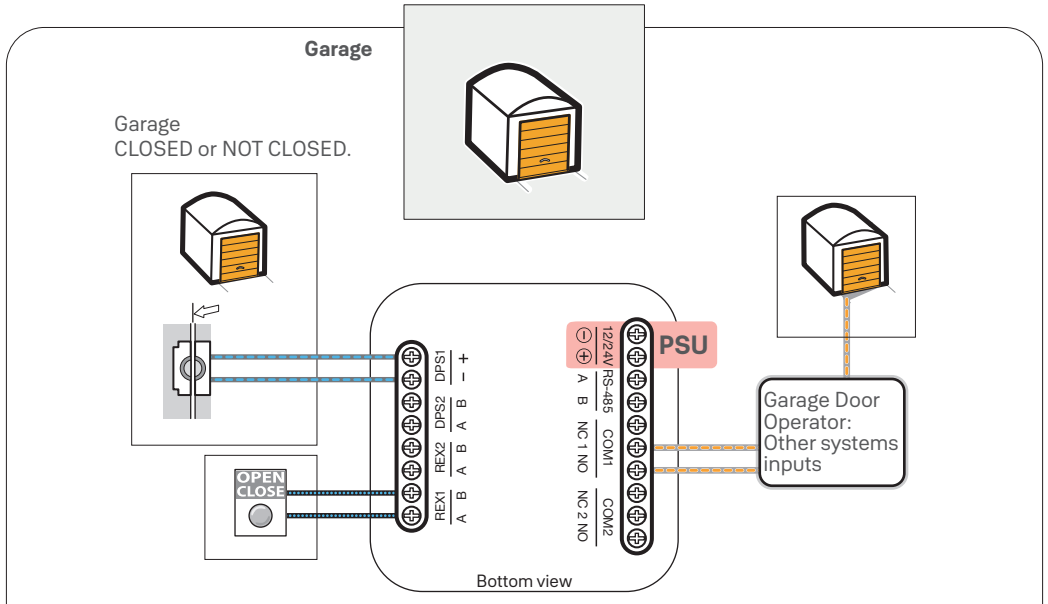


***Notice**

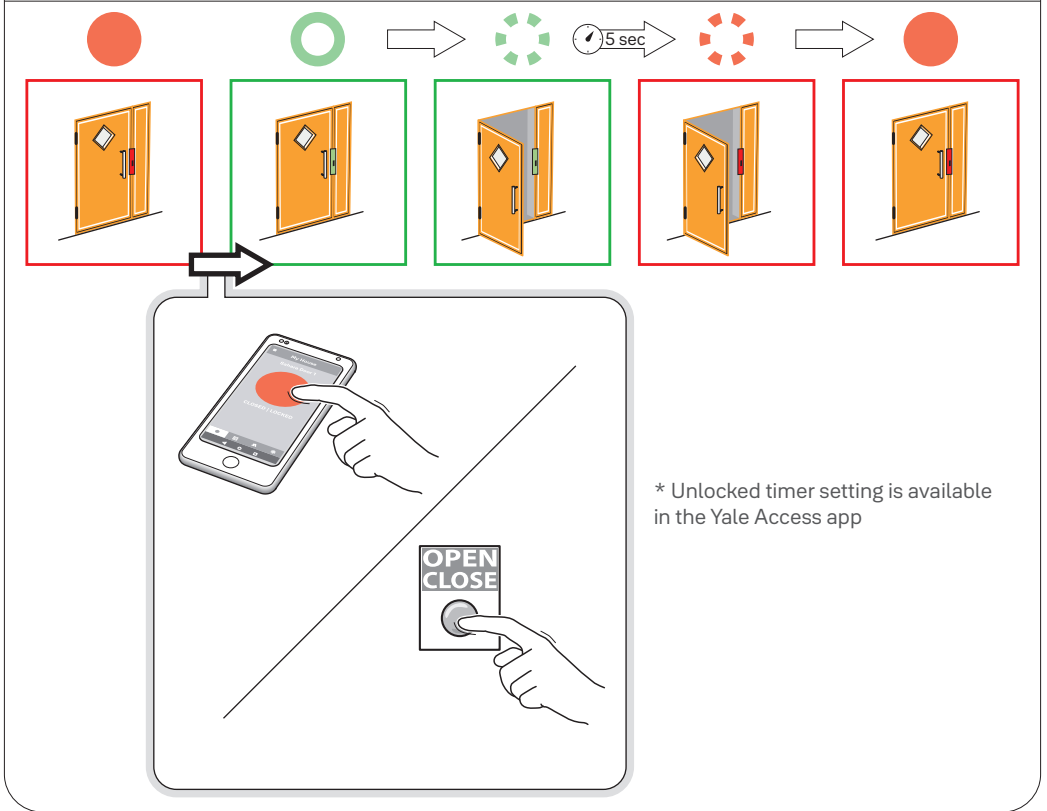
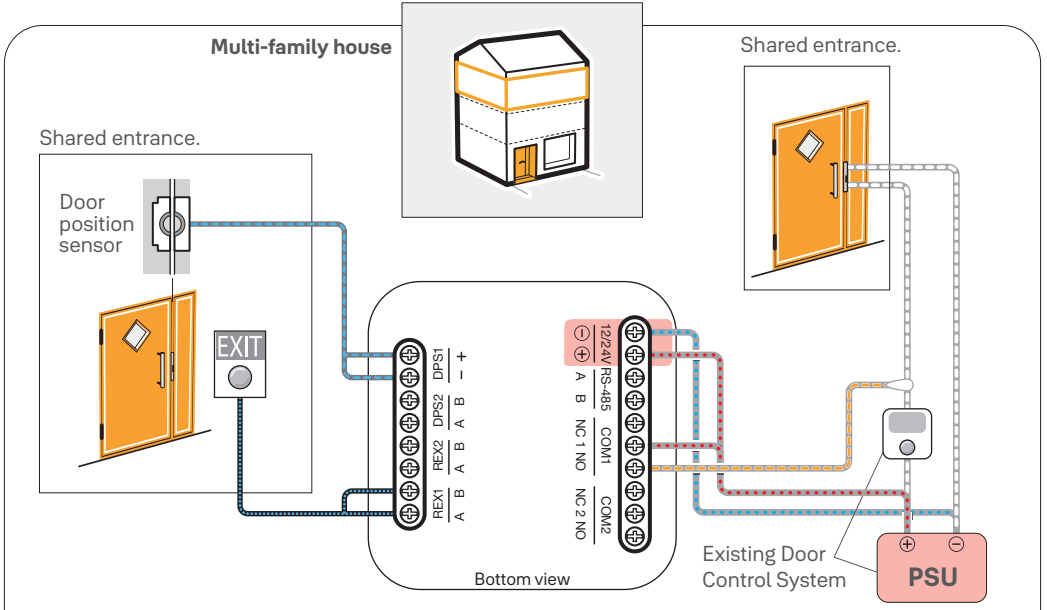
The Wi-Fi network service described in this user manual is not supported by IES-D301W. IES-D301W only supports wireless communication with smart devices through BLE.



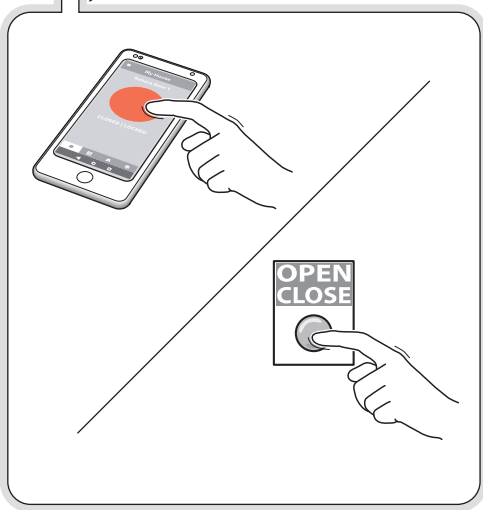
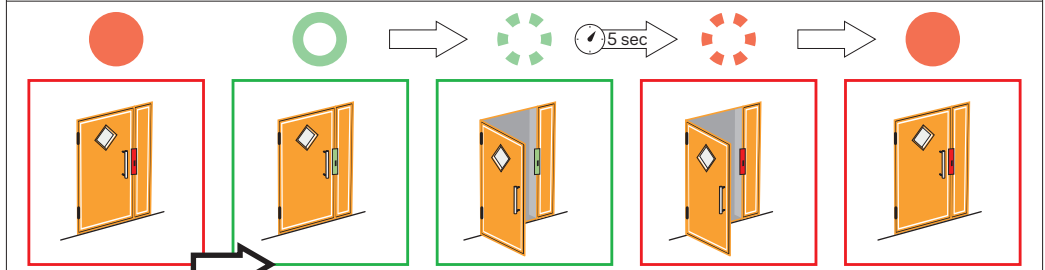
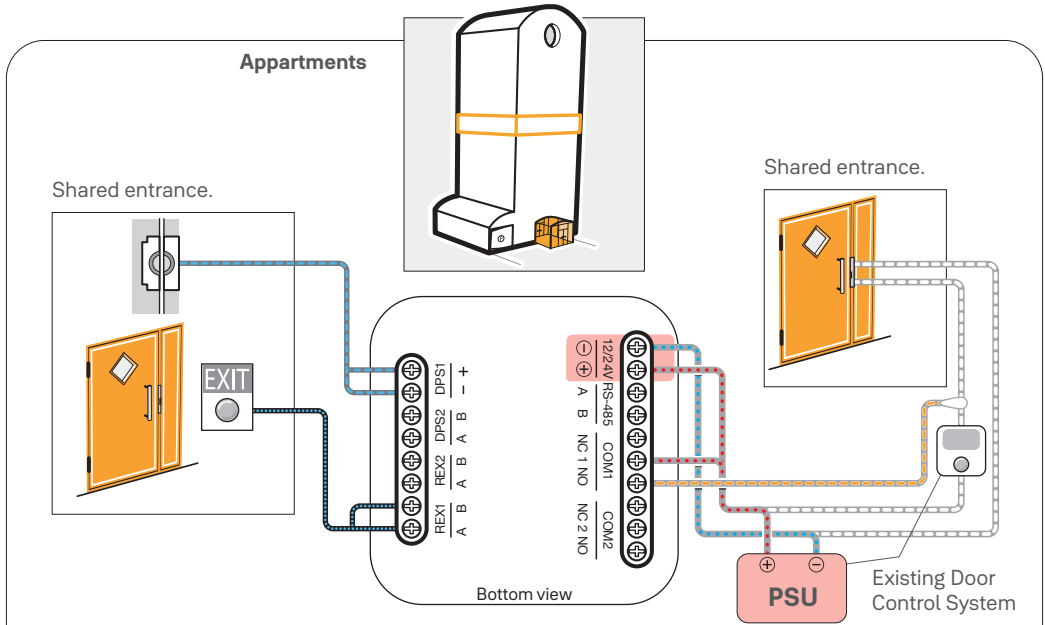
(GB) Connection examples / (NL) xxx / (RO) xxx / (CZ) xxx / (HU) xxx / (TR) xxx



(GB) Connection examples / (NL) xxx / (RO) xxx / (CZ) xxx / (HU) xxx / (TR) xxx

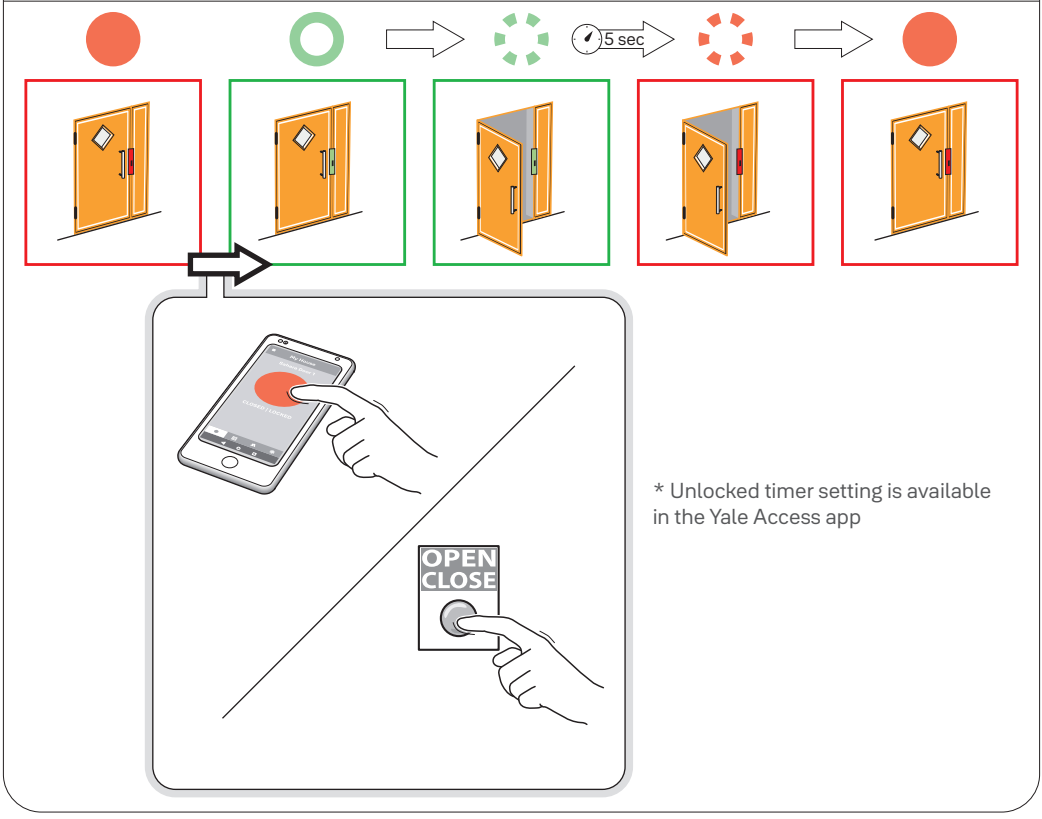
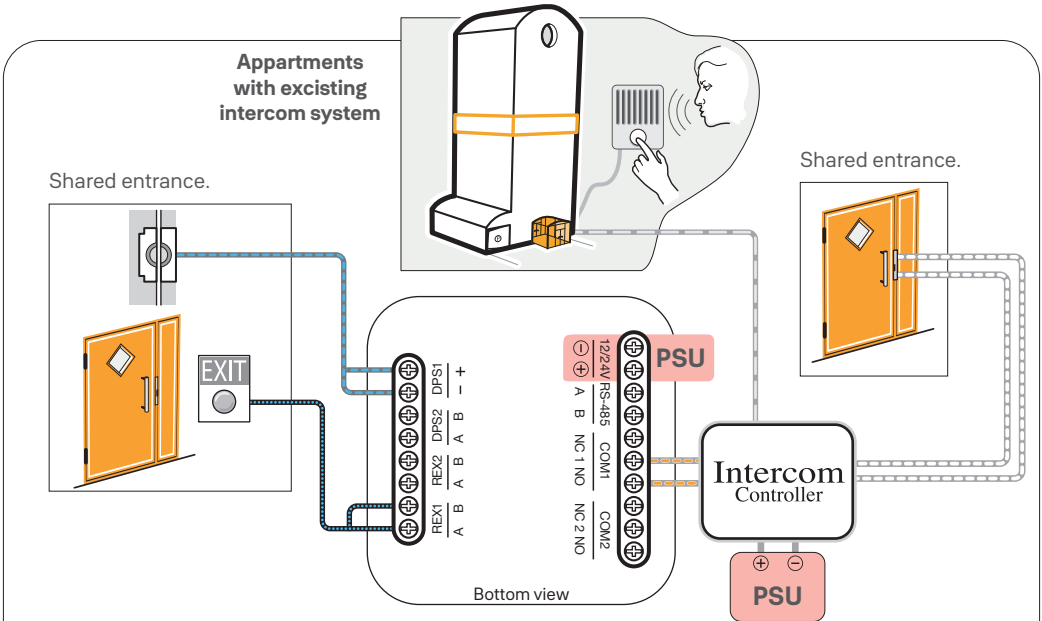


(GB) Connecting / (NL) xxx / (RO) xxx / (CZ) xxx / (HU) xxx / (TR) xxx



* Unlocked timer setting is available in the Yale Access app

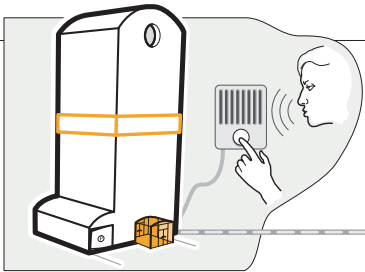
(GB) Connecting / (NL) xxx / (RO) xxx /
(CZ) xxx / (HU) xxx / (TR) xxx



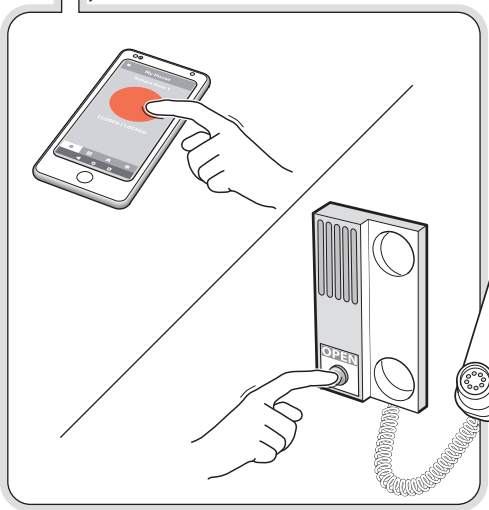
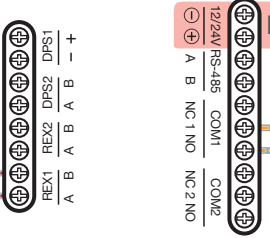
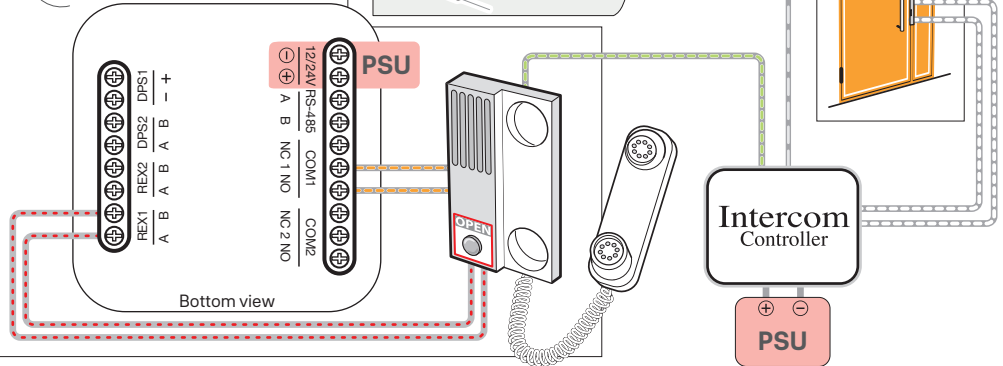
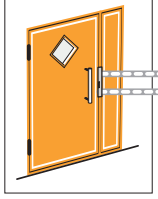
(GB) Connecting / (NL) xxx / (RO) xxx / (CZ) xxx / (HU) xxx / (TR) xxx

Controlling existing intercom system

Remote control in apartment

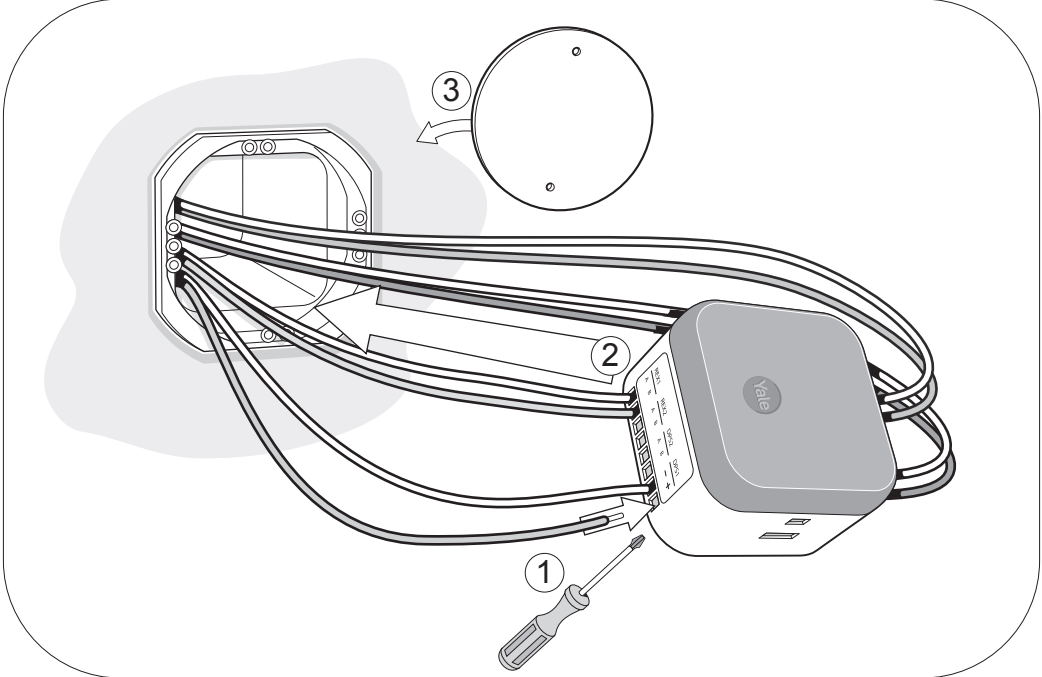
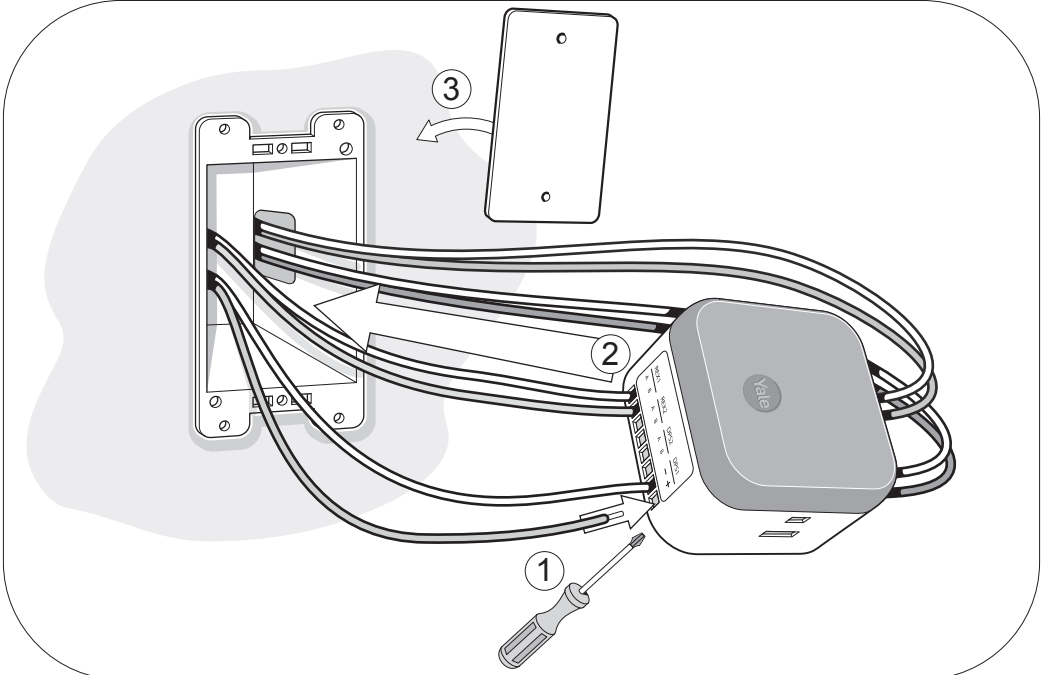


Shared entrance.

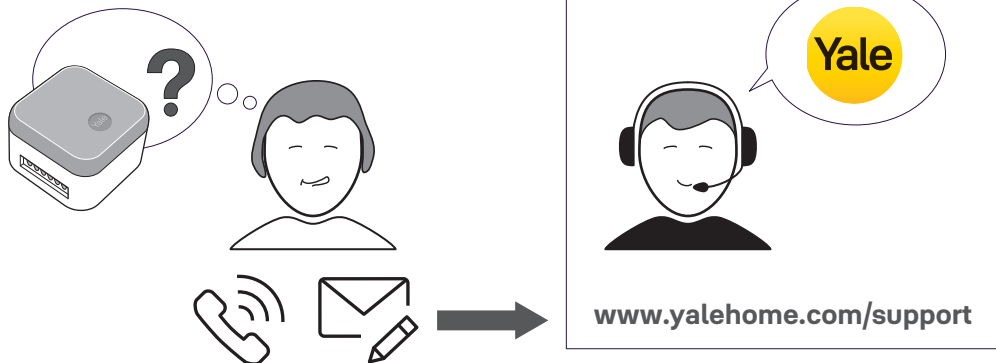


* Unlocked timer setting is available in the Yale Access app

(GB) Wall Box / (NL) xxx / (RO) xxx /
(CZ) xxx / (HU) xxx / (TR) xxx



i Support



us

GB: Product guarantee terms and conditions can be found here:

www.yalehome.com/guarantee

NL: Product garantievoorwaarden kunnen hier gevonden worden:

www.yalehome.com/guarantee

RO: Zăruční podmínky produktu naleznete zde: www.yalehome.com/guarantee

CZ: Los términos y condiciones de la garantía del producto se pueden encontrar aquí:

www.yalehome.com/guarantee

HU: A termékgarancia feltételei itt találhatók: www.yalehome.com/guarantee

TR: Ürün garanti şart ve koşullarına buradan ulaşılabilir: www.yalehome.com/guarantee



THE YALE BRAND, with its unparalleled global reach and range of products, reassures more people in more countries than any other consumer locking solution.

THE ASSA ABLOY GROUP is the world's leading manufacturer and supplier of locking solutions, dedicated to satisfying end-user needs for security, safety and convenience.

FCC

This device complies with part 15 of the FCC Rules. Operation is subject to the following two conditions: (1) This device may not cause harmful interference, and (2) this device must accept any interference received, including interference that may cause undesired operation.

Any changes or modifications (including the antennas) to this device that are not expressly approved by the manufacturer may void the user's authority to operate the equipment.

Note: This equipment has been tested and found to comply with the limits for a Class B digital device, pursuant to part 15 of the FCC Rules. These limits are designed to provide reasonable protection against harmful interference in a residential installation. This equipment generates, uses and can radiate radio frequency energy and, if not installed and used in accordance with the instructions, may cause harmful interference to radio communications. However, there is no guarantee that interference will not occur in a particular installation. If this equipment does cause harmful interference to radio or television reception, which can be determined by turning the equipment off and on, the user is encouraged to try to correct the interference by one or more of the following measures:

- Reorient or relocate the receiving antenna.
- Increase the separation between the equipment and receiver.
- Connect the equipment into an outlet on a circuit different from that to which the receiver is connected.
- Consult the dealer or an experienced radio/TV technician for help.

Modifications not expressly approved by the manufacturer could void your authority to operate the equipment under FCC rules.

ISED

This device contains licence-exempt transmitter(s)/receiver(s) that comply with Innovation, Science and Economic Development Canada's licence-exempt RSS(s). Operation is subject to the following two conditions:

- (1) This device may not cause interference.
- (2) This device must accept any interference, including interference that may cause undesired operation of the device.

L'émetteur/récepteur exempt de licence contenu dans le présent appareil est conforme aux CNR d'Innovation, Sciences et Développement économique Canada applicables aux appareils radio exempts de licence. L'exploitation est autorisée aux deux conditions suivantes :

- (1) L'appareil ne doit pas produire de brouillage;
- (2) L'appareil doit accepter tout brouillage radioélectrique subi, même si le brouillage est susceptible d'en compromettre le fonctionnement.

RF Exposure Statement

FCC and IC RF Radiation Exposure Statement: This equipment complies with FCC and IC RF radiation exposure limits set forth for uncontrolled environments. This equipment should be installed and operated with a minimum distance of 20cm (may be adjusted according to actual calculation result) between the radiator and your body. This transmitter must not be co-located or operating in conjunction with any other antenna or transmitter.

RF du FCC et IC d'exposition aux radiations: Cet appareil est conforme aux limites d'exposition au rayonnement RF stipulées par la FCC et IC pour une utilisation dans un environnement non contrôlé. Les antennes utilisées pour cet émetteur doivent être installées et doivent fonctionner à au moins 20 cm de distance des utilisateurs et ne doivent pas être placées près d'autres antennes ou émetteurs ou fonctionner avec ceux-ci. Les installateurs doivent s'assurer qu'une distance de 20 cm sépare l'appareil (à l'exception du combiné) des utilisateurs