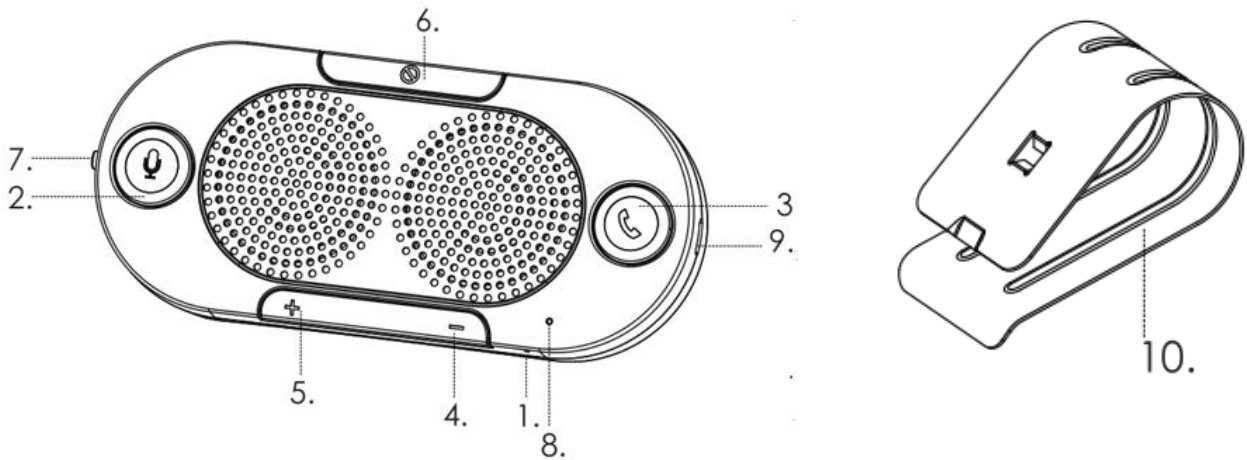


## BTC26 USE MANUAL



1. Microphone  
2. Siri Button  
3. Multifunction Button (MFB)  
4. Volume -  
5. Volume +  
6. Mute Button

7. Power Switch (ON/OFF)  
8. Status LED  
9. Charging port  
10. Clip

**Power On/Off:** Slide to ON/OFF

**Pairing Mode:** Enter pairing mode automatically after power on with blue and red led light flashing alternately

**Answer/End a call:** Press MFB once

**Reject a call:** Press and hold the MFB for 2 seconds

**Redial:** Double click the MFB

**Mute:** Press mute button once to Mute/Resume a call in the call

**Siri or Voice Command:** Press SIRI button once in the standby mode if your phone support.

**Volume Up:** Press the Vo+ button once

**Volume Down:** Press the Vo- button once

**Pause/Resume music:** Press the MFB once

**Next / Previous Track:** Press and hold the volume + / - button for 2 seconds

**Voice switching:** Press and hold the volume + button for 2 seconds to switch between BTC26 and your phone for talking

### **BUILT-INMOTION SENSOR for Auto Power On:**

Start driving without delay as this Bluetooth hands-free car kit switches to Auto Power and connects with your phone when car door is opened. If your parking is very close to the house, the phone might still connect to your speakerphone when you are at home. So please manually turn it off before leaving the car

### **Simultaneously Pairing with Two Devices**

1. First, follow the instructions in the 'Pairing' section to pair the BTC26 with Device 1
2. Once paired, disable pairing function on Device 1, the BTC26 will enter into pairing mode again.
3. Next, follow the instructions in the 'Pairing' section to pair with the Device 2 (Device 1 Pairing function Off).
4. Once paired with Device 2, reactive Bluetooth function on Device 1 and the BTC26 will automatically reconnect. If the first device couldn't be connected automatically, you could connect it manually.
5. You can now make & receive calls from either of the two paired devices.

NOTE: This equipment has been tested and found to comply with the limits for a Class B digital device, pursuant to part 15 of the FCC Rules. These limits are designed to provide reasonable protection against harmful interference in a residential installation. This equipment generates uses and can radiate radio frequency energy and, if not installed and used in accordance with the instructions, may cause harmful interference to radio communications. However, there is no guarantee that interference will not occur in a particular installation. If this equipment does cause harmful interference to radio or television reception, which can be determined by turning the equipment off and on, the user is encouraged to try to correct the interference by one or more of the following measures:

- Reorient or relocate the receiving antenna.
- Increase the separation between the equipment and receiver.
- Connect the equipment into an outlet on a circuit different from that to which the receiver is connected.
- Consult the dealer or an experienced radio/TV technician for help

Changes or modifications not expressly approved by the party responsible for compliance could void the user's authority to operate the equipment.

This device complies with Part 15 of the FCC Rules. Operation is subject to the following two conditions:

- (1) this device may not cause harmful interference, and
- (2) this device must accept any interference received, including interference that may cause undesired operation.