

DESIGN

User Manual

BE-RCA Wireless Music Receiver

Warranty & Customer Support

For questions, assistance, support, or warranty claims please contact us with E-mail address as follows:
contact@besign-tech.com
www.besign-tech.com

EN

Thank you for purchasing the BESIGN BE-RCA Wireless Music Receiver. Please read this user manual carefully and keep it in a safe place for future reference. If you need any assistance, please contact our support team with your product model number and Amazon order number.

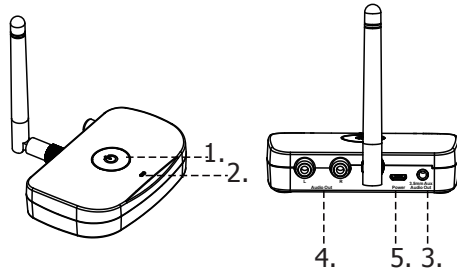
Package Contents

- BESIGN BE-RCA Wireless Music Receiver
- AC adapter
- Antenna terminal
- Micro USB Power Cable
- 3.5mm Audio Cable
- RCA Cable
- User Manual

EN

Product Diagram

1. Multi-function Button
2. LED Indicator
3. 3.5mm Audio Port
4. RCA Port
5. Micro USB Power Port



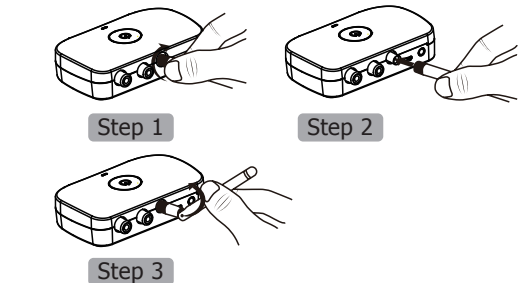
LED Indicator	Status
Flashing Red and Blue	Pairing mode
Solid Blue	Connected

EN

How to Use

Attach the antenna

Screw the package included antenna on to the rear of the BE-RCA antenna terminal by firmly turning it to the right. Set up the antenna and set it to the desired position.



Note: Different antenna positions can affect wireless working range. Check which position gives you the best result.

Power on & Set up

Step 1. Connect the BE-RCA to a power source (or compatible USB charger with

EN

5V/500mA-2A output) via the supplied micro USB cable. This BE-RCA does not have built-in battery.

Step 2. Connect the BE-RCA to an audio input on your home music system.
 A. RCA-style Right/Left connections (a RCA to RCA cable is included)
 B. Direct connect from 3.5mm to an auxiliary input (3.5mm Audio cable is included)
 Please consult your home music system's manual for more information on which connections make sense with your system.

Turning the BE-RCA Receiver On/Off

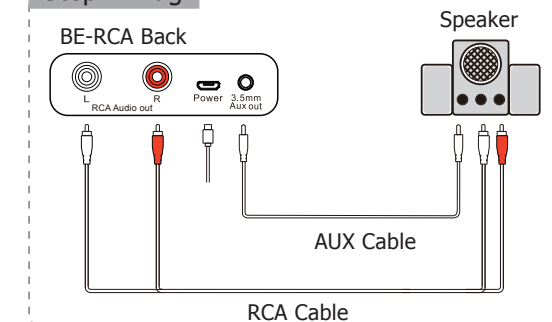
Turn on	Press and hold the multi-function button for 3 seconds, the Blue LED indicator will stay on for 1 seconds.
Turn off	Press and hold the multi-function button for 2 seconds, the Red LED indicator will stay on for 1 seconds.

EN

Note: the BE-RCA adapter will enter standby mode if no connection within 15 minutes, you need press and hold the Multi-function Button 2 seconds to make it turn off or disconnect the power source.

Pairing

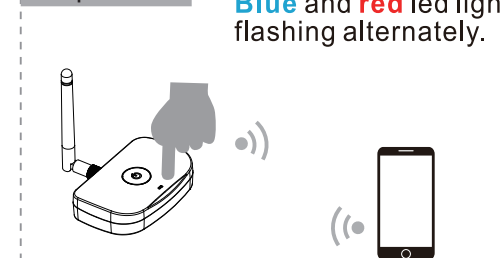
Step 1 Plug



Note: No battery inside, please connect the power supply before use.

EN

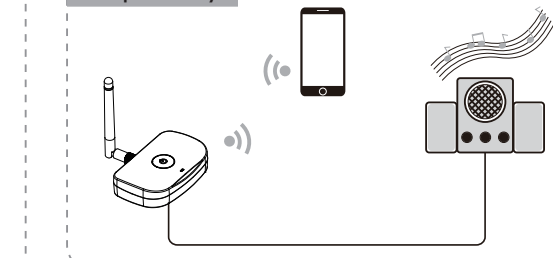
Step 2 Pair



1. When Powered off, press and hold the multifunction button for 5 seconds until the blue and red led light flashing alternately.
2. Open your smart phone bluetooth setting, search "BE-RCA" and connect.
3. The BE-RCA led turn solid blue after the bluetooth connection is completed.

EN

Step 3 Play



- Note:**
- The adapter can remember previously paired devices and will attempt to pair with devices automatically, without going into pairing mode.
 - The BE-RCA adapter will be automatically out of pairing mode in 15 minutes.

Pair with the second device

1. Follow the previous instructions in the "Pairing" section to pair the BE-RCA with

- your first device.
2. Switch off the BE-RCA and set BE-RCA to pairing mode again, press and hold the multifunction button for 6 seconds until the red and blue LED light flashes alternately.
 3. Active Bluetooth on the second device to find "BE-RCA" to connect.
 4. Wait until connected.
 5. Connect the first device with BE-RCA manually, now BE-RCA is connected with two devices at the same time.

Note: Only one device can play music at any time. You must stop the music on one device to play on the other.

Restore Factory Default Settings

You may need to reset BE-RCA if it is not working as expected. When BE-RCA is reset to factory default settings, all the paired device information will be cleared.

- 1) Insure the BE-RCA is powered by the AC adapter or other USB power supply.
- 2) Insure the BE-RCA is switched off.
- 3) Press and hold the multifunction button for 9 seconds; you will see the red led light on for 1 second, then blue led will light on for 1 seconds.
- 4) Now the factory re-set is completed, you could pair it with your smart phone again.

Troubleshooting

My BE-RCA Receiver will not power on. Check the power connection and make sure you pressed the multifunction button for at least 3 seconds.

Wireless working range too short

Make sure you attached the antenna correctly and no obstacles between the BE-RCA and your connected devices.

Changing Connected Bluetooth Device

If you want to switch from one device to another, follow these steps:

- End the existing bluetooth connection with the connected device by either disconnecting within your "settings" or turning off Bluetooth.
- The Bluetooth Music Receiver can now be connected to a different smart mobile device.

- Follow the instruction in "Pairing" to connect a different device.

My music is not coming out of the stereo speakers.

- Make sure the BE-RCA is powered on.
- Make sure an audio cable is correctly and firmly connected to the BE-RCA.
- Make sure that your audio system is powered on and turned to the proper

input.

- Make sure the stereo volume is set to a comfortable listening level.
- Make sure you are within range of the receiver, and that your smart device is connected via bluetooth with this receiver.
- Make sure your audio device is playing music via bluetooth. Some devices (such as computer) require manually selecting the music output mode.

I am having trouble pairing and connecting to my bluetooth device.

Please check the following:

- Your Bluetooth device supports the Bluetooth profiles listed in the specifications.
- This Receiver and your device are next to each other or within 3 feet / 1 meter.
- This Receiver is in pairing mode; this is indicated by the LED flashing in red and

blue alternately.

Suggested care & Maintenance

- Please power off when not in use or before storing.
- Please keep away from excessive heat and humidity.
- Do not use chemicals or detergents to clean this product.
- Extreme temperatures can shorten lifespan of internal components.

Warranty & Customer Support

For questions, assistance, support, or warranty claims, please contact us with E-mail address as follows: contact@besign-tech.com

NOTE: This equipment has been tested and found to comply with the limits for a Class B digital device, pursuant to part 15

of the FCC Rules. These limits are designed to provide reasonable protection against harmful interference in a residential installation. This quipment generates uses and can radiate radio frequency energy and, if not installed and used in accordance with the instructions, may cause harmful interference to radio communications. However, there is no guarantee that interference will not occur in a particular installation. If this equipment does cause harmful interference to radio or television reception, which can be determined by turning the equipment off and on, the user is encouraged to try to correct the

interference by one or more of the following measures:

- Reorient or relocate the receiving antenna.

- Increase the separation between the equipment and receiver.
- Connect the equipment into an outlet on a circuit different from that to which thereceiver is connected.
- Consult the dealer or an experienced radio/TV technician for help Changes or modifications not expressly approved by the party responsible for compliance could void the user's authority to operate the equipment.

This device complies with Part 15 of the FCC Rules. Operation is subject to the following two conditions:

- (1) this device may not cause harmful interference, and
- (2) this device must accept any interference received, including interference that may cause undesired operation.

Product Support:
contact@besign-tech.com

Know more about us, you could visit our website:

www.besign-tech.com



总尺寸：640mm*100mm

折叠后尺寸：80mm*100mm

材质：105g铜版纸

彩色双面印刷

折叠方式：风琴折