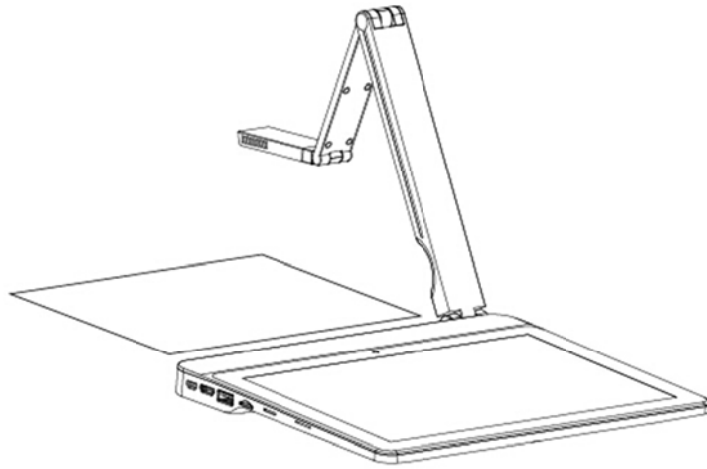


1

HoverCam

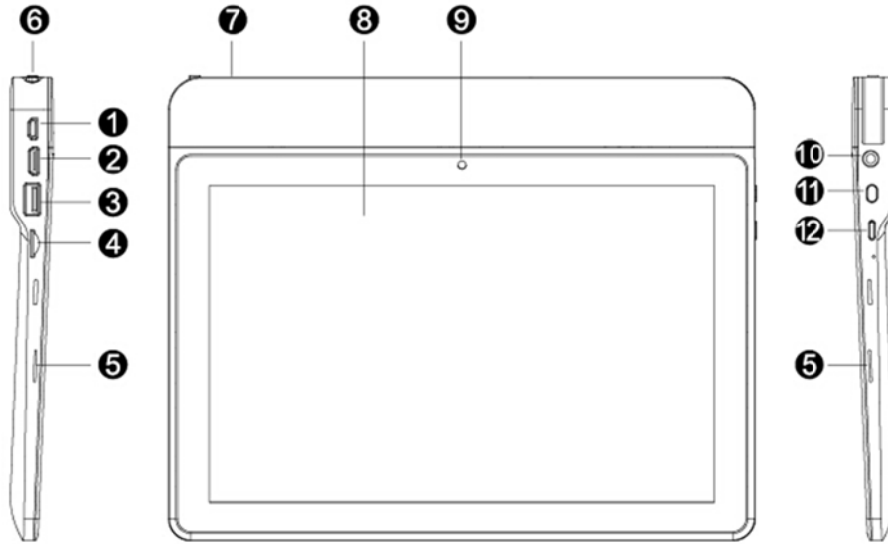
GURUBOOK 5

Android Tablet & Document Camera
Quick Start Guide



For further assistance, visit www.thehovercam.com or contact our Tech Support Team at support@thehovercam.com.

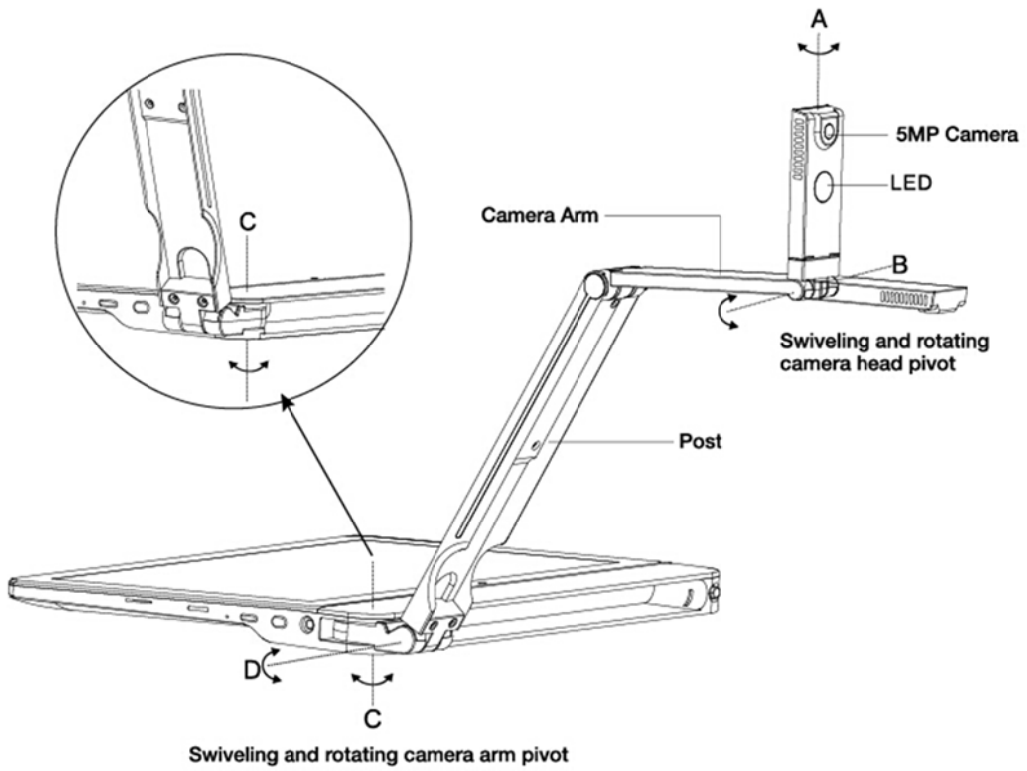
2



- | | | |
|----------------------|----------------|-------------------------|
| ① Micro USB Port | ② HDMI Port | ③ USB Port |
| ④ Micro SD Card Slot | ⑤ Speaker | ⑥ Camera Release Button |
| ⑦ Document Camera | ⑧ Screen | ⑨ Front Camera |
| ⑩ Headphone Jack | ⑪ Power Button | ⑫ Menu Button |

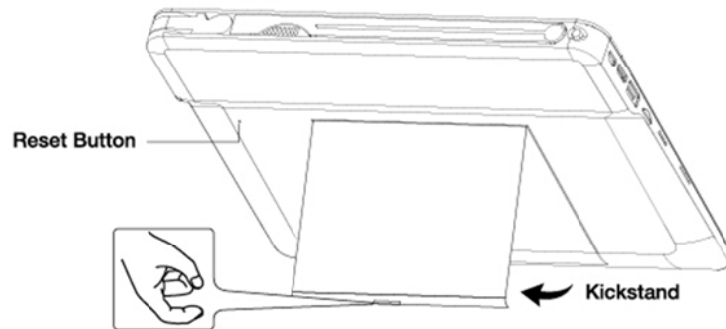
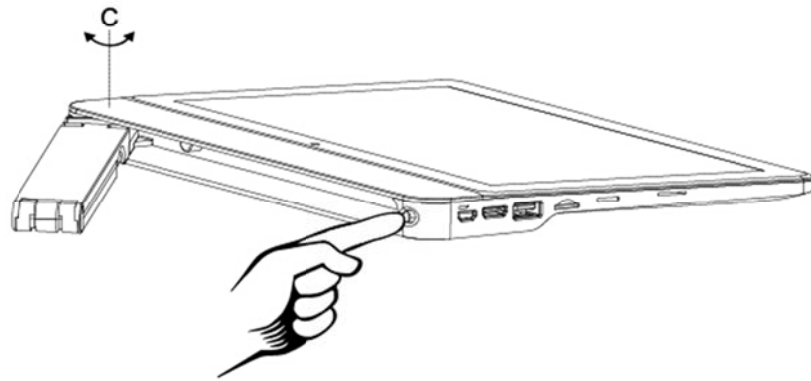
3

GuruBook – Document Camera



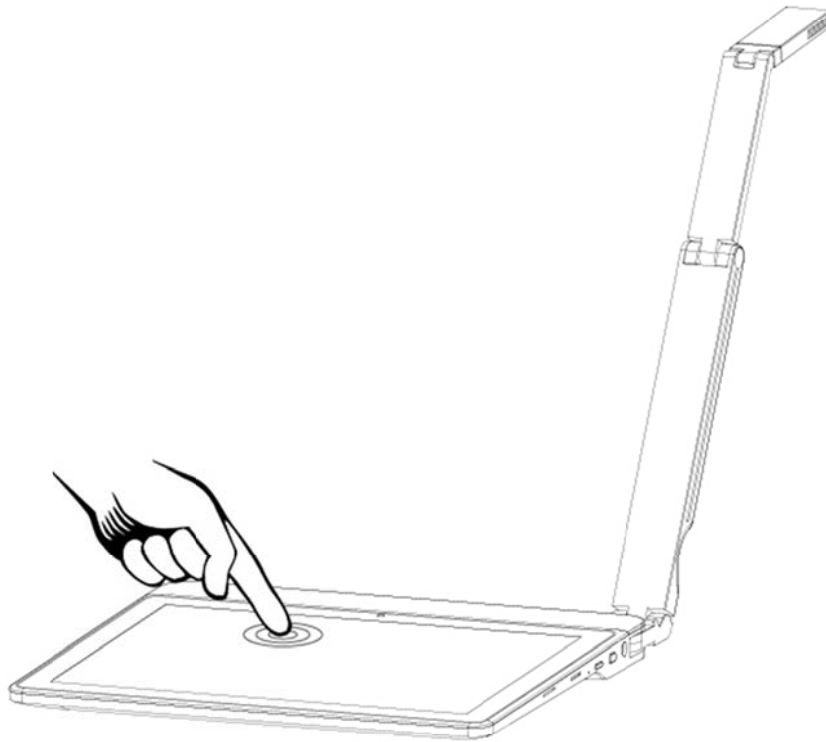
4

GuruBook – How to Release Document Camera



5

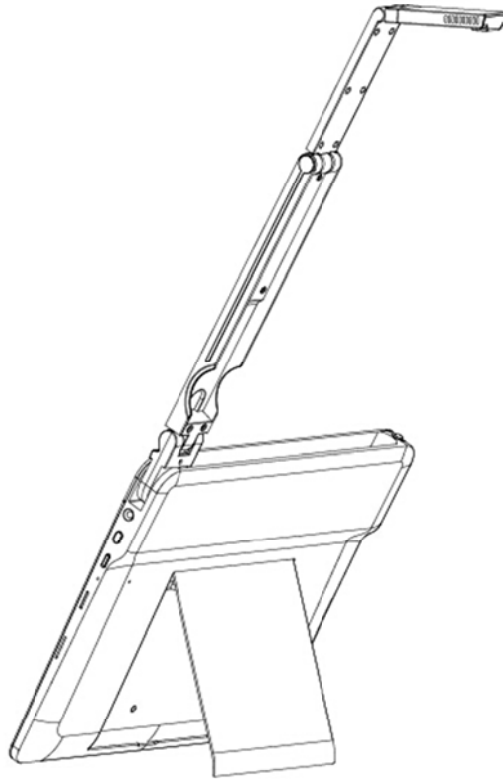
GuruBook – How to Scan an A4 Size



Utilize touch focus, by touching any region on the screen.

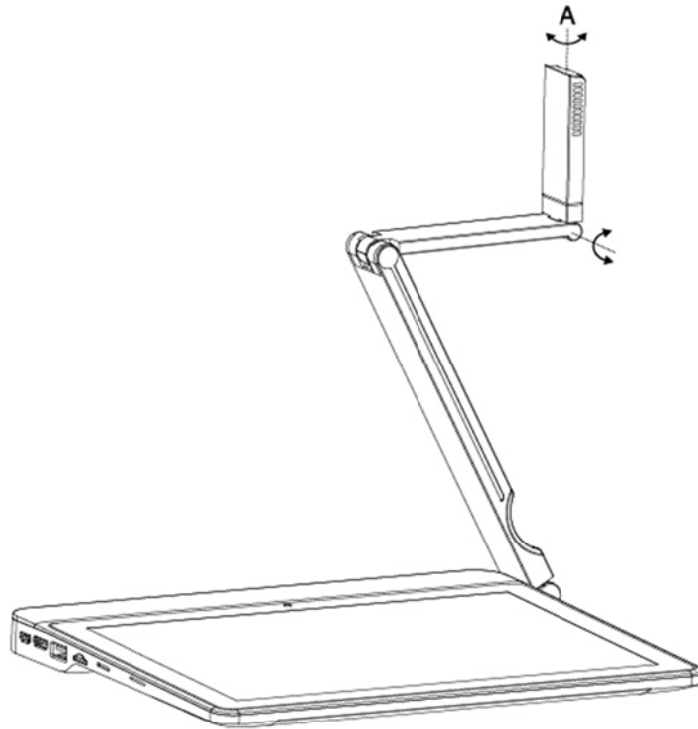
6

GuruBook – How to Scan an A3 Size



7

GuruBook – Optimal Upright Position



8

Product Highlights

- World's first seamlessly integrated Android tablet and foldable document camera
- Slim and sleek design
- 2 cameras: 1.3MP Front Camera | 5MP Document Camera
- 5.0 MegaPixel resolution HD CMOS sensor
- Equipped with 16GB internal storage w/ Micro SD card slot
- Easily connect to a TV wirelessly or via HDMI
- Scans up to A4 size / A3 with kickstand
- Pivoting / Rotating document camera head
- Weighs in at 2.04 pounds and thinner than 1 centimeter
- Features a variety of multi-touch applications and various tools for grading, annotation, whiteboarding, capturing and sharing images and video and more.
- Large 10.1" screen with brilliant high-resolution display delivers crisp, clear and vibrant colors
- Easily download all of your favorite Android apps from Google Play

FCC Statement

This equipment has been tested and found to comply with the limits for a Class B digital device, pursuant to part 15 of the FCC rules. These limits are designed to provide reasonable protection against harmful interference in a residential installation. This equipment generates, uses and can radiate radio frequency energy and, if not installed and used in accordance with the instructions, may cause harmful interference to radio communications. However, there is no guarantee that interference will not occur in a particular installation. If this equipment does cause harmful interference to radio or television reception, which can be determined by turning the equipment off and on, the user is encouraged to try to correct the interference by one or more of the following measures:

- Reorient or relocate the receiving antenna.
- Increase the separation between the equipment and receiver.
- Connect the equipment into an outlet on a circuit different from that to which the receiver is connected.
- Consult the dealer or an experienced radio/TV technician for help.

To assure continued compliance, any changes or modifications not expressly approved by the party.

Responsible for compliance could void the user's authority to operate this equipment. (Example-use only shielded interface cables when connecting to computer or peripheral devices).

This equipment complies with Part 15 of the FCC Rules. Operation is subject to the following two conditions:

- (1) This device may not cause harmful interference, and
- (2) This device must accept any interference received, including interference that may cause undesired operation.

RF warning statement:

The device has been evaluated to meet general RF exposure requirement. The device can be used in portable exposure condition without restriction.

Caution:

Any changes or modifications not expressly approved by the party responsible for compliance could void the user's authority to operate this equipment.