

DT8035 DUAL TEC® Motion Sensor - Installation Instructions

QUICK LINKS

[Mounting Location Guidelines](#)

[Open the Sensor](#)

[Mount the Sensor](#)

[Sensor Components and Settings](#)

[Wire the Sensor](#)

[Walk Test the Sensor](#)

[Detection Patterns](#)

[Relay Operation](#)

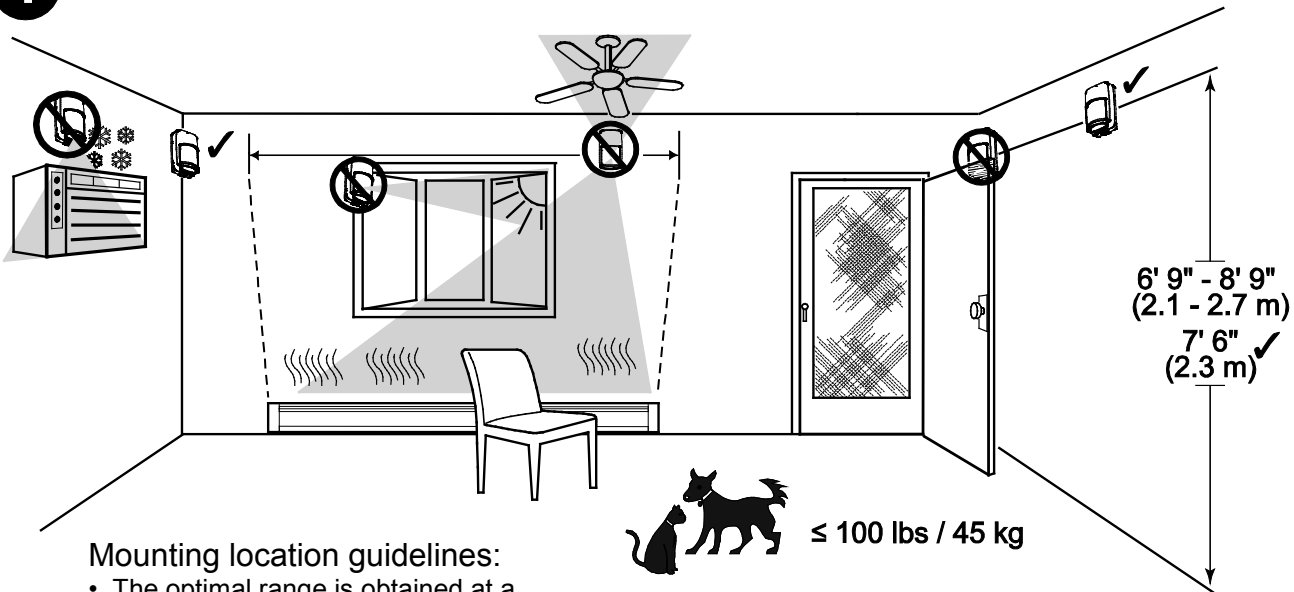
[Troubleshooting](#)

[Sensor Specifications](#)

[Accessories](#)

[Approval / Listings](#)

1 SELECT THE MOUNTING LOCATION

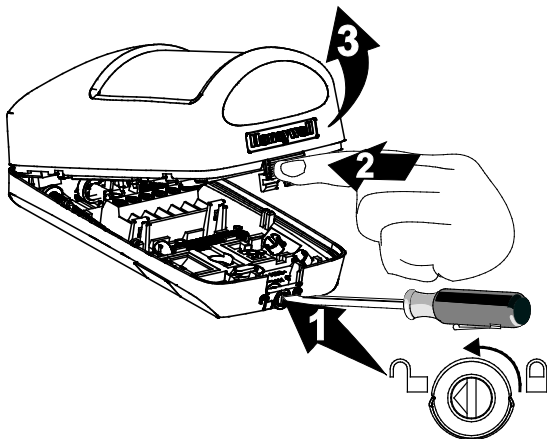


Mounting location guidelines:

- The optimal range is obtained at a mounting height of 7' 6" (2.3 m).
- Allow a clear line-of-sight to all areas to protect.
- Do not directly face windows.
- Avoid close proximity to moving machinery, fluorescent lights, and heating/cooling sources.
- For use in applications with pets up to 100 pounds.

[↑ Top](#)

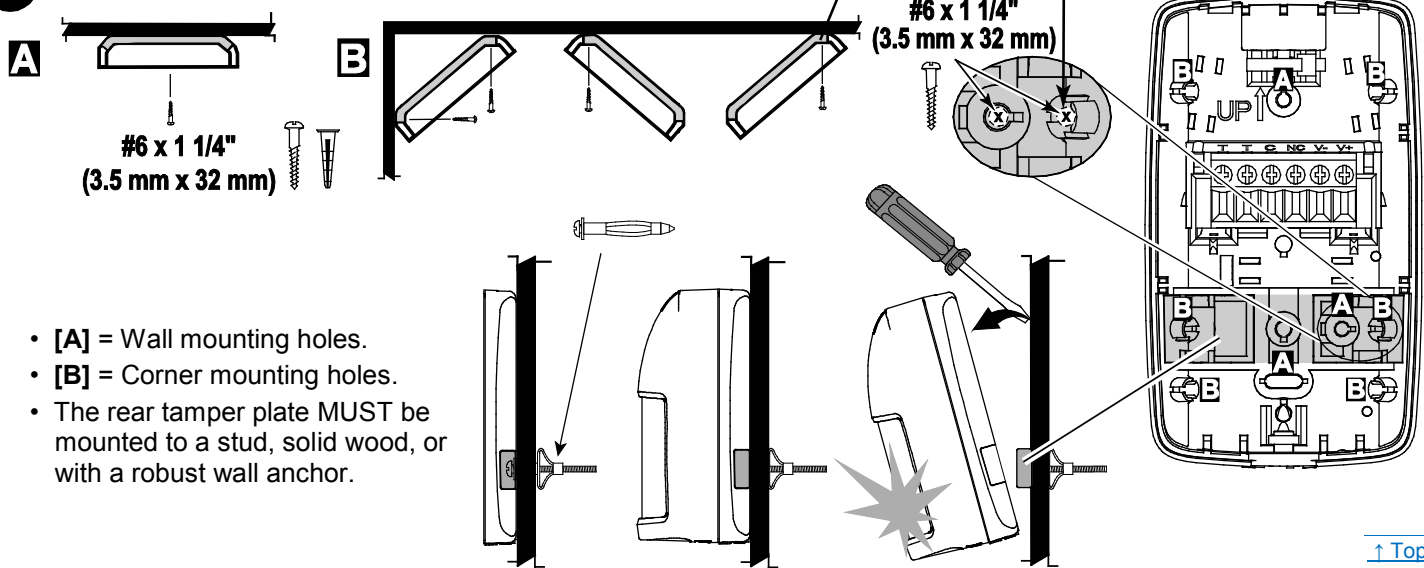
2 OPEN THE SENSOR



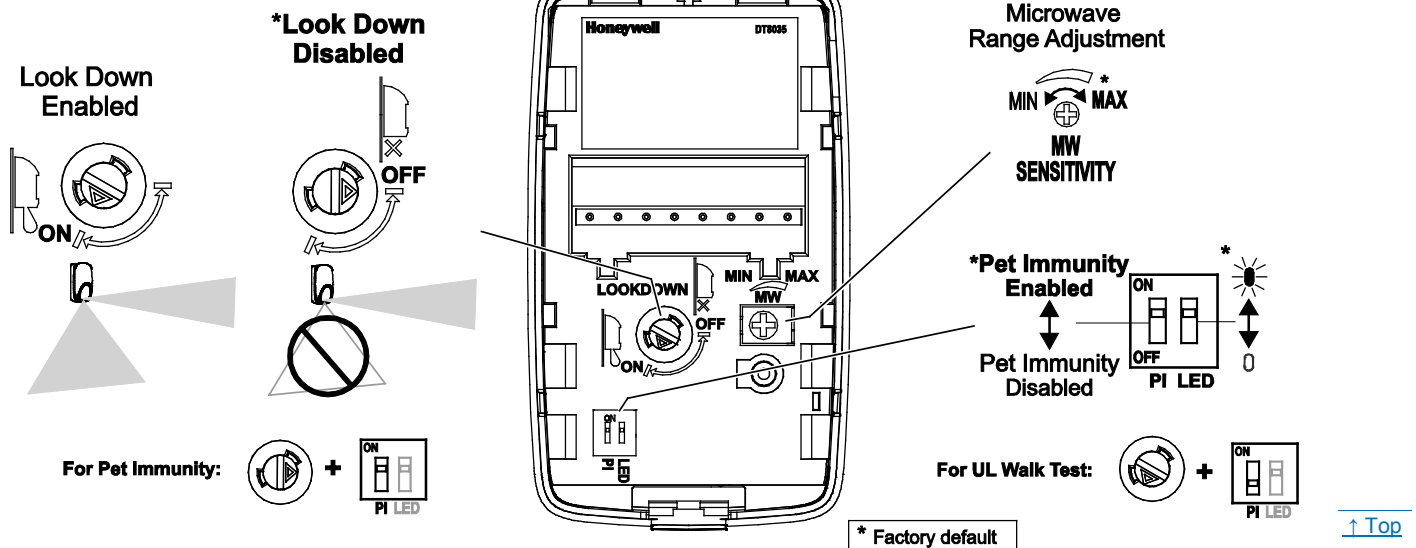
1. Turn the arrow to point to the Unlock symbol.
2. Press firmly on housing latch.
3. Gently separate the front and rear housing.

[↑ Top](#)

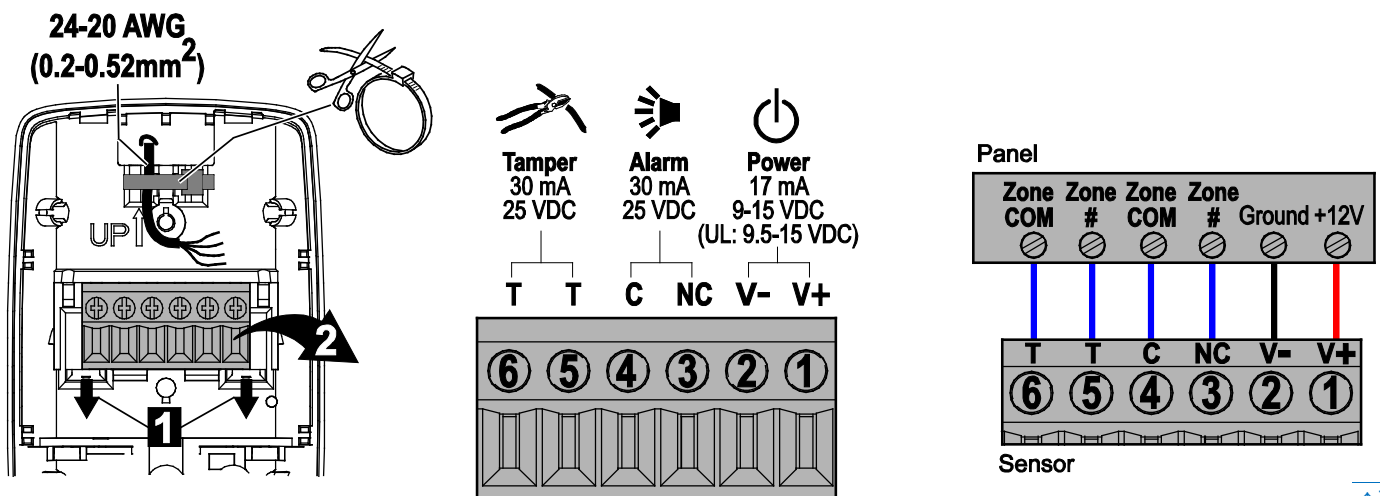
3 MOUNT THE SENSOR



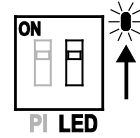
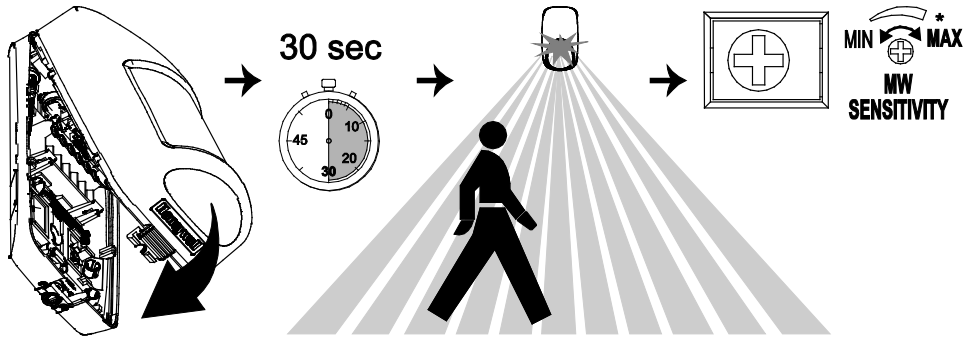
4 SENSOR COMPONENTS AND SETTINGS



5 WIRE THE SENSOR



6 WALK TEST THE SENSOR AND ADJUST AS NEEDED



LED	Power Up	Walk Test	Normal	Trouble
Red	Slow Blink	ON Alarm	ON Alarm	Fast Blink
Yellow	OFF	ON Microwave	ON Microwave	OFF
Green	OFF	ON PIR	ON PIR	OFF

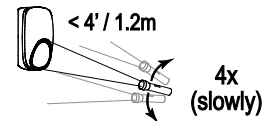
1. Close the sensor and apply power to the sensor. Initialization is complete when the LED stops flashing slowly (about 30 seconds).
2. Walk through the detection area and observe the LED.
3. Adjust the microwave range as necessary to meet installation requirements.

Walk test mode is active for 10 minutes, then automatically exits test mode, disables the LED and enters normal operation mode. For an additional 10 minute walk test, enable Walk Test mode again with the Flashlight feature:

Note: In Walk Test mode the LED is active regardless of the LED Enable/Disable Dip switch setting.

Flashlight Feature:

1. Use a flashlight with a bright light beam, and stand within 4' (1.2 m) of the sensor.
2. Swing past the light beam across the sensor IR window 3-5 times, holding the beam on the window for 0.5 second each pass.



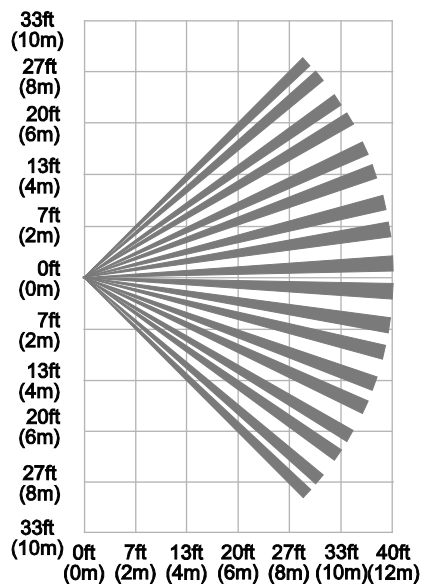
The flashlight feature is only available for the first 24 hours after installation.

[↑ Top](#)

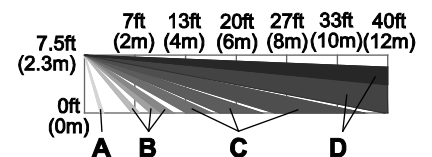
7 DETECTION PATTERNS

Top View

PLAN VIEW ALL ZONES



Side View



Zones

A	2	Look-down
B	18	Lower
C	46	Intermediate
D	36	Long

[↑ Top](#)

RELAY OPERATION

	SENSOR STATUS		
	Normal	Intrusion	Trouble ¹
Alarm Relay	Closed	Open	Open

¹ For information on Trouble conditions, see the [Troubleshooting](#) section.

TROUBLESHOOTING

[↑ Top](#)

	NORMAL	TROUBLE*
		Self-Test Failure ¹
Alarm Relay	Closed	Closed
Red LED	Off	Flashing

*TROUBLE CONDITIONS:

¹ Self-Test Failure conditions:

- Microwave supervision failure: The sensor is operating in PIR mode only.
- PIR self-test failure: The sensor is disabled.
- Temperature compensation failure: The temperature compensation is disabled.

Depending on the Trouble condition, take the following corrective actions:

- Verify the power supply is sufficient (at least 9V at the sensor).
- Cycle power to the sensor.
- [Walk test](#) the sensor.

If the Trouble condition does not clear, replace the sensor.

[↑ Top](#)

SPECIFICATIONS

Range: 40' x 60' / 12 m x 20 m

Power: 9.0 - 15 VDC; 15 mA typical, 17 mA maximum, 12 VDC;
AC Ripple: 3 V peak-to-peak at nominal 12 VDC

Alarm Relay: Energized Form A; 30 mA, 25 VDC, 22 Ohms resistance maximum. Alarm Relay Duration: 3 seconds

Tampers: Cover & Wall; (NC with cover installed) Form A; 30 mA, 25 VDC

Microwave Frequencies: 10.525 GHz

RFI Immunity: 20V/m 10-1000MHz, 15V/m 1000-2700MHz

PIR White Light Immunity: 6,500 Lux typical

Fluorescent light filter: 50 Hz / 60 Hz.

Operating Temperature: 14° to 131° F / -10° to 55° C

Relative Humidity: 5 to 95%; non-condensing

Temperature Compensation: Advanced Dual Slope

Dimensions: 4.57" H x 2.76" W x 1.69" D /
9.8 cm H x 5.7 cm W x 4.35 cm D

Weight: 3.6 oz / 102 g (net weight)

[↑ Top](#)



For the latest documentation and online support information, please go to:
<http://www.security.honeywell.com/hsc/resources/MyWebTech/>

For the latest U.S. warranty information, please go to: www.honeywell.com/security/hsc/resources/wa or
Please contact your local authorized Honeywell representative for product warranty information.

ACCESSORIES

SMB-10 (P/N 0-000-110-01)	Swivel Mount Bracket
SMB-10C (P/N 0-000-111-01)	Swivel Mount Ceiling Bracket
SMB-10T (P/N 0-000-155-01)	Swivel Mount Bracket w/Tamper
DT8-G2 Lens Kit (P/N DT8G2LENS5PK)	Replacement Fresnel Lens Kit – 5 Pack

APPROVAL / LISTINGS:

[↑ Top](#)

- FCC part 15, Class B verified
- IC ICES-003, Class B verified
- UL 639
- ULC S306-03
- SIA-PIR-01 Passive Infrared detector standard features for false alarm immunity.

Product must be tested at least once each year.

For appropriate wiring methods, refer to the National Electrical Code NFPA 70 and the Canadian Electrical Code (where applicable).

Power must be provided by a power-limited UL603 Listed burglar alarm power supply with minimum 4 hours of standby power capability, or from a power-limited output of a UL Listed burglar alarm control unit with minimum 4 hours of standby power capability.

Accessories not evaluated by UL. For UL applications, enable [look down](#) and disable [pet immunity](#).

FEDERAL COMMUNICATIONS COMMISSION STATEMENTS

The user shall not make any changes or modifications to the equipment unless authorized by the Installation Instructions or User's Manual. Unauthorized changes or modifications could void the user's authority to operate the equipment.

CLASS B DIGITAL DEVICE STATEMENT

This equipment has been tested to FCC requirements and has been found acceptable for use. The FCC requires the following statement for your information:

This equipment generates and uses radio frequency energy and if not installed and used properly, that is, in strict accordance with the manufacturer's instructions, may cause interference to radio and television reception. It has been type tested and found to comply with the limits for a Class B computing device in accordance with the specifications in Part 15 of FCC Rules, which are designed to provide reasonable protection against such interference in a residential installation. However, there is no guarantee that interference will not occur in a particular installation. If this equipment does cause interference to radio or television reception, which can be determined by turning the equipment off and on, the user is encouraged to try to correct the interference by one or more of the following measures:

- If using an indoor antenna, have a quality outdoor antenna installed.
- Reorient the receiving antenna until interference is reduced or eliminated.
- Move the radio or television receiver away from the receiver/control.
- Move the antenna leads away from any wire runs to the receiver/control.
- Plug the receiver/control into a different outlet so that it and the radio or television receiver are on different branch circuits.
- Consult the dealer or an experienced radio/TV technician for help.

INDUSTRY CANADA CLASS B STATEMENT

This Class B digital apparatus complies with Canadian ICES-003.

Cet appareil numérique de la classe B est conforme à la norme NMB-003 du Canada.

FCC / IC STATEMENT

This device complies with Part 15 of the FCC Rules, and RSS210 of Industry Canada. Operation is subject to the following two conditions: (1) This device may not cause harmful interference, and (2) This device must accept any interference received, including interference that may cause undesired operation.

Cet appareil est conforme à la partie 15 des règles de la FCC & de RSS 210 des Industries Canada. Son fonctionnement est soumis aux conditions suivantes: (1) Cet appareil ne doit pas causer d'interférences nuisibles. (2) Cet appareil doit accepter toute interférence reçue y compris les interférences causant une réception indésirable.