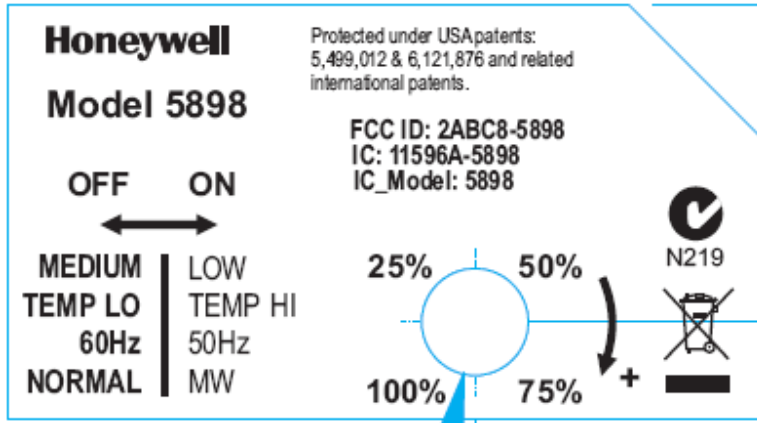
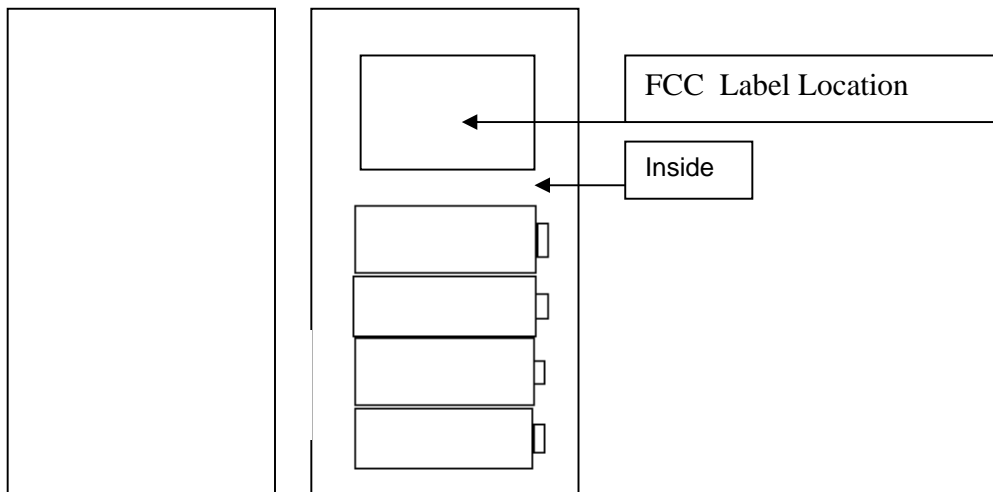


PROPOSED FCC ID LABEL AND LOCATION

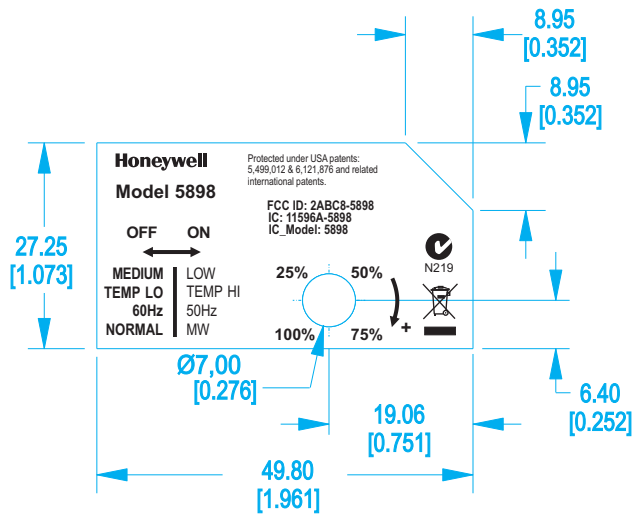
FCC ID: 2ABC8-5898



EUT:



EN	REV	DESCRIPTION	CHK	DATE	APPVD	DATE
EC-47184	A	Production Release	Ting	07/15	Terry	07/15



Notes: Unless otherwise specified

1. MATERIAL: Material: White Polyester, Honeywell P/N 5-045-024-00. Alternate: P/N 5-045-034-00 (Specification for label material: UL Recog. PGDQ2 OR PGGU2).
2. PRINT COLOR: Black Ink
3. ARTMASTER: 800-21069A.EPS
4. SOURCE FILE FORMAT: CorelDraw V13.0.
5. Bag and tag with P/N, and revision, vendor name or logo.

ECO No.: EC-47184	Drawing No.: 800-21069	Rev.: A	Title: Label,Hook-Up/Compliance,5898VE
Approvals: DWN. Ting.G	Date: 07/15	Unless otherwise specified: Dimensions are in millimeters [inches]. Tolerances are: .X ? 0.3 [01] .XX ? 0.13 [.005] Angles +/- 0.5?	
CHECK Terry.Z	Date: 07/15	All information contained hereon is the property of Honeywell and is considered proprietary and subject to return upon demand. Acceptance and retention hereof signifies agreement by the recipient that the information will not be disclosed to others nor used contrary to the interests of Honeywell without prior written permission.	
APPRV.		Do Not Scale Drawing	Size: A
		Scale: 1:1	Page: 1 of 1

Honeywell