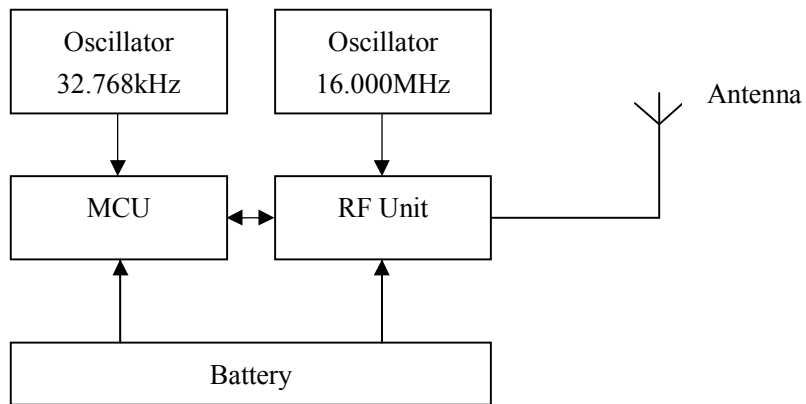


1. Block Diagram of Bluetooth Speaker Hardware Structure and Function  
FCC ID: 2ABC2-D94B



The RF Unit's crystal oscillator frequency is 16.000MHz.  
The MCU's crystal oscillator frequency is 32.768kHz