

# User Manual



Bluetooth® Keyboard for **iPad2/New iPad/iPad4**

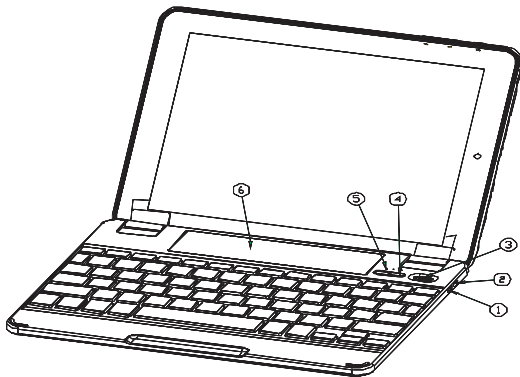
## QUICK GUIDE

Thank you for buying the Notebook style Bluetooth Keyboard with Bluetooth Speaker and power charging function for the iPad 2&new iPad&iPad4. We are confident that this product is a great compliment and enhancement to your iPad. Please read the following instructions carefully so that you can become acquainted with the functions of this product.

### 1) Package contents

- Bluetooth Keyboard with Bluetooth Speaker (1)
- Micro to USB 2.0 cable (1)
- Micro to USB 2.0 receptacle adapter (1)
- Operating instructions (1)
- Protective cover for iPad (1)
- Protective covering for Hinge (3)

### 2) Product Overview



- ①: Charge output: Charge your iPad, iPhone and most 5V devices with the provided USB cable adapter.
- ②: Charge input: Charge the keyboard
- ③: Power On/Off Switch (Bluetooth Keyboard and Bluetooth Speaker)
- ④: Power Button for the Charging function
- ⑤: Bluetooth speaker pairing ON/OFF Button
- ⑥: Bluetooth speaker



Fn + Bluetooth Icon (  ) activates the Bluetooth Keyboard pairing


### 3) Operating steps

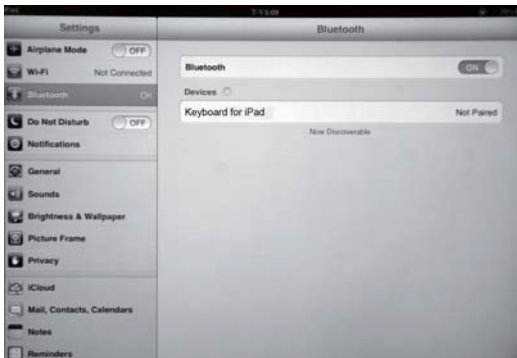
**Note:** Please connect to the keyboard first before connecting with the speaker.

Set the power "on/off" switch to "on" to power on the keyboard

#### A) Keyboard Pairing Connection

**NOTE:** With standard usage, the keyboard can function more than one year between charges (based on 8 hours per day using the Keyboard only)

- Press and hold the Fn + Bluetooth Icon (  ) to activate the Bluetooth Keyboard pairing
- Turn on your iPad 2&New iPad &iPad4 and select "SETTINGS" → "GENERAL" → "BLUETOOTH"



- c) The status light will flash on the Keyboard and the iPad 2 or New iPad or iPad4 will display "Keyboard for iPad" (KB) as an available device.
- d) Select " Keyboard for iPad" (KB) on the iPad 2 or New iPad or iPad4. The iPad 2 or New iPad or iPad4 will display a code.




- e) Type the code on the Keyboard and press enter. The keyboard will now be paired to the iPad 2 or New iPad or iPad4.

#### Reconnecting Keyboard:

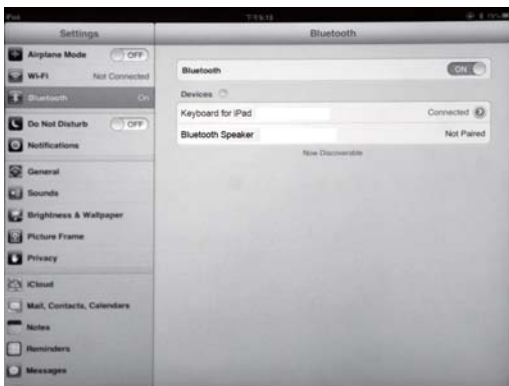
Once already paired, the keyboard will automatically connect to the same device the next time you turn on the power switch.

#### B) Bluetooth Speaker Connection

Note: When the device is fully charged, the Bluetooth speaker can play continuously for up to 14 hours. Once the keyboard battery is low, the speaker will automatic turn off. You are still able to use the remaining power in the battery to charge your iPad or other devices.

Press and hold the  button (5 in the Product Overview illustration) up to 4 seconds and then release when you hear the voice prompt the speaker is "ready to pair".


The status light will flash on the Keyboard and the iPad 2 or New iPad or iPad4 will display "**Bluetooth Speaker**" (SPKR) as an available device.




Select "**Bluetooth Speaker**" (SPKR) on the iPad 2 or New iPad or iPad4. The speaker will now be paired to the iPad 2 or New iPad or iPad4.



#### Disconnecting Speaker:

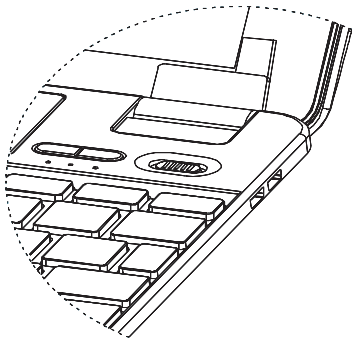
To turn off the Bluetooth speaker, please press and hold the  button (5 in the Product Overview illustration) until the voice prompts the speaker is powered off.

### Reconnecting Speaker:

Press and hold the  button (⑤ in the Product Overview illustration) for 2 seconds and release when you hear the voice prompt the speaker is powered on. The Bluetooth speaker will automatically reconnect to the previously paired device.

### C) Charging Operation

**IMPORTANT NOTE:** Please make sure to use the CHARGE INPUT port when charging the keyboard. If the USB cable was connected to the CHARGE OUTPUT port to charge the keyboard, there is a risk of damaging the keyboard



#### a) Charging the Keyboard

Please connect the USB cable to the CHARGE INPUT port on the keyboard. You may then connect the USB cable to a computer's USB port, or use an iPad, or iPhone USB power adapter to charge the keyboard.


Please note the following estimated length of time to fully charge the keyboard:

- 1) using iPad USB power adapter: 10 hours
- 2) using computer USB port: 15 hours
- 3) using iPhone USB power adapter: 15 hours

The red light will flash while charging and become solid when fully charged.

#### b) Charging the iPad and most 5V portable devices

The Keyboard can charge most 5V portable devices using the charging output port with the provided cable adapter.

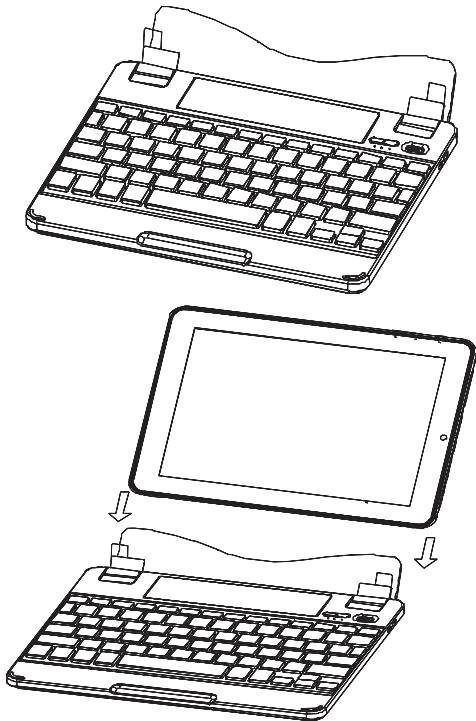
Before charging a device, please use the provided USB receptacle adapter and make sure it is connected to the CHARGE OUTPUT port. Please connect the device's USB cable to the provided USB receptacle adapter. Press the  button (④ in the Product Overview illustration) and the green

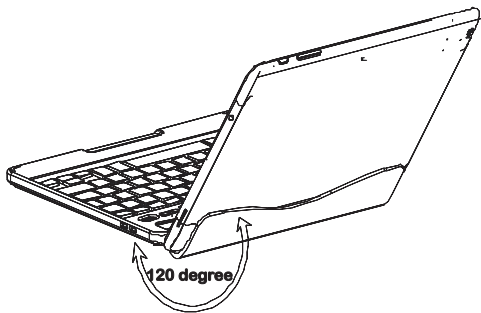
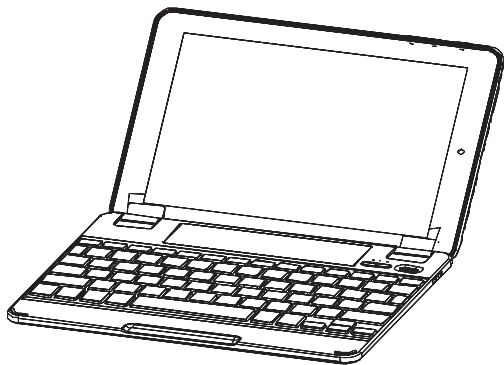
light will flash signifying the Keyboard is charging the device. During the charging process, the green light will flash twice each minute. The Keyboard will automatic turn off the charging output function if the device is disconnected for 10 seconds.

Please note the power LED will flash 10 times when the Keyboard battery does not have any power.

#### 4) Using the Keyboard with the iPad

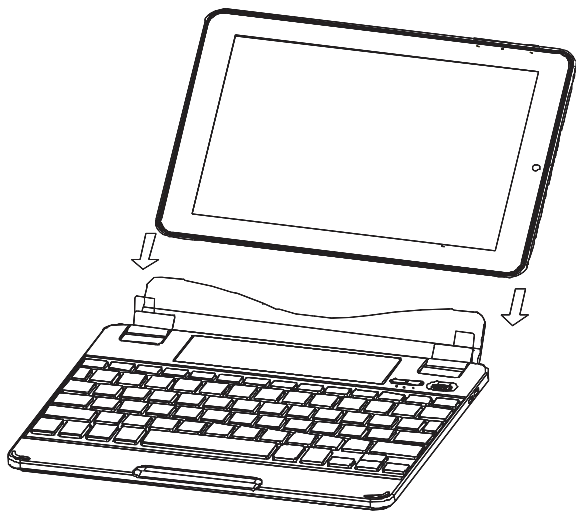
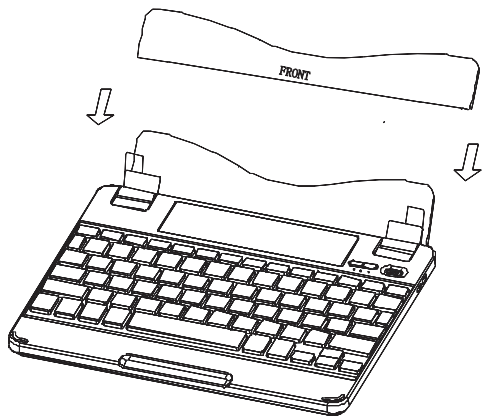
1. iPad with the Protective iPad Cover. First affix the cover onto your iPad. Make sure to remove the long protective covering for the hinge.

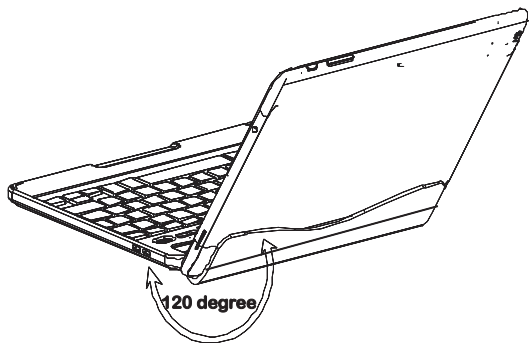




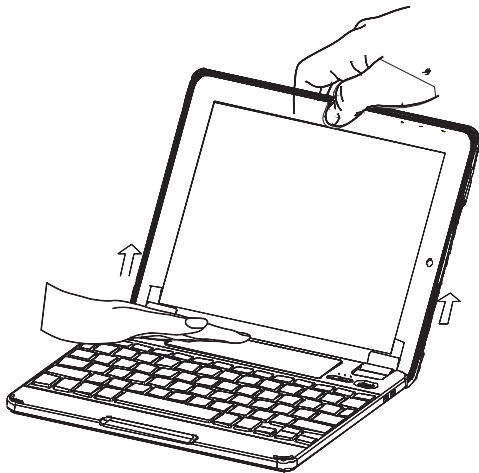
2: iPad without the Protective iPad Cover. Please make sure to put on the long Protective covering for the hinge.







3. To remove your iPad from Keyboard, please refer to the following illustration:



## 5) Special iPad function hotkeys



The Bluetooth Keyboard was designed with special iPad function hotkeys to give you more control to your iPad 2& NEW iPad&iPad4

- 🏠 Home button – brings you to the iPad home screen
- 🗂️ Keyboard hide/show- shows or hides the iPad on screen keyboard
- 🔍 Search -Brings up the iPad search screen
- 📄 Select All-Selects all elements
- 📄 Copy-Copies the selected elements
- 📄 Paste-Paste the selected elements that was previously copied
- 📄 Cut-Cuts out the selected elements
- ⏮️ Previous track – navigate to the previous track on current playlist
- ⏸️ Play/pause – starts or pauses current track on playlist
- ⏭️ Next track – navigate to the next track on current playlist
- 🔇 MUTE – Mutes audio on the iPad
- 🔊 VOLUME DOWN – decreases the volume on your iPad
- 🔊 VOLUME UP –Increases the volume on your iPad
- 🔒 Black Screen— turn your iPad screen off or restore the screen when pressed again

### **Instructions for safety and use:**



*Only qualified persons may perform technical work on the product. The product may not be opened or changed. The components cannot be serviced by the user.*



*Protect the device from extremely high and low temperatures and temperature fluctuations. Use the device within an ambient temperature of 10° C to 40° C.*



*Never place the device close to a source of heat, and protect it from direct sunlight.*

#### Notes:



*If this device is exposed to electrostatic discharge, the functionality of it could be affected. Please restart your device.*



*Please keep in mind that through a battery detaching your device will eventually get broken. You should remove the battery only, if your device is disused and shall be forwarded to the disposal.*

The manufacturer retains the right to continually improve the product. These changes may be made without being directly described in these operating instructions. For this reason, the information provided in these operating instructions may not reflect the current state of the art.

The manufacturer only guarantees suitability for the product's intended purpose. In addition, the manufacturer is not responsible for damages or loss of data and subsequent consequences.

Mac OS and iPad® is a registered trademark of Apple Inc. in the United States and/or other countries.

Bluetooth is a registered trademark of Bluetooth® SIG, Inc.

### **FCC STATEMENT**

This equipment has been tested and found to comply with the limits for a Class B digital device, pursuant to part 15 of the FCC Rules.

These limits are designed to provide reasonable protection against harmful interference in a residential installation.

This equipment generates, uses and can radiate radio frequency energy and, if not installed and used in accordance with the instructions, may cause harmful interference to radio communications. However, there is no guarantee that interference will not occur in a particular installation.

If this equipment does cause harmful interference to radio or television reception, which can be determined by turning the equipment off and on, the user is encouraged to try to correct the interference by one or more of the following measures:

- Reorient or relocate the receiving antenna.
- Increase the separation between the equipment and receiver.
- Connect the equipment into an outlet on a circuit different from that to which the receiver is connected.
- Consult the dealer or an experienced radio/TV technician for help.

This equipment complies with FCC radiation exposure limits set forth for an uncontrolled environment.

This equipment should be installed and operated with minimum distance 20cm between the radiator & your body.

### **FCC NOTICE**

This device complies with Part 15 of the FCC rules . Operation is subject to the following two conditions:

(1) This device may not cause harmful interference; and (2) this device must accept any interference received, including interference that may cause undesired operation.

### **FCC CAUTION**

caution the user that changes or modifications not expressly approved by the party responsible for compliance could void the user's authority to operate the equipment.