

**H9L**

**User Guide**

**Dynamic Over-Ear Wireless Stereo Headset**

## Introduction

Enjoy your tunes and answer calls without wires with the H9L dynamic Bluetooth headset. Boasting up to 30 hours of talk time, 26 hours of listening time you will have your tunes set up for the entire week. Immersive, high-res sound, and powerful speaker drivers deliver the right balance of rich bass, crisp highs, and natural mid-tones for your music. Slip into serenity with H9L

## Packaging Contents

- H9L
- User guide
- Charging Cable
- 3.5mm Aux-in Cable

## Specifications

- **Bluetooth Version: v5.0**
- **Bluetooth Chipset: AB1522U**
- **Bluetooth Profile: HFP, A2DP, AVRCP, HSP ,SPP**
- **Input Voltage: 5V**
- **Bluetooth Frequency: 2.4 ~ 2.48GHz**
- **Impedance: 32Ω**
- **Charging Time 2.5 hours**
- **Usage Time: 30 hours**
- **Standby Time: 880 hours**
- **Battery Capacity 500mAh**
- **Battery Type: Polymer Lithium Battery**
- **Operating Distance: 10m**

## Features

- **Ergonomic Design:** H9L is ergonomically designed to fit the unique contour of your ears for extended comfort.
- **Sweat-Proof:** Combined with the lab-tested sweat- and water-resistant design, this allows you to forget about your earphones and listen to high quality sound
- **Audio Evolved:** Experience acoustic bliss with wirelessly streamed audio that lets you feel every note of your music when you hear it.
- **Ultra-Portable:** The ultra-light weight design and foldable headband makes H9L a very portable accessory to use, even on the move.
- **Long Battery Life:** Built-in rechargeable lithium polymer battery that supports up to 26 hours play-time

- **Compatibility:** H9L is compatible with all Android, iOS and other Bluetooth-enabled devices.

### **Compatibility**

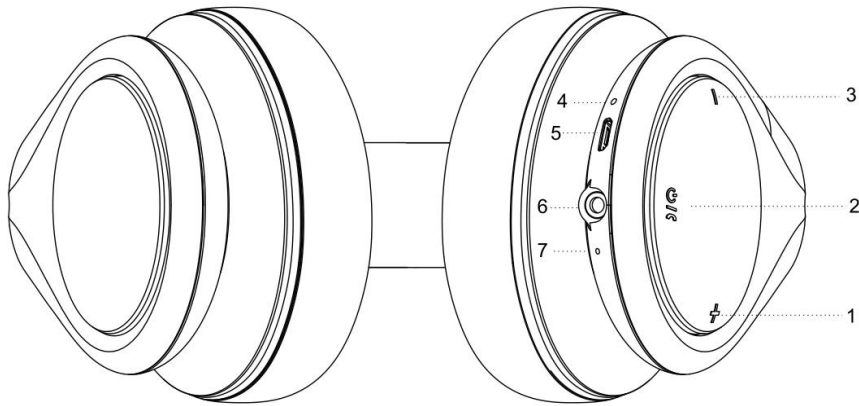
H9L can be paired to any Bluetooth enabled device.

### **Precautions**

Please read all safety instructions and warnings thoroughly before using this product. Improper use of this product may result in damage to this or attached products.

1. Do not disassemble the product or attempt to fix it.
2. Kindly use an original charging cable provided to charge the product.
3. Do not attempt to replace any part of this product or battery inside.
4. Do not crush, puncture, dispose of in fire, short the contacts or expose the product to water or other liquids.
5. Do not store or use the product in a high temperature environment, including intense sunlight or heat.
6. Avoid drops, bumps, abrasions and impacts.
7. If there is any reason to believe that there is damage to the product, discontinue use immediately.
8. If you find that the product is too hot, is emitting an odor, or is deformed, punctured or exhibits any suspicious or abnormal behavior, discontinue use immediately and contact our customer service.
9. Always charge this product before extended storage.

**Appearance & Interface Description (provide appropriate image)**



1. Next Track / Volume +
2. Multifunction Button
3. Previous Track / Volume -
4. Mic
5. Micro USB Charging Port
6. Aux-in Port
7. LED Indicator

## Operation Instructions

### 1. Switching H9L On/Off

- To turn on **H9L**, press and hold the Multi-Function Button for about 3 seconds until the LED starts flashing.
- To turn off **H9L**, again, press and hold the Multi-Function Button for about 3 seconds.

### 2. Pairing H9L

- Before connecting **H9L** to your device, make sure that **H9L** is in pairing mode. In order to enter pairing mode, press and hold the Multi-Function Button for 6 seconds, until Red and Blue LED start flashing alternatively.
- Turn on the Bluetooth function of the device you wish to connect and search for “**H9L**”. From the list of found devices, select “**H9L**”.
- Concord is now connected to your device.

### 3. Call Function

- **Answering a Call:** Press the Multi-Function Button once to answer an incoming call.
- **Ending a Call:** Press the Multi-Function Button once to end an ongoing call.
- **Redial Function:** Under standby mode, double press the Multi-Function Button to redial the last dialed call.
- **Reject Call:** Press and hold the multi-function button for 2 seconds during an incoming call

### 4. Adjusting Volume and Controlling Music Playback

- **Volume Control:** Long press the Volume “+” button to increase the volume. Long press the Volume “-“button to decrease the volume.
- **Music Play/Pause:** During standby mode, short press the Multi-Function Button once to Play music. Again, short press the Multi-Function Button to Pause the ongoing track.
- **Navigating Through Tracks:** While playing music, short press and hold the Volume “+” button once to skip to the next track. Short press the Volume “-“button once to skip to the previous track.

### 5. Using the Wired Mode

- Plug in the 3.5mm cable into Concord, and the other end into your Line-Out port of your device
- The headset will automatically start playing in Wired media mode

## 6. Charging H9L

- Plug one end of the charging cable into **H9L** charging input and the other end into a USB Power Adapter or a Laptop/Desktop.
- The Red LED turns on to indicate that your headset is charging.
- Once completely charged the LED will turn off.
- For your safety, it is recommended that you refrain from using the headset while it is charging.

## Troubleshooting

1. The headset does not pair with a Bluetooth device:
  - Check if the Bluetooth hardware on your device supports A2DP profile which is necessary for sound transmission over Bluetooth

NOTE: This equipment has been tested and found to comply with the limits for a Class B digital device, pursuant to part 15 of the FCC Rules. These limits are designed to provide reasonable protection against harmful interference in a residential installation. This equipment generates uses and can radiate radio frequency energy and, if not installed and used in accordance with the instructions, may cause harmful interference to radio communications. However, there is no guarantee that interference will not occur in a particular installation. If this equipment does cause harmful interference to radio or television reception, which can be determined by turning the equipment off and on, the user is encouraged to try to correct the interference by one or more of the following measures:

- Reorient or relocate the receiving antenna.

- Increase the separation between the equipment and receiver.

-Connect the equipment into an outlet on a circuit different from that to which the receiver is connected.

-Consult the dealer or an experienced radio/TV technician for help

Changes or modifications not expressly approved by the party responsible for compliance could void the user's authority to operate the equipment.

This device complies with Part 15 of the FCC Rules. Operation is subject to the following two conditions:

(1) this device may not cause harmful interference, and

(2) this device must accept any interference received, including interference that may cause undesired operation.