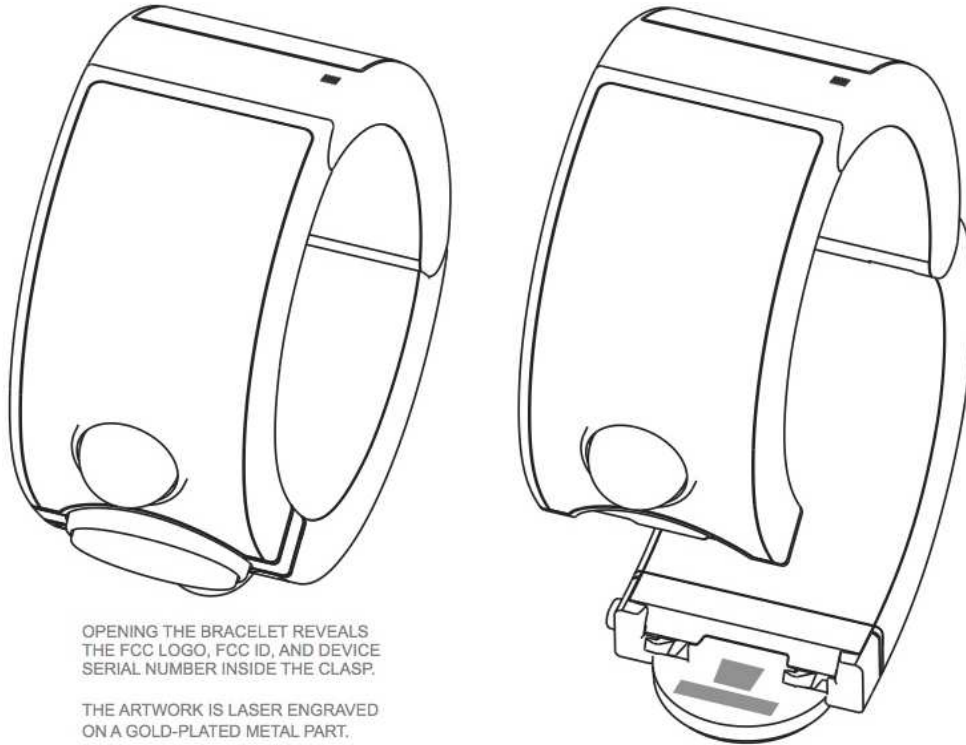


# McKee 2 PVT/DVT2 Form Factor Board (Rigid-Flex)

## REV 1.0

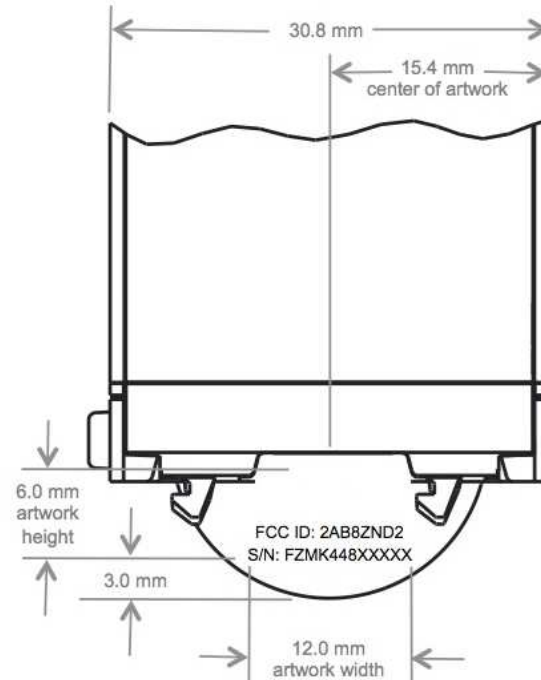
DIAD\_BAND\_3G

 **Disk Not Ejected Properly**  
Eject "KINGSTON" before  
disconnecting or turning it off.



OPENING THE BRACELET REVEALS  
THE FCC LOGO, FCC ID, AND DEVICE  
SERIAL NUMBER INSIDE THE CLASP.


THE ARTWORK IS LASER ENGRAVED  
ON A GOLD-PLATED METAL PART.



**.-003**  
**15-300**

05	eSIM, SENSORS
06	DISPLAY INTERFACE
07	AG620 PMU
08	BATTERY CHARGING, USB
09	AG620 AUDIO
10	AG620 GNSS
11	AG620 RF MAIN
12	AG620 RF MAIN
13	TEST POINTS/TRACE/DEBUG
14	REVISION HISTORY

BLOCK	I2C BUS#	SLAVE ADDRESS	DEVICE
TOUCH CONTROLLER	1	0x4A	mXT1125
AMBIENT LIGHT SENSOR	2	0x39	TMD37823
PROXIMITY DETECTOR	2	0x29	TSL27717
ACCELEROMETER/ GYRO	2	0x68	MPU-6050
HAPTIC DRIVER	2	0x5A	DRV2605
BATTERY CHARGER	5	0x6B	FAN54020

INTEL CORPORATION 2200 Mission College Blvd. Santa Clara, CA 95054			
TITLE: McKee 2 Form Factor Board	DOCUMENT NUMBER: H53901-003	REV: 1.0	
TITLE PAGE		Sheet 1 of 14	
DATE: Friday, November 21, 2014			