

## FCC SAR Test Report

**Product** : WisePad 2 Plus  
**Trade mark** : BBPOS  
**Model/Type reference** : WPP23  
**Serial Number** : N/A  
**Report Number** : EED32J00113707  
**FCC ID** : 2AB7X-WPP23  
**Date of Issue:** : Jul. 27, 2017  
**Test Standards** : Refer to Section 1.5  
**Test result** : PASS

Prepared for:

**BBPOS International Limited**

**Suite 1602, 16/F, Tower 2, Nina Tower, No. 8 Yeung Uk Road,**

**Tsuen Wan, NT, Hong Kong**

Prepared by:

**Centre Testing International Group Co., Ltd.**

**Hongwei Industrial Zone, Bao'an 70 District,**

**Shenzhen, Guangdong, China**

**TEL: +86-755-3368 3668**

**FAX: +86-755-3368 3385**

Compiled by:

*Kevin Yung*

Reviewed by:

*Kevin Lam*

Approved by:

*Sheek Luo*

Date:

Jul. 27, 2017

Lab supervisor

Check No.: 2496595088



**Table of contents**

**1 General information..... 5**

**1.1 Notes.....5**

**1.2 Application details..... 5**

**1.3 Statement of Compliance..... 6**

**1.4 EUT Information..... 7**

**1.5 Test standard/s..... 8**

**1.6 RF exposure limits..... 9**

**1.7 SAR Definition.....9**

**1.8 Testing laboratory..... 10**

**1.9 Test Environment..... 10**

**1.10 Applicant and Manufacturer..... 10**

**2 SAR Measurement System Description and Setup..... 11**

**2.1 The Measurement System Description..... 11**

**2.2 Probe description..... 12**

**2.3 Data Acquisition Electronics description..... 13**

**2.4 SAM Twin Phantom description..... 14**

**2.5 ELI4 Phantom description..... 15**

**2.6 Device Holder description..... 16**

**3 SAR Test Equipment List..... 17**

**4 SAR Measurement Procedures..... 18**

**4.1 Spatial Peak SAR Evaluation..... 18**

**4.2 Data Storage and Evaluation..... 19**

**4.3 Data Storage and Evaluation..... 23**

**5 SAR Verification Procedure..... 25**

**5.1 Tissue Verification..... 25**

**5.2 System check procedure..... 27**

**5.3 System check results..... 28**

**6 SAR Measurement variability and uncertainty..... 29**

**6.1 SAR measurement variability..... 29**

**6.2 SAR measurement uncertainty..... 29**

**7 SAR Test Configuration..... 30**

**7.1 GSM Test Configurations..... 30**

**7.2 UMTS Test Configurations..... 30**

**7.3 WIFI 2.4G Test Configurations..... 34**

**8 SAR Test Results..... 36**

<b>8.1 Conducted Power Measurements.....</b>	<b>36</b>
8.1.1 Conducted Power of GSM850.....	36
8.1.2 Conducted Power of GSM1900.....	37
8.1.3 Conducted Power of UMTS Band II.....	37
8.1.4 Conducted Power of UMTS Band V.....	38
8.1.5 Conducted Power of WiFi 2.4G.....	38
8.1.6 Conducted Power of BT.....	39
<b>8.2 SAR test results.....</b>	<b>40</b>
8.2.1 Results overview of GSM850.....	41
8.2.2 Results overview of GSM1900.....	42
8.2.3 Results overview of UMTS Band V.....	42
8.2.4 Results overview of UMTS Band II.....	43
8.2.5 Results overview of WiFi 2.4G.....	44
<b>8.3 Multiple Transmitter Information.....</b>	<b>45</b>
<b>8.4 Stand-alone SAR.....</b>	<b>46</b>
<b>8.5 Simultaneous Transmission Possibilities.....</b>	<b>47</b>
<b>8.6 SAR Summation Scenario.....</b>	<b>48</b>
<b>8.7 Simultaneous Transmission Conclusion.....</b>	<b>48</b>
<b>Annex A: Appendix A: SAR System performance Check Plots.....</b>	<b>49</b>
<b>Annex B: Appendix B: SAR Measurement results Plots.....</b>	<b>49</b>
<b>Annex C: Appendix C: Calibration reports.....</b>	<b>49</b>
<b>Annex D: Appendix D: Photo documentation.....</b>	<b>49</b>

Modified History

REV.	Modification Description	Issued Date	Remark
REV.1.0	Initial Test Report Release	Jul. 27, 2017	

## 1 General information

### 1.1 Notes

The test results of this test report relate exclusively to the test item specified in this test report.

Centre Testing International Group Co., Ltd. does not assume responsibility for any conclusions and generalisations drawn from the test results with regard to other specimens or samples of the type of the equipment represented by the test item. The test report is not to be reproduced or published in full without the prior written permission.

### 1.2 Application details

Date of receipt of test item: 2017-06-07

Start of test: 2017-06-12

End of test: 2017-07-17

### 1.3 Statement of Compliance

The maximum results of Specific Absorption Rate (SAR) found during testing for BBPOS International Limited. Model Name:WPP23 are as below:

Band	MAX Reported SAR (W/kg)		
	1-g Head	10-g Extremity (0mm)	1-g Hotspot (10mm)
GSM850	NA	0.779	NA
GSM1900	NA	2.614	NA
UMTS Band V	NA	0.338	NA
UMTS Band II	NA	1.970	NA
WiFi 2.4G	NA	0.423	NA
The highest simultaneous SAR is 3.614W/kg per KDB 690783 D01			

Remark: N/A: This devices are designed and intended for use in extremity exposure conditions, that is hands only and doesn't support voice and Hotspot mode, the head and hotspot mode is not applicable.

**Note:**

The device is in compliance with Specific Absorption Rate ( SAR ) for general population/uncontrolled exposure limits according to the FCC rule §2.1093, the ANSI/IEEE C95.1:1992, the NCRP Report Number 86 for uncontrolled environment, according to the Industry Canada Radio Standards Specification RSS-102 for General Population/Uncontrolled exposure, and had been tested in accordance with the measurement methods and procedures specified in IEEE Std 1528-2013

**1.4 EUT Information**

Device Information:			
<b>Product Name:</b>	WisePad 2 Plus		
<b>Model:</b>	WPP23		
<b>FCC ID:</b>	2AB7X-WPP23		
<b>SN:</b>	N/A		
<b>Device Type:</b>	Portable device		
<b>Exposure Category:</b>	uncontrolled environment / general population		
<b>Hardware version:</b>	N/A		
<b>Software version :</b>	N/A		
<b>Antenna Type :</b>	Monopole Antenna		
Device Operating Configurations:			
<b>Supporting Mode(s) :</b>	GSM850/1900,UMTS Band V/II,WiFi 2.4G(tested), BT,NFC		
<b>Modulation:</b>	GMSK, 8PSK, QPSK, DSSS,OFDM, GFSK, $\pi/4$ DQPSK, 8DPSK, ASK		
<b>Operating Frequency Range(s)</b>	<b>Band</b>	<b>TX(MHz)</b>	<b>RX(MHz)</b>
	GSM850	824-849	869-894
	GSM1900	1850-1910	1930-1990
	UMTS Band V	824-849	869-894
	UMTS Band II	1850-1910	1930-1990
	WIFI 2.4G	2412~2462	
	BT	2402~2480	
	NFC	13.56	
<b>GPRS class level:</b>	GPRS class 12		
<b>EGPRS class level:</b>	EGPRS class 12		
<b>Test Channels (low-mid-high):</b>	128-190-251 (GSM850)		
	512-661-810 (GSM1900)		
	4132-4182-4233 (UMTS Band V)		
	9262-9400-9538 (UMTS Band II)		
	1-6-11 (WiFi 2.4G)		
	0-39-78 (BT)		
<b>Power Source:</b>	Li-polymer 3.7V, 1300mAh		

Remark: The tested samples and the sample information are provided by the client.

**1.5 Test standard/s**

ANSI Std C95.1-1992	Safety Levels with Respect to Human Exposure to Radio Frequency Electromagnetic Fields, 3 kHz to 300 GHz.
IEEE Std 1528-2013	Recommended Practice for Determining the Peak Spatial-Average Specific Absorption Rate (SAR) in the Human Head from Wireless Communications Devices: Measurement Techniques
RSS-102	Radio Frequency Exposure Compliance of Radiocommunication Apparatus (All Frequency Bands (Issue 5 of March 2015))
KDB 248227 D01	SAR guidance for IEEE 802.11(Wi-Fi) transmitters v02r02
KDB 447498 D01	General RF Exposure Guidance v06
KDB 690783 D01	SAR Listings on Grants v01r03
KDB 865664 D01	SAR Measurement 100 MHz to 6 GHz v01r04
KDB 865664 D02	RF Exposure Reporting v01r02
KDB 941225 D01	3G SAR Procedures v03r01



## 1.6 RF exposure limits

Human Exposure	Uncontrolled Environment General Population	Controlled Environment Occupational
<b>Spatial Peak SAR*</b> (Brain/Body/Arms/Legs)	1.60 mW/g	8.00 mW/g
<b>Spatial Average SAR**</b> (Whole Body)	0.08 mW/g	0.40 mW/g
<b>Spatial Peak SAR***</b> (Hands/Feet/Ankle/Wrist)	<b>4.00 mW/g</b>	20.00 mW/g

The limit applied in this test report is shown in bold letters

### Notes:

\* The Spatial Peak value of the SAR averaged over any 1 gram of tissue (defined as a tissue volume in the shape of a cube) and over the appropriate averaging time.

\*\* The Spatial Average value of the SAR averaged over the whole body.

\*\*\* The Spatial Peak value of the SAR averaged over any 10 grams of tissue (defined as a tissue volume in the shape of a cube) and over the appropriate averaging time.

**Uncontrolled Environments** are defined as locations where there is the exposure of individuals who have no knowledge or control of their exposure.

**Controlled Environments** are defined as locations where there is exposure that may be incurred by persons who are aware of the potential for exposure, (i.e. as a result of employment or occupation).

## 1.7 SAR Definition

Specific Absorption Rate is defined as the time derivative (rate) of the incremental energy (dW) absorbed by (dissipated in) an incremental mass (dm) contained in a volume element (dV) of a given density ( $\rho$ ).

$$SAR = \frac{d}{dt} \left( \frac{dW}{dm} \right) = \frac{d}{dt} \left( \frac{dW}{\rho dV} \right)$$

SAR is expressed in units of watts per kilogram (W/kg). SAR can be related to the electric field at a point by

$$SAR = \frac{\sigma |E|^2}{\rho}$$

where:

$\sigma$  = conductivity of the tissue (S/m)  
 $\rho$  = mass density of the tissue (kg/m<sup>3</sup>)  
 $E$  = rms electric field strength (V/m)

## 1.8 Testing laboratory

Test Site	Centre Testing International Group Co., Ltd.
Test Location	Hongwei Industrial Zone, Bao'an 70 District, Shenzhen, Guangdong, China
Telephone	+86 (0) 755 3368 3668
Fax	+86 (0) 755 3368 3385

## 1.9 Test Environment

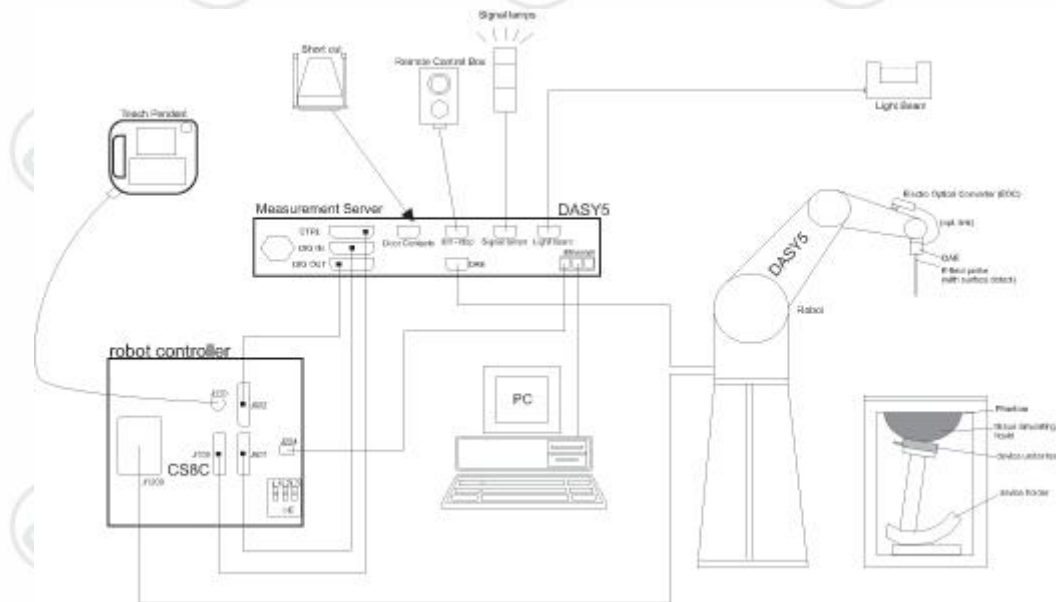
	Required	Actual
<b>Ambient temperature:</b>	18 – 25 °C	21.5 ± 2.0 °C
<b>Tissue Simulating liquid:</b>	18 – 25 °C	21.5 ± 2.0 °C
<b>Relative humidity content:</b>	30 – 70 %	30 – 70 %

## 1.10 Applicant and Manufacturer

<b>Applicant/Client Name</b>	BBPOS International Limited
<b>Applicant Address</b>	Suite 1602, 16/F, Tower 2, Nina Tower, No. 8 Yeung Uk Road, Tsuen Wan, NT, Hong Kong
<b>Manufacturer Name</b>	BBPOS International Limited
<b>Manufacturer Address</b>	Suite 1602, 16/F, Tower 2, Nina Tower, No. 8 Yeung Uk Road, Tsuen Wan, NT, Hong Kong

## 2 SAR Measurement System Description and Setup

### 2.1 The Measurement System Description



The DASYS system for performing compliance tests consists of the following items:

- I A standard high precision 6-axis robot (Stäubli TX/RX family) with controller, teach pendant and software. An arm extension for accommodating the data acquisition electronics (DAE).
- I An isotropic field probe optimized and calibrated for the targeted measurement.
- I A data acquisition electronics (DAE) which performs the signal amplification, signal multiplexing, AD-conversion, offset measurements, mechanical surface detection, collision detection, etc. The unit is battery powered with standard or rechargeable batteries. The signal is optically transmitted to the EOC.
- I The Electro-optical converter (EOC) performs the conversion from optical to electrical signals for the digital communication to the DAE. To use optical surface detection, a special version of the EOC is required. The EOC signal is transmitted to the measurement server.
- I The function of the measurement server is to perform the time critical tasks such as signal filtering, control of the robot operation and fast movement interrupts.
- I The Light Beam used is for probe alignment. This improves the (absolute) accuracy of the probe positioning.
- I A computer running Win7 professional operating system and the DASYS software.
- I Remote control and teach pendant as well as additional circuitry for robot safety such as warning lamps, etc.
- I The phantom, the device holder and other accessories according to the targeted measurement.

## 2.2 Probe description

Dosimetric Probes: These probes are specially designed and calibrated for use in liquids with high permittivities. They should not be used in air, since the spherical isotropy in air is poor( $\pm 2$  dB). The dosimetric probes have special calibrations in various liquids at different frequencies.

Construction	Symmetrical design with triangular core Interleaved sensors Built-in shielding against static charges PEEK enclosure material (resistant to organic solvents, e.g., DGBE)
Calibration	ISO/IEC 17025 calibration service available.
Frequency	10 MHz to 6 GHz; Linearity: $\pm 0.2$ dB
Probe Overall Length	337mm
Probe Body Diameter	10mm
Tip Length	9mm
Tip Diameter	2.5mm
Dynamic range	5 $\mu$ W/g to 100 mW/g; Linearity: $\pm 0.2$ dB



### 2.3 Data Acquisition Electronics description

The data acquisition electronics (DAE4) consist of a highly sensitive electrometer-grade preamplifier with auto-zeroing, a channel and gain-switching multiplexer, a fast 16 bit AD-converter and a command decoder with a control logic unit. Transmission to the measurement server is accomplished through an optical downlink for data and status information, as well as an optical uplink for commands and the clock.

The mechanical probe mounting device includes two different sensor systems for frontal and sideways probe contacts. They are used for mechanical surface detection and probe collision detection. The input impedance of the DAE4 box is 200M $\Omega$ ; the inputs are symmetrical and floating. Common mode rejection is above 80 dB.

Batteries: The DAE works with either two standard 9V batteries or two 9V (actually 8.4V or 9.6 V) rechargeable batteries. Because the electronics automatically power-down unused components during braking or between measurements, the battery lifetime depends on system usage. Typical lifetimes are >20 hours for batteries and >10 hours for accus. Remove the batteries if you do not plan to use the DAE for a long period of time.



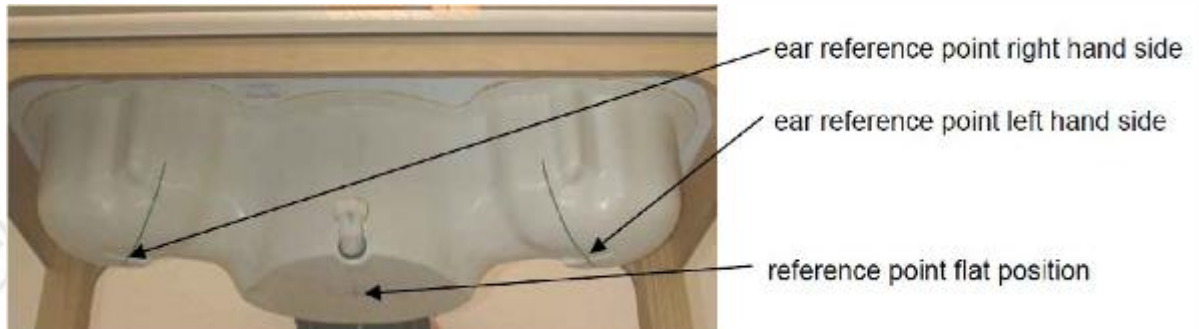
## 2.4 SAM Twin Phantom description

The SAM twin phantom is a fiberglass shell phantom with 2mm shell thickness (except the ear region, where shell thickness increases to 6 mm). The phantom has three measurement areas:

◆ Left hand

◆ Right hand

◆ Flat phantom



The phantom table for the DASY systems have the size of 100 x 50 x 85 cm (L xWx H). These tables are reinforced for mounting of the robot onto the table. For easy dislocation these tables have fork lift cut outs at the bottom.

The bottom plate contains three pairs of bolts for locking the device holder. The device holder positions are adjusted to the standard measurement positions in the three sections.

A white cover is provided to cover the phantom during off-periods to prevent water evaporation and changes in the liquid parameters.

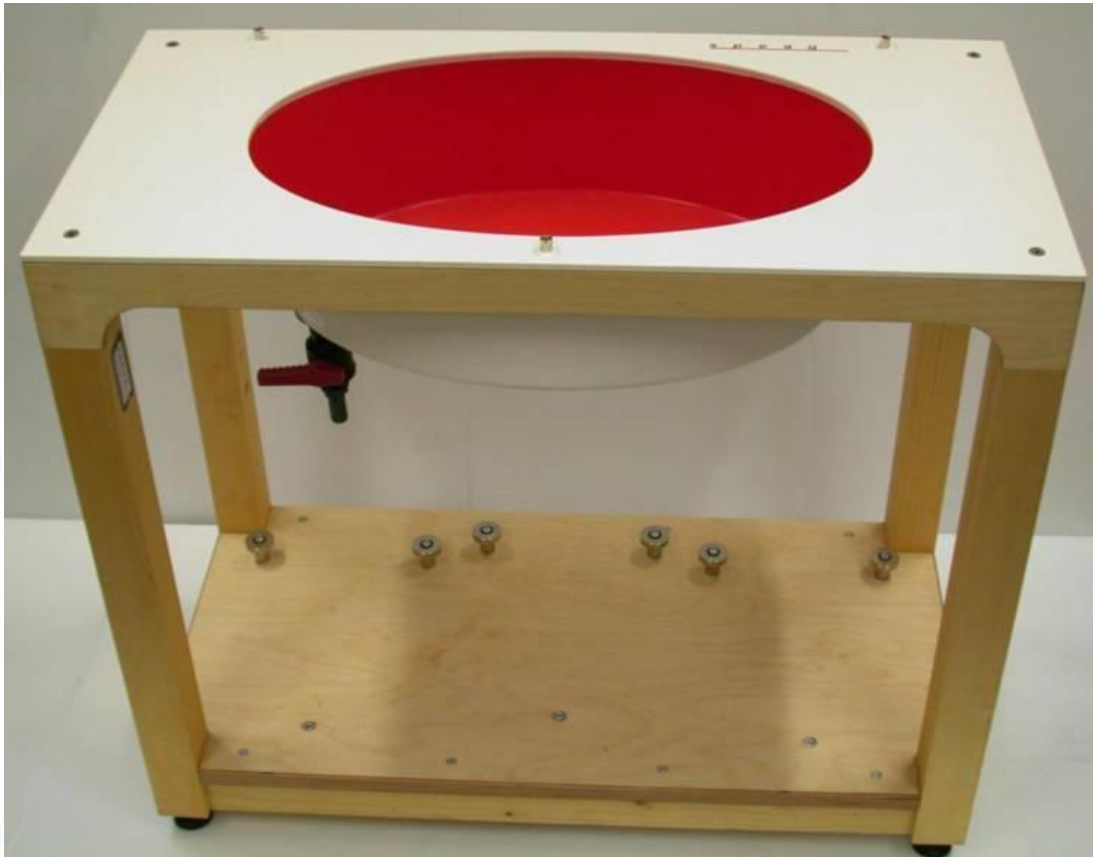
Three reference marks are provided on the phantom counter. These reference marks are used to teach the absolute phantom position relative to the robot.



## 2.5 ELI4 Phantom description

The ELI4 phantom is intended for compliance testing of handheld and body mounted wireless devices in the frequency range of 30MHz to 6 GHz. ELI4 is fully compatible with the latest draft of the standard IEC 62209-2 and all known tissue simulating liquids.

ELI4 has been optimized regarding its performance and can be integrated into a SPEAG standard phantom table. A cover prevents evaporation of the liquid. Reference markings on the phantom allow installation of the complete setup, including all predefined phantom positions and measurement grids, by teaching three points



## 2.6 Device Holder description

The SAR in the phantom is approximately inversely proportional to the square of the distance between the source and the liquid surface. For a source at 5mm distance, a positioning uncertainty of  $\pm 0.5\text{mm}$  would produce a SAR uncertainty of  $\pm 20\%$ . Accurate device positioning is therefore crucial for accurate and repeatable measurements. The positions in which the devices must be measured are defined by the standards.

The DASY device holder is designed to cope with the different positions given in the standard. It has two scales for device rotation (with respect to the body axis) and device inclination (with respect to the line between the ear reference points). The rotation centers for both scales is the ear reference point (ERP). Thus the device needs no repositioning when changing the angles.

The DASY device holder is constructed of low-loss POM material having the following dielectric parameters: relative permittivity  $\epsilon = 3$  and loss tangent  $\delta = 0.02$ . The amount of dielectric material has been reduced in the closest vicinity of the device, since measurements have suggested that the influence of the clamp on the test results could thus be lowered.





### 3 SAR Test Equipment List

To simplify the identification of the test equipment and/or ancillaries which were used, the reporting of the relevant test cases only refer to the test item number as specified in the table below.

	Manufacturer	Device Type	Type(Model)	Serial number	Date of last calibration	Valid period
<input checked="" type="checkbox"/>	SPEAG	E-Field Probe	EX3DV4	7328	2017-02-28	One year
<input checked="" type="checkbox"/>	SPEAG	835 MHz Dipole	D835V2	4d193	2015-02-02	Three years
<input type="checkbox"/>	SPEAG	1750 MHz Dipole	D1750V2	1134	2015-02-05	Three years
<input checked="" type="checkbox"/>	SPEAG	1900 MHz Dipole	D1900V2	5d198	2015-02-06	Three years
<input type="checkbox"/>	SPEAG	2000 MHz Dipole	D2000V2	1078	2015-02-05	Three years
<input checked="" type="checkbox"/>	SPEAG	2450 MHz Dipole	D2450V2	959	2015-02-05	Three years
<input type="checkbox"/>	SPEAG	2600 MHz Dipole	D2600V2	1101	2015-02-05	Three years
<input type="checkbox"/>	SPEAG	5 GHz Dipole	D5GHzV2	1208	2015-02-03	Three years
<input checked="" type="checkbox"/>	SPEAG	DAKS probe	DAKS-3.5	1052	2015-01-27	Three years
<input checked="" type="checkbox"/>	SPEAG	Planar R140 Vector Reflectometer	DAKS-VNA R140	0200514	2015-01-27	Three years
<input checked="" type="checkbox"/>	SPEAG	Data acquisition electronics	DAE4	1458	2017-02-22	One year
<input checked="" type="checkbox"/>	SPEAG	Software	DASY 5	NA	NCR	NCR
<input checked="" type="checkbox"/>	SPEAG	Twin Phantom	SAM V5.0	1875	NCR	NCR
<input checked="" type="checkbox"/>	SPEAG	Flat Phantom	ELI V6.0	2024	NCR	NCR
<input checked="" type="checkbox"/>	BALUN	Power Amplifier and directional coupler	SU319W	BLSZ1550140	NCR	NCR
<input checked="" type="checkbox"/>	R & S	Universal Radio Communication Tester	CMU200	101553	2017-03-14	One year
<input checked="" type="checkbox"/>	Agilent	Signal Generator	E4438C	MY45095744	2017-03-14	One year
<input checked="" type="checkbox"/>	Agilent	Power Meter	E4418B	MY45104044	2016-12-16	One year
<input checked="" type="checkbox"/>	Agilent	Power Meter Sensor	E9300A	MY41496140	2016-12-16	One year
<input checked="" type="checkbox"/>	Agilent	Power Meter	PM2002	312901	2016-12-16	One year
<input checked="" type="checkbox"/>	Agilent	Power Meter Sensor	51011A-EMC	36252	2016-12-16	One year

Note:

- 1) Per KDB865664D01 requirements for dipole calibration, the test laboratory has adopted three-year extended calibration interval. Each measured dipole is expected to evaluate with the following criteria at least on annual interval in Appendix C.
  - a) There is no physical damage on the dipole;
  - b) System check with specific dipole is within 10% of calibrated value;
  - c) The most recent return-loss result, measured at least annually, deviates by no more than 20% from the previous measurement.
  - d) The most recent measurement of the real or imaginary parts of the impedance, measured at least annually is within 5Ω from the previous measurement.

## 4 SAR Measurement Procedures

### 4.1 Spatial Peak SAR Evaluation

The DASY5 software includes all numerical procedures necessary to evaluate the spatial peak SAR values. The base for the evaluation is a "cube" measurement in a volume of 30mm<sup>3</sup> (7x7x7 points). The measured volume must include the 1 g and 10 g cubes with the highest averaged SAR values. For that purpose, the center of the measured volume is aligned to the interpolated peak SAR value of a previously performed area scan. If the 10g cube or both cubes are not entirely inside the measured volumes, the system issues a warning regarding the evaluated spatial peak values within the Postprocessing engine (SEMCAD X). This means that if the measured volume is shifted, higher values might be possible. To get the correct values you can use a finer measurement grid for the area scan. In complicated field distributions, a large grid spacing for the area scan might miss some details and give an incorrectly interpolated peak location. The entire evaluation of the spatial peak values is performed within the Postprocessing engine (SEMCAD X). The system always gives the maximum values for the 1 g and 10 g cubes.

The algorithm to find the cube with highest averaged SAR is divided into the following stages:

1. extraction of the measured data (grid and values) from the Zoom Scan
2. calculation of the SAR value at every measurement point based on all stored data (A/D values and measurement parameters)
3. generation of a high-resolution mesh within the measured volume
4. interpolation of all measured values from the measurement grid to the high-resolution grid
5. extrapolation of the entire 3-D field distribution to the phantom surface over the distance from sensor to surface
6. calculation of the averaged SAR within masses of 1 g and 10 g

## 4.2 Data Storage and Evaluation

### Data Storage

The DASY5 software stores the measured voltage acquired by the Data Acquisition Electronics (DAE) as raw data together with all the necessary software parameters for the data evaluation (probe calibration data, liquid parameters and communication system parameters) in measurement files with the extension .da5x. The postprocessing software evaluates the data every time the data is visualized or exported. This allows the verification and modification of the setup after completion of the measurement. For example, if a measurement has been performed with an incorrect crest factor, the parameter can be corrected afterwards and the data can be reevaluated.

To avoid unintentional parameter changes or data manipulations, the parameters in measured files are locked. In the administrator access mode of the software, the parameters can be unlocked. After changing the parameters, the measured scans can be reevaluated in the postprocessing engine.

The measured data can be visualized or exported in different units or formats, depending on the selected probe type (e.g., E-field, H-field, SAR). Some of these units are not available in certain situations or give meaningless results, e.g., a SAR-output in a lossless media will always be zero. Raw data can also be exported to perform the evaluation with other software packages.

### Data Evaluation

The fields and SAR are calculated from the measured voltage (probe voltage acquired by the DAE) and the following parameters:

Probe parameters:

- Sensitivity

norm<sub>i</sub>, a<sub>i0</sub>, a<sub>i1</sub>, a<sub>i2</sub>

- Conversion Factor

convF<sub>i</sub>

- Diode Compression Point

dcp<sub>i</sub>

- Probe Modulation Response Factors

a<sub>i</sub>, b<sub>i</sub>, c<sub>i</sub>, d

Device parameters:

- Frequency

f

- Crest factor

cf

Media parameters:

- Conductivity

σ

- Relative Permittivity

ρ

This parameters are stored in the DASY5 V52 measurement file.

These parameters must be correctly set in the DASY5 V52 software setup. They are available as configuration file and can be imported into the measurement file. The values displayed in the multimeter window are assessed using the parameters of the actual system setup. In the scan visualization and export modes, the parameters stored in the measurement file are used.

The measured voltage is not proportional to the exciting. It must be first linearized.

Approximated Probe Response Linearization using Crest Factor.

This linearization method is enabled when a custom defined communication system is measured. The compensation applied is a function of the measured voltage, the detector diode compression point and the crest factor of the measured signal.

$$V_i = U_i + U_i^2 \cdot \frac{cf}{dcp_i}$$

- with
- $V_i$  = linearized voltage of channel i (uV) (i = x,y,z)
  - $U_i$  = measured voltage of channel i (uV) (i = x,y,z)
  - cf = crest factor of exciting field (DASY parameter)
  - $dcp_i$  = diode compression point of channel i (uV) (Probe parameter, i = x,y,z)

Field and SAR Calculation

The primary field data for each channel are calculated using the linearized voltage:

E - fieldprobes : 
$$E_i = \sqrt{\frac{V_i}{Norm_i \cdot ConvF}}$$

H - fieldprobes : 
$$H_i = \sqrt{V_i} \cdot \frac{a_{i0} + a_{i1}f + a_{i2}f^2}{f}$$

with  $V_i$  = linearized voltage of channel i (i = x,y,z)

$Norm_i$  = sensor sensitivity of channel i (i = x,y,z)

$\mu V/(V/m)^2$  for E-field Probes

$ConvF$  = sensitivity enhancement in solution

$a_{ij}$  = sensor sensitivity factors for H-field probes

$f$  = carrier frequency [GHz]

$E_i$  = electric field strength of channel i in V/m

$H_i$  = magnetic field strength of channel i in A/m

The RMS value of the field components gives the total field strength (Hermitian magnitude):

$$E_{tot} = \sqrt{E_x^2 + E_y^2 + E_z^2}$$

The primary field data are used to calculate the derived field units.

$$SAR = E_{tot}^2 \cdot \frac{\sigma}{\rho \cdot 1'000}$$

with  $SAR$  = local specific absorption rate in mW/g

$E_{tot}$  = total field strength in V/m

$\sigma$  = conductivity in [mho/m] or [Siemens/m]

$\rho$  = equivalent tissue density in  $g/cm^3$

Note that the density is set to 1, to account for actual head tissue density rather than the density of the tissue simulating liquid.

Spatial Peak SAR for 1 g and 10 g

The DASY5 software includes all numerical procedures necessary to evaluate the spatial peak SAR values. The base for the evaluation is a "cube" measurement at the points of the fine cube grid consisting of 5 x 5 x 7 points (with 8mm horizontal resolution) or 7 x 7 x 7 points (with 5mm horizontal resolution) or 8 x 8 x 7 points (with 4mm horizontal resolution). The entire evaluation of the spatial peak values is performed within the Postprocessing engine (SEMCAD X). The system always gives the maximum values for the 1 g and 10 g cubes. The algorithm to find the cube with highest averaged SAR is divided into the following stages:

1. extraction of the measured data (grid and values) from the Zoom Scan.
2. calculation of the SAR value at every measurement point based on all stored data (A/D values and measurement parameters).
3. generation of a high-resolution mesh within the measured volume.
4. interpolation of all measured values from the measurement grid to the high-resolution grid
5. extrapolation of the entire 3-D field distribution to the phantom surface over the distance from sensor to surface.
6. calculation of the averaged SAR within masses of 1 g and 10 g.

### 4.3 Data Storage and Evaluation

The DASY5 installation includes predefined files with recommended procedures for measurements and validation. All test positions (head or body-worn) are tested with the same configuration of test steps differing only in the grid definition for the different test positions.

#### Step 1: Power reference measurement

The Power Reference Measurement and Power Drift Measurement are for monitoring the power drift of the device under test in the batch process. The Minimum distance of probe sensors to surface determines the closest measurement point to phantom surface. By default, the Minimum distance of probe sensors to surface is 4 mm. This distance can be modified by the user, but cannot be smaller than the Distance of sensor calibration points to probe tip as defined in the probe properties. The SAR measurement was taken at a selected spatial reference point to monitor power variations during testing. This fixed location point was measured and used as a reference value.

#### Step 2: Area Scan

The Area Scan is used as a fast scan in two dimensions to find the area of high field values, before doing a finer measurement around the hotspot. The sophisticated interpolation routines implemented in DASY5 software can find the maximum locations even in relatively coarse grids. When an Area Scan has measured all reachable points, it computes the field maxima found in the scanned area, within a range of the global maximum. The range (in dB) is specified in the standards for compliance testing. For example, a 2 dB range is required in IEEE 1528-2003 and IEC 62209 standards, whereby 3 dB is a requirement when compliance is assessed in accordance with the ARIB standard (Japan). If only one Zoom Scan follows the Area Scan, then only the absolute maximum will be taken as reference. For cases where multiple maximums are detected, the number of Zoom Scans has to be increased accordingly.

### Step 3: Zoom Scan

The Zoom Scans are used to assess the peak spatial SAR values within a cubic averaging volume containing 1 gram and 10 gram of simulated tissue. The default Zoom Scan is defined in the following table. DASY5 is also able to perform repeated zoom scans if more than 1 peak is found during area scan. When the measurement is done, the Zoom Scan evaluates the averaged SAR for 1 gram and 10 gram and displays these values next to the job's label.

Area scan and Zoom scan resolutions per FCC KDB Publication 865664 D01:

Frequency	Maximun Area Scan resolution ( $\Delta x_{Area}, \Delta y_{Area}$ )	Maximun Zoom Scan spatial resolution ( $\Delta x_{Zoom}, \Delta y_{Zoom}$ )	Maximun Zoom Scan spatial resolution			Minimum zoom scan volume (x,y,z)
			Uniform Grid	Graded Grad		
			$\Delta z_{Zoom}(n)$	$\Delta z_{Zoom}(1)^*$	$\Delta z_{Zoom}(n>1)^*$	
≤ 2GHz	≤ 15mm	≤ 8mm	≤ 5mm	≤ 4mm	$\leq 1.5 * \Delta z_{Zoom}(n-1)$	≥ 30mm
2-3GHz	≤ 12mm	≤ 5mm	≤ 5mm	≤ 4mm	$\leq 1.5 * \Delta z_{Zoom}(n-1)$	≥ 30mm
3-4GHz	≤ 12mm	≤ 5mm	≤ 4mm	≤ 3mm	$\leq 1.5 * \Delta z_{Zoom}(n-1)$	≥ 28mm
4-5GHz	≤ 10mm	≤ 4mm	≤ 3mm	≤ 2.5mm	$\leq 1.5 * \Delta z_{Zoom}(n-1)$	≥ 25mm
5-6GHz	≤ 10mm	≤ 4mm	≤ 2mm	≤ 2mm	$\leq 1.5 * \Delta z_{Zoom}(n-1)$	≥ 22mm

### Step 4: Power Drift Monitoring

The Power Drift Measurement measures the field at the same location as the most recent power reference measurement job within the same procedure, and with the same settings. The Power Drift Measurement gives the field difference in dB from the reading conducted within the last Power Reference Measurement. If the value changed by more than 5%, the evaluation should be retested.



## 5 SAR Verification Procedure

### 5.1 Tissue Verification

The following materials are used for producing the tissue-equivalent materials.

(Liquids used for tests are marked with☒):

Ingredients (% of weight)	Body Tissue				
	☒ 835	☐ 1750	☒ 1900	☒ 2450	☐ 2600
frequency band					
Water	52.5	69.91	69.91	73.20	64.50
Salt (NaCl)	1.40	0.13	0.13	0.04	0.02
Sugar	45.0	0.0	0.0	0.0	0.0
HEC	1.0	0.0	0.0	0.0	0.0
Bactericide	0.1	0.0	0.0	0.0	0.0
Triton X-100	0.0	0.0	0.0	0.0	0.0
DGBE	0.0	29.96	29.96	26.76	35.48

Salt: 99+% Pure Sodium Chloride

Sugar: 98+% Pure Sucrose

Water: De-ionized, 16MΩ+ resistivity

HEC: Hydroxyethyl Cellulose

DGBE: 99+% Di(ethylene glycol) butyl ether, [2-(2-butoxyethoxy)ethanol]

Triton X-100(ultra pure): Polyethylene glycol mono [4-(1,1,3,3-tetramethylbutyl)phenyl]ether

Tissue simulating liquids: parameters:

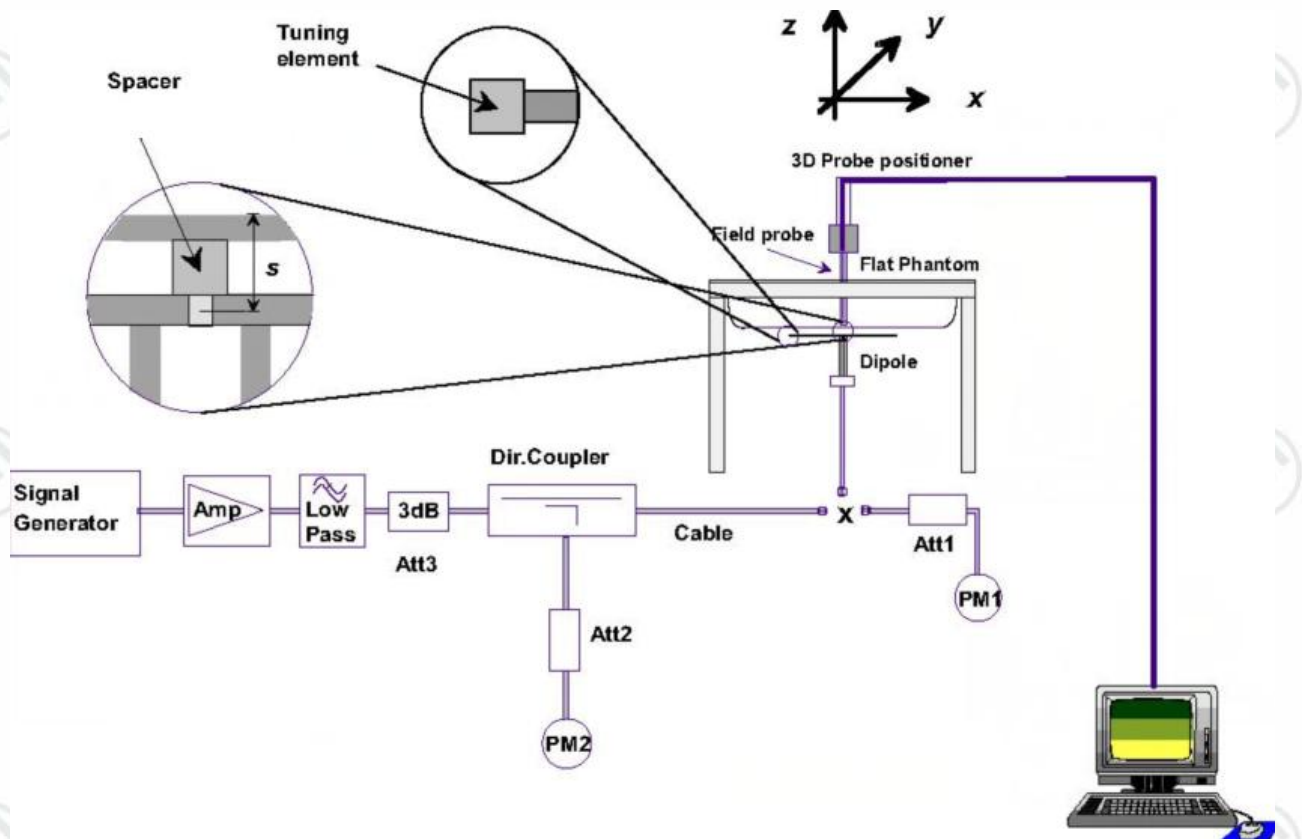
Tissue Type	Measured Frequency (MHz)	Target Tissue		Measured Tissue		Liquid Temp.	Test Date
		$\epsilon_r$ (+/-5%)	$\sigma$ (S/m) (+/-5%)	$\epsilon_r$	$\sigma$ (S/m)		
835 Body	825	55.52 (52.44~57.96)	0.97 (0.92~1.02)	54.55	0.959	21.53°C	2017-7-17
	835	55.52 (52.44~57.96)	0.97 (0.92~1.02)	54.37	0.963		
	850	55.52 (52.44~57.96)	0.99 (0.94~1.04)	54.33	0.971		
1900 Body	1850	53.30 (50.64~55.97)	1.52 (1.44~1.60)	51.51	1.452	21.36°C	2017-7-17
	1880	53.30 (50.64~55.97)	1.52 (1.44~1.60)	51.39	1.469		
	1900	53.30 (50.64~55.97)	1.52 (1.44~1.60)	51.30	1.489		
	1910	53.30 (50.64~55.97)	1.52 (1.44~1.60)	51.31	1.497		
2450 Body	2410	52.80 (50.16~55.44)	1.91 (1.81~2.00)	51.42	1.919	21.04°C	2017-7-17
	2435	52.70 (50.07~55.34)	1.94 (1.84~2.04)	51.42	1.927		
	2450	52.70 (50.07~55.34)	1.95 (1.85~2.04)	51.22	1.951		
	2460	52.70 (50.07~55.34)	1.96 (1.86~2.06)	51.31	1.960		

$\epsilon_r$ = Relative permittivity,  $\sigma$ = Conductivity

## 5.2 System check procedure

The System check is performed by using a System check dipole which is positioned parallel to the planar part of the SAM phantom at the reference point. The distance of the dipole to the SAM phantom is determined by a spacer. The dipole is connected to the signal source consisting of signal generator and amplifier via a directional coupler, N-connector cable and adaption to SMA. It is fed with a power of 100mW. To adjust this power a power meter is used. The power sensor is connected to the cable before the System check to measure the power at this point and do adjustments at the signal generator. At the outputs of the directional coupler both return loss as well as forward power are controlled during the validation to make sure that emitted power at the dipole is kept constant. This can also be checked by the power drift measurement after the test (result on plot).

System check results have to be equal or near the values determined during dipole calibration (target SAR in table above) with the relevant liquids and test system.



### 5.3 System check results

The system Check is performed for verifying the accuracy of the complete measurement system and performance of the software. The following table shows System check results for all frequency bands and tissue liquids used during the tests (plot(s) see annex A).

System Check (MHz)	Target SAR (1W) (+/-10%)		Measured SAR (Normalized to 1W)		Liquid Temp.	Test Date
	1-g (mW/g)	10-g (mW/g)	1-g (mW/g)	10-g (mW/g)		
D835V2 Body	9.30 (8.37~10.23)	6.10 (5.49~6.71)	9.06	6.01	21.53°C	2017-7-17
D1900V2 Body	41.00 (36.90~45.10)	21.70 (19.53~23.87)	41.40	21.90	21.36°C	2017-7-17
D2450V2 Body	51.20 (46.08~56.32)	23.70 (21.33~26.07)	50.70	23.90	21.04°C	2017-7-17

Note: All SAR values are normalized to 1W forward power.

## 6 SAR Measurement variability and uncertainty

### 6.1 SAR measurement variability

In accordance with published RF Exposure KDB procedure 865664 D01 SAR measurement 100 MHz to 6 GHz v01r04. These additional measurements are repeated after the completion of all measurements requiring the same head or body tissue-equivalent medium in a frequency band. The test device should be returned to ambient conditions (normal room temperature) with the battery fully charged before it is re-mounted on the device holder for the repeated measurement(s) to minimize any unexpected variations in the repeated results. The same procedures should be adapted for measurements according to extremity exposure limits by applying a factor of 2.5 for extremity exposure.

- 1) Repeated measurement is not required when the original highest measured SAR is  $< 2.0$  W/kg; steps 2) through 4) do not apply.
- 2) When the original highest measured SAR is  $\geq 2.0$  W/kg, repeat that measurement once.
- 3) Perform a second repeated measurement only if the ratio of largest to smallest SAR for the original and first repeated measurements is  $> 3.0$  or when the original or repeated measurement is  $\geq 3.6$  W/kg (~ 10% from the 10-g SAR limit).
- 4) Perform a third repeated measurement only if the original, first or second repeated measurement is  $\geq 3.75$  W/kg and the ratio of largest to smallest SAR for the original, first and second repeated measurements is  $> 1.20$ .

### 6.2 SAR measurement uncertainty

Per KDB865664 D01 SAR Measurement 100 MHz to 6 GHz v01r04, when the highest measured 1-g SAR within a frequency band is  $< 1.5$  W/kg, the extensive SAR measurement uncertainty analysis described in IEEE Std 1528-2013 is not required in SAR reports submitted for equipment approval. The equivalent ratio (1.5/1.6) is applied to extremity and occupational exposure conditions.

## 7 SAR Test Configuration

### 7.1 GSM Test Configurations

SAR tests for GSM850 and GSM1900, a communication link is set up with a base station by air link.

Using CMU200 the power lever is set to “5” and “0” in SAR of GSM850 and GSM1900. The tests in the band of GSM850 and GSM1900 are performed in the mode of GPRS/EGPRS function. Since the GPRS/EGPRS class is 12 for this EUT, it has at most 4 timeslots in uplink and at most 4 timeslots in downlink, the maximum total timeslot is 5.

When SAR tests for EGPRS mode is necessary, GMSK modulation should be used to minimize SAR measurement error due to higher peak-to-average power (PAR) ratios inherent in 8-PSK.

### 7.2 UMTS Test Configurations

#### 1) RMC

As the SAR body tests for WCDMA Band II/V, we established the radio link through call processing. The maximum output power were verified on high, middle and low channels for each test band according to 3GPP TS 34.121 with the following configuration:

- 1) 12.2kbps RMC, 64,144,384 kbps RMC with TPC set to ‘all 1’.
- 2) Test loop Mode 1.

For the output power, the configurations for the DPCCH and DPDCH<sub>1</sub> are as followed (EUT do not support the DPDCH<sub>2-n</sub>)

	Channel Bit Rate (kbps)	Channel Symbol Rate (ksps)	Spreading Factor	Spreading Code Number	Bits/Slot
DPCCH	15	15	256	0	10
DPDCH <sub>1</sub>	15	15	256	64	10
	30	30	128	32	20
	60	60	64	16	40
	120	120	32	8	80
	240	240	16	4	160
	480	480	8	2	320
	960	960	4	1	640
DPDCH <sub>n</sub>	960	960	4	1, 2, 3	640

SAR for body exposure configurations is measured using the 12.2 kbps RMC with the TPC bits configured to all “1s”. SAR for other spreading codes and multiple DPDCH<sub>n</sub>, when supported by the EUT, are not required when the maximum average outputs of each RF channel, for each spreading code and DPDCH<sub>n</sub> configuration, are less than ¼ dB higher than those measured in 12.2 kbps RMC.

2) HSDPA

SAR for body exposure configurations is measured according to the “Body SAR Measurements” procedures of 3G device. In addition, body SAR is also measured for HSDPA when the maximum average outputs of each RF channel with HSDPA active is at ¼ dB higher than that measured without HSDPA using 12.2kbps RMC or the maximum SAR 12.2kbps RMC is above 75% of the SAR limit. Body SAR for HSDPA is measured using an FRC with H-Set 1 in Sub-test 1 and a 12.2kbps RMC configured in Test Loop Mode 1, using the highest body SAR configuration in 12.2 kbps RMC without HSDPA.

HSDPA should be configured according to UE category of a test device. The number of HS-DSCH/ HS-PDSCHs, HAPRQ processes, minimum inter-TTI interval, transport block sizes and RV coding sequence are defined by the H-set. To maintain a consistent test configuration and stable transmission condition, QPSK is used in the H-set for SAR testing. HS-DPCCH should be configured with a CQI feedback cycle of 4ms with a CQI repetition factor of 2 to maintain a constant rate of active CQI slots. The  $\beta_c$  and  $\beta_d$  gain factors for DPCCH and DPDCH were set according to the values in the below table,  $\beta_{hs}$  for HS-DPCCH is set automatically to the correct value when  $\Delta ACK, \Delta NACK, \Delta CQI = 8$ . The variation of the  $\beta_c / \beta_d$  ratio causes a power reduction at sub-tests 2 - 4.

Sub-test	$b\beta_c$	$b\beta_d$	$b\beta_d$ (SF)	$b\beta_c / \beta_d$	$b\beta_{hs}$ (1)	CM(dB)(2)	MPR (dB)
1	2/15	15/15	64	2/15	4/15	0.0	0
2	12/15(3)	15/15(3)	64	12/15(3)	24/15	1.0	0
3	15/15	8/15	64	15/8	30/15	1.5	0.5
4	15/15	4/15	64	15/4	30/15	1.5	0.5

Note 1:  $\Delta ACK, \Delta NACK$  and  $\Delta CQI = 8 \Rightarrow A_{hs} = \beta_{hs} / \beta_c = 30/15 \Rightarrow \beta_{hs} = 30/15 * \beta_c$

Note 2 : CM=1 for  $\beta_c / \beta_d = 12/15, \beta_{hs} / \beta_c = 24/15$ . For all other combinations of DPDCH, DPCCH and HS-DPCCH the MPR is based on the relative CM difference. This is applicable for only UEs that support HSDPA in release 6 and later releases.

Note 3 : For subtest 2 the  $\beta_c / \beta_d$  ratio of 12/15 for the TFC during the measurement period (TF1, TF0) is achieved by setting the signalled gain factors for the reference TFC (TF1, TF1) to  $\beta_c = 11/15$  and  $\beta_d = 15/15$

The measurements were performed with a Fixed Reference Channel (FRC) and H-Set 1 QPSK.

Parameter	Value
Nominal average inf. bit rate	534 kbit/s
Inter-TTI Distance	3 TTI's
Number of HARQ Processes	2 Processes
Information Bit Payload	3202 Bits
MAC-d PDU size	336 Bits
Number Code Blocks	1 Block
Binary Channel Bits Per TTI	4800 Bits
Total Available SMLs in UE	19200 SMLs
Number of SMLs per HARQ Process	9600 SMLs
Coding Rate	0.67
Number of Physical Channel Codes	5

Note: settings of required H-Set 1 QPSK acc. to 3GPP 34.121

HS-DSCH Category	Maximum HS-DSCH Codes Received	Minimum Inter-TTI Interval	Maximum HS-DSCH Transport Block Bits/HS-DSCH TTI	Total Soft Channel Bits
1	5	3	7298	19200
2	5	3	7298	28800
3	5	2	7298	28800
4	5	2	7298	38400
5	5	1	7298	57600
6	5	1	7298	67200
7	10	1	14411	115200
8	10	1	14411	134400
9	15	1	25251	172800
10	15	1	27952	172800
11	5	2	3630	14400
12	5	1	3630	28800
13	15	1	34800	259200
14	15	1	42196	259200
15	15	1	23370	345600
16	15	1	27952	345600



### 3) HSUPA

Body SAR is also measured for HSDPA when the maximum average outputs of each RF channel with HSDPA active is at ¼ dB higher than that measured without HSDPA using 12.2kbps RMC or the maximum SAR 12.2kbps RMC is above 75% of the SAR limit. Body SAR for HSPA is measured with E-DCH Sub-test 5, using H-set 1 and QPSK for FRC and 12.2kbps RMC configured in Test Loop Mode 1 with power control algorithm 2, according to the highest body SAR configuration in 12.2 kbps RMC without HSPA.

Due to inner loop power control requirements in HSDPA, a commercial communication test set should be used for the output power and SAR tests. The 12.2 kbps RMC, FRC H-set 1 and E-DCH configurations for HSDPA should be configured according to the b values indicated below as well as other applicable procedures described in the 'UMTS Handset' and 'Release 5 HSDPA Data Device' sections of 3G device.

Sub - test	$b\beta_c$	$b\beta_d$	$\beta_d$ (SF)	$b\beta_c/\beta_d$	$b\beta_{hs}^{(1)}$	$b\beta_{ec}$	$b\beta_{ed}$	$\beta_c$ (SF)	$\beta_{ed}$ (code)	CM <sup>(2)</sup> (dB)	MP R (dB)	AG <sup>(4)</sup> Index	E-TFC I
1	11/15 <sup>(3)</sup>	15/15 <sup>(3)</sup>	64	11/15 <sup>(3)</sup>	22/15	209/25	1039/225	4	1	1.0	0.0	20	75
2	6/15	15/15	64	6/15	12/15	12/15	94/75	4	1	3.0	2.0	12	67
3	15/15	9/15	64	15/9	30/15	30/15	$\beta_{ed1}:4/7/15$ $\beta_{ed2}:4/7/15$	4	2	2.0	1.0	15	92
4	2/15	15/15	64	2/15	4/15	2/15	56/75	4	1	3.0	2.0	17	71
5	15/15 <sup>(4)</sup>	15/15 <sup>(4)</sup>	64	15/15 <sup>(4)</sup>	30/15	24/15	134/15	4	1	1.0	0.0	21	81

Note 1:  $\Delta ACK$ ,  $\Delta NACK$  and  $\Delta CQI = 8P_{A_{hs}} = \beta_{hs}/\beta_c = 30/15P_{\beta_{hs}} = 30/15 * \beta_c$

Note 2: CM = 1 for  $\beta_c/\beta_d = 12/15$ ,  $\beta_{hs}/\beta_c = 24/15$ . For all other combinations of DPDCH, DPCCH, HS-DPCCH, E-DPDCH and E-DPCCH the MPR is based on the relative CM difference

Note 3 : For subtest 1 the  $\beta_c/\beta_d$  ratio of 11/15 for the TFC during the measurement period (TF1, TF0) is achieved by setting the signalled gain factors for the reference TFC (TF1,TF1) to  $\beta_c = 10/15$  and  $\beta_d = 15/15$

Note 4 : For subtest 5 the  $\beta_c/\beta_d$  ratio of 15/15 for the TFC during the measurement period (TF1, TF0) is achieved by setting the signalled gain factors for the reference TFC (TF1,TF1) to  $\beta_c = 14/15$  and  $\beta_d = 15/15$

Note 5 : Testing UE using E-DPDCH Physical Layer category 1 Sub-test 3 is not required according to

TS 25.306 Table 5.1g

Note 6:  $\beta_{ed}$  can not be set directly; it is set by Absolute Grant Value.

UE E-DCH Category	Maximum E-DCH Codes Transmitted	Number of HARQ Processes	E-DCH TTI(ms)	Minimum Spreading Factor	Maximum E-DCH Transport Block Bits	Max Rate (Mbps)
1	1	4	10	4	7110	0.7296
2	2	8	2	4	2798	1.4592
	2	4	10	4	14484	
3	2	4	10	4	14484	1.4592
4	2	8	2	2	5772	2.9185
	2	4	10	2	20000	2.00
5	2	4	10	2	20000	2.00
6 (No DPDCH)	4	8	10	2SF2&2SF	11484	5.76
	4	4	2	4	20000	2.00
7 (No DPDCH)	4	8	2	2SF2&2SF	22996	?
	4	4	10	4	20000	?

NOTE: When 4 codes are transmitted in parallel, two codes shall be transmitted with SF2 and two with SF4. UE categories 1 to 6 support QPSK only. UE category 7 supports QPSK and 16QAM. (TS25.306-7.3.0)

### 7.3 WIFI 2.4G Test Configurations

For WiFi SAR testing, a communication link is set up with the testing software for WiFi mode test. During the test, at the each test frequency channel, the EUT is operated at the RF continuous emission mode. The RF signal utilized in SAR measurement has 100% duty cycle and its crest factor is 1. The test procedures in KDB 248227D01 v02r02 are applied.

**Per KDB 248227 D01 802.11 Wi-Fi SAR v02r02, SAR Test Reduction criteria are as follows:**

SAR test reduction for 802.11 Wi-Fi transmission mode configurations are considered separately for DSSS and OFDM. An initial test position is determined to reduce the number of tests required for certain exposure configurations with multiple test positions. An initial test configuration is determined for each frequency band and aggregated band according to maximum output power, channel bandwidth, wireless mode configurations and other operating parameters to streamline the

measurement requirements. For 2.4 GHz DSSS, either the initial test position or DSSS procedure is applied to reduce the number of SAR tests; these are mutually exclusive. For OFDM, an initial test position is only applicable to next to the ear, UMPC mini-tablet and hotspot mode configurations, which is tested using the initial test configuration to facilitate test reduction. For other exposure conditions with a fixed test position, SAR test reduction is determined using only the initial test configuration.

The multiple test positions require SAR measurements in head, hotspot mode or UMPC mini-tablet configurations may be reduced according to the highest reported SAR determined using the initial test position(s) by applying the DSSS or OFDM SAR measurement procedures in the required wireless mode test configuration(s). The relative SAR levels of multiple exposure test positions can be established by area scan measurements on the highest measured output power channel to determine the initial test position. The area scans must be measured using the same SAR measurement configurations, including test channel, maximum output power, probe tip to phantom distance, scan resolution etc.

When the reported SAR for the initial test position is:

- 1)  $\leq 0.4$  W/kg, further SAR measurement is not required for the other test positions in that exposure configuration and wireless mode combination within the frequency band or aggregated band. DSSS and OFDM configurations are considered separately according to the required SAR procedures.
- 2)  $> 0.4$  W/kg, SAR is repeated using the same wireless mode test configuration tested in the initial test position to measure the subsequent next closet/smallest test separation distance and maximum coupling test position, on the highest maximum output power channel, until the reported SAR is  $\leq 0.8$  W/kg or all required test positions are tested.
- 3) For all positions/configurations tested using the initial test position and subsequent test positions, when the reported SAR is  $> 0.8$  W/kg, measure the SAR for these positions/configurations on the subsequent next highest measured output power channel(s) until the reported SAR is  $\leq 1.2$  W/kg or all required test channels are considered.

SAR is not required for the following 2.4 GHz OFDM conditions.

- 1) When KDB Publication 447498 SAR test exclusion applies to the OFDM configuration.
- 2) When the highest reported SAR for DSSS is adjusted by the ratio of OFDM to DSSS specified maximum output power and the adjusted SAR is  $\leq 1.2$  W/kg.

## 8 SAR Test Results

### 8.1 Conducted Power Measurements

- 1.For the measurements a Rohde & Schwarz Radio Communication Tester CMU200 was used.
- 2.Establish communication link between emulator and EUT and set EUT to operate at maximum output power all the time.
- 3.Source-based Time Averaged Burst Power Calculation:  
 For TDMA,the following duty cycle factor was used to calculate the Source-based Time Averaged power.

Number of Time slot	1	2	3	4
Duty cycle	1:8.3	1:4.1	1:2.77	1:2.08
Duty cycle factor	-9.19	-6.13	-4.42	-3.18

#### 8.1.1 Conducted Power of GSM850

GSM850		Burst-Averaged output Power (dBm)			Division Factors	Source Based time Average Power(dBm)		
		128CH	190CH	251CH		128CH	190CH	251CH
GPRS (GMSK)	1 Tx Slot	32.39	32.69	32.68	-9.19	23.20	23.50	23.49
	2 Tx Slots	32.10	32.04	32.12	-6.13	25.97	25.91	25.99
	3 Tx Slots	31.13	31.05	31.25	-4.42	26.71	26.63	26.83
	4 Tx Slots	30.20	30.10	30.05	-3.18	<b>27.02</b>	<b>26.92</b>	<b>26.87</b>
EDGE (8PSK)	1 Tx Slot	26.65	27.04	27.12	-9.19	17.46	17.85	17.93
	2 Tx Slots	26.43	26.95	27.07	-6.13	20.30	20.82	20.94
	3 Tx Slots	26.41	26.86	27.00	-4.42	21.99	22.44	22.58
	4 Tx Slots	26.39	26.84	27.01	-3.18	23.21	23.66	23.83

Note: 1) The conducted power of GSM850 is measured with RMS detector.

2) Source Based time Average Power was calculated from the measured burst-averaged output power by converting the slot powers into linear units and calculating the energy over 8 timeslots.

3) The bolded GPRS 4Tx slots mode was selected for SAR testing according the highest Source Based time Average Power table.

4) channel/Frequency: 128/824.2,190/836.6,251/848.8

### 8.1.2 Conducted Power of GSM1900

GSM1900		Burst-Averaged output Power (dBm)			Division Factors	Source Based time Average Power(dBm)		
		512CH	661CH	810CH		512CH	661CH	810CH
GPRS (GMSK)	1 Tx Slot	30.47	30.35	30.61	-9.19	21.28	21.16	21.42
	2 Tx Slots	30.45	30.58	30.58	-6.13	24.32	24.45	24.45
	3 Tx Slots	30.61	30.31	30.22	-4.42	26.19	25.89	25.80
	4 Tx Slots	30.08	30.09	30.05	-3.18	<b>26.90</b>	<b>26.91</b>	<b>26.87</b>
EDGE (8PSK)	1 Tx Slot	26.64	26.57	26.80	-9.19	17.45	17.38	17.61
	2 Tx Slots	26.45	26.33	26.70	-6.13	20.32	20.20	20.57
	3 Tx Slots	26.41	26.38	26.65	-4.42	21.99	21.96	22.23
	4 Tx Slots	26.39	26.38	26.55	-3.18	23.21	23.20	23.37

Note: 1) The conducted power of GSM1900 is measured with RMS detector.

2) Source Based time Average Power was calculated from the measured burst-averaged output power by converting the slot powers into linear units and calculating the energy over 8 timeslots.

3) The bolded GPRS 4Tx slots mode was selected for SAR testing according the highest Source Based time Average Power table.

4) channel/Frequency: 512/1850.2,661/1880,810/1909.8

### 8.1.3 Conducted Power of UMTS Band II

UMTS Band II		Conducted Power (dBm)		
		9262CH	9400CH	9538CH
WCDMA	12.2kbps RMC	23.30	23.65	23.10
HSDPA	Subtest 1	23.12	23.45	23.11
	Subtest 2	23.02	23.55	23.05
	Subtest 3	23.11	23.55	23.01
	Subtest 4	23.28	23.38	23.10
HSUPA	Subtest 1	22.71	23.18	22.52
	Subtest 2	22.34	22.86	22.17
	Subtest 3	23.08	22.52	22.90
	Subtest 4	22.81	23.26	22.52
	Subtest 5	23.10	23.48	22.74

Note: 1) channel /Frequency: 9262/1852.4,9400/1880,9538/1907.6

### 8.1.4 Conducted Power of UMTS Band V

UMTS Band V		Conducted Power (dBm)		
		4132CH	4182CH	4233CH
WCDMA	12.2kbps RMC	23.22	23.38	23.30
HSDPA	Subtest 1	23.13	23.08	23.27
	Subtest 2	23.33	23.31	23.31
	Subtest 3	23.64	23.28	23.22
	Subtest 4	22.51	22.44	23.11
HSUPA	Subtest 1	22.80	22.85	22.52
	Subtest 2	22.48	22.57	22.57
	Subtest 3	22.21	22.29	22.92
	Subtest 4	22.85	22.80	22.40
	Subtest 5	22.47	22.94	22.71

Note: 1) channel /Frequency: 4132/826.4,4182/836.4,4233/846.6

### 8.1.5 Conducted Power of WiFi 2.4G

The output power of WiFi 2.4G is as following:

Mode	Channel	Frequency (MHz)	Data Rate (Mbps)	Tune-up	Average Power(dBm)	SAR Test (Yes/No)
802.11b	1	2412	1	15.5	14.30	Yes
	6	2437		15.5	<b>14.89</b>	Yes
	11	2462		15.5	14.57	Yes
802.11g	1	2412	6	14.5	Not Required	No
	6	2437		14.5	Not Required	No
	11	2462		14.5	Not Required	No
802.11n (HT20)	1	2412	6.5	14.5	Not Required	No
	6	2437		14.5	Not Required	No
	11	2462		14.5	Not Required	No

Note: 1) An entry of "Not Required" means power measurement is not required according to the default power measurement procedures in KDB248227D01.

### 8.1.6 Conducted Power of BT

The output power of BT antenna is as following:

For BT 3.0:

Average Conducted Power(dBm)			
Channel	0CH	39CH	78CH
GFSK	5.271	4.857	5.195
$\pi/4$ DQPSK	6.086	5.691	6.022
8DPSK	6.372	5.935	6.276

Note: 1) channel /Frequency: 0/2402, 39/2441, 78/2480

For BT 4.0:

Average Conducted Power(dBm)			
Channel	0CH	19CH	39CH
BT	2.745	3.271	3.67

Note: 1) channel /Frequency: 0/2402, 19/2440, 39/2480.

## 8.2 SAR test results

### Notes:

1) Per KDB447498 D01v06, testing of other required channels within the operating mode of a frequency band is not required when the reported 1-g or 10-g SAR for the mid-band or highest output power channel is:  $\leq 0.8$  W/kg or 2.0 W/kg, for 1-g or 10-g respectively, when the transmission band is  $\leq 100$  MHz. When the maximum output power variation across the required test channels is  $> \frac{1}{2}$  dB, instead of the middle channel, the highest output power channel must be used.

2) Per KDB447498 D01v06, All measurement SAR result is scaled-up to account for tune-up tolerance is compliant.

3) Per KDB865664 D01v01r04, for each frequency band, repeated SAR measurement is required only when the measured SAR is  $\geq 2.0$ W/Kg; if the deviation among the repeated measurement is  $\leq 20\%$ , and the measured SAR  $< 3.6$ W/Kg, only one repeated measurement is required.

4) Per KDB865664 D02v01r02, SAR plot is only required for the highest measured SAR in each exposure configuration, wireless mode and frequency band combination; Plots are also required when the measured SAR is  $> 1.5$  W/kg, or  $> 7.0$  W/kg for occupational exposure. The same procedures should be adapted for measurements according to extremity exposure limits by applying a factor of 2.5 for extremity exposure. The published RF exposure KDB procedures may require additional plots; for example, to support SAR to peak location separation ratio test exclusion and/or volume scan post-processing (Refer to appendix B for details).

5) The NFC antenna is integrated onto the shell. The SAR tests were performed with the shell. Per KDB 648474 D04 devices with built-in NFC functions do not require separate SAR testing and can generally be tested according to the SAR measurement procedures normally required for the devices. Influences of the hardware introduced by the built-in NFC functions are inherently considered through testing of the other transmitters that require SAR.



**8.2.1 Results overview of GSM850**

Test Position With 0mm	Test channel /Freq.(MHz)	Test Mode	SAR Value (W/kg)		Power Drift (dBm)	Conducted Power (dBm)	Tune-up power (dBm)	Scaled SAR <sub>10-g</sub> (W/kg)	Liquid Temp.
			1-g	10-g					
Front Side	190/836.6	GPRS 4TS	0.470	0.309	-0.100	30.100	31.000	0.380	21.53°C
Back Side	190/836.6	GPRS 4TS	0.789	0.490	-0.090	30.100	31.000	0.603	21.53°C
Right Side	190/836.6	GPRS 4TS	1.150	0.633	-0.080	30.100	31.000	<b>0.779</b>	21.53°C
Top Side	190/836.6	GPRS 4TS	0.221	0.118	-0.040	30.100	31.000	0.145	21.53°C

### 8.2.2 Results overview of GSM1900

Test Position With 0mm	Test channel /Freq.(MHz)	Test Mode	SAR Value (W/kg)		Power Drift (dBm)	Conducted Power (dBm)	Tune-up power (dBm)	Scaled SAR <sub>10-g</sub> (W/kg)	Liquid Temp.
			1-g	10-g					
Front Side	661/1880	GPRS 4TS	1.410	0.751	0.010	30.09	31.00	0.926	21.36°C
Back Side	661/1880	GPRS 4TS	2.630	1.260	-0.020	30.09	31.00	1.554	21.36°C
Right Side	661/1880	GPRS 4TS	4.460	2.120	-0.100	30.09	31.00	<b>2.614</b>	21.36°C
Top Side	661/1880	GPRS 4TS	0.211	0.114	0.090	30.09	31.00	0.141	21.36°C
Right Side	512/1850.2	GPRS 4TS	4.390	2.100	-0.030	30.08	31.00	2.595	21.36°C
Right Side	810/1909.8	GPRS 4TS	4.360	2.060	-0.040	30.05	31.00	2.593	21.36°C
Right Side-Repeated	661/1880	GPRS 4TS	4.360	2.090	0.070	30.09	31.00	2.577	21.36°C

### 8.2.3 Results overview of UMTS Band V

Test Position With 0mm	Test channel /Freq.(MHz)	Test Mode	SAR Value (W/kg)		Power Drift (dBm)	Conducted Power (dBm)	Tune-up power (dBm)	Scaled SAR <sub>10-g</sub> (W/kg)	Liquid Temp.
			1-g	10-g					
Front Side	4182/836.4	RMC	0.165	0.111	-0.130	23.38	24.50	0.144	21.53°C
Back Side	4182/836.4	RMC	0.301	0.191	0.150	23.38	24.50	0.247	21.53°C
Right Side	4182/836.4	RMC	0.481	0.261	-0.170	23.38	24.50	<b>0.338</b>	21.53°C
Top Side	4182/836.4	RMC	0.081	0.043	-0.020	23.38	24.50	0.056	21.53°C

### 8.2.4 Results overview of UMTS Band II

Test Position With 0mm	Test channel /Freq.(MHz)	Test Mode	SAR Value (W/kg)		Power Drift (dBm)	Conducted Power (dBm)	Tune-up power (dBm)	Scaled SAR <sub>10-g</sub> (W/kg)	Liquid Temp.
			1-g	10-g					
Front Side	9400/1800	RMC	0.503	0.273	-0.010	23.65	24.50	0.332	21.36°C
Back Side	9400/1800	RMC	1.010	0.489	-0.160	23.65	24.50	0.595	21.36°C
Right Side	9400/1800	RMC	3.430	1.620	-0.180	23.65	24.50	<b>1.970</b>	21.36°C
Top Side	9400/1800	RMC	0.210	0.113	0.150	23.65	24.50	0.137	21.36°C

### 8.2.5 Results overview of WiFi 2.4G

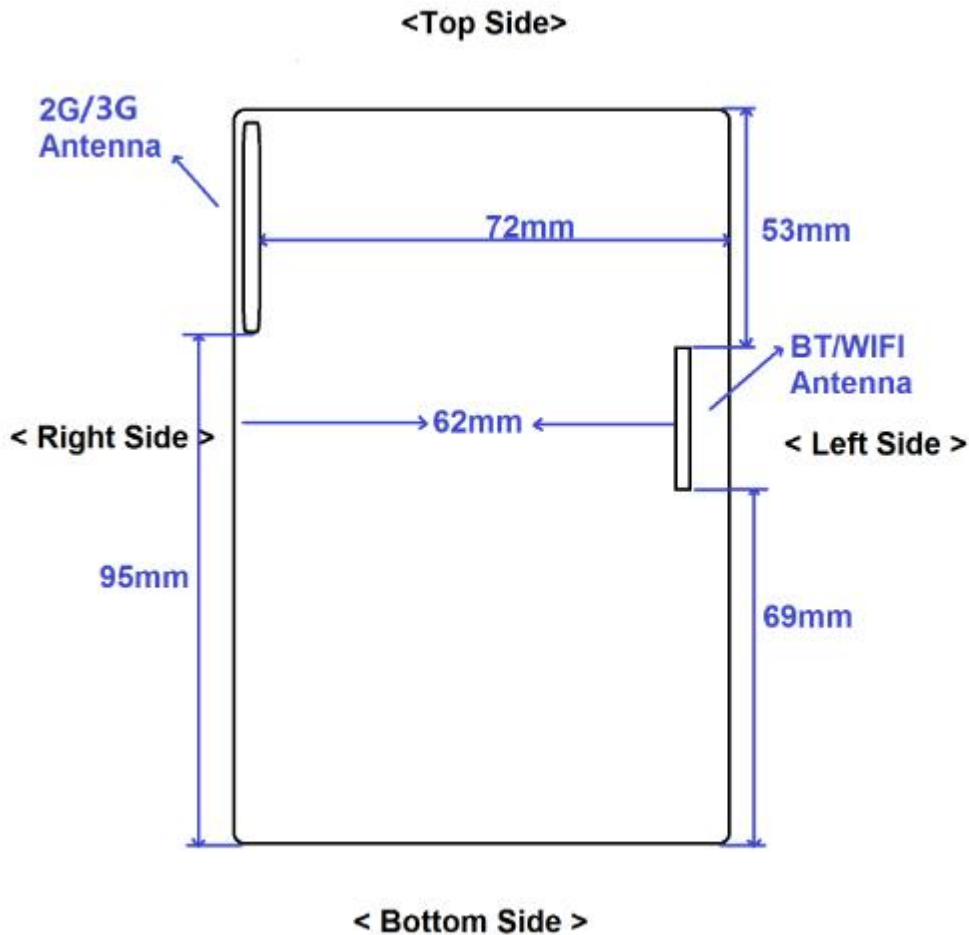
Test Position With 0mm	Test channel /Freq. (MHz)	Test Mode	SAR Value (W/kg)		Power Drift (dBm)	Conduct ed Power (dBm)	Tune-up power (dBm)	Scaled SAR <sub>10-g</sub> (W/kg)	Actual duty factor	Reporte SAR <sub>10-g</sub> (W/kg)
			10-g Area Scan	10-g Zoom Scan						
Front Side	6/2437	802.11b	0.121	/	0.020	14.89	15.50	0.139	90.48%	0.154
Back Side	6/2437	802.11b	0.061	/	-0.050	14.89	15.50	0.071	90.48%	0.079
Top Side	6/2437	802.11b	0.041	/	0.030	14.89	15.50	0.047	90.48%	0.052
Left Side	6/2437	802.11b	0.312	0.333	0.040	14.89	15.50	<b>0.383</b>	90.48%	<b>0.423</b>

Note: Per KDB248227D01:

- 1) SAR is measured for 2.4 GHz 802.11b DSSS using initial test position procedure.
- 2) As the highest reported SAR for DSSS is adjusted by the ratio of OFDM 802.11g to DSSS specified maximum output power and the adjusted SAR is < 1.2 W/kg, so SAR for OFDM 802.11g is required. he same procedures should be adapted for measurements according to extremity exposure limits by applying a factor of 2.5 for extremity exposure.
- 3) As the highest reported SAR for DSSS is adjusted by the ratio of OFDM 802.11n(20MHz and 40MHz) to DSSS specified maximum output power and the adjusted SAR is < 1.2 W/kg, so SAR for OFDM 802.11n(20MHz) is required. The same procedures should be adapted for measurements according to extremity exposure limits by applying a factor of 2.5 for extremity exposure.

### 8.3 Multiple Transmitter Information

The location of the antennas inside WPP23 is shown as below picture:



<Back View>

The SAR measurement positions of each side are as below:

Antenna	Front Side	Rear Side	Left Side	Right Side	Top Side	Bottom Side
2G/3G	Yes	Yes	No	Yes	Yes	No
WiFi	Yes	Yes	Yes	No	No	No

1) Per KDB 447498 D01 v06, When the antenna-to-edge distance is > 50 mm, such position does not need to be tested. 0.4 W/kg for 1-g SAR and 1.0 W/kg for 10-g SAR for such position for Simultaneous transmission SAR test exclusion considerations. For conditions where the estimated SAR is overly conservative for certain conditions, the test lab may choose to perform standalone SAR measurements and use the measured SAR to determine simultaneous transmission SAR test exclusion.

### 8.4 Stand-alone SAR

Per FCC KDB 447498D01:

1) The 1-g and 10-g SAR test exclusion thresholds for 100 MHz to 6 GHz at test separation distances  $\leq$  50 mm are determined by:

$[(\text{max. power of channel, including tune-up tolerance, mW}) / (\text{min. test separation distance, mm})] \cdot [\sqrt{f(\text{GHz})}] \leq 3.0$  for 1-g SAR and  $\leq 7.5$  for 10-g extremity SAR, where

- f(GHz) is the RF channel transmit frequency in GHz
- Power and distance are rounded to the nearest mW and mm before calculation
- The result is rounded to one decimal place for comparison

When the minimum test separation distance is  $< 5$  mm, a distance of 5 mm is applied to determine SAR test exclusion.

Mode	Position	P <sub>max</sub> (dBm)	P <sub>max</sub> (mW)	Distance (mm)	F (GHz)	Calculation Result	SAR test exclusion Threshold	SAR test exclusion
BT	extremity	8.00	6.31	5.00	2.450	1.98	7.50	Yes

2) When the standalone SAR test exclusion applies to an antenna that transmits simultaneously with other antennas, the standalone SAR must be estimated according to the following to determine simultaneous transmission SAR test exclusion:

$(\text{max. power of channel, including tune-up tolerance, mW}) / (\text{min. test separation distance, mm}) \cdot [\sqrt{f(\text{GHz})/x}] \text{ W/kg}$  for test separation distances  $\leq 50$  mm, where  $x = 7.5$  for 1-g SAR and  $x = 18.75$  for 10-g SAR.

When the minimum test separation distance is  $< 5$  mm, a distance of 5 mm is applied to determine SAR test exclusion.

Mode	Position	P <sub>max</sub> (dBm)	P <sub>max</sub> (mW)	Distance(mm)	f(GHz)	X	Estimated SAR(W/Kg)
BT	extremity	8.00	6.31	5.00	2.45	18.75	0.105

- Note: 1) maximum possible output power (including tune-up tolerance) declared by manufacturer  
2) Held to ear configurations are not applicable to Bluetooth for this device

## 8.5 Simultaneous Transmission Possibilities

The Simultaneous Transmission Possibilities of this device are as below:

Simultaneous Tx Combination	Configuration	Head	extremity	Hotspot
1	2G/3G + WiFi 2.4G	NA	Yes	NA
2	2G/3G + BT	NA	Yes	NA

Note: 1)The device does not support simultaneous BT and WiFi 2.4G, because the BT and WiFi 2.4G share the same antenna and can't transmit simultaneously.

2)This devices are designed and intended for use in extremity exposure conditions, that is hands only and doesn't support voice and Hotspot mode, the head and hotspot mode is not applicable.

## 8.6 SAR Summation Scenario

Test Position		2G/3G Antenna SAR <sub>max</sub>				WiFi/BT Antenna SAR <sub>max</sub>		Σ10-g SAR10-g	SPLSP
		GSM850	GSM1900	UMTS Band II	UMTS Band V	WiFi 2.4G	BT		
extremity 0mm	Front side	0.380	0.926	0.332	0.144	0.154	0.105	1.080	NA
	Back side	0.603	1.554	0.595	0.247	0.079	0.105	1.659	NA
	Left side	1.000	1.000	1.000	1.000	0.423	0.105	1.423	NA
	Right side	0.779	2.614	1.970	0.338	1.000	0.105	3.614	NA
	Top side	0.145	0.141	0.137	0.056	0.052	0.105	0.250	NA
	Bottom side	1.000	1.000	1.000	1.000	1.000	0.105	2.000	NA

Note: Simultaneous Tx Combination of 2G/3G antenna and 2.4G WiFi/BT.

## 8.7 Simultaneous Transmission Conclusion

The above numeral summed SAR results is sufficient to determine that simultaneous transmission cases will not exceed the SAR limit and therefore simultaneous transmission SAR with Volume Scans

is not required per KDB 447498 D01v06



**Annex A: Appendix A: SAR System performance Check Plots**

(Please See Appendix A)

**Annex B: Appendix B: SAR Measurement results Plots**

(Please See Appendix B)

**Annex C: Appendix C: Calibration reports**

(Please See Appendix C)

**Annex D: Appendix D: Photo documentation**

(Please See Appendix D)

—END OF REPORT—

The test report is effective only with both signature and specialized stamp, The result(s) shown in this report refer only to the sample(s) tested. Without written approval of CTI, this report can't be reproduced except in full.