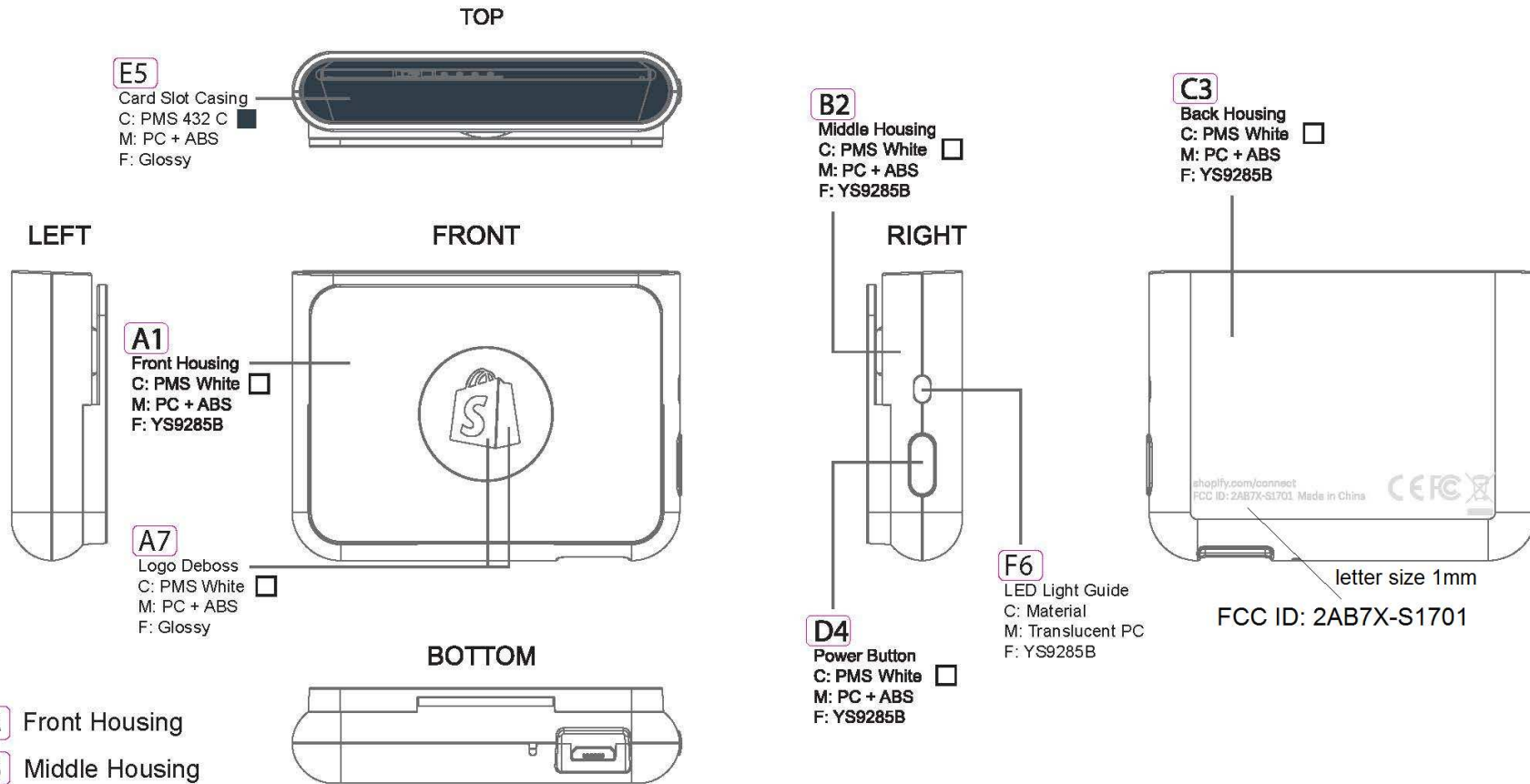




Section 1 : Please specify the product color and silkscreen position for production reference.



- A** Front Housing
- B** Middle Housing
- C** Back Housing
- D** Power Button
- E** Card Slot Casing
- F** LED Light Guide

Scale: 1:1

Reminder: Please specify the "Pantone" of requested silkscreen printings or product colors.
RGB or CMYK information is not appropriate for silkscreen / product color reference.