

TEST REPORT

Report No.: 17051458HKG-002

BBPOS International Limited

Application For Certification
(Original Grant)

FCC ID: 2AB7X-CHC2XBT

Transceiver
(This report covers Bluetooth portion only)

PREPARED AND CHECKED BY:

APPROVED BY:

Signed On File
Wong Cheuk Ho, Herbert
Lead Engineer

Wong Kwok Yeung, Kenneth
Senior Lead Engineer
Date: July 18, 2017

Intertek's standard Terms and Conditions can be obtained at our website <http://www.intertek.com/terms/>.

The test report only allows to be revised within the retention period unless further standard or the requirement was noticed

This report is for the exclusive use of Intertek's Client and is provided pursuant to the agreement between Intertek and its Client. Intertek's responsibility and liability are limited to the terms and conditions of the agreement. Intertek assumes no liability to any party, other than to the Client in accordance with the agreement, for any loss, expense or damage occasioned by the use of this report. Only the Client is authorized to permit copying or distribution of this report and then only in its entirety. Any use of the Intertek name or one of its marks for the sale or advertisement of the tested material, product or service must first be approved in writing by Intertek. The observations and test results in this report are relevant only to the sample tested. This report by itself does not imply that the material, product, or service is or has ever been under an Intertek certification program.

© 2017 Intertek

TEST REPORT**GENERAL INFORMATION**

Grantee:	BBPOS International Limited
Grantee Address:	Suite 1602, 16/F, Tower 2, Nina Tower, No. 8 Yeung Uk Road, Tsuen Wan, N.T., Hong Kong.
Contact Person:	Adrian Kwan
Tel:	(852) 3907-0311
Fax:	(852) 3158-2586
e-mail:	Adrian.kwan@bbpos.com
Manufacturer:	BBPOS International Limited
Manufacturer Address:	Suite 1602, 16/F, Tower 2, Nian Tower, No. 8 Yeung Uk Road, Tsuen Wan, N.T., Hong Kong.
Brand Name:	N/A
Model / HVIN:	Chipper 2X BT
Type of EUT:	Transceiver
Description of EUT:	Chipper 2X BT
Serial Number:	N/A
FCC ID:	2AB7X-CHC2XBT
Date of Sample Submitted:	May 19, 2017
Date of Test:	May 19, 2017 to July 13, 2017
Report No.:	17051458HKG-002
Report Date:	July 18, 2017
Environmental Conditions:	Temperature: +10 to 40°C Humidity: 10 to 90%

TEST REPORT

SUMMARY OF TEST RESULT

TEST SPECIFICATION	REFERENCE	RESULTS
Transmitter Power Line Conducted Emissions	15.207	Pass
Radiated Emission	15.249, 15.209	Pass
Radiated Emission on the Bandedge		
Radiated Emission in Restricted Bands	15.205	Pass

The equipment under test is found to be complying with the following standards:

FCC Part 15, October 1, 2015 Edition

- Note:
1. The EUT uses a permanently attached antenna which, in accordance to section 15.203, is considered sufficient to comply with the provisions of this section.
 2. Pursuant to FCC part 15 Section 15.215(c), the 20 dB bandwidth of the emission was contained within the frequency band designated (mentioned as above) which the EUT operated. The effects, if any, from frequency sweeping, frequency hopping, other modulation techniques and frequency stability over expected variations in temperature and supply voltage were considered.

TEST REPORT

TABLE OF CONTENTS

1.0 GENERAL DESCRIPTION 5

1.1 Product Description 5

1.2 Related Submittal(s) Grants 5

1.3 Test Methodology 5

1.4 Test Facility 5

2.0 SYSTEM TEST CONFIGURATION 6

2.1 Justification 6

2.2 EUT Exercising Software 6

2.3 Special Accessories 6

2.4 Measurement Uncertainty 6

2.5 Support Equipment List and Description 6

3.0 EMISSION RESULTS 7

3.1 Field Strength Calculation 7

3.2 Radiated Emission Configuration Photograph 8

3.3 Radiated Emission Data 8

3.4 Conducted Emission Configuration Photograph 8

3.5 Conducted Emission Data 8

4.0 EQUIPMENT PHOTOGRAPHS 17

5.0 PRODUCT LABELLING 17

6.0 TECHNICAL SPECIFICATIONS 17

7.0 INSTRUCTION MANUAL 17

8.0 MISCELLANEOUS INFORMATION 18

8.1 Radiated Emission on the Bandedge 18

8.2 Discussion of Pulse Desensitization 23

8.3 Calculation of Average Factor 23

8.4 Emissions Test Procedures 26

8.5 Occupied Bandwidth 30

9.0 EQUIPMENT LIST 32

TEST REPORT

1.0 GENERAL DESCRIPTION

1.1 Product Description

The Equipment Under Test (EUT) is a Chipper 2X BT which is a Bluetooth controlled mobile POS device (point of sale device). It supports reading magnetic stripe credit card, EMV smart credit card (Europay, MasterCard, and Visa Card) and NFC credit card. It can be paired with smartphone or tablet and operated by mobile APP. A MSR module (magnetic stripe reader) and EMV smart card interface are used for reading magnetic stripe credit card and EMV smart credit card data respectively. A 13.56MHz (single channel) NFC reader is for reading NFC credit card. The EUT can support both Bluetooth 2.1 and Bluetooth 4.0 BLE. Bluetooth 2.1 occupies a frequency range of 2402MHz to 2480MHz (79 channels with channel spacing of 1MHz) while Bluetooth 4.0 BLE occupies a frequency range of 2402MHz to 2480MHz (40 channels with channel spacing of 2MHz). The EUT is powered by 3.7V internal rechargeable battery and/or USB port (5VDC).

Antenna Type: Internal, Integral

For electronic filing, the brief circuit description is saved with filename: descri.pdf.

1.2 Related Submittal(s) Grants

This is a single application for certification of a transceiver.

1.3 Test Methodology

Both AC mains line-conducted and radiated emission measurements were performed according to the procedures in ANSI C63.10 (2013). All radiated measurements were performed in an 3m Chamber. Preliminary scans were performed in the 3m Chamber only to determine worst case modes. All radiated tests were performed at an antenna to EUT distance of 3 meters, unless stated otherwise in the “**Justification Section**” of this Application.

1.4 Test Facility

The 3m Chamber and conducted measurement facility used to collect the radiated data is located at Workshop No. 3, G/F., World-Wide Industrial Centre, 43-47 Shan Mei Street, Fo Tan, Sha Tin, N.T., Hong Kong. This test facility and site measurement data have been placed on file with the FCC and IC No. 2042V-1.

TEST REPORT**2.0 SYSTEM TEST CONFIGURATION****2.1 Justification**

The system was configured for testing in a typical fashion (as a customer would normally use it), and in the confines as outlined in ANSI C63.10 (2013).

The device was powered by USB port (5VDC) and/or 3.7VDC rechargeable battery.

For maximizing emissions, the EUT was rotated through 360°, the antenna height was varied from 1 meter to 4 meters above the ground plane, and the antenna polarization was changed. This step by step procedure for maximizing emissions led to the data reported in Exhibit 3.0.

The rear of unit shall be flushed with the rear of the table.

The equipment under test (EUT) was configured for testing in a typical fashion (as a customer would normally use it). The EUT was mounted to a plastic stand if necessary and placed on the wooden turntable, which enabled the engineer to maximize emissions through its placement in the three orthogonal axes.

All configuration mode (with and without PC charging during transceiver test) had been considered, and worst case test data (with PC charging) are shown on this test report.

For simultaneous transmission, both Bluetooth hand NFC portions are also switched on when taking radiated emission for determining worst-case spurious emission.

2.2 EUT Exercising Software

The EUT exercise program (if any) used during radiated testing was designed to exercise the various system components in a manner similar to a typical use.

2.3 Special Accessories

There are no special accessories necessary for compliance of this product.

2.4 Measurement Uncertainty

When determining of the test conclusion, the Measurement Uncertainty of test has been considered.

Uncertainty and Compliance - Unless the standard specifically states that measured values are to be extended by the measurement uncertainty in determining compliance, all compliance determinations are based on the actual measured value.

2.5 Support Equipment List and Description

1. HP notebook computer (Adaptor Model: HSTNN-CA15)
2. LAN cable of 2m long
3. USB cable of 0.6m long
(Provided by Intertek)
4. EMV/NFC card
(Provided by applicant)

TEST REPORT

3.0 EMISSION RESULTS

Data is included of the worst case configuration (the configuration which resulted in the highest emission levels). A sample calculation, configuration photographs and data tables of the emissions are included.

3.1 Field Strength Calculation

The field strength is calculated by adding the Antenna Factor and Cable Factor, and subtracting the Amplifier Gain (if any), Average Factor (optional) from the measured reading. The basic equation with a sample calculation is as follows:

$$FS = RA + AF + CF - AG - AV$$

where FS = Field Strength in dBμV/m

RA = Receiver Amplitude (including preamplifier) in dBμV

CF = Cable Attenuation Factor in dB

AF = Antenna Factor in dB

AG = Amplifier Gain in dB

AV = Average Factor in dB

In the following table(s), the reading shown on the data table reflects the preamplifier gain. An example for the calculations in the following table is as follows:

$$FS = RR + LF$$

where FS = Field Strength in dBμV/m

RR = RA - AG - AV in dBμV

LF = CF + AF in dB

Assume a receiver reading of 52.0 dBμV is obtained. The antenna factor of 7.4 dB and cable factor of 1.6 dB are added. The amplifier gain of 29 dB and average factor of 5 dB are subtracted, giving a field strength of 32 dBμV/m. This value in dBμV/m was converted to its corresponding level in μV/m.

$$RA = 52.0 \text{ dB}\mu\text{V/m}$$

$$AF = 7.4 \text{ dB}$$

$$CF = 1.6 \text{ dB}$$

$$AG = 29.0 \text{ dB}$$

$$AV = 5.0 \text{ dB}$$

$$FS = RR + LF$$

$$FS = 18 + 9 = 27 \text{ dB}\mu\text{V/m}$$

$$RR = 18.0 \text{ dB}\mu\text{V}$$

$$LF = 9.0 \text{ dB}$$

$$\text{Level in } \mu\text{V/m} = \text{Common Antilogarithm } [(27 \text{ dB}\mu\text{V/m})/20] = 22.4 \mu\text{V/m}$$

TEST REPORT

3.2 Radiated Emission Configuration Photograph

The worst case in radiated emission was found at 366.105 MHz

For electronic filing, the worst case radiated emission configuration photographs are saved with filename: radiated photos.pdf.

3.3 Radiated Emission Data

The data on the following page lists the significant emission frequencies, the limit and the margin of compliance. Numbers with a minus sign are below the limit.

Judgment: Passed by 7.2 dB

3.4 Conducted Emission Configuration Photograph

The worst case in line-conducted emission was found at 0.150 MHz

For electronic filing, the worst case line-conducted configuration photographs are saved with filename: conducted photo.pdf.

3.5 Conducted Emission Data

For electronic filing, the graph and data table of conducted emission is saved with filename: conducted.pdf.

Judgment: Pass by 15.3 dB

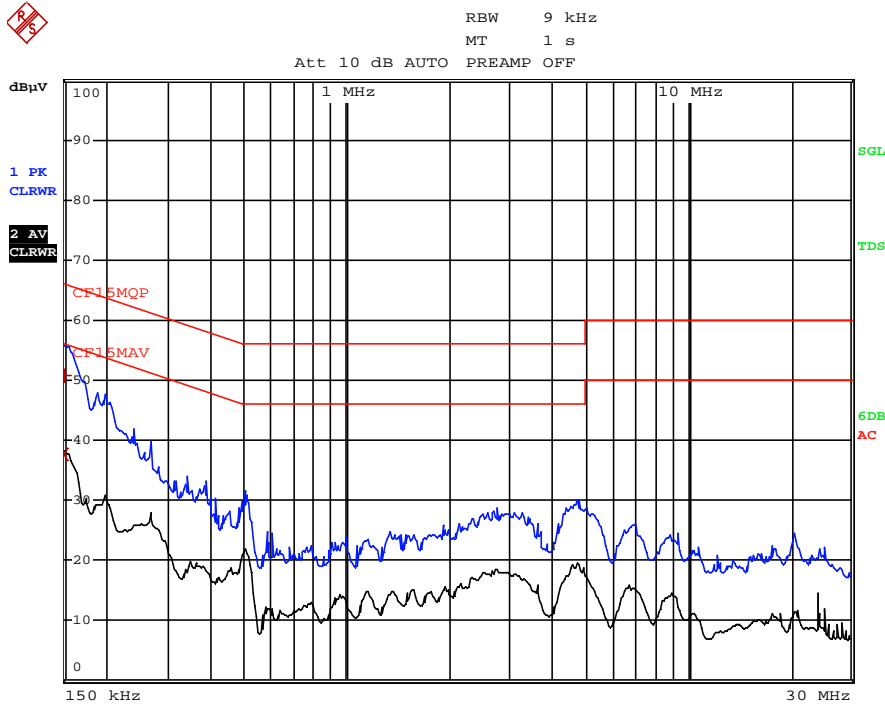
TEST REPORT

CONDUCTED EMISSION

Model: Chipper 2X BT

Date of Test: July 13, 2017

Worst-Case Operating Mode: PC charging USB port + simultaneously Transmitting (13.56MHz portion and Bluetooth portion)



EDIT PEAK LIST (Final Measurement Results)				
Trace1:	CF15MQP			
Trace2:	CF15MAV			
Trace3:	---			
TRACE	FREQUENCY	LEVEL dBµV		DELTA LIMIT dB
1 Quasi Peak	150 kHz	50.67	L1	-15.32
2 CISPR Average	150 kHz	37.57	N	-18.42

Note: Measurement Uncertainty is ± 4.2 dB at a level of confidence of 95%.

TEST REPORT

RADIATED EMISSIONS

Model: Chipper 2X BT

Date of Test: July 13, 2017

Worst-Case Operating Mode: Transmitting (Bluetooth 2.1)

Table 1
Pursuant to FCC Part 15 Section 15.249 Requirement

Lowest Channel

Polarization	Frequency (MHz)	Reading (dBμV)	Pre-Amp Gain (dB)	Antenna Factor (dB)	Net at 3m - Peak (dBμV/m)	Average Factor (dB)	Calculated at 3m (dBμV/m)	Average Limit at 3m (dBμV/m)	Margin (dB)
V	2402.000	96.2	33	29.4	92.6	24	68.6	94.0	-25.4
V	4804.000	43.4	33	34.9	45.3	24	21.3	54.0	-32.7
V	7206.000	37.9	33	37.9	42.8	24	18.8	54.0	-35.2
V	9608.000	37.8	33	40.4	45.2	24	21.2	54.0	-32.8
V	12010.000	39.4	33	40.5	46.9	24	22.9	54.0	-31.1
V	14412.000	43.3	33	40.0	50.3	24	26.3	54.0	-27.7

Polarization	Frequency (MHz)	Reading (dBμV)	Pre-Amp Gain (dB)	Antenna Factor (dB)	Net at 3m - Peak (dBμV/m)	Peak Limit at 3m (dBμV/m)	Margin (dB)
V	2402.000	96.2	33	29.4	92.6	114.0	-21.4
V	4804.000	43.4	33	34.9	45.3	74.0	-28.7
V	7206.000	37.9	33	37.9	42.8	74.0	-31.2
V	9608.000	37.8	33	40.4	45.2	74.0	-28.8
V	12010.000	39.4	33	40.5	46.9	74.0	-27.1
V	14412.000	43.3	33	40.0	50.3	74.0	-23.7

- NOTES:
1. Peak Detector Data unless otherwise stated.
 2. All measurements were made at 3 meters. Harmonic emissions not detected at the 3-meter distances were measured at 0.3-meter and an inverse proportional extrapolation was performed to compare the signal level to the 3-meter limit. No other harmonic emissions than those reported were detected at a test distance of 0.3-meter.
 3. Negative sign in the column shows value below limit.
 4. Horn antenna is used for the emission over 1000MHz.
 5. Emission (the row indicated by **bold italic**) within the restricted band meets the requirement of FCC Part 15 Section 15.205.
 6. Measurement Uncertainty is ±5.3dB at a level of confidence of 95%.

TEST REPORT

Model: Chipper 2X BT

Date of Test: July 13, 2017

Worst-Case Operating Mode: Transmitting (Bluetooth 2.1)

Table 2
Pursuant to FCC Part 15 Section 15.249 Requirement

Middle Channel

Polarization	Frequency (MHz)	Reading (dBμV)	Pre-Amp Gain (dB)	Antenna Factor (dB)	Net at 3m - Peak (dBμV/m)	Average Factor (dB)	Calculated at 3m (dBμV/m)	Average Limit at 3m (dBμV/m)	Margin (dB)
V	2442.000	97.9	33	29.4	94.3	24	70.3	94.0	-23.7
V	4884.000	43.3	33	34.9	45.2	24	21.2	54.0	-32.8
V	7326.000	37.8	33	37.9	42.7	24	18.7	54.0	-35.3
V	9768.000	38.2	33	40.4	45.6	24	21.6	54.0	-32.4
V	12210.000	38.9	33	40.5	46.4	24	22.4	54.0	-31.6
V	14652.000	45.3	33	38.4	50.7	24	26.7	54.0	-27.3

Polarization	Frequency (MHz)	Reading (dBμV)	Pre-Amp Gain (dB)	Antenna Factor (dB)	Net at 3m - Peak (dBμV/m)	Peak Limit at 3m (dBμV/m)	Margin (dB)
V	2442.000	97.9	33	29.4	94.3	114.0	-19.7
V	4884.000	43.3	33	34.9	45.2	74.0	-28.8
V	7326.000	37.8	33	37.9	42.7	74.0	-31.3
V	9768.000	38.2	33	40.4	45.6	74.0	-28.4
V	12210.000	38.9	33	40.5	46.4	74.0	-27.6
V	14652.000	45.3	33	38.4	50.7	74.0	-23.3

- NOTES:
1. Peak Detector Data unless otherwise stated.
 2. All measurements were made at 3 meters. Harmonic emissions not detected at the 3-meter distances were measured at 0.3-meter and an inverse proportional extrapolation was performed to compare the signal level to the 3-meter limit. No other harmonic emissions than those reported were detected at a test distance of 0.3-meter.
 3. Negative sign in the column shows value below limit.
 4. Horn antenna is used for the emission over 1000MHz.
 5. Emission (the row indicated by **bold italic**) within the restricted band meets the requirement of FCC Part 15 Section 15.205.
 6. Measurement Uncertainty is ±5.3dB at a level of confidence of 95%.

TEST REPORT

Model: Chipper 2X BT

Date of Test: July 13, 2017

Worst-Case Operating Mode: Transmitting (Bluetooth 2.1)

Table 3
Pursuant to FCC Part 15 Section 15.249 Requirement

Highest Channel

Polarization	Frequency (MHz)	Reading (dBμV)	Pre-Amp Gain (dB)	Antenna Factor (dB)	Net at 3m - Peak (dBμV/m)	Average Factor (dB)	Calculated at 3m (dBμV/m)	Average Limit at 3m (dBμV/m)	Margin (dB)
V	2480.000	98.1	33	29.4	94.5	24	70.5	94.0	-23.5
V	4960.000	43.5	33	34.9	45.4	24	21.4	54.0	-32.6
V	7440.000	37.9	33	37.9	42.8	24	18.8	54.0	-35.2
V	9920.000	38.4	33	40.4	45.8	24	21.8	54.0	-32.2
V	12400.000	38.7	33	40.5	46.2	24	22.2	54.0	-31.8
V	14880.000	45.4	33	38.4	50.8	24	26.8	54.0	-27.2

Polarization	Frequency (MHz)	Reading (dBμV)	Pre-Amp Gain (dB)	Antenna Factor (dB)	Net at 3m - Peak (dBμV/m)	Peak Limit at 3m (dBμV/m)	Margin (dB)
V	2480.000	98.1	33	29.4	94.5	114.0	-19.5
V	4960.000	43.5	33	34.9	45.4	74.0	-28.6
V	7440.000	37.9	33	37.9	42.8	74.0	-31.2
V	9920.000	38.4	33	40.4	45.8	74.0	-28.2
V	12400.000	38.7	33	40.5	46.2	74.0	-27.8
V	14880.000	45.4	33	38.4	50.8	74.0	-23.2

- NOTES:
1. Peak Detector Data unless otherwise stated.
 2. All measurements were made at 3 meters. Harmonic emissions not detected at the 3-meter distances were measured at 0.3-meter and an inverse proportional extrapolation was performed to compare the signal level to the 3-meter limit. No other harmonic emissions than those reported were detected at a test distance of 0.3-meter.
 3. Negative sign in the column shows value below limit.
 4. Horn antenna is used for the emission over 1000MHz.
 5. Emission (the row indicated by **bold italic**) within the restricted band meets the requirement of FCC Part 15 Section 15.205.
 6. Measurement Uncertainty is ±5.3dB at a level of confidence of 95%.

TEST REPORT

Model: Chipper 2X BT

Date of Test: July 13, 2017

Worst-Case Operating Mode: Transmitting (Bluetooth 4.0 BLE)

Table 4
Pursuant to FCC Part 15 Section 15.249 Requirement

Lowest Channel

Polarization	Frequency (MHz)	Reading (dBμV)	Pre-Amp Gain (dB)	Antenna Factor (dB)	Net at 3m - Peak (dBμV/m)	Average Factor (dB)	Calculated at 3m (dBμV/m)	Average Limit at 3m (dBμV/m)	Margin (dB)
V	2402.000	99.1	33	29.4	95.5	49	46.5	94.0	-47.5
V	4804.000	46.5	33	34.9	48.4	49	-0.6	54.0	-54.6
V	7206.000	42.8	33	37.9	47.7	49	-1.3	54.0	-55.3
V	9608.000	39.4	33	40.4	46.8	49	-2.2	54.0	-56.2
V	12010.000	41.9	33	40.5	49.4	49	0.4	54.0	-53.6
V	14412.000	43.8	33	40.0	50.8	49	1.8	54.0	-52.2

Polarization	Frequency (MHz)	Reading (dBμV)	Pre-Amp Gain (dB)	Antenna Factor (dB)	Net at 3m - Peak (dBμV/m)	Peak Limit at 3m (dBμV/m)	Margin (dB)
V	2402.000	99.1	33	29.4	95.5	114.0	-18.5
V	4804.000	46.5	33	34.9	48.4	74.0	-25.6
V	7206.000	42.8	33	37.9	47.7	74.0	-26.3
V	9608.000	39.4	33	40.4	46.8	74.0	-27.2
V	12010.000	41.9	33	40.5	49.4	74.0	-24.6
V	14412.000	43.8	33	40.0	50.8	74.0	-23.2

- NOTES:
1. Peak Detector Data unless otherwise stated.
 2. All measurements were made at 3 meters. Harmonic emissions not detected at the 3-meter distances were measured at 0.3-meter and an inverse proportional extrapolation was performed to compare the signal level to the 3-meter limit. No other harmonic emissions than those reported were detected at a test distance of 0.3-meter.
 3. Negative sign in the column shows value below limit.
 4. Horn antenna is used for the emission over 1000MHz.
 5. Emission (the row indicated by **bold italic**) within the restricted band meets the requirement of FCC Part 15 Section 15.205.
 6. Measurement Uncertainty is ±5.3dB at a level of confidence of 95%.

TEST REPORT

Model: Chipper 2X BT

Date of Test: July 13, 2017

Worst-Case Operating Mode: Transmitting (Bluetooth 4.0 BLE)

Table 5
Pursuant to FCC Part 15 Section 15.249 Requirement

Middle Channel

Polarization	Frequency (MHz)	Reading (dBμV)	Pre-Amp Gain (dB)	Antenna Factor (dB)	Net at 3m - Peak (dBμV/m)	Average Factor (dB)	Calculated at 3m (dBμV/m)	Average Limit at 3m (dBμV/m)	Margin (dB)
V	2442.000	97.9	33	29.4	94.3	49	45.3	94.0	-48.7
V	4884.000	46.2	33	34.9	48.1	49	-0.9	54.0	-54.9
V	7326.000	42.7	33	37.9	47.6	49	-1.4	54.0	-55.4
V	9768.000	39.0	33	40.4	46.4	49	-2.6	54.0	-56.6
V	12210.000	41.7	33	40.5	49.2	49	0.2	54.0	-53.8
V	14652.000	45.3	33	38.4	50.7	49	1.7	54.0	-52.3

Polarization	Frequency (MHz)	Reading (dBμV)	Pre-Amp Gain (dB)	Antenna Factor (dB)	Net at 3m - Peak (dBμV/m)	Peak Limit at 3m (dBμV/m)	Margin (dB)
V	2442.000	97.9	33	29.4	94.3	114.0	-19.7
V	4884.000	46.2	33	34.9	48.1	74.0	-25.9
V	7326.000	42.7	33	37.9	47.6	74.0	-26.4
V	9768.000	39.0	33	40.4	46.4	74.0	-27.6
V	12210.000	41.7	33	40.5	49.2	74.0	-24.8
V	14652.000	45.3	33	38.4	50.7	74.0	-23.3

- NOTES:
1. Peak Detector Data unless otherwise stated.
 2. All measurements were made at 3 meters. Harmonic emissions not detected at the 3-meter distances were measured at 0.3-meter and an inverse proportional extrapolation was performed to compare the signal level to the 3-meter limit. No other harmonic emissions than those reported were detected at a test distance of 0.3-meter.
 3. Negative sign in the column shows value below limit.
 4. Horn antenna is used for the emission over 1000MHz.
 5. Emission (the row indicated by **bold italic**) within the restricted band meets the requirement of FCC Part 15 Section 15.205.
 6. Measurement Uncertainty is ±5.3dB at a level of confidence of 95%.

TEST REPORT

Model: Chipper 2X BT

Date of Test: July 13, 2017

Worst-Case Operating Mode: Transmitting (Bluetooth 4.0 BLE)

Table 6
Pursuant to FCC Part 15 Section 15.249 Requirement

Highest Channel

Polarization	Frequency (MHz)	Reading (dBμV)	Pre-Amp Gain (dB)	Antenna Factor (dB)	Net at 3m - Peak (dBμV/m)	Average Factor (dB)	Calculated at 3m (dBμV/m)	Average Limit at 3m (dBμV/m)	Margin (dB)
V	2480.000	97.6	33	29.4	94.0	49	45.0	94.0	-49.0
V	4960.000	46.3	33	34.9	48.2	49	-0.8	54.0	-54.8
V	7440.000	42.7	33	37.9	47.6	49	-1.4	54.0	-55.4
V	9920.000	38.8	33	40.4	46.2	49	-2.8	54.0	-56.8
V	12400.000	41.6	33	40.5	49.1	49	0.1	54.0	-53.9
V	14880.000	45.0	33	38.4	50.4	49	1.4	54.0	-52.6

Polarization	Frequency (MHz)	Reading (dBμV)	Pre-Amp Gain (dB)	Antenna Factor (dB)	Net at 3m - Peak (dBμV/m)	Peak Limit at 3m (dBμV/m)	Margin (dB)
V	2480.000	97.6	33	29.4	94.0	114.0	-20.0
V	4960.000	46.3	33	34.9	48.2	74.0	-25.8
V	7440.000	42.7	33	37.9	47.6	74.0	-26.4
V	9920.000	38.8	33	40.4	46.2	74.0	-27.8
V	12400.000	41.6	33	40.5	49.1	74.0	-24.9
V	14880.000	45.0	33	38.4	50.4	74.0	-23.6

- NOTES:
1. Peak Detector Data unless otherwise stated.
 2. All measurements were made at 3 meters. Harmonic emissions not detected at the 3-meter distances were measured at 0.3-meter and an inverse proportional extrapolation was performed to compare the signal level to the 3-meter limit. No other harmonic emissions than those reported were detected at a test distance of 0.3-meter.
 3. Negative sign in the column shows value below limit.
 4. Horn antenna is used for the emission over 1000MHz.
 5. Emission (the row indicated by **bold italic**) within the restricted band meets the requirement of FCC Part 15 Section 15.205.
 6. Measurement Uncertainty is ±5.3dB at a level of confidence of 95%.

TEST REPORT

Model: Chipper 2X BT

Date of Test: July 13, 2017

Worst-Case Operating Mode: PC charging USB port + simultaneously Transmitting (13.56MHz portion and Bluetooth portion)

Table 7
Pursuant to FCC Part 15 Section 15.209 Requirement

Polarization	Frequency (MHz)	Reading (dBμV)	Pre-amp (dB)	Antenna Factor (dB)	Net at 3m (dBμV/m)	Limit at 3m (dBμV/m)	Margin (dB)
H	40.670	29.4	16	10.0	23.4	40.0	-16.6
H	67.708	27.2	16	8.0	19.2	40.0	-20.8
H	94.868	23.4	16	11.0	18.4	43.5	-25.1
V	112.935	25.4	16	14.0	23.4	43.5	-20.1
V	119.118	27.5	16	14.0	25.5	43.5	-18.0
V	131.608	26.5	16	14.0	24.5	43.5	-19.0
V	311.906	19.2	16	23.0	26.2	46.0	-19.8
V	338.945	19.2	16	24.0	27.2	46.0	-18.8
H	366.105	30.8	16	24.0	38.8	46.0	-7.2
H	461.044	21.0	16	26.0	31.0	46.0	-15.0
V	515.364	20.5	16	27.0	31.5	46.0	-14.5
V	542.402	22.8	16	28.0	34.8	46.0	-11.2
V	569.562	24.5	16	28.0	36.5	46.0	-9.5
V	678.082	22.1	16	29.0	35.1	46.0	-10.9
H	976.478	21.2	16	33.0	38.2	54.0	-15.8

- NOTES:
1. Peak Detector Data unless otherwise stated.
 2. All measurements were made at 3 meters. Harmonic emissions not detected at the 3-meter distances were measured at 0.3-meter and an inverse proportional extrapolation was performed to compare the signal level to the 3-meter limit. No other harmonic emissions than those reported were detected at a test distance of 0.3-meter.
 3. Negative sign in the column shows value below limit.
 4. Horn antenna is used for the emission over 1000MHz.
 5. Emission (the row indicated by **bold italic**) within the restricted band meets the requirement of FCC Part 15 Section 15.205.
 6. Measurement Uncertainty is ±5.3dB at a level of confidence of 95%.

TEST REPORT**4.0 EQUIPMENT PHOTOGRAPHS**

For electronic filing, the photographs are saved with filename: external photos.pdf and internal photos.pdf.

5.0 PRODUCT LABELLING

For electronics filing, the FCC ID label artwork and the label location are saved with filename: label.pdf.

6.0 TECHNICAL SPECIFICATIONS

For electronic filing, the block diagram and schematic of the tested EUT are saved with filename: block.pdf and circuit.pdf respectively.

7.0 INSTRUCTION MANUAL

For electronic filing, a preliminary copy of the Instruction Manual is saved with filename: manual.pdf.

This manual will be provided to the end-user with each unit sold/leased in the United States.

TEST REPORT**8.0 MISCELLANEOUS INFORMATION**

The miscellaneous information includes details of the test procedure and measured bandwidth / calculation of factor such as pulse desensitization and averaging factor (calculation and timing diagram).

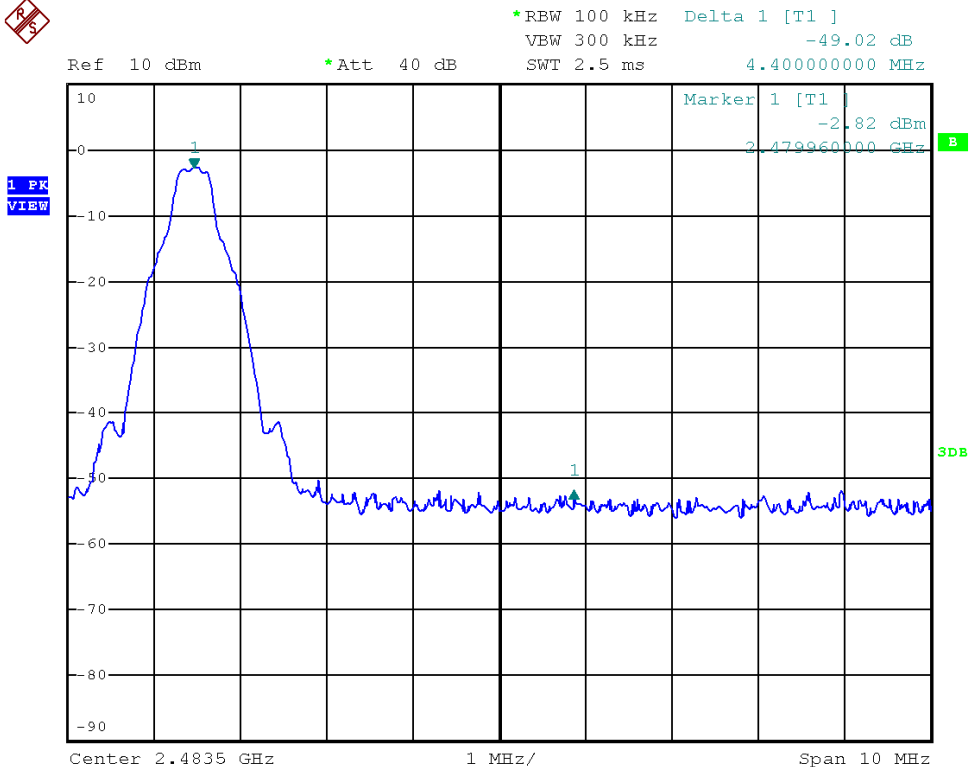
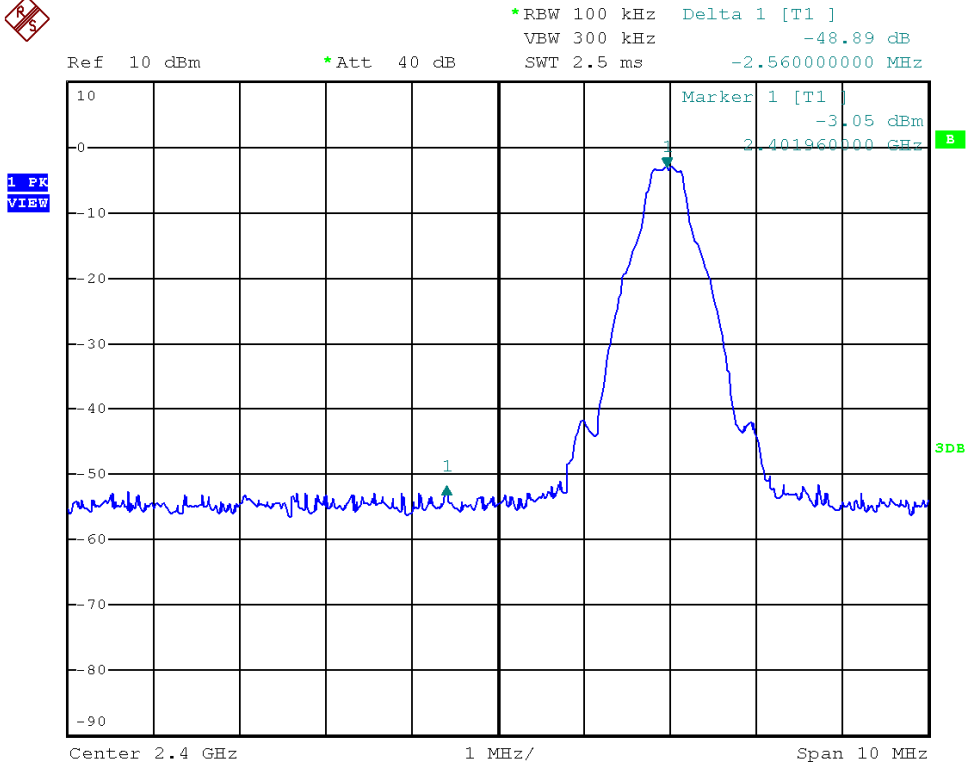
8.1 Radiated Emission on the Bandedge

From the following plots, they show that the fundamental emissions are confined in the specified band (2400MHz to 2483.5MHz). In case of the fundamental emissions are within two standard bandwidths from the bandedge, the delta measurement technique is used for determining bandedge compliance. Standard bandwidth is the bandwidth specified by ANSI C63.10 (2013) for frequency being measured.

Emissions radiated outside of the specified frequency bands, except harmonics, are attenuated by 50dB below the level of the fundamental or to the general radiated emissions limits in Section 15.209, whichever is the lesser attenuation, which meet the requirement of part 15.249(d).

TEST REPORT

Peak Measurement (Bluetooth 2.1)



TEST REPORT

Peak Measurement (Bluetooth 2.1)

Bandedge compliance is determined by applying marker-delta method, i.e. (Bandedge Plot).

Lower bandedge

Peak Resultant field strength = Fundamental emissions (peak value) – delta from the plot

=92.6 dB μ V/m - 48.9 dB

=43.7 dB μ V/m

Average Resultant field strength = Fundamental emissions (average value) – delta from the plot

=68.6 dB μ V/m - 48.9 dB

=19.7 dB μ V/m

Upper bandedge

Peak Resultant field strength = Fundamental emissions (peak value) – delta from the plot

=94.5 dB μ V/m - 49.0 dB

=45.5 dB μ V/m

Average Resultant field strength = Fundamental emissions (average value) – delta from the plot

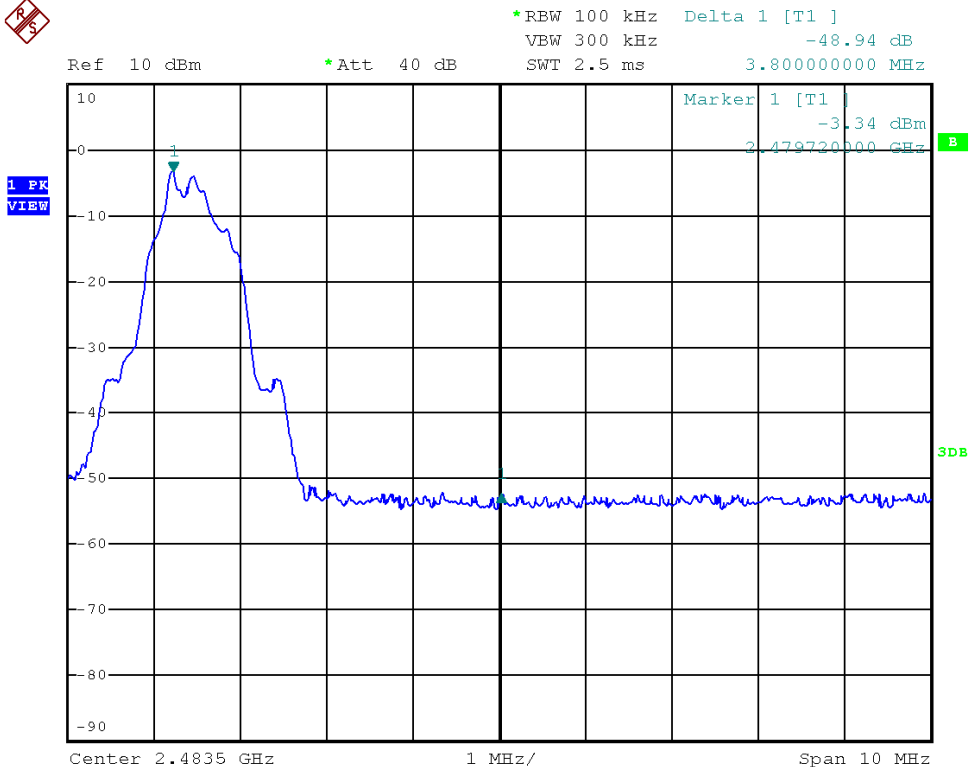
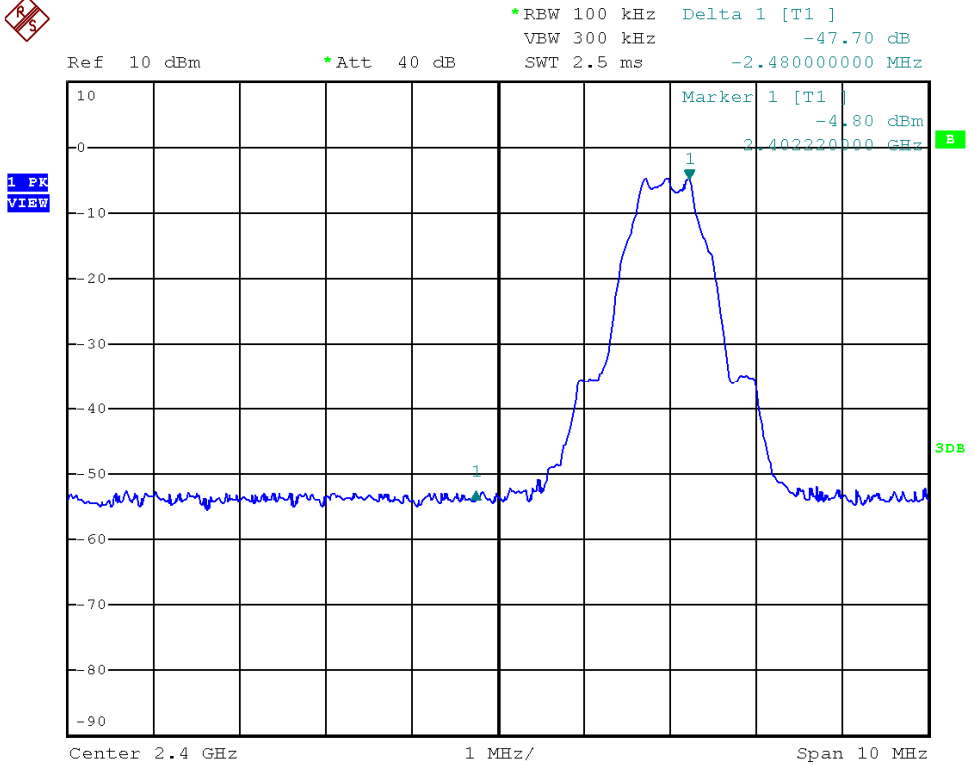
=70.5 dB μ V/m - 49.0 dB

=21.5 dB μ V/m

The resultant field strength meets the general radiated emission limit in Section 15.209, which does not exceed 74 dB μ V/m (Peak Limit) and 54 dB μ V/m (Average Limit).

TEST REPORT

Peak Measurement (Bluetooth 4.0 BLE)



TEST REPORTPeak Measurement (Bluetooth 4.0 BLE)

Bandedge compliance is determined by applying marker-delta method, i.e. (Bandedge Plot).

Lower bandedge

Peak Resultant field strength = Fundamental emissions (peak value) – delta from the plot

=95.5 dB μ V/m - 47.7 dB

=47.8 dB μ V/m

Average Resultant field strength = Fundamental emissions (average value) – delta from the plot

=46.5 dB μ V/m - 47.7 dB

=-1.2 dB μ V/m

Upper bandedge

Peak Resultant field strength = Fundamental emissions (peak value) – delta from the plot

=94.0 dB μ V/m - 48.9 dB

=45.1 dB μ V/m

Average Resultant field strength = Fundamental emissions (average value) – delta from the plot

=45.0 dB μ V/m - 48.9 dB

=-3.9 dB μ V/m

The resultant field strength meets the general radiated emission limit in Section 15.209, which does not exceed 74 dB μ V/m (Peak Limit) and 54 dB μ V/m (Average Limit).

TEST REPORT

8.2 Discussion of Pulse Desensitization

(Bluetooth 2.1)

Pulse desensitivity is not applicable for this device. The effective period (Teff) is approximately 340µs for a digital “1” bit which illustrated on technical specification, with a resolution bandwidth (3dB) of 3MHz, so the pulse desensitivity factor is 0dB.

(Bluetooth 4.0 BLE)

Pulse desensitivity is not applicable for this device. Since the transmitter transmits the RF signal continuously.

8.3 Calculation of Average Factor

(Bluetooth 2.1)

Based on the Bluetooth Specification Version 2.1 + EDR, the transmitter ON time for each timeslot of Bluetooth is 625µs. DH5 has the maximum duty cycle, which consists of 5 continuous Tx slots and 1 Rx slot. Therefore one hopset take (5+1) x 625µs = 3.75ms. For one period for a pseudo-random hopping through at least 20 RF channels in adaptive mode (worse case), it take: 20 x 3.75ms = 75ms.

The dwell time for DH5 is 5 x 625µs = 3.125ms.

For the worst case calculation, there are two transmissions might occur in 100ms. Therefore,

$$\begin{aligned} \text{Duty Cycle (DC)} &= \text{Maximum On time in 100ms}/100\text{ms} \\ &= 3.125\text{ms} \times 2/100\text{ms} \\ &= 0.0625 \end{aligned}$$

$$\begin{aligned} \text{Average Factor (AF) of Bluetooth in dB} &= 20 \log_{10} (0.0625) \\ &= -24 \text{ dB} \end{aligned}$$

(Bluetooth 4.0 BLE)

The duty cycle is simply the on-time divided by the period:

The duration of one cycle = 100ms

Effective period of the cycle = 340µs

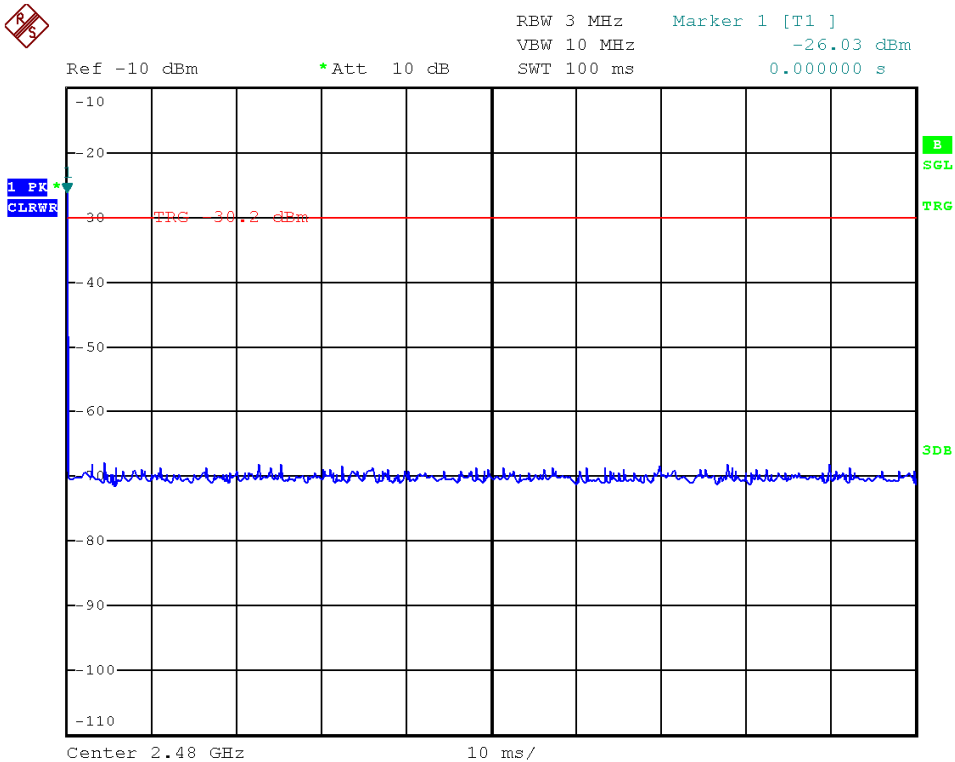
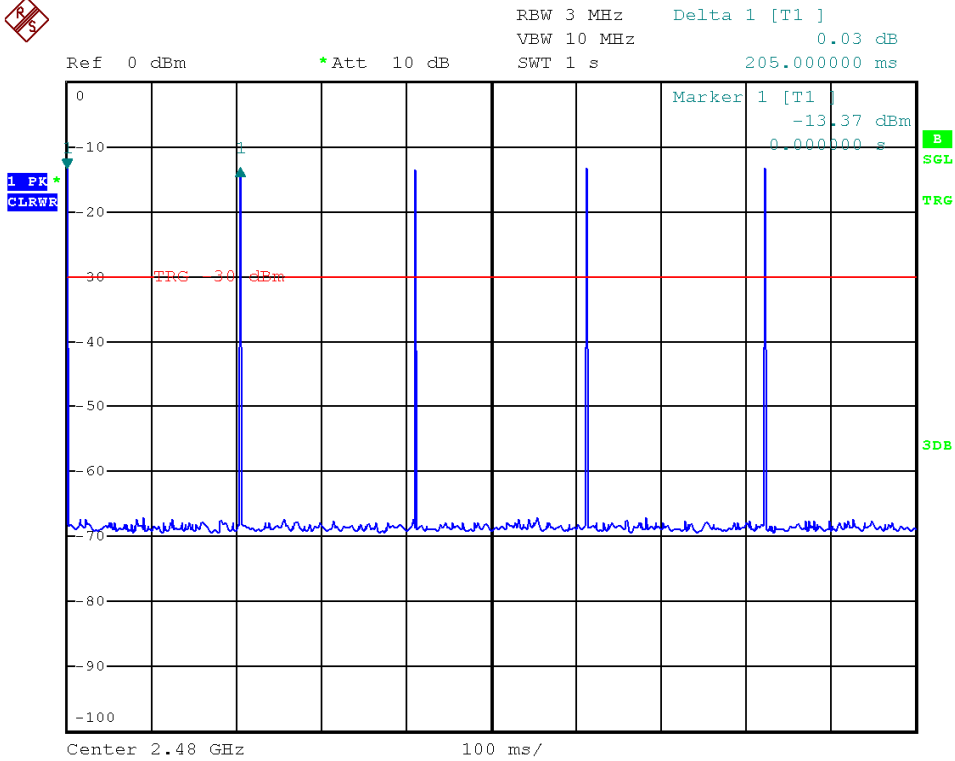
$$\text{DC} = 340\mu\text{s} / 100\text{ms} = 0.0034$$

Therefore, the averaging factor is found by $20\log 0.0034 = -49\text{dB}$.

TEST REPORT

Average Factor (Bluetooth 4.0 BLE)

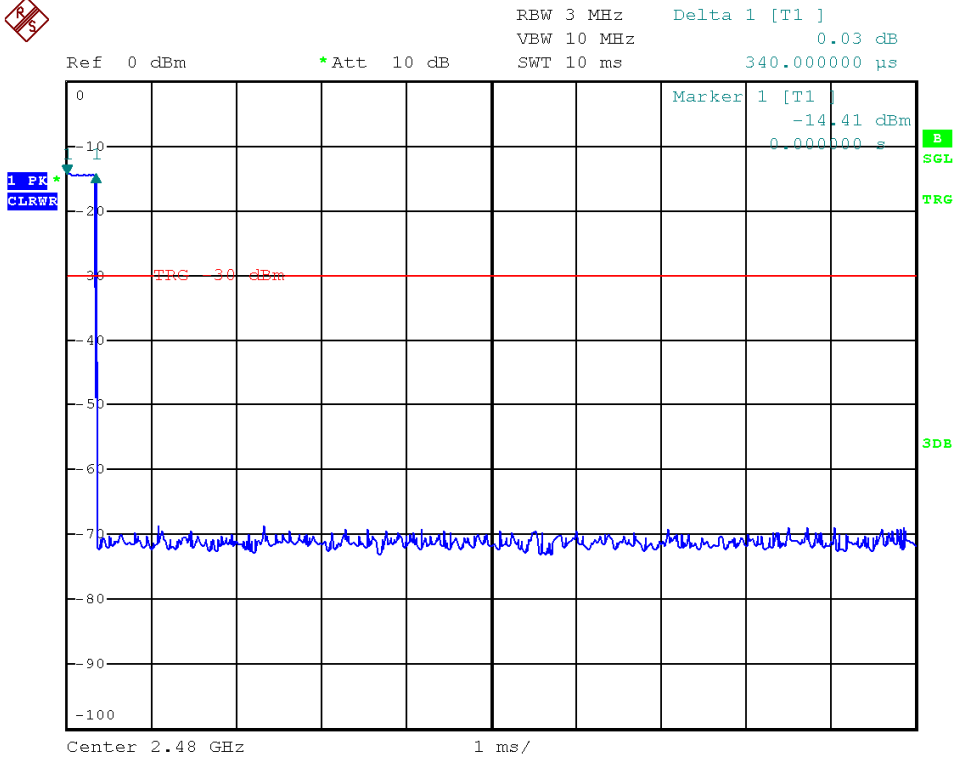
Worse Case: search mode



TEST REPORT

Average Factor (Bluetooth 4.0 BLE)

Worse Case: search mode



TEST REPORT

8.4 Emissions Test Procedures

The following is a description of the test procedure used by Intertek Testing Services Hong Kong Ltd. in the measurements of transmitter operating under the Part 15, Subpart C rules.

The transmitting equipment under test (EUT) is placed on a wooden turntable which is four feet in diameter and approximately 0.8m in height above the ground plane for emission measurement at or below 1GHz and 1.5m in height above the ground plane for emission measurement above 1GHz. During the radiated emissions test, the turntable is rotated and any cables leaving the EUT are manipulated to find the configuration resulting in maximum emissions. The EUT is adjusted through all three orthogonal axis to obtain maximum emission levels. The antenna height and polarization are also varied during the testing to search for maximum signal levels. The height of the antenna is varied from one to four meters.

Detector function for radiated emissions is in peak mode. Average readings, when required, are taken by measuring the duty cycle of the equipment under test and subtracting the corresponding amount in dB from the measured peak readings. A detailed description for the calculation of the average factor can be found in Exhibit 8.3.

The frequency range scanned is from the lowest radio frequency signal generated in the device which is greater than 9 kHz to the tenth harmonic of the highest fundamental frequency or 40 GHz, whichever is lower. For line conducted emissions, the range scanned is 150 kHz to 30 MHz.

TEST REPORT

8.4 Emissions Test Procedures (cont'd)

The EUT is warmed up for 15 minutes prior to the test.

AC power to the unit is varied from 85% to 115% nominal and variation in the fundamental emission field strength is recorded. If battery powered, a new, fully charged battery is used.

Conducted measurements were made as described in ANSI C63.10 (2013).

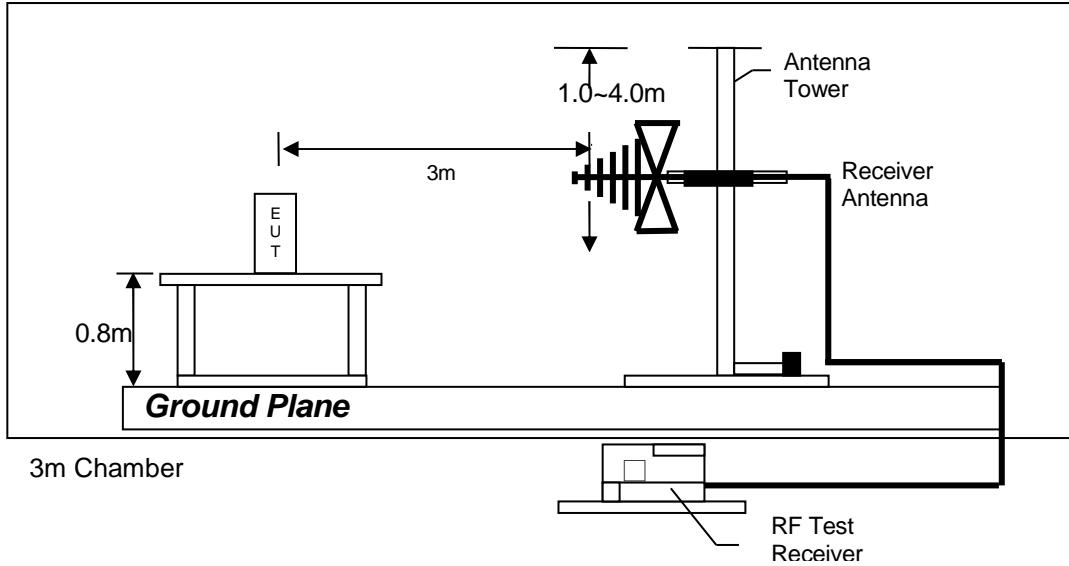
The IF bandwidth used for measurement of radiated signal strength was 100 kHz or greater when frequency is below 1000 MHz. Where pulsed transmissions of short enough pulse duration warrant, a greater bandwidth is selected according to the recommendations of Hewlett Packard Application Note 150-2. A discussion of whether pulse desensitivity is applicable to this unit is included in this report (See Exhibit 8.1). Above 1000 MHz, a resolution bandwidth of 3 MHz is used.

Transmitter measurements are normally conducted at a measurement distance of three meters. However, to assure low enough noise floor in the forbidden bands and above 1 GHz, signals are acquired at a distance of one meter or less. All measurements are extrapolated to three meters using inverse scaling, unless otherwise reported. Measurements taken at a closer distance are so marked.

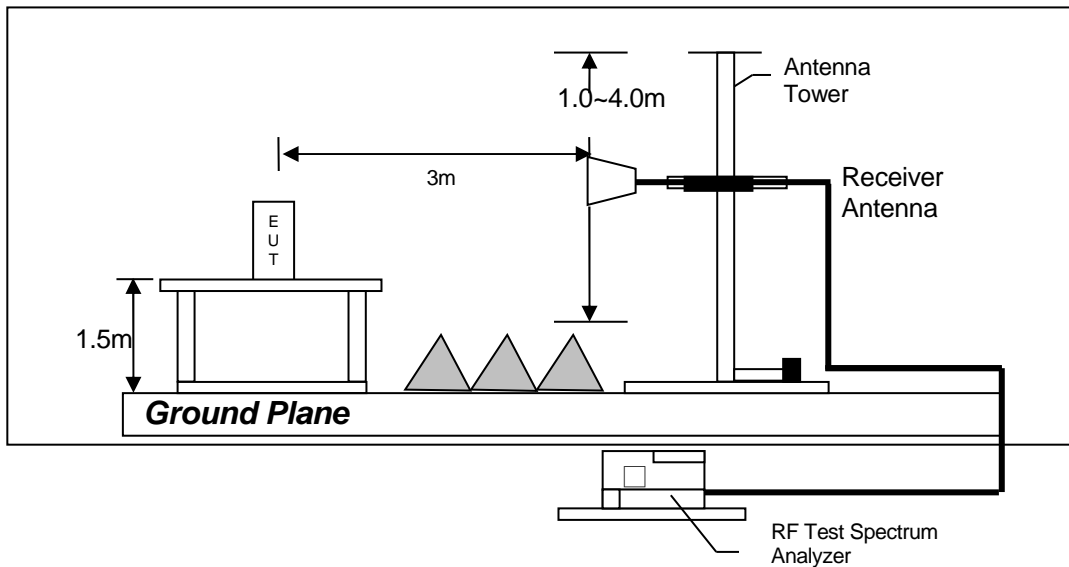
TEST REPORT

8.4.1 Radiated Emission Test Setup

The figure below shows the test setup, which is utilized to make these measurements.



Test setup of radiated emissions up to 1GHz



Test setup of radiated emissions above 1GHz

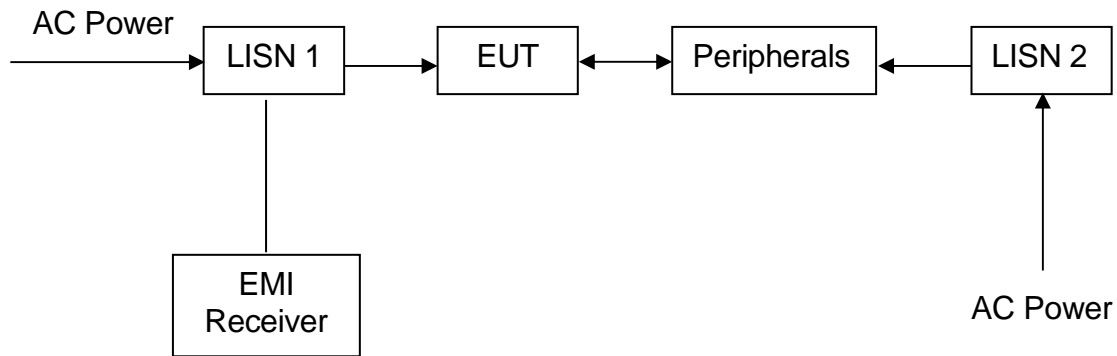
TEST REPORT

8.4.2 Conducted Emission Test Procedures

For tabletop equipment, the EUT along with its peripherals were placed on a 1.0m(W)×1.5m(L) and 0.8m in height wooden table. For floor-standing equipment, the EUT and all cables were insulated, if required, from the ground plane by up to 12 mm of insulating material. The EUT was adjusted to maintain a 0.4 meter space from a vertical reference plane. The EUT was connected to power mains through a line impedance stabilization network (LISN), which provided 50 ohm coupling impedance for measuring instrument and the chassis ground was bounded to the horizontal ground plane of shielded room. The excess power cable between the EUT and the LISN was bundled.

All connecting cables of EUT and peripherals were moved to find the maximum emission.

8.4.3 Conducted Emission Test Setup



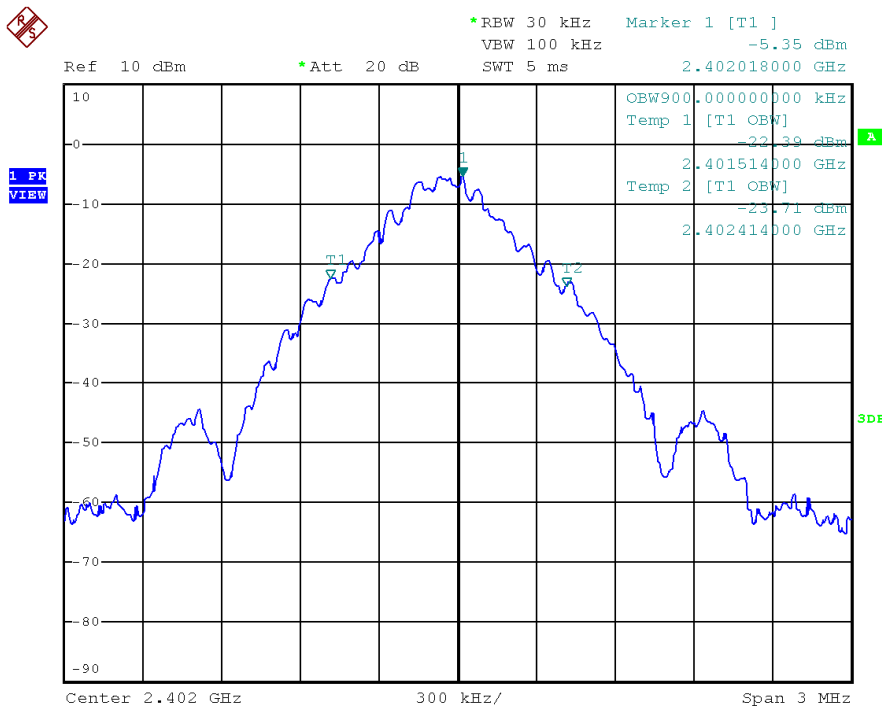
TEST REPORT

8.5 Occupied Bandwidth

Occupied Bandwidth Results: (Bluetooth 2.1)

Bluetooth (MHz)	Occupied Bandwidth (kHz)
Low Channel: 2402	900
Middle Channel: 2442	894
High Channel: 2480	900

The worst case is shown as below

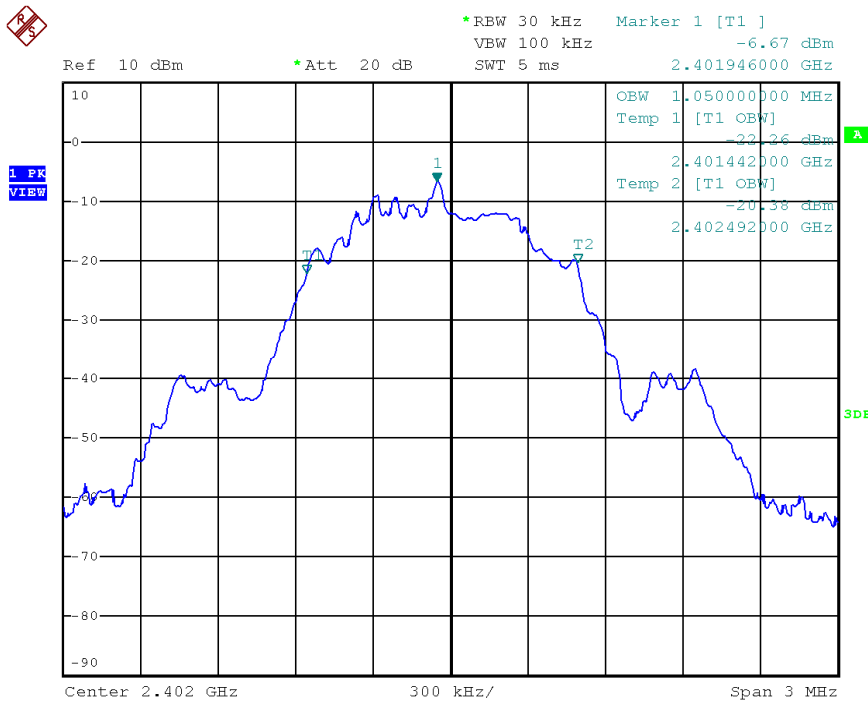


TEST REPORT

Occupied Bandwidth Results: (Bluetooth 4.0 BLE)

Bluetooth (MHz)	Occupied Bandwidth (MHz)
Low Channel: 2402	1.05
Middle Channel: 2442	1.05
High Channel: 2480	1.05

The worst case is shown as below



TEST REPORT

9.0 EQUIPMENT LIST

1) Radiated Emissions Test

EQUIPMENT	EMI Test Receiver (9kHz to 26.5GHz)	BICONICAL ANTENNA	LOG PERIODIC ANTENNA
Registration No.	EW-3156	EW-0954	EW-0446
Manufacturer	ROHDESCHWARZ	EMCO	EMCO
Model No.	ESR26	3104C	3146
Calibration Date	Dec. 06, 2016	Jul. 07, 2016	Jul. 15, 2016
Calibration Due Date	Dec. 06, 2017	Jan. 07, 2018	Jan. 15, 2018

EQUIPMENT	SPECTRUM ANALYZER	Pyramidal Horn Antenna	DOUBLE RIDGED GUIDE ANTENNA
Registration No.	EW-2249	EW-0905	EW-1015
Manufacturer	R&S	EMCO	EMCO
Model No.	FSP30	3160-09	3115
Calibration Date	Dec. 23, 2016	Feb. 12, 2016	Apr. 26, 2016
Calibration Due Date	Nov, 27, 2017	Aug. 12, 2017	Oct. 26, 2017

Equipment	Active Loop H-field (9kHz to 30MHz)	RF Cable 9kHz to 1000MHz	RF Cable (up to 40GHz)
Registration No.	EW-2313	EW-3170	EW-3155
Manufacturer	ELECTROMETRI	N/A	N/A
Model No.	EM-6876	9kHz to 1000MHz	1-40 GHz
Calibration Date	May. 18, 2016	Mar. 20, 2017	Dec. 05, 2016
Calibration Due Date	Nov. 18, 2017	Mar. 20, 2018	Dec. 05, 2017

Equipment	Solid State Low Noise Preamplifier Assembly (1 - 18)GHz	Notch Filter (cutoff frequency 2.4GHz to 2.5GHz)	RF Pre-amplifier (9kHz to 40GHz)
Registration No.	EW-3229	EW-3155	EW-3006
Manufacturer	BONN ELEKTRO	MICROTRONICS	SCHWARZBECK
Model No.	BLMA 0118-5G	BRM50701-02	BBV 9744
Calibration Date	Oct. 24, 2016	May. 26, 2017	Mar. 23, 2017
Calibration Due Date	Oct. 24, 2017	May. 26, 2018	Mar. 23, 2018

TEST REPORT

2) Conducted Emissions Test

EQUIPMENT	EMI TEST RECEIVER	LISN	RF Cable 9kHz to 1000MHz
Registration No.	EW-2251	EW-2874	EW-3170
Manufacturer	R&S	R&S	N/A
Model No.	ESCI	ENV-216	9kHz to 1000MHz
Calibration Date	Mar. 03, 2017	Mar. 16, 2017	Mar. 20, 2017
Calibration Due Date	Mar. 03, 2018	Mar. 16, 2018	Mar. 20, 2018

TEST REPORT

3) Bandedge/Bandwidth Measurement

EQUIPMENT	SPECTRUM ANALYZER	RF Cable (up to 40GHz) 1.5m length
Registration No.	EW-2329	EW-3104
Manufacturer	R&S	N/A
Model No.	FSP3	SMA-M to SMA-M
Calibration Date	Aug. 26, 2016	Feb. 28, 2017
Calibration Due Date	Aug. 26, 2017	Feb. 28, 2018

END OF TEST REPORT