

KMR-XM500 KMR-M300BT

DIGITAL MEDIA RECEIVER

INSTRUCTION MANUAL

RÉCEPTEUR MÉDIA NUMÉRIQUE

MODE D'EMPLOI

RECEPTOR DE MEDIOS DIGITALES

MANUAL DE INSTRUCCIONES

JVCKENWOOD Corporation

- Updated information (the latest Instruction Manual, etc.) is available from [<https://www.kenwood.com/cs/ce/>](https://www.kenwood.com/cs/ce/).
- Des informations actualisées (le dernier mode d'emploi, etc.) sont disponibles sur le site [<https://www.kenwood.com/cs/ce/>](https://www.kenwood.com/cs/ce/).
- La información actualizada (el Manual de instrucciones más actualizado, etc.) está disponible desde [<https://www.kenwood.com/cs/ce/>](https://www.kenwood.com/cs/ce/).



Contents

Before use	2
How to read this manual.....	2
Precautions	2
Getting Started.....	3
Set the general settings	3
Basics	4
Common operations.....	4
Select a source.....	4
USB	5
Preparation.....	5
Playback operations.....	5
Function settings.....	5
iPhone	6
Preparation.....	6
Playback operations.....	6
Function settings.....	6
Radio	7
Radio basic operations.....	7
Function settings.....	7
SiriusXM®	8
Activating subscription.....	8
NOTE.....	8
SiriusXM® basic operations.....	8
Function settings.....	9
Parental Control.....	9
Reset to the default settings.....	10
External Components.....	10
Using external audio players.....	10
Camera.....	10
Bluetooth® smartphone.....	11
Register your smartphone to the unit.....	11
Playing Bluetooth Audio Device.....	11
Function settings.....	11
Setup.....	12
Settings.....	12
Remote control.....	13
Functions of the remote control buttons.....	13
Installation.....	14
Before installation.....	14
Installing the unit.....	15
About this Unit.....	17
Maintenance	17
More information.....	17
Troubleshooting	17
Specifications	19
Copyrights	20

Before use

How to read this manual

- The panels shown in this guide are examples used to provide clear explanations of the operations. For this reason, they may be different from the actual panels.
- In operation procedures, bracket shape indicates the item you should control.
[]: indicates the selected items or menu.
< >: indicates the name of panel buttons.



This symbol on the product means there are important operating and maintenance instructions in this manual. Be sure to carefully read instructions in this manual.

Precautions

⚠ WARNING

❑ To prevent injury or fire, take the following precautions:

- To prevent a short circuit, never put or leave any metallic objects (such as coins or metal tools) inside the unit.
- Do not watch or fix your eyes on the unit's display when you are driving for any extended period.
- If you experience problems during installation, consult your KENWOOD dealer.

❑ Precautions on using this unit

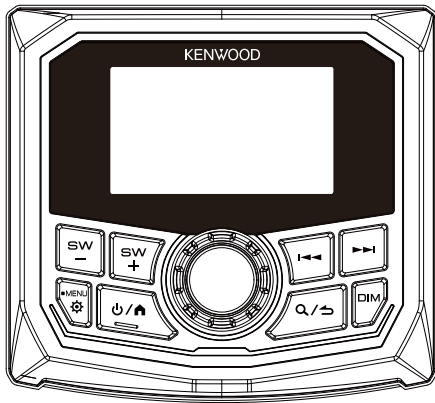
- When you purchase optional accessories, check with your KENWOOD dealer to make sure that they work with your model and in your area.
- You can select a language to display menus, audio file tags, etc. See **Set the general settings(P.3)**
- The Tuner Data System or Tuner Broadcast Data System feature won't work where the service is not supported by any broadcasting station.

❑ Protecting the monitor

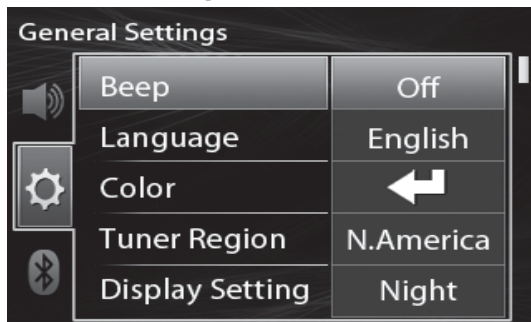
- To protect the monitor from damage, do not operate the monitor using a ballpoint pen or similar tool with the sharp tip.

Getting Started

Set the general settings



- 1 Press **<P>/<H>** to turn on the power.
- 2 Press and hold **<G>** to display the settings.



- 3 Press **<L<<<>/<>>>>** to select **[G]** (General Settings).
- 4 Turn the volume knob to select an item (see the following table), then press the knob.
- 5 Repeat step 4 until the desired item is selected/activated or follow the instructions stated on the selected item.
- 6 Press **<Q/>**.

Beep

Turn the key touch tone on or off. "ON" (Default), "OFF"

Language

Select the language used for the control screen and setting items. Default is "English".

Color

You can set the button illumination color, select the **USER** **←**. "LIGHTBLUE" (KMR-XM500 Default) / "USER" (KMR-M300BT Default).

The Preset color as below:

Variable, RED1,RED2,RED3,PURPLE1, PURPLE2,PURPLE3,PURPLE4,BLUE1, BLUE2,BLUE3,SKYBLUE1,SKYBLUE2, LIGHTBLUE,AQUA1,AQUA2,GREEN1, GREEN2,GREEN3,YELLOW GREEN1, YELLOW GREEN2,YELLOW,ORANGE1, ORANGE2,ORANGE RED, USER



To make your own color, select **USER** **←**. The color you have made will be stored in **USER** **←**.

- 1 Press the volume knob to enter the detailed color adjustment.
- 2 Press the volume knob select the color (**[R]** /**[G]** /**[B]**) to adjust.
- 3 Turn the volume knob to adjust the level (**[0]** to **[9]**), then press the knob

Tuner Region

N.America (Default): For North America, AM/FM intervals: 10 kHz/200 kHz

S.America: For Central/South America, AM/FM intervals: 10 kHz/50 kHz

Eur/Rus/Asia: For Europe, Russia and Asia, AM/FM intervals: 9 kHz/50 kHz.

Japan: For Japan, AM/FM intervals: 9 kHz/100 kHz.

M.East: For Middle East, AM/FM intervals: 9 kHz/50 kHz.

Aust.: For Australia, AM/FM intervals: 9 kHz/50 kHz.

Display Setting

You can change the display design. "Night" (Default), "Auto", "Day"

AUX Input

SiriusXM (Default): Set to **[SiriusXM]** when connecting the SiriusXM® Satellite Radio.

AUX: Set to **[AUX]** when connecting the Portable audio player.

Source Gain

Finely adjust the volume of the current source to minimize the difference in volume between different sources.

"-3dB" – "0dB" (Default) – "3dB"

Global Input: "-18dB" – "0dB" (Default)

Int. Amplifier

Selecting "OFF" turns off the built-in amplifier. Turning off the built-in amplifier improves the quality of the sound from Preout. "ON" (Default), "OFF"

Voltage Gauge

Display the supplied voltage.

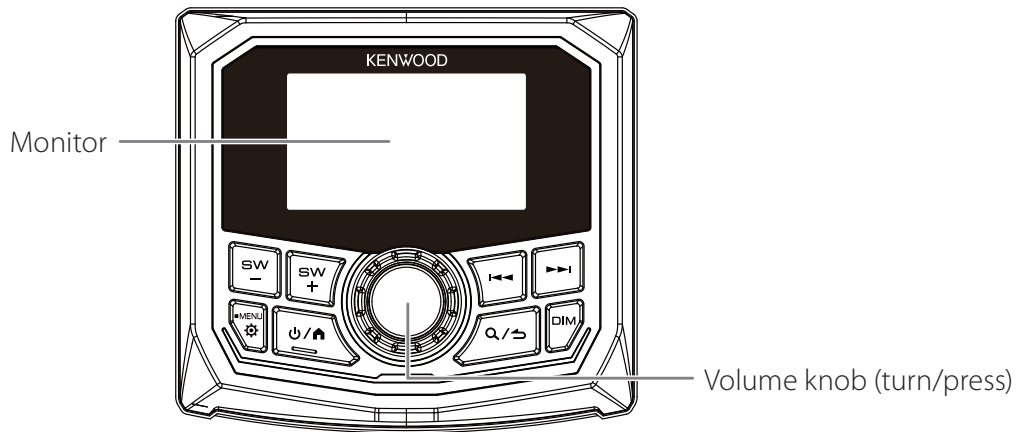
Information

To view all detailed information of the system

Factory Reset

Select **[Audio]**, **[System]**, or **[SiriusXM]** and then select **[Yes]** to set all the settings to the initial default settings.

Basics



Common operations

Turning on the power

1 Press <⏻/🏠>.

Turning off the power

1 Press and hold <⏻/🏠>.

Adjusting the volume

1 Turn the volume knob.

Mutes the sound or Play/pause

1 Press the volume knob.

- Radio/AUX
 - appears when the mute function is active.
 - To restore the sound, press again, or adjust the volume.
- USB/iPhone/SiriusXM
 - Plays or pauses.

Select dimmer mode

1 Press the <DIM> button.

Dimmer, off

Select a source

1 Press <⏻/🏠> to display the HOME screen.
HOME screen appears.

2 Turn the volume knob to select the source, then press the knob.



Switches to the FM radio broadcast. **(P.7)**



Switches to the AM radio broadcast. **(P.7)**



Switches to the WB (Weather Band) radio broadcast. **(P.7)**



[USB]
Plays files on a USB device. **(P.5)**



[iPhone]
Plays an iPhone. **(P.6)**
When iPhone is connected.



Plays a Bluetooth audio player. **(P.11)**



[SiriusXM]
Switches to the SiriusXM® satellite radio broadcast. **(P.8)**



[AUX]
Switches to an external component connected to the AUX input terminal. **(P.10)**



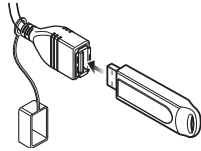
Displays the view camera screen. **(P.10)**

USB

Preparation

Connecting a USB device

- 1 Connect the USB device with the USB cable (sold separately).



- USB maximum power supply current : DC 5 V = 1.5A

- 2 Press <⏻/🏠> to display the HOME screen.
- 3 Turn the volume knob to select [USB], then press the knob.

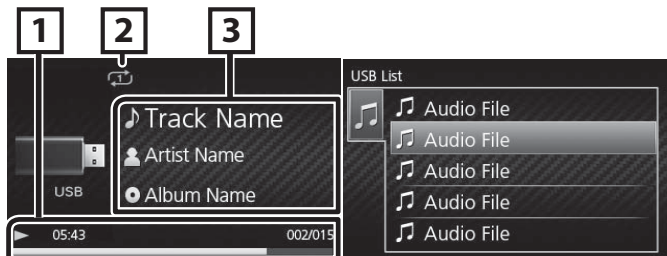
To disconnect the USB device:

- 1 Press <⏻/🏠> to display the HOME screen.
- 2 Turn the volume knob to select other than [USB], then press the knob.
- 3 Detach the USB device.

NOTE

- For playable file types and other information, see (P.17)

Playback operations



Source screen

List screen

To	Do this
Play/pause	Press the volume knob.
Select a file	Press <⏮>/<⏭> repeatedly.
Fast-backward/ Fast-forward	Press and hold <⏮>/<⏭>.
Previous/next folder	Press and hold <SW->/<SW+>.

Source screen

- 1 Playback status/Playing time
Play time bar : For confirmation of current playing position
- 2 : Repeat playback mode indicator
 : Random playback mode indicator
- 3 Displays the information of the current file.

Selecting a track in a list (Searches file)

- 1 Press <Q/↵> to display the List screen.
- 2 Turn the volume knob to select the desired folder, then press the knob.
 - When you select a folder its contents are displayed.
 - To return to the previous layer, press <Q/↵>.
- 3 Turn the volume knob to select the desired item, then press the knob.

Function settings

- 1 Press <⚙> to display the function menu.
- 2 Turn the volume knob to select the item to set (see the table below), then press the knob to make a selection.
- 3 Press <Q/↵>.

Browsing See *Selecting a track in a list (P.5)*.

Repeat All: Repeats all files. ()
One: Repeats the current file. ()
Folder: Repeats all files in the current folder. ()

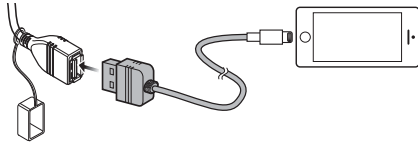
Random Off: Normal playback.
Folder: Randomly plays all files in the current folder. ()

iPhone

Preparation

Connecting iPhone

- 1 Connect the iPhone using the Lightning-USB cable (sold separately).



- USB maximum power supply current : DC 5 V = 1.5 A

- 2 Press **<⏻/🏠>** to display the HOME screen.
- 3 Turn the volume knob to select [iPhone], then press the knob.

To disconnect the iPhone

- 1 Press **<⏻/🏠>** to display the HOME screen.
- 2 Turn the volume knob to select other than [iPhone], then press the knob.
- 3 Detach the iPhone.

Connectable iPhone

The following models can be connected to this unit.

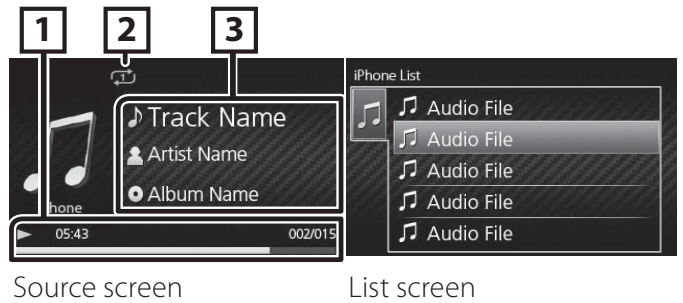
Made for

- | | | |
|---------------------|------------------------------|------------------|
| • iPhone 14 Pro Max | • iPhone 12 Pro | • iPhone XR |
| • iPhone 14 Pro | • iPhone 12 | • iPhone X |
| • iPhone 14 Plus | • iPhone 12 mini | • iPhone 8 Plus |
| • iPhone 14 | • iPhone SE (2nd generation) | • iPhone 8 |
| • iPhone 13 Pro Max | • iPhone 11 Pro | • iPhone 7 Plus |
| • iPhone 13 Pro | • iPhone 11 Pro Max | • iPhone 7 |
| • iPhone 13 | • iPhone 11 | • iPhone SE |
| • iPhone 13 mini | • iPhone XS Max | • iPhone 6s Plus |
| • iPhone 12 Pro Max | • iPhone XS | • iPhone 6 Plus |
| | | • iPhone 6 |

NOTE

- If you start playback after connecting the iPhone, the music that has been played by the iPhone is played first.

Playback operations



Source screen

List screen

To	Do this
Play/pause	Press the volume knob.
Select a file	Press <⏮>/<⏭> repeatedly.
Fast-backward/ Fast-forward	Press and hold <⏮>/<⏭> .

Source screen

- 1 Playback status/Playing time/File number
Play time bar : For confirmation of current playing position
- 2 : Repeat playback mode indicator
 : Random playback mode indicator
- 3 Displays the information of the current file.

Selecting a content in a list

- 1 Press **<Q/🏠>** to display the List screen.
- 2 Turn the volume knob to select category, then press the knob.
 - To return to the previous layer, press **<Q/🏠>**.
- 3 Turn the volume knob to select the desired item, then press the knob.

Function settings

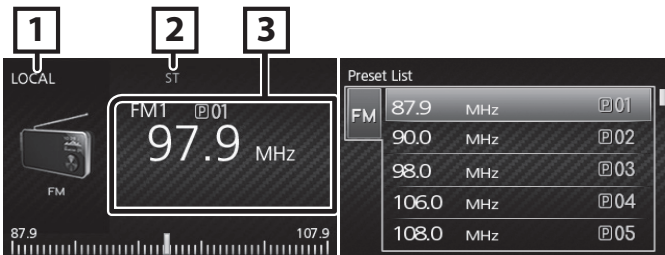
- 1 Press **<⚙>** to display the function menu.
- 2 Turn the volume knob to select the item to set (see the table below), then press the knob to make a selection.
- 3 Press **<Q/🏠>**.

Browsing	See Selecting a content in a list (P.6) .
Repeat	All: Repeats all files. () One: Repeats the current file. () Off: Repeat off.
Random	Off: Normal playback. All: Functions the same as "Shuffle Songs". ()

Radio

Radio basic operations

- 1 Press <⏻/🏠> to display the HOME screen.
- 2 Turn the volume knob to select [FM], [AM], or [WB], then press the knob.
- 3 Press <⏪>/<⏩> to search for a station automatically.
"Auto Seek" appears.
(or)
Press and hold <⏪>/<⏩> repeatedly to search for a station manually.
"Manual Seek" appears.



Source screen

List screen

NOTE

- The **ST** indicator lights up when receiving an FM stereo broadcast with sufficient signal strength.
- To store stations, perform [Add Presets] or [Auto Store].
- To select a stored station: Press and hold <SW-> / <SW+>.

Source screen

- 1 LOCAL indicator
- 2 ST (Stereo) indicator
- 3 Displays the information of the current station: PS name, Frequency, PTY Genre, Indicator Items

Select a stored station of the current band

You can preset 6 stations for the current band (FM1/FM2/FM3/AM1/AM2/WB).

- 1 Press <Q/↵> to display the List screen.
- 2 Turn the volume knob to select a preset number, then press the knob.

NOTE

- To exit, press <Q/↵>.

Function settings

- 1 Press <⚙> to display the function menu.
- 2 Turn the volume knob to select the item to set (see the table below), then press the knob to make a selection.
- 3 Press <Q/↵>.

Add Presets	Stores a station manually to the current band. While listening to a station you want to store, turn the volume knob to select a preset number, then press the knob.
Remove Presets	Remove stored a station to the current band. Turn the volume knob to select a preset number, then press the knob.
FM *1	Select the preset band (FM1/FM2/FM3).
AM *2	Select the preset band (AM1/AM2).
Auto Store *1*2	Automatically searches and stores the 6 stations with the strongest signals for the selected band. • "Auto Store" appears.
Local *1*2	Tunes in only to the stations with sufficient signal strength. (LOCAL indicator lights up.) "ON", "OFF" (Default)
RBDS *1	ON (Default): Activates FM Radio Broadcast Data System features. OFF: Deactivates the function.

*1 FM only

*2 AM only

Only SiriusXM® brings you more of what you love to listen to, all in one place. Get over 140 channels, including commercial-free music plus the best sports, news, talk, comedy and entertainment. Welcome to the world of satellite radio. A SiriusXM Connect Radio and Subscription are required. For more information, visit www.siriusxm.com.

Activating subscription

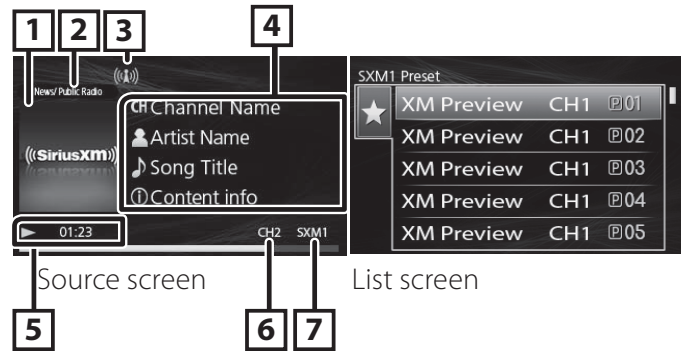
- Check your Radio ID.
The SiriusXM Satellite Radio ID is required for activation and can be found by tuning in Channel 0 as well as on the label found on the SiriusXM Connect radio and its package. The Radio ID does not include the letters I, O, S or F.
- Activate the SiriusXM Connect Radio using either one of the two methods below:
 - For users in U.S.A.
Online: Visit www.siriusxm.com/activatenow
Phone: Call SiriusXM Listener Care at 1-866-635-2349
 - For users in Canada:
Online: Visit www.siriusxm.ca/activate
Phone: Call SiriusXM Customer Care at 1-888-539-7474

NOTE

- To use SiriusXM® Satellite Radio, the optional accessory is necessary. "Supplied accessories for installation" (P.14)
- To select the SiriusXM source, it is necessary to set "AUX Input" to "SiriusXM" in [General Settings]. (P.3).

SiriusXM® basic operations

- 1 Press **<⏻/🏠>** to display the HOME screen.
- 2 Turn the volume knob to select [SiriusXM], then press the knob.
- 3 Press **<⚙️>** to display the function menu.
- 4 Turn the volume knob to select [CATEGORY], then press the knob.
- 5 Turn the volume knob to select a category, then press the knob.
- 6 Turn the volume knob to select a channel, then press the knob.
- 7 Press **<⏮️/⏭️>** to search for a channel info.
 - Pressing and holding **<⏮️/⏭️>** changes the channel rapidly.



NOTE

- To select a stored station: Press **<Q/↵>**.

Source screen

- 1 Album Art
- 2 Category Name
- 3 Signal Strength indication
- 4 Displays the information of the current channel: Channel name, Artist name, Song title, Content Info
- 5 Replay Playback
- 6 Channel Number
- 7 SiriusXM Band

Select a stored channel of the current band

You can preset 6 channels for the current band (SXM1/SXM2/SXM3).

- 1 Press **<Q/↵>** to display the List screen.
- 2 Turn the volume knob to select a preset number, then press the knob.

NOTE

- To exit, press **<Q/↵>**.

Direct Access Tuning

You can tune in a channel directly.

- 1 Press **<⚙️>** to display the function menu.
- 2 Turn the volume knob to select [Direct Tuning], then press the knob.
- 3 Turn the volume knob to select the entry position, then press the knob.
- 4 Turn the volume knob to select a number, then press the knob.
- 5 Repeat step 3 to 4 until the channel number is completed.

Replay

1 Press the volume knob.

To	Do this
Play/pause	Press the volume knob.
Select a file	Press <◀◀◀>/<▶▶▶> repeatedly.
Fast-backward/ Fast-forward	Press and hold <◀◀◀>/<▶▶▶>.

To return to live music/content

- 1 Press <⚙> to display the function menu.
- 2 Turn the volume knob to select [Jump to Live], then press the knob.

Function settings

- 1 Press <⚙> to display the function menu.
- 2 Turn the volume knob to select the item to set (see the table below), then press the knob to make a selection.
- 3 Press <Q/↵>.

SXM	Select the preset band (SXM1/SXM2/SXM3).
Add Presets	Stores a channel manually to the current band. While listening to a channel you want to store, turn the volume knob to select a preset number, then press the knob.
Remove Presets	Remove stored a channel to the current band. Turn the volume knob to select a preset number, then press the knob.
Channel	Displays a complete listing of channels. • To switch the information on the list (channel name/artist name/song title/content information/ category), press <◀◀◀>/<▶▶▶> .
Category	You can specify the desired category and select a channel. 1) Select a category. 2) Select a channel.
Direct Tuning	Display the direcchannel search screen. (P.8)
Parental Contr.	See Parental Control (P.9) .

Parental Control

Parental Control is a feature that provides the user with the ability to prevent unauthorized access to mature content and user selected channels.

Activating parental control

- 1 Press <⚙> to display the function menu.
- 2 Turn the volume knob to select [Parental Contr.], then press the knob.
- 3 Enter the initial parental code ("1111")
 - 1) Turn the volume knob to select a number, then press the knob.
 - 2) Repeat step 1 until the parental code is completed.


Parental Lock channel selection

- 1 Press <⚙> to display the function menu.
- 2 Turn the volume knob to select [Parental Contr.], then press the knob.
- 3 Enter the initial parental code ("1111")
- 4 Turn the volume knob to select [Lock Channels], then press the knob.
- 5 Enter the parental code.
 - 1) Turn the volume knob to select a number, then press the knob.
 - 2) Repeat step 1 until the parental code is completed.
- 6 Turn the volume knob to select a channel you want to lock, then press the knob.
"🔒" appears.
- 7 Press <Q/↵>.

Changing the parental code

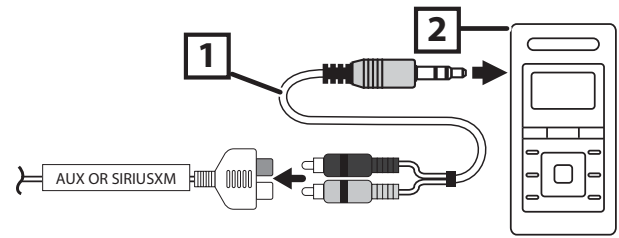
- 1 Press <⚙> to display the function menu.
- 2 Turn the volume knob to select [Parental Contr.], then press the knob.
- 3 Enter the initial parental code ("1111")
- 4 Turn the volume knob to select [Change Code], then press the knob.
- 5 Enter the old parental code.
 - 1) Turn the volume knob to select a number, then press the knob.
 - 2) Repeat step 1 until the parental code is completed.
- 6 Enter a new four-digit code.
- 7 Repeat step 6 above to confirm the new code.

Reset to the default settings

- 1 Press and hold to display the settings.
- 2 Press to select [] (General Settings).
- 3 Turn the volume knob to select [Factory Reset], then press the knob.
- 4 Turn the volume knob to select [SiriusXM], then press the knob.
- 5 Turn the volume knob to select [Yes], then press the knob.

External Components

Using external audio players



- 1 3.5 mm stereo mini plug to RCA plug (Sold separately)
- 2 Portable audio player (Sold separately)

Starting playback

- 1 Connect an external component to the AUX input terminal.
- 2 Press to display the HOME screen.
- 3 Turn the volume knob to select [AUX], then press the knob.
- 4 Turn on the connected component and start playing the source.

NOTE

- To select the AUX source, it is necessary to set "AUX Input" to "AUX" in [General Settings]. (P.3).

Camera

A reverse trigger is provided to activate the camera when putting the vessel in reverse or you may select the camera from the source menu.

Displaying the picture from the camera

The camera screen is displayed when you shift the gear to the reverse (R) position.



To display the picture from the camera manually

- 1 Press to display the HOME screen.
- 2 Turn the volume knob to select [Camera], then press the knob.

Bluetooth® smartphone

About the Bluetooth smartphone and Bluetooth audio player

This unit conforms to the following Bluetooth specifications:

Version

Bluetooth 5.0

Profile

Audio player:

A2DP (Advanced Audio Distribution Profile)

AVRCP (V1.5) (Audio/Video Remote Control Profile)

Sound codec

SBC

AAC

Register your smartphone to the unit

You can use your Bluetooth smartphone when paired to this unit.

- You can pair the device and the unit using SSP (Secure Simple Pairing) which only requires confirmation.
- One device can be connected at a time.
- When you register a new Bluetooth device, disconnect the Bluetooth device currently connected and then register the new device.

1 Turn on the Bluetooth function on your smartphone.

2 Search the unit ("KMR-M300BT" / "KMR-XM500") from your smartphone.

If a PIN code is required, enter the PIN code ("0000").

Disconnecting the device

- Turn off the Bluetooth function from your smartphone.
- Turn off the ignition switch.

Playing Bluetooth Audio Device

1 Press <Q/↵> to display the HOME screen.

2 Turn the volume knob to select [Bluetooth Audio], then press the knob.



Source screen

List screen

To	Do this
Play/pause	Press the volume knob.
Select a file	Press <◀◀◀>/<▶▶▶> repeatedly.
Fast-backward/ Fast-forward	Press and hold <◀◀◀>/<▶▶▶>.

NOTE

- Operations and display indications may differ according to their availability on the connected device.

Source screen

- 1 Playback status/Playing time/File number
Play time bar : For confirmation of current playing position
- 2 : Repeat playback mode indicator
 : Random playback mode indicator
- 3 Displays the information of the current file.

Selecting a content in a list

1 Press <Q/↵> to display the List screen.

2 Turn the volume knob to select an item, then press the knob.

- To return to the previous layer, press <Q/↵>.

Function settings

1 Press <⚙> to display the function menu.

2 Turn the volume knob to select the item to set (see the table below), then press the knob to make a selection.

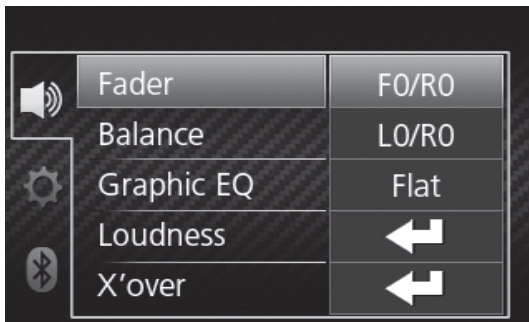
3 Press <Q/↵>.


Browsing	See Selecting a content in a list (P.11) .
Repeat	All: Repeats all files. () One: Repeats the current file. () Off: Repeat off.
Random	Off: Normal playback. All: Randomly plays all files. ()

Setup





Settings

- 1 Press and hold  to display the settings.
- 2 Press / to select the category.



- 3 Turn the volume knob to select an item (see the following table), then press the knob.
- 4 Repeat step 3 until the desired item is selected/activated or follow the instructions stated on the selected item.
- 5 Press .

Audio Settings

Fader	F12 — R12 (F0/R0): Adjusts the front and rear speaker output balance.
Balance	L12 — R12 (L0/R0): Adjusts the left and right speaker output balance.
Graphic Equalizer	Selects a preset equalizer suitable to the music genre. Flat / Hard Rock / Classical / Pop / Dance / Electronic / Hip Hop / User Select [User] to use the settings made 1) Press the volume knob to select the frequency. 2) Turn the volume knob to adjust the level. 3) Press  .
Loudness	Sets the amounts of boost of low and high tones. "ON", "OFF" (Default)
X'over	You can set the crossover frequency of speakers. 1) Press  /  to select the speaker. 2) Press the volume knob to select the item. 3) Turn the volume knob to adjust the value. 4) Press  .

General Settings (P.3)

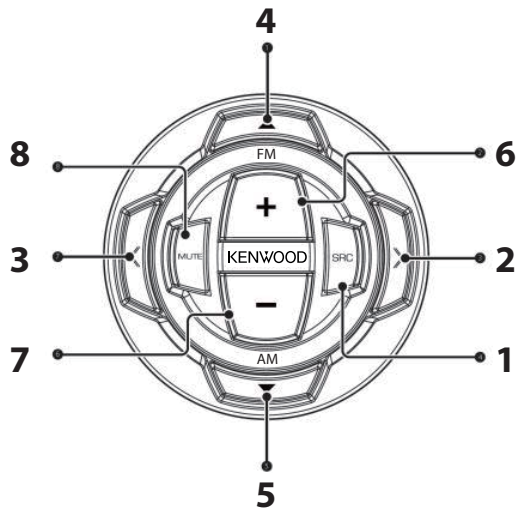
Bluetooth Settings





Discoverable	Enable (Default)/Disable: Set whether to pair or not.
Device Name	The Bluetooth device name of this unit is displayed.

Remote control

This unit can be operated using the remote control. The wired remote control KCA-RC35MR (optional accessory) can be used.

Functions of the remote control buttons



1	SRC	Switches to the source to be played. (excluding Camera)
2/3	 	Selects the track or file to be played. During radio source, switches to broadcast stations received by the unit. During SiriusXM source, search for a channel.
4/5	 	During radio/SiriusXM source, selects preset station.
6/7	VOL + -	Adjusts the volume.
8	MUTE	Press mutes/restores the sound.
USB/iPhone/Bluetooth Audio Press and hold plays or pauses.		
SiriusXM Press and hold Replay mode.		

Installation

Before installation

Before installation of this unit, please note the following precautions.

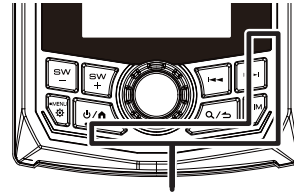
▲WARNINGS

- If you connect the ignition wire (red) to the negative ground point, you may cause a short circuit, that in turn may start a fire. Always connect those wires to the power source running through the fuse box.
- Do not cut out the fuse from the ignition wire (red). The power supply must be connected to the wires via the fuse.

NOTE

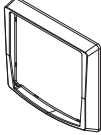
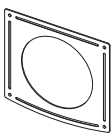
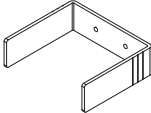



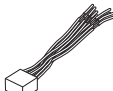

- Mounting and wiring this product requires skills and experience. For best safety, leave the mounting and wiring work to professionals.
- Make sure to ground the unit to a negative 12V DC power supply.
- Do not use your own screws. Use only the screws provided. If you use the wrong screws, you could damage the unit.
- If your vessel ignition does not have an ACC position, connect the ignition wires to a power source that can be turned on and off with the ignition key. If you connect the ignition wire to a power source with a constant voltage supply, such as with battery wires, the battery may be drained.
- If the console has a lid, make sure to install the unit so that the front panel will not hit the lid when closing and opening.
- If the fuse blows, first make sure the wires aren't touching to cause a short circuit, then replace the old fuse with one with the same rating.
- Insulate unconnected wires with vinyl tape or other similar material. To prevent a short circuit, do not remove the caps on the ends of the unconnected wires or the terminals.
- Secure the wires with cable clamps and wrap vinyl tape around the wires that comes into contact with metal parts to protect the wires and to prevent short circuit.
- Connect the speaker wires correctly to the terminals to which they correspond. The unit may be damaged or fail to work if you share the \ominus wires or ground them to any metal part in the vessel.
- When only two speakers are being connected to the system, connect the connectors either to both the front output terminals or to both the rear output terminals (do not mix front and rear). For example, if you connect the \oplus connector of the left speaker to a front output terminal, do not connect the \ominus connector to a rear output terminal.
- After the unit is installed, check whether the signal lamps, wipers, etc. on the vessel are working properly.

- Reception may drop if there are metal objects near the Bluetooth antenna.



Bluetooth antenna unit

■ Supplied accessories for installation

①		x1	②		x1
③		x1	④		x4
⑤		x8	⑥		x2
⑦		x1	⑧		x1

■ Installation procedure

- 1) To prevent a short circuit, remove the key from the ignition and disconnect the \ominus terminal of the battery.
- 2) Make the proper input and output wire connections for each unit.
- 3) Connect the wire on the wiring harness.
- 4) Connect the wiring harness wires in the following order; ground, battery, ignition.
- 5) Connect the wiring harness connector to the unit.
- 6) Install the unit in your vessel.
- 7) Reconnect the \ominus terminal of the battery.

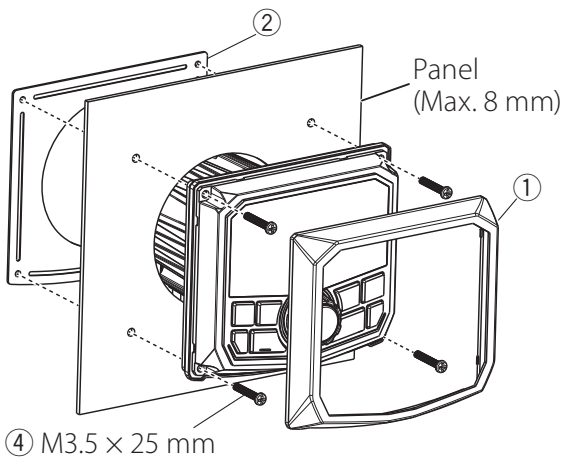
Installation

Installing the unit

■ Mounting (Using Mounting Plate)

To mount the unit, you will need to find a flat surface with adequate clearance behind it that provides enough clearance for the unit and all its necessary wiring.

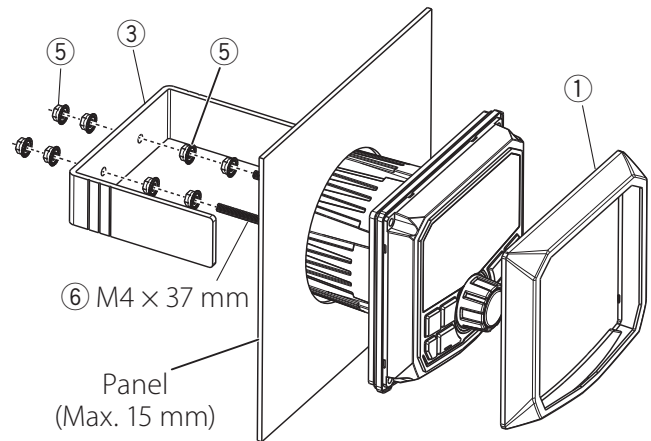
- 1) Once you have determined a mounting location, you will need to cut a circular hole 77 mm (3inch) in diameter.
- 2) After the hole is cut slide the unit and wiring through the hole.
- 3) Slide the mounting plate (accessory ②) over the backside of the unit and secure with the supplied screws (accessory ④).
- 4) Press on the trim plate (accessory ①) to the front side of the unit.
- 5) Plug in all wiring harnesses and cables. Refer to the wiring diagram for wire harness connection types.



■ Mounting (Using U Bracket)

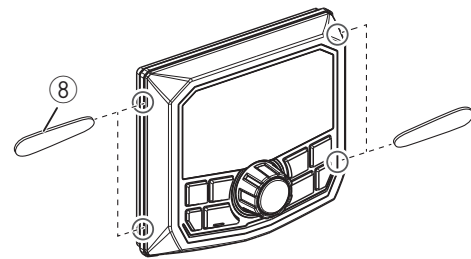
To mount the unit, you will need to find a flat surface with adequate clearance behind it that provides enough clearance for the unit and all its necessary wiring.

- 1) Attach the screw with nut (accessory ⑥) to the back of the unit.
- 2) Once you have determined a mounting location, you will need to cut a circular hole 77 mm (3inch) in diameter.
- 3) After the hole is cut slide the unit and wiring through the hole.
- 4) Take the bracket (accessory ③) and slide over the two studs on the back of the unit. Tighten down with supplied nuts (accessory ⑤).
- 5) Press on the trim plate (accessory ①) to the front side of the unit.
- 6) Plug in all wiring harnesses and cables. Refer to the wiring diagram for wire harness connection types.

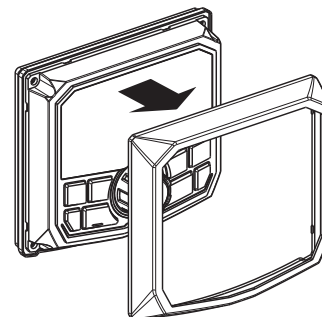


■ Removing the trim plate

- 1) Use the extraction key (accessory ⑧) to lever out the four tabs (two on the left part, two on the right part).

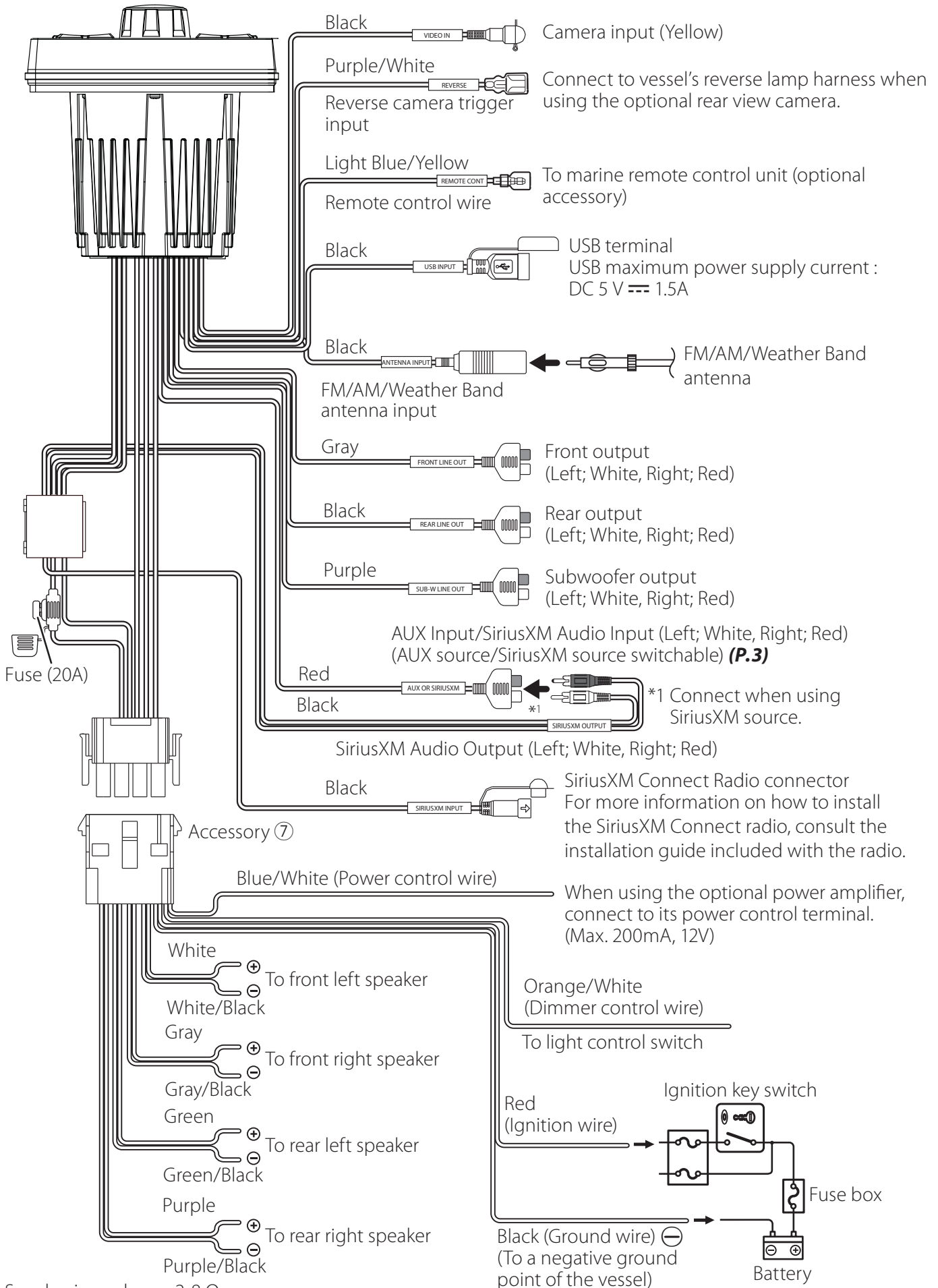


- 2) Pull the trim plate forward.



Installation

Connecting wires to terminals



Speaker impedance: 2-8 Ω

About this Unit

Maintenance

Cleaning the Unit

If the front panel of this unit is stained, wipe it with a dry soft cloth such as a silicon cloth. If the front panel is stained badly, wipe the stain off with a cloth moistened with neutral cleaner, then wipe it again with a clean soft dry cloth.

CAUTION

- Applying spray cleaner directly to the unit may affect its mechanical parts. Wiping the front panel with a hard cloth or using a volatile liquid such as thinner or alcohol may scratch the surface or erase screened print.

More information

Usable USB device

This unit can play MP3/ WMA/ FLAC/ AAC files stored in a USB mass storage class device.

- File system: FAT16, FAT32, exFAT
- This unit can recognize a total of 999 files and 255 folders (a maximum of 999 files per folder).
- The maximum number of characters:
 - Folder names : 24 characters
 - File names : 24 characters
 - Tag : 30 (Title) /30 (Artist/ Album) characters

NOTE

- When the USB device is connected to this unit, it can be charged through the USB cable.
- Install the USB device in the place where it will not affect safe driving.
- You cannot connect a USB device via a USB hub and Multi Card Reader.
- Take backups of the audio files used with this unit. The files may be erased depending on the operating conditions of the USB device. We shall have no compensation for any damage arising from any erased data.
- No USB device comes with this unit. You need to purchase a commercially available USB device.
- Cap the USB terminal whenever not using.

Playable Audio files

Audio format	Bit rate/ (Bit count)	Sampling frequency
MP3 (.mp3)	32 – 384kbps, VBR	16 – 48 kHz
WMA (.wma)	32 – 320kbps	32 – 48 kHz
FLAC (.flac)	(16 - 24 bit)	8 – 48 kHz
AAC-LC (.m4a)	16 – 320kbps	16 – 48 kHz

- This unit can show ID3 Tag Version 1.0/1.1/2.2/2.3/2.4 (for MP3).
- The maximum number of characters:
 - Tag : 30 (Title) /30 (Artist/ Album) characters

NOTE

- WMA and AAC of which is covered with DRM cannot be played.
- Although the audio files are complied with the standards listed above, the play may be impossible depending on the types or conditions of media or device.

Troubleshooting

What appears to be trouble is not always serious. Check the following points before calling a service center.

- For operations with the external components, refer also to the instructions supplied with the adapters used for the connections (as well as the instructions supplied with the external components).

General

No sound comes out of the speakers.

- Adjust the volume to the optimum level.
- Check the cords and connections.

The remote controller does not work.

- Check the wiring of the remote controller.

USB

While playing a track, sound is sometimes interrupted.

- The tracks are not properly copied into the USB device. Copy the tracks again, and try again.

About this Unit

iPhone

No sound comes out of the speakers.

- Disconnect the iPhone, then connect it again.
- Select another source, then reselect "iPhone".

The iPhone does not turn on or does not work.

- Check the connecting cable and its connection.
- Update the firmware version of iPhone.
- Charge the battery of iPhone.
- Reset the iPhone.

Sound is distorted.

- Deactivate the equalizer either on this unit or the iPhone.

A lot of noise is generated.

- Turn off (uncheck) "VoiceOver" on the iPhone. For details, visit <<https://www.apple.com>>.

Radio

Automatic presetting does not work.

- Store stations manually. **(P.7)**

Static noise while listening to the radio.

- Connect the antenna firmly.

Bluetooth

The sound is interrupted or skipped while using a Bluetooth audio player.

- Reduce the distance between the unit and the Bluetooth audio player.
- Turn off, then turn on the unit. (When the sound is not yet restored) connect the player again.

The connected audio player cannot be controlled.

- Check whether the connected audio player supports AVRCP (Audio/Video Remote Control Profile).

The Bluetooth device does not detect the unit.

- Make sure that the "Discoverable" in Bluetooth settings is set to "Enable".

The unit does not pair with the Bluetooth device.

- Turn off, then turn on the Bluetooth device.
- Disconnect the Bluetooth device currently connected and then register the new device. **(P.11)**

SiriusXM

"No Signal" appears.

- Make sure the SiriusXM Satellite Radio antenna is mounted outside the car. Move the car to an area with a clear view of the sky.

"Check Antenna" appears.

- Check the SiriusXM Satellite Radio antenna connection, and make sure the antenna is firmly attached to the radio.
- Check whether the SiriusXM Satellite Radio antenna cable is bent or broken. If it is damaged, replace the whole antenna unit.

"Check Radio" appears.

- Make sure the SiriusXM Connect Vehicle Radio is connected to the unit.

"Channel Not Available" appears.

- The selected channel is no longer available. Select another channel or continue listening to the previous channel.

"Channel Not Subscribed" appears.

The currently selected channel is not subscribed to.

- In the U.S.A., visit www.siriusxm.com or call 1-866-635-2349 if you have questions about your subscription package or would like to subscribe to this channel.
- In Canada, visit www.siriusxm.ca or call 1-877-438-9677.

"Subscription Updated" appears.

- Your subscription has been updated. Press the appropriate button to continue.

"Channel Locked" appears.

- The selected channel has been locked by the parental controls. Enter the unlock code when you are asked.

About this Unit

Specifications

■ Dust/Water proof

: IP66 for Faceplate
: IPX4 for Body
(Equivalent to IEC standard publication 60529)

■ Monitor section

Picture Size
: 2.7 inch Color TFT

Back Lighting
: LED


■ USB interface section

USB Standard
: USB 2.0 (Full Speed)

Compatible Devices
: Mass storage class

File System
: FAT16,FAT32,exFAT

Capacity
: 32GB maximum capacity, 255 Folders max, 999
Files per Folder max

Maximum Power Supply Current
: DC 5 V  1.5A

Frequency Response
: 20 – 20,000 Hz

Audio Decoder
:MP3/ WMA/ AAC/ FLAC

■ Bluetooth section

Technology
: Bluetooth 5.0

Frequency
: 2.4 GHz – 2.48 GHz

Maximum Communication range
: Line of sight approx. 10m (32.8 ft)

Pairing
: SSP(Secure Simple Pairing)

Profile

- A2DP (Advanced Audio Distribution Profile)
- AVRCP (V1.5) (Audio/Video Remote Control Profile)

■ FM radio section

Frequency Range (step)
North America: 87.9 MHz – 107.9 MHz (200 kHz)
South America, Europe, Russia, Asia, Middle East,
Australia: 87.5 MHz – 108 MHz (50 kHz)
Japan: 76.0 MHz – 99.0 MHz (100 kHz)

■ AM radio section

Frequency Range (step)
North America, South America
: 530 kHz – 1700 kHz (10 kHz)
Europe, Russia, Asia: 531 kHz – 1611 kHz (9 kHz)
Japan: 522 kHz – 1629 kHz (9 kHz)
Middle East: 531 kHz – 1602 kHz (9 kHz)
Australia: 531 kHz – 1701 kHz (9 kHz)

■ Weather Band radio section

Frequency Range (step)
USA/Canada: 162.400 MHz – 162.550 MHz (25 kHz)

■ Equalizer

Band
: 13 Band

Frequency
: 62.5/100/160/250/400/630/1k/1.6k/2.5k/4k/6.3k/
10k/16kHz

Gain
: -9 — +9 (-9 dB — +9 dB)

■ Audio section

Maximum Power
: 34 W × 4 (@ 4 Ω, Peak), 50 W × 4 (@ 2 Ω, Peak)

Full Bandwidth Power (1% THD)
: 19 W × 4 (@ 4 Ω, RMS), 28 W × 4 (@ 2 Ω, RMS)

Preout Level/ Load
KMR-M300BT
: 2000 mV/ 10 kΩ (USB)
KMR-XM500
: 5000 mV/ 10 kΩ (USB)

Preout Impedance
: ≤500 Ω

Speaker Impedance
: 2 – 8 Ω

About this Unit

General

Operating Voltage

: 12 V DC battery

Installation Dimensions

Panel (W × H)

: 115 × 106 mm

4-9/16 × 4-3/16 inch

Body (W × H × D)

: Ø77 × Ø77 × 74 mm

Ø3-1/16 × Ø3-1/16 × 2-15/16 inch

Weight

: 0.9 kg (2.0 lbs)

Copyrights

- The Bluetooth® word mark and logos are registered trademarks owned by the Bluetooth SIG, Inc. and any use of such marks by JVCKENWOOD Corporation is under license. Other trademarks and trade names are those of their respective owners.
- Use of the Made for Apple badge means that an accessory has been designed to connect specifically to the Apple product(s) identified in the badge, and has been certified by the developer to meet Apple performance standards. Apple is not responsible for the operation of this device or its compliance with safety and regulatory standards. Please note that the use of this accessory with an Apple product may affect wireless performance.
- Apple, iPhone and Lightning are trademarks of Apple Inc., registered in the U.S. and other countries.
- Microsoft and Windows Media are either registered trademarks or trademarks of Microsoft Corporation in the United States and/or other countries.
- Sirius, XM and all related marks and logos are trademarks of Sirius XM Radio Inc. All rights reserved.

NOTE

- Although the effective pixels for the liquid crystal panel is given as 99.99% or more, 0.01% of pixels may not light or may light incorrectly.
- Specifications subject to change without notice.

About this Unit

For USA

FCC CAUTION

Changes or modifications not expressly approved by the party responsible for compliance could void the user's authority to operate the equipment.

NOTE

- This equipment has been tested and found to comply with the limits for a Class B digital device, pursuant to Part 15 of the FCC Rules. These limits are designed to provide reasonable protection against harmful interference in a residential installation.
- This equipment may cause harmful interference to tuner communications, if it is not installed and used in accordance with the instructions. However, there is no guarantee that interference will not occur in a particular installation. If this equipment does cause harmful interference to tuner or television reception, which can be determined by turning the equipment off and on, the user is encouraged to try to correct the interference by one or more of the following measures:
 - Reorient or relocate the receiving antenna.
 - Increase the separation between the equipment and receiver.
 - Connect the equipment into an outlet on a circuit different from that to which the receiver is connected.
 - Consult the dealer or an experienced tuner /TV technician for help.

This transmitter must not be co-located or operated in conjunction with any other antenna or transmitter.

For Canada

ISED CAUTION

This device contains licence-exempt transmitter(s)/ receiver(s) that comply with Innovation, Science and Economic Development Canada's licence-exempt RSS(s).

Operation is subject to the following two conditions:

- (1) This device may not cause interference.
- (2) This device must accept any interference, including interference that may cause undesired operation of the device.

CAUTION

This equipment complies with FCC/ISED radiation exposure limits set forth for an uncontrolled environment and meets the FCC tuner frequency (RF) Exposure Guidelines and RSS-102 of the ISED tuner frequency (RF) Exposure rules. This equipment should be installed and operated keeping the radiator at least 20cm or more away from person's body.

Supplier's Declaration of Conformity

Trade Name: KENWOOD
Products: DIGITAL MEDIA RECEIVER
Model Name: KMR-M300BT/KMR-XM500
Responsible Party: JVCKENWOOD USA CORPORATION
4001 Worsham Avenue,
Long Beach, CA 90808, U.S.A.
PHONE: 1-800-252-5722

THIS DEVICE COMPLIES WITH PART 15 OF THE FCC RULES. OPERATION IS SUBJECT TO THE FOLLOWING TWO CONDITIONS:

- (1) THIS DEVICE MAY NOT CAUSE HARMFUL INTERFERENCE, AND
- (2) THIS DEVICE MUST ACCEPT ANY INTERFERENCE RECEIVED, INCLUDING INTERFERENCE THAT MAY CAUSE UNDESIRED OPERATION.

For Argentina

Información acerca de la eliminación de equipos eléctricos y electrónicos al final de la vida útil (aplicable a los países que hayan adoptado sistemas independientes de recogida de residuos)



Los productos con el simbolo de un contenedor con ruedas tachado no podran ser desechados como residuos domesticos.

Los equipos electricos y electronicos al final de la vida util, deberan ser reciclados en instalaciones que puedan dar el tratamiento adecuado a estos productos y a sus subproductos residuales correspondientes. Pongase en contacto con su administracion local para obtener informacion sobre el punto de recogida mas cercano.

Un tratamiento correcto del reciclaje y la eliminacion de residuos ayuda a conservar los recursos y evita al mismo tiempo efectos perjudiciales en la salud y el medio ambiente.

For Mexico

Para cumplimiento de la IFT:

La operacion de este equipo esta sujeta a las siguientes dos condiciones:

- (1) es posible que este equipo o dispositivo no cause interferencia perjudicial y
- (2) este equipo o dispositivo debe aceptar cualquier interferencia, incluyendo la que pueda causar su operacion no deseada.

Table des matières

Avant l'utilisation	22
Comment lire ce manuel	22
Précautions	22
Mise en route.....	23
Régler les paramètres généraux.....	23
Les bases	24
Opérations courantes	24
Sélectionner une source	24
USB	25
Préparation.....	25
Options de lecture.....	25
Réglages de fonction	25
iPhone	26
Préparation.....	26
Options de lecture.....	26
Réglages de fonction	26
Radio	27
Opérations de base du radio.....	27
Réglages de fonction	27
SiriusXM®	28
Activation de l'abonnement	28
REMARQUE.....	28
Opérations de base de SiriusXM®	28
Réglages de fonction	29
Contrôle parental.....	29
Réinitialisation.....	30
Composants Externes	30
Utilisation des lecteurs audio externes	30
Caméra.....	30
Smartphone Bluetooth®	31
Enregistrer votre smartphone dans l'appareil	31
Utilisation d'un appareil audio Bluetooth en lecture.....	31
Réglages de fonction	31
Configuration	32
Paramètres.....	32
Télécommande	33
Fonctions des boutons de la télécommande.....	33
Installation.....	34
Avant l'installation	34
Installation de l'appareil.....	35
À propos de cet appareil.....	37
Entretien.....	37
Plus d'informations	37
Dépannage	37
Spécifications	39
Copyrights	40

Avant l'utilisation

Comment lire ce manuel

- Les écrans illustrés dans le présent guide sont des exemples destinés à fournir des explications plus claires des opérations. Pour cette raison, il peut arriver qu'ils soient différents de ceux rencontrés dans la réalité.
- Dans les procédures opérationnelles, la forme du crochet indique l'élément que vous devez vérifier. [] : indique les éléments ou le menu sélectionnés. < >: Indique le nom des boutons du panneau.



Ce symbole sur le produit indique qu'il y a des instructions de fonctionnement et d'entretien importantes dans ce manuel. Assurez-vous de lire attentivement les instructions de ce manuel.

Précautions

⚠ AVERTISSEMENT

■ Pour éviter toute blessure ou incendie, prenez les précautions suivantes :

- Pour éviter un court-circuit, ne mettez ni ne laissez jamais d'objets métalliques (comme des pièces de monnaie ou des outils en métal) à l'intérieur de l'appareil.
- Ne regardez pas ni ne fixez votre regard sur l'affichage de l'appareil trop longtemps pendant la conduite.
- Si vous rencontrez des problèmes pendant l'installation, consultez votre revendeur KENWOOD.

■ Précautions d'utilisation de l'appareil

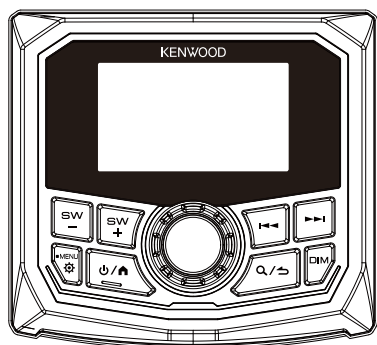
- Lorsque vous achetez des accessoires en option, vérifiez auprès de votre revendeur KENWOOD qu'ils fonctionneront avec votre modèle et dans votre région.
- Vous pouvez sélectionner une langue pour afficher les menus, les étiquettes de fichiers audio, et autres. **Régler les paramètres généraux (P.23)**
- Les fonctions Radio Data System ou Radio Broadcast Data System sont inopérantes dans les zones où le service n'est pris en charge par aucune station de radiodiffusion.

■ Protection du moniteur

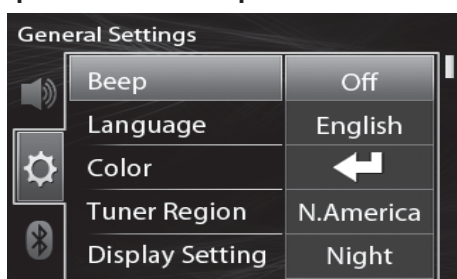
- Ne touchez pas le moniteur avec un stylo à bille ou tout autre outil pointu. Cela pourrait l'endommager.

Mise en route

Régler les paramètres généraux



- 1 Appuyez sur **<P>/<H>** pour mettre l'appareil sous tension.
- 2 Appuyez et maintenez enfoncée la touche **<G>** pour afficher les paramètres.



- 3 Appuyez sur **<L<<<>/<>>>>** pour sélectionner **[G]** (paramètres généraux).
- 4 Tournez le bouton du volume pour sélectionner un élément (voir le tableau suivant), puis appuyez sur le bouton.
- 5 Répétez l'étape 4 jusqu'à ce que l'élément souhaité soit sélectionné/activé ou suivez les instructions indiquées sur l'élément sélectionné.
- 6 Appuyez sur **<Q/>**.

Beep

Activez ou désactivez la touche de verrouillage. « ON » (marche) (par défaut), « OFF » (arrêt)

Language

Sélectionnez la langue utilisée pour contrôler l'écran et les paramètres. La langue par défaut est l'anglais

Color

Vous pouvez définir la couleur d'éclairage du **USER** bouton et sélectionner l'utilisateur. "LIGHTBLUE" (KMR-XM500 Défaut)/"USER" (KMR-M300BT Défaut).

Les couleurs prédéfinies sont les suivantes: Variables, RED1, RED2, RED3, PURPLE1, PURPLE2, PURPLE3, PURPLE4, BLUE1, BLUE2, BLUE3, SKYBLUE1, SKYBLUE2, LIGHTBLUE, AQUA1, AQUA2, GREEN1, GREEN2, GREEN3, YELLOW GREEN1, YELLOW GREEN2, YELLOW, ORANGE1, ORANGE2, ORANGE RED, USER



Pour choisir votre couleur préférée, appuyez sur le **USER** bouton. La couleur que vous avez sélectionnée sera stockée dans le mode par défaut **USER**.

- 1 Appuyez sur le bouton de volume pour entrer dans l'interface détaillée de réglage des couleurs.
- 2 Appuyez sur le bouton de volume pour sélectionner la couleur (**[R]/[G]/[B]**) à ajuster.
- 3 Tournez le bouton de volume pour régler le volume (**[0]** à **[9]**), puis appuyez sur le bouton

Tuner Region

N.America (par défaut) : Pour l'Amérique du Nord, intervalles AM/FM : 10 kHz/200 kHz

S.America : Pour l'Amérique du Sud/Centrale, intervalles AM/FM : 10 kHz/50 kHz

Eur/Rus/Asia : pour l'Europe, la Russie et l'Asie, intervalles AM/FM : 9 kHz/50 kHz

Japan : Pour le Japon, intervalles AM/FM : 9 kHz/100 kHz.

M.East : Pour le Moyen-Orient, intervalles AM/FM : 9 kHz/50 kHz.

Aust. : Pour l'Australie, intervalles AM/FM : 9 kHz/50 kHz.

Display Setting

Vous pouvez changer la disposition de l'affichage. « Night » (par défaut), « Auto », « Day »

AUX Input

SiriusXM (par défaut) : régler sur **[SiriusXM]** lors du raccordement d'un radio SiriusXM® Satellite Radio.

AUX : réglé sur **[AUX]** lors du raccordement d'un lecteur audio portable.

Source Gain

Réglez finement le volume de la source actuellement sélectionnée pour minimiser la différence de volume entre les différentes sources. « -3dB » - « 0dB » (par défaut) - « 3dB »

Global Input : « -18dB » - « 0dB » (par défaut)

Int. Amplifier

Le fait de sélectionner « OFF » entraîne l'arrêt de l'amplificateur intégré. La mise hors tension de l'amplificateur intégré permet d'améliorer la qualité du son à partir du pré-amplificateur.

« ON » (marche) (par défaut), « OFF » (arrêt)»

Voltage Gauge

Afficher la tension fournie.

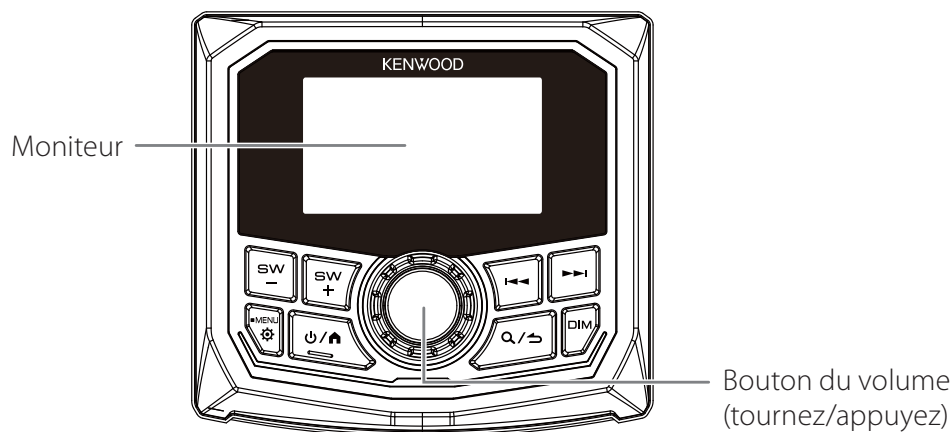
Information

Voir tous les détails du système

Factory Reset

Sélectionnez **[Audio]**, **[System]**, ou **[SiriusXM]** puis sélectionnez **[Yes]** pour réinitialiser tous les paramètres aux valeurs initiales par défaut.

Les bases



Opérations courantes

Allumer le courant

1 Appuyez sur <⏻/🏠>.

Éteindre le courant

1 Appuyez et maintenez enfoncé <⏻/🏠>.

Réglage du volume

1 Tournez le bouton du volume.

Coupe le son ou Lecture/Pause

1 Appuyez sur le bouton du volume.

- Radio/AUX
 - 📢 apparaît lorsque la fonction sourdine est active.
 - Pour rétablir le son, appuyez et maintenez enfoncé à nouveau ou réglez le volume.
- USB/iPhone/SiriusXM
 - Lit ou effectue une pause.

Sélectionner le mode gradateur

1 Appuyez sur le bouton <DIM>.
Gradateur, off

Sélectionner une source

1 Appuyez sur <⏻/🏠> pour afficher l'écran d'ACCUEIL.
L'écran d'ACCUEIL apparaît

2 Tournez le bouton du volume pour sélectionner la source, puis appuyez sur le bouton.



Bascule vers la diffusion du radio FM. (P.27)



Bascule vers la diffusion du radio AM. (P.27)



Passé à la diffusion du radio WB (bande météo). (P.27)



[USB]
Lit les fichiers d'un périphérique USB. (P.25)



[iPhone]
Joue depuis un iPhone. (P.26)
• Lorsqu'un iPhone est connecté.



Joue un lecteur audio Bluetooth. (P.31)



[SiriusXM]
Commute sur la réception radio satellite SiriusXM®. (P.28)



[AUX]
Passé à l'élément externe connecté à la borne d'entrée AUX. (P.30)



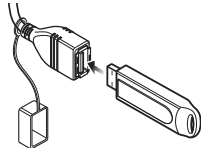
Affiche la vue de l'écran de la caméra. (P.30)

USB

Préparation

■ Connecter un périphérique USB

1 Branchez le périphérique USB avec le câble USB (vendu séparément).



- Tension d'alimentation maximum pour USB : CC 5 V = 1.5A

2 Appuyez sur <P> / <H> pour afficher l'écran d'ACCUEIL.

3 Tournez le bouton du volume pour sélectionner [USB], puis appuyez sur le bouton.

■ Pour débrancher le périphérique USB

1 Appuyez sur <P> / <H> pour afficher l'écran d'ACCUEIL.

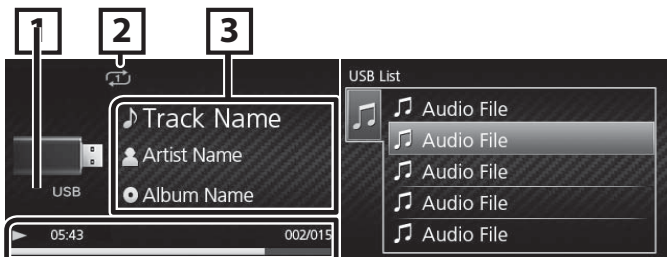
2 Tournez le bouton du volume pour sélectionner des options autres que [USB], puis appuyez sur le bouton.

3 Débranchez le périphérique USB.

REMARQUE

- Pour les types de fichier reproductibles et d'autres informations, voir (P.37).

Options de lecture



Écran de la source

Écran des listes

Pour	Faire ceci
Lecture/pause	Appuyez sur le bouton du volume.
Sélectionner un fichier	Appuyez sur <I<<<>/<>>>> à plusieurs reprises.
Retour rapide/ Avance rapide	Appuyez et maintenez enfoncée la touche <I<<<>/<>>>>.
Précédent/ suivant dossier	Appuyez et maintenez enfoncé le bouton <SW->/<SW+>.

■ Écran de la source

- 1 État de lecture/Durée de lecture
Barre du temps de lecture : Pour confirmer la position actuelle de lecture
- 2 : Indicateur du mode lecture répéter
 : Indicateur du mode de lecture aléatoire
- 3 Affiche les informations concernant le fichier en cours.

■ Sélection d'une piste dans une liste (Recherche le fichier)

- 1 Appuyez sur <Q> / <S> pour afficher l'écran de liste.
- 2 Tournez le bouton du volume pour sélectionner le dossier de votre choix, puis appuyez sur le bouton.
 - Le contenu d'un dossier est affiché lorsque vous le sélectionnez.
 - Pour revenir au niveau précédent, appuyez sur <Q> / <S>.
- 3 Tournez le bouton du volume pour sélectionner l'élément de votre choix, puis appuyez sur le bouton.

Réglages de fonction

- 1 Appuyez sur <G> pour afficher le menu des fonctions.
- 2 Tournez le bouton du volume pour sélectionner l'élément à régler (voir le tableau ci-dessous), puis appuyez sur le bouton pour effectuer une sélection.
- 3 Appuyez sur <Q> / <S>.

Browsing Voir **Sélection d'une piste dans une liste (P.25)**.

Repeat All: Répétition de tous les fichiers. (

One: Répète le fichier actuel. (

Folder: Répète tous les fichiers du dossier actuel. (

Random Off: Lecture normale.

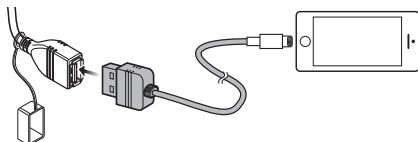
Folder: Lit de manière aléatoire tous les fichiers du dossier actuel. (

iPhone

Préparation

■ Connexion d'un iPhone

- 1 Connectez l'iPhone à l'aide d'un câble Lightning-USB (vendu séparément)



- Tension d'alimentation maximum pour USB:
CC 5 V = 1.5 A

- 2 Appuyez sur **<⏻ / 🏠>** pour afficher l'écran d'ACCUEIL.
- 3 Tournez le bouton du volume pour sélectionner [iPod], puis appuyez sur le bouton.

■ Pour débrancher l'iPhone

- 1 Appuyez sur **<⏻ / 🏠>** pour afficher l'écran d'ACCUEIL.
- 2 Tournez le bouton du volume pour sélectionner des options autres que [iPod], puis appuyez sur le bouton.
- 3 Débranchez l'iPod/l'iPhone.

■ iPhone connectables

Les modèles suivants peuvent être reliés à cet appareil.

Convient pour

- | | | |
|---------------------|------------------------------|------------------|
| • iPhone 14 Pro Max | • iPhone 12 Pro | • iPhone XR |
| • iPhone 14 Pro | • iPhone 12 | • iPhone X |
| • iPhone 14 Plus | • iPhone 12 mini | • iPhone 8 Plus |
| • iPhone 14 | • iPhone SE (2nd generation) | • iPhone 8 |
| • iPhone 13 Pro Max | • iPhone 11 Pro | • iPhone 7 Plus |
| • iPhone 13 Pro | • iPhone 11 Pro Max | • iPhone 7 |
| • iPhone 13 | • iPhone 11 | • iPhone SE |
| • iPhone 13 mini | • iPhone XS Max | • iPhone 6s Plus |
| • iPhone 12 Pro Max | • iPhone XS | • iPhone 6s |
| | | • iPhone 6 Plus |
| | | • iPhone 6 |

🔑 REMARQUE

- Si vous démarrez la lecture après avoir connecté l'iPod, la musique qui a été lue par l'iPod est jouée en premier.

Options de lecture



Écran de la source

Écran des listes

Pour	Faire ceci
Lecture/pause	Appuyez sur le bouton du volume.
Sélectionner un fichier	Appuyez sur <⏮>/<⏭> à plusieurs reprises.
Retour rapide/ Avance rapide	Appuyez et maintenez enfoncée la touche <⏮>/<⏭> .

■ Écran de la source

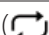
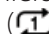
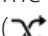
- 1 État de lecture/Durée de lecture/Numéro de fichier
Barre du temps de lecture : Pour confirmer la position actuelle de lecture
- 2 : Indicateur du mode lecture répéter
 : Indicateur du mode de lecture aléatoire
- 3 Affiche les informations concernant le fichier en cours.

■ Sélectionner un contenu dans la liste

- 1 Appuyez sur **<Q / ↵>** pour afficher l'écran de liste.
- 2 Tournez le bouton du volume pour sélectionner la catégorie, puis appuyez sur le bouton.
 - Pour revenir au niveau précédent, appuyez sur **<Q / ↵>**.
- 3 Tournez le bouton du volume pour sélectionner l'élément de votre choix, puis appuyez sur le bouton.

Réglages de fonction

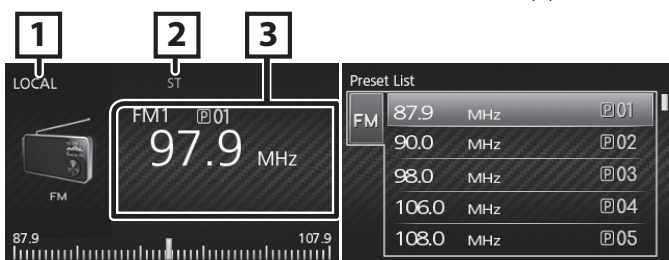
- 1 Appuyez sur **<⚙>** pour afficher le menu des fonctions.
- 2 Tournez le bouton du volume pour sélectionner l'élément à régler (voir le tableau ci-dessous), puis appuyez sur le bouton pour effectuer une sélection.
- 3 Appuyez sur **<Q / ↵>**.

Browsing	Voir Sélectionner un contenu dans la liste (P.26) .
Repeat	All: Répétition de tous les fichiers. ( One: Répète le fichier actuel. ( Off: Arrêt de la répétition.
Random	Off: Lecture normale. All : Fonctionne de la même manière que « Shuffle Songs ». ()

Radio

Opérations de base du radio

- 1 Appuyez sur **<⏻/🏠>** pour afficher l'écran d'ACCUEIL.
- 2 Tournez le bouton du volume pour sélectionner [FM], [AM], ou [WB], puis appuyez sur le bouton.
- 3 Appuyez sur **<◀◀>/<▶▶>** pour rechercher automatiquement une station.
« Auto Seek » (Recherche automatique) apparaît.
(ou)
Appuyez et maintenez enfoncée la touche **<◀◀>/<▶▶>** à plusieurs reprises pour rechercher une station manuellement.
« Manual Seek » (Recherche Manuelle) apparaît.



Écran de la source

Écran des listes

REMARQUE

- L'indicateur **ST** s'allume lors de la réception d'une émission FM stéréo de signal suffisamment fort.
- Pour enregistrer les stations, utilisez **[Add Presets]** ou **[Auto Store]**.
- Pour sélectionner une station mémorisée : maintenez la touche **<SW->/<SW +>** enfoncée.

Écran de la source

- 1 Indicateur LOCAL
- 2 Témoin ST (stéréo)
- 3 Affiche les informations concernant la station en cours :
Nom PS, Fréquence, Genre PTY, Indicateur d'articles

Sélectionnez une station mémorisée de la bande actuelle

Vous pouvez présélectionner 6 stations disponibles pour la bande actuelle (FM1/FM2/FM3/AM1/AM2/WB).

- 1 Appuyez sur **<Q/↵>** pour afficher l'écran de liste.
- 2 Tournez le bouton du volume pour sélectionner un numéro de préséglage, puis appuyez sur le bouton.

REMARQUE

- Pour quitter, appuyez sur **<Q/↵>**.

Réglages de fonction

- 1 Appuyez sur **<⚙>** pour afficher le menu des fonctions.
- 2 Tournez le bouton du volume pour sélectionner l'élément à régler (voir le tableau ci-dessous), puis appuyez sur le bouton pour effectuer une sélection.
- 3 Appuyez sur **<Q/↵>**.

Add Presets	Enregistre une station manuellement à la bande en cours. Pendant l'écoute d'une station que vous souhaitez enregistrer, tournez le bouton du volume pour sélectionner un numéro de préséglage, puis appuyez sur le bouton.
Remove Presets	Supprimer une station mémorisée de la bande en cours. Tournez le bouton du volume pour sélectionner un numéro de préséglage, puis appuyez sur le bouton.
FM *1	Sélectionnez la bande préséglée (FM1/FM2/FM3).
AM *2	Sélectionnez la bande préséglée (AM1/AM2).
Auto Store *1*2	Recherche et enregistre automatiquement les 6 stations avec les signaux les plus puissants pour la bande sélectionnée. • « Auto Store » (Mémoriser Automatiquement) apparaît.
Local *1*2	Recherche uniquement les stations ayant une intensité suffisante de signal. (L'indicateur LOCAL s'allume.) « ON », « OFF » (par défaut)
RBDS *1	ON (par défaut): Active les fonctions du système de données de diffusion radio FM OFF: Désactive la fonction.

*1 FM uniquement

*2 AM uniquement

Seul SiriusXM® vous propose encore plus de ce que vous aimez écouter, tout au même endroit. Disposez de plus de 140 canaux, musique sans publicité comprise plus le meilleur du sport, des informations, des débats, de la comédie et du divertissement. Bienvenue dans le monde de la radio satellite. Un syntoniseur de connexion SiriusXM et un abonnement sont requis. Pour de plus amples informations, visitez la page www.siriusxm.com.

Activation de l'abonnement

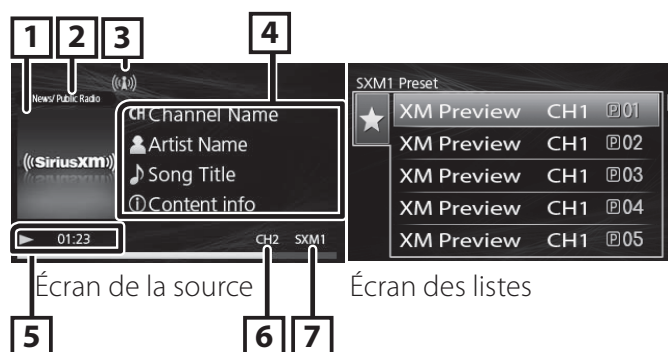
- Vérifiez votre identifiant radio.
L'identifiant de la radio satellite SiriusXM est nécessaire pour l'activation et est disponible en allant sur le Canal 0 ainsi que sur l'étiquette qui se trouve sur le syntoniseur SiriusXM Connect et son emballage. L'identifiant Radio ne comprend pas les lettres I, O, S ou F.
- Activez le syntoniseur de connexion SiriusXM, en suivant l'une des deux méthodes expliquées ci-après
 - For users in U.S.A.
Pour les utilisateurs résidant aux États-Unis
En ligne: visitez www.siriusxm.com/activatenow
Téléphone : Appelez le service après-vente SiriusXM au 1-866-635-2349
 - Pour les utilisateurs résidant au Canada :
En ligne : Allez sur <http://www.siriusxm.ca/help/activation-help/>
Téléphone : Appelez le service après-vente XM au 1-888-539-7474

REMARQUE

- Pour utiliser SiriusXM® Satellite Radio, l'accessoire en option est nécessaire. «Accessoires fournis pour l'installation» (P.34)
- Pour sélectionner la source SiriusXM, il est nécessaire de régler «AUX Input» sur «SiriusXM» dans [General Settings] (P.23).

Opérations de base de SiriusXM®

- 1 Appuyez sur <⏻/🏠> pour afficher l'écran d'ACCUEIL.
- 2 Tournez le bouton du volume pour sélectionner [SiriusXM], puis appuyez sur le bouton.
- 3 Appuyez sur <⚙️> pour afficher le menu des fonctions.
- 4 Tournez le bouton du volume pour sélectionner [CATEGORY], puis appuyez sur le bouton.
- 5 Tournez le bouton du volume pour sélectionner une catégorie, puis appuyez sur le bouton.
- 6 Tournez le bouton du volume pour sélectionner un canal, puis appuyez sur le bouton.
- 7 Appuyez sur <⏪/⏩> pour rechercher un canal manuellement.
 - Pressing and holding <⏪/⏩> changes the channel rapidly.



REMARQUE

- Pour sélectionner une station mémorisée : Appuyez sur <Q/↵>.

Source screen

- 1 Art de l'album
- 2 Nom de la catégorie
- 3 Indication de la force du signal
- 4 Affiche l'information du canal en cours :
Nom du canal, nom de l'artiste, titre de la chanson, informations du contenu
- 5 Rejouer
- 6 Numéro du canal
- 7 Bande Sirius XM

Sélectionnez un canal mémorisé dans la bande actuelle

Vous pouvez présélectionner 6 canaux pour la bande actuelle (SXM1/SXM2/SXM3).

- 1 Appuyez sur <Q/↵> pour afficher l'écran de liste.
- 2 Tournez le bouton du volume pour sélectionner un numéro de pré-réglage, puis appuyez sur le bouton.

REMARQUE

- Pour quitter, appuyez sur <Q/↵>.

Réglage d'accès direct

Vous pouvez syntoniser un canal directement.

- 1 Appuyez sur <⚙️> pour afficher le menu des fonctions.
- 2 Tournez le bouton du volume pour sélectionner [Direct Tuning], puis appuyez sur le bouton.
- 3 Tournez le bouton du volume pour sélectionner la position d'entrée, puis appuyez sur le bouton.
- 4 Tournez le bouton du volume pour sélectionner un numéro, puis appuyez sur le bouton.
- 5 Répétez les étapes 3 et 4 jusqu'à ce que le numéro de canal soit terminé.

Rediffusion

1 Appuyez sur le bouton du volume.

Pour	Faire ceci
Lecture/pause	Appuyez sur le bouton du volume.
Sélectionner un fichier	Appuyez sur < ◀◀>/>>> > à plusieurs reprises.
Retour rapide/Avance rapide	Appuyez et maintenez enfoncée la touche < ◀◀>/>>> >.

Pour revenir à la musique/au contenu en direct

- 1 Appuyez sur <⚙> pour afficher le menu de la fonction.
- 2 Tournez le bouton volume pour sélectionner [Jump to Live], puis appuyez sur le bouton.

Réglages de fonction

- 1 Appuyez sur <⚙> pour afficher le menu des fonctions.
- 2 Tournez le bouton du volume pour sélectionner l'élément à régler (voir le tableau ci-dessous), puis appuyez sur le bouton pour effectuer une sélection.
- 3 Appuyez sur <Q/↵>.

SXM	Sélectionnez la bande pré-réglée (SXM1/SXM2/SXM3).
Add Presets	Permet de mémoriser un canal manuellement sur la bande actuelle. Pendant l'écoute d'un canal que vous souhaitez enregistrer, tournez le bouton du volume pour sélectionner un numéro de pré-réglage, puis appuyez sur le bouton.
Remove Presets	Supprimer un canal enregistré dans la bande actuelle. Tournez le bouton du volume pour sélectionner un numéro de pré-réglage, puis appuyez sur le bouton.
Channel	Affiche une liste complète des canaux. <ul style="list-style-type: none"> • Pour changer les informations de la liste (nom du canal/nom de l'artiste/titre de la chanson/informations du contenu/ Catégorie), appuyez sur < ◀◀>/>>> >.
Category	Il est possible d'indiquer une catégorie donnée et une station. <ol style="list-style-type: none"> 1) Sélectionnez une catégorie. 2) Sélectionnez un canal.
Direct Tuning	Affichez l'écran de recherche directe de canal. (P.28)
Parental Contr.	Voir Contrôle parental (P.29) .


Contrôle parental

Le contrôle parental est une fonctionnalité qui permet à l'utilisateur d'éviter l'accès non autorisé à des contenus réservés aux adultes et à des stations sélectionnées par l'utilisateur.

Activer le contrôle parental

- 1 Appuyez sur <⚙> pour afficher le menu des fonctions.
- 2 Tournez le bouton du volume pour sélectionner [Parental Contr.], puis appuyez sur le bouton.
- 3 Entrez le code parental initial (« 1111 »)
 - 1) Tournez le bouton du volume pour sélectionner un numéro, puis appuyez sur le bouton.
 - 2) Répétez l'étape 1 jusqu'à ce que le code parental soit terminé.



Sélection de canal de verrouillage parental

- 1 Appuyez sur <⚙> pour afficher le menu des fonctions.
- 2 Tournez le bouton du volume pour sélectionner [Parental Contr.], puis appuyez sur le bouton.
- 3 Entrez le code parental initial (« 1111 »)
- 4 Tournez le bouton du volume pour sélectionner [Lock Channels], puis appuyez sur le bouton.
- 5 Entrez le code parental.
 - 1) Tournez le bouton du volume pour sélectionner un numéro, puis appuyez sur le bouton.
 - 2) Répétez l'étape 1 jusqu'à ce que le code parental soit terminé.
- 6 Tournez le bouton du volume pour sélectionner le canal que vous voulez verrouiller, puis appuyez sur le bouton.
 - «  » apparaît.
- 7 Appuyez sur <Q/↵>.

Changer le code parental

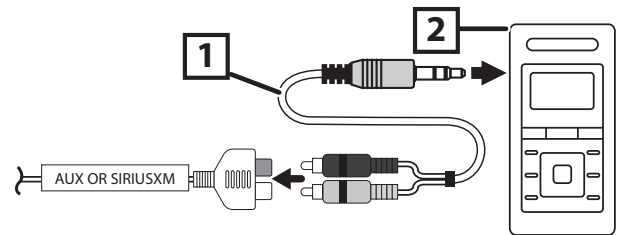
- 1 Appuyez sur <⚙> pour afficher le menu des fonctions.
- 2 Tournez le bouton du volume pour sélectionner [Parental Contr.], puis appuyez sur le bouton.
- 3 Entrez le code parental initial (« 1111 »)
- 4 Tournez le bouton du volume pour sélectionner [Change Code], puis appuyez sur le bouton.
- 5 Entrez l'ancien code parental.
 - 1) Tournez le bouton du volume pour sélectionner un numéro, puis appuyez sur le bouton.
 - 2) Répétez l'étape 1 jusqu'à ce que le code parental soit terminé.
- 6 Saisissez un nouveau code à quatre chiffres.
- 7 Répétez l'étape 6 ci-dessus pour confirmer le nouveau code.

Réinitialisation

- 1 Appuyez et maintenez enfoncée la touche  pour afficher les paramètres.
- 2 Appuyez sur <|◀◀>/<▶▶|> pour sélectionner [] (paramètres généraux).
- 3 Tournez le bouton du volume pour sélectionner [Factory Reset], puis appuyez sur le bouton.
- 4 Tournez le bouton du volume pour sélectionner [SiriusXM], puis appuyez sur le bouton.
- 5 Tournez le bouton du volume pour sélectionner [Yes], puis appuyez sur le bouton.

Composants Externes

Utilisation des lecteurs audio externes



- 1 Mini-prise stéréo 3,5 mm à fiche RCA (vendu séparément)
- 2 Lecteur audio portable (vendu séparément)

■ Démarrer la lecture

- 1 Connecter un composant externe à la borne d'entrée AUX.
- 2 Appuyez sur <Q / ↵> pour afficher l'écran d'ACCUEIL.
- 3 Tournez le bouton du volume pour sélectionner [AUX], puis appuyez sur le bouton.
- 4 Mettez l'appareil connecté sous tension et démarrez la lecture de la source.

REMARQUE

- Pour sélectionner la source AUX-IN, il est nécessaire de régler « AUX Input » sur « AUX » dans [General Settings].. (P.23).

Caméra

Un recul sert à activer la caméra lors de la marche arrière du véhicule, ou vous pouvez sélectionner la caméra à partir du menu source.

■ Affiche l'image de la caméra

L'écran de la caméra est affiché lorsque vous passez en marche arrière (R).



■ Pour afficher l'image de la caméra manuellement

- 1 Appuyez sur <Q / ↵> pour afficher l'écran d'ACCUEIL.
- 2 Tournez le bouton du volume pour sélectionner [Camera], puis appuyez sur le bouton.

Smartphone Bluetooth®

À propos du Smartphone Bluetooth et du lecteur audio Bluetooth

Cet appareil est conforme aux caractéristiques techniques suivantes de la norme Bluetooth :

Version

Bluetooth 5.0

Profil

Lecteur audio :

A2DP (Profil de distribution audio avancée)

AVRCP (V1.5) (Profil de télécommande audio/vidéo)

Codec son

SBC

AAC

Enregistrer votre smartphone dans l'appareil

Vous pouvez utiliser votre smartphone Bluetooth lié à cet appareil.

- Vous pouvez coupler le périphérique et l'appareil utilisant SSP (Secure Simple Pairing) qui nécessitent seulement une confirmation.
- Un seul périphérique peut être connecté à la fois.
- Lorsque vous enregistrez un nouveau périphérique Bluetooth, veillez à déconnecter d'abord le périphérique Bluetooth actuellement connecté, puis enregistrez le nouveau.

1 Activer la fonction Bluetooth sur votre smartphone.

2 Rechercher l'appareil ("KMR-M300BT" / "KMR-XM500") à partir de votre smartphone.

Si un code PIN est requis, entrez le code PIN (« 0000 »).

■ Déconnecter le périphérique

- Désactiver la fonction Bluetooth de votre smartphone.
- Mettre sur arrêt l'interrupteur d'allumage.

Utilisation d'un appareil audio Bluetooth en lecture

1 Appuyez sur <Q/↵> pour afficher l'écran d'ACCUEIL.

2 Tournez le bouton du volume pour sélectionner [Bluetooth Audio], puis appuyez sur le bouton.



Écran de la source

Écran des listes

Pour

Faire ceci

Lecture/pause	Appuyez sur le bouton du volume.
Sélectionner un fichier	Appuyez sur <◀◀>/<▶▶> à plusieurs reprises.
Retour rapide/ Avance rapide	Appuyez et maintenez enfoncée la touche <◀◀>/<▶▶>.

REMARQUE

- Certains indicateurs de fonctionnement et d'affichage peuvent différer en fonction de leur disponibilité sur l'appareil connecté.

■ Écran de la source

1 État de lecture/Durée de lecture/Numéro de fichier

Barre du temps de lecture : Pour confirmer la position actuelle de lecture

2 : Indicateur du mode lecture répéter

: Indicateur du mode de lecture aléatoire

3 Affiche les informations concernant le fichier en cours.

■ Sélectionner un contenu dans la liste

1 Appuyez sur <Q/↵> pour afficher l'écran de liste.

2 Tournez le bouton du volume pour sélectionner un élément, puis appuyez sur le bouton.

- Pour revenir au niveau précédent, appuyez sur <Q/↵>.

Réglages de fonction

1 Appuyez sur <⚙> pour afficher le menu des fonctions.

2 Tournez le bouton du volume pour sélectionner l'élément à régler (voir le tableau ci-dessous), puis appuyez sur le bouton pour effectuer une sélection.

3 Appuyez sur <Q/↵>.




Browsing Voir **Sélectionner un contenu dans la liste (P.31)**.

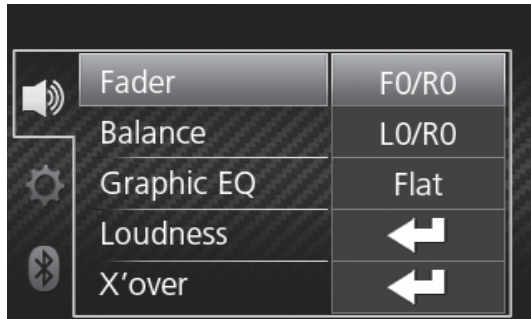
Repeat All: Répétition de tous les fichiers. (◁) One: Répète le fichier actuel. (1) Off: Arrêt de la répétition.


Random Off: Lecture normale. On: Lit tous les fichiers de manière aléatoire. (X)

Configuration





Paramètres

- 1 Appuyez et maintenez enfoncée la touche  pour afficher les paramètres.
- 2 Appuyez sur / pour sélectionner la catégorie.



- 3 Tournez le bouton du volume pour sélectionner un élément (voir le tableau suivant), puis appuyez sur le bouton.
- 4 Répétez l'étape 3 jusqu'à ce que l'élément souhaité soit sélectionné/activé ou suivez les instructions indiquées sur l'élément sélectionné.
- 5 Appuyez sur .

Paramètres audio

Fader	F12 — R12 (F0/RO): Ajuste la balance de sortie des enceintes avant et arrière.
Balance	L12 — R12 (L0/RO): Ajuste la balance de sortie des enceintes gauche et droite.
Graphic Equalizer	Sélectionne un égaliseur pré-réglé adapté au genre de musique. Flat / Hard Rock / Classical / Pop / Dance / Electronic / Hip Hop / User Sélectionnez [User] pour utiliser les paramètres effectués 1) Appuyez sur le bouton du volume pour sélectionner la fréquence. 2) Tournez le bouton du volume pour régler le niveau. 3) Appuyez sur  .
Loudness	Définit les niveaux d'amplification des graves et des aigus. « ON », « OFF » (par défaut)
X'over	Vous pouvez définir la fréquence de croisement des enceintes. 1) Appuyez sur  /  pour sélectionner l'enceinte. 2) Appuyez sur le bouton du volume pour sélectionner l'élément. 3) Tournez le bouton du volume pour régler la valeur. 4) Appuyez sur  .

Paramètres généraux (P.23)

Paramètres Bluetooth

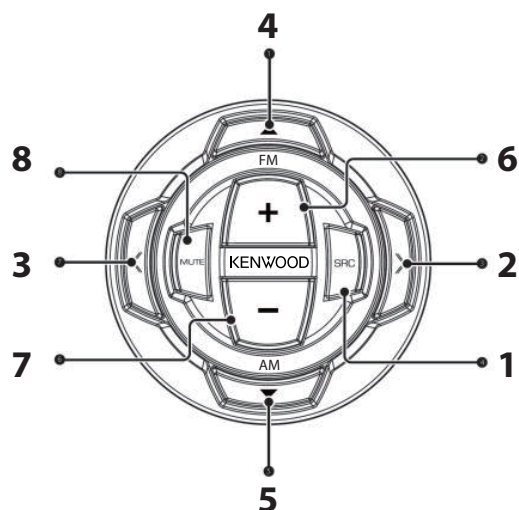
Discoverable	Enable (par défaut)/Disable : Active ou désactive les fonctions Bluetooth.
Device Name	Le nom du périphérique Bluetooth de cet appareil s'affiche.

Télécommande

Cet appareil peut être utilisé avec une télécommande.

La télécommande KCA-RC35MR (accessoire optionnel) peut être utilisée.

Fonctions des boutons de la télécommande



1	SRC	Passé à la source à utiliser.
2/3	>>> <<<	Sélectionne la piste ou le fichier à lire. Avec le syntoniseur comme source, alterne entre les stations reçues par l'appareil. Recherchez un canal pendant la source Sirius XM.
4/5	▲ ▼	Avec la radio comme source, choisit une station pré réglée.
6/7	VOL + -	Règle le volume.
8	MUTE	Appuyez sur Mute / Restore Sound USB/iPhone/Bluetooth Audio Appuyez et maintenez les jeux ou les pauses. SiriusXM Appuyez sur le mode de lecture.

Installation

Avant l'installation

Avant d'installer cet appareil, veuillez prendre les mesures de précaution suivantes.

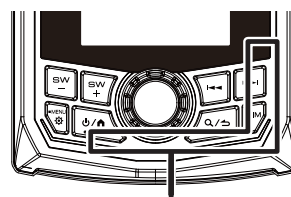
▲ AVERTISSEMENTS

- Si vous branchez le câble d'allumage (rouge) au point négatif de mise à la terre, il peut y avoir un court-circuit qui, à son tour, peut provoquer un incendie. Il faut toujours brancher ces câbles à la source d'alimentation fonctionnant via le boîtier de fusibles.
- Ne débranchez pas le fusible du câble d'allumage (rouge). L'alimentation électrique doit être connectée aux câbles via le fusible.

REMARQUE

- Le montage et le câblage de ce produit requièrent expérience et savoir-faire. Pour des questions de sécurité, les travaux de montage et de câblage doivent être effectués par des professionnels.
- Veillez à brancher l'appareil à une alimentation électrique négative de 12 Vcc avec mise à la terre.
- N'utilisez pas vos propres vis. N'utilisez que les vis fournies. L'utilisation de vis non appropriées risque d'endommager l'appareil.
- Si l'allumage de votre véhicule ne possède pas de position ACC, branchez les câbles d'allumage à une source d'alimentation que la clé de contact peut allumer ou éteindre. Si vous branchez le câble d'allumage à une source d'alimentation à tension constante comme les câbles de la batterie, il se peut que la batterie se décharge.
- Si la console est dotée d'un couvercle, veillez à installer l'appareil de sorte que la façade ne heurte pas le couvercle quand elle s'ouvre ou se ferme.
- Si le fusible saute, vérifiez d'abord que les câbles ne se touchent pas afin d'éviter tout court-circuit, puis remplacez l'ancien fusible par un nouveau fusible de même puissance.
- Isolez les câbles non connectés avec un ruban vinyl, ou tout autre matériau similaire. Pour éviter tout court-circuit, ne retirez pas les capuchons placés aux extrémités des câbles non connectés ou des bornes.
- Fixez les fils à l'aide de colliers et enroulez le ruban de vinyle autour des fils qui entre en contact avec les parties métalliques afin de protéger les fils et éviter tout court-circuit.
- Branchez correctement les câbles de l'enceinte aux bornes correspondantes. L'appareil peut subir des dommages et ne plus fonctionner si vous partagez les fils \ominus ou les mettez à la masse avec une partie métallique du véhicule.

- Si seulement deux enceintes sont branchées au système, branchez les connecteurs soit aux bornes de sortie avant soit aux bornes de sortie arrière (ne pas mélanger les bornes de sortie avant et arrière). Par exemple, si vous connectez le connecteur \oplus de l'enceinte gauche à une borne de sortie avant, ne connectez pas le connecteur \ominus à une borne de sortie arrière.
- Une fois l'appareil installé, vérifiez que les feux de freinage, les clignotants et les essuie-glace, etc. du véhicule fonctionnent correctement.
- Il se peut que la réception soit mauvaise si des objets métalliques se trouvent à proximité de l'antenne Bluetooth.



Antenne Bluetooth

■ Accessoires fournis pour l'installation

①		x1	②		x1
③		x1	④		x4
⑤		x8	⑥		x2
⑦		x1	⑧		x1

■ Procédure d'installation

- 1) Pour éviter les courts-circuits, retirez la clé de contact, puis débranchez la borne \ominus de la batterie.
- 2) Veillez à effectuer correctement les connexions des câbles d'entrée et de sortie pour chaque appareil.
- 3) Branchez le câble sur le faisceau de fils.
- 4) Branchez les fils du faisceau de câblage dans l'ordre suivant : masse, batterie, contact.
- 5) Branchez le connecteur du faisceau de fils sur l'appareil.
- 6) Installez l'appareil dans votre véhicule.
- 7) Reconnectez la borne \ominus de la batterie.

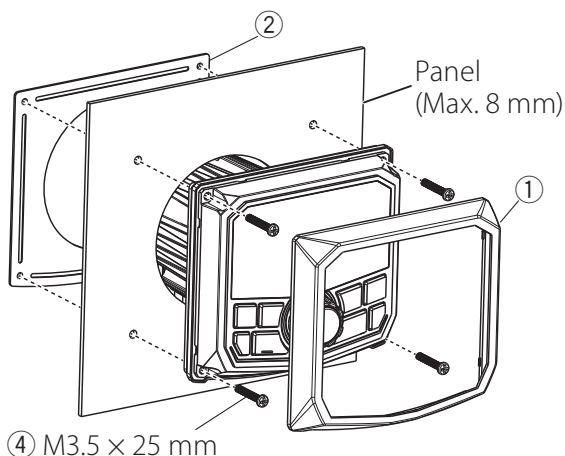
Installation

Installation de l'appareil

■ Montage (à l'aide de la platine de montage)

Pour monter l'appareil, vous devez trouver une surface plane avec suffisamment d'espace dégagé à l'arrière pour l'appareil et tous ses câblages nécessaires.

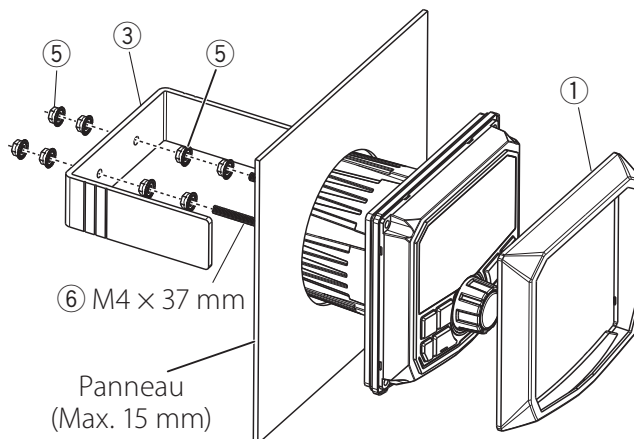
- 1) Une fois que vous avez déterminé un emplacement de montage, vous devrez découper un trou circulaire d'un diamètre de 77 mm (3 pouces).
- 2) Une fois que le trou est découpé, faites glisser l'appareil à travers le trou.
- 3) Faites glisser la plaque de montage (accessoire ②) sur l'arrière de l'appareil et serrez avec les vis fournies (accessoire ④).
- 4) Appuyez sur la plaque de finition (accessoire ①) sur la face avant de l'appareil.
- 5) Branchez tous les faisceaux de fils et de câbles. Reportez-vous au schéma de câblage pour les types de connexion du faisceau de câbles.



■ Montage (avec support en U)

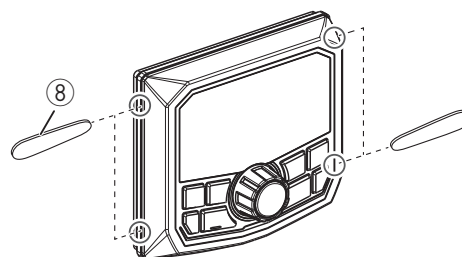
Pour monter l'appareil, vous devez trouver une surface plane avec suffisamment d'espace dégagé à l'arrière pour l'appareil et tous ses câblages nécessaires.

- 1) Fixez la vis à l'aide de l'écrou (accessoire ⑥) à l'arrière de l'appareil.
- 2) Une fois que vous avez déterminé un emplacement de montage, vous devrez découper un trou circulaire d'un diamètre de 77 mm (3 pouces).
- 3) Une fois que le trou est découpé, faites glisser l'appareil à travers le trou.
- 4) Prenez le support (accessoire ③) et faites glisser les deux tourillons à l'arrière de l'appareil. Vissez fermement avec les écrous fournis (accessoire ⑤).
- 5) Appuyez sur la plaque de finition (accessoire ①) sur la face avant de l'appareil.
- 6) Branchez tous les faisceaux de fils et de câbles. Reportez-vous au schéma de câblage pour les types de connexion du faisceau de câbles.

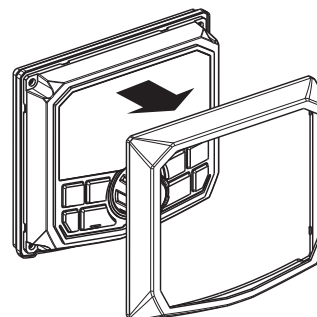


■ Retrait de la plaque de garniture

- 1) Utilisez la clé d'extraction (accessoire ⑧) pour sortir les quatre languettes (deux sur la partie gauche, deux sur la partie droite) en effectuant un mouvement de levier.

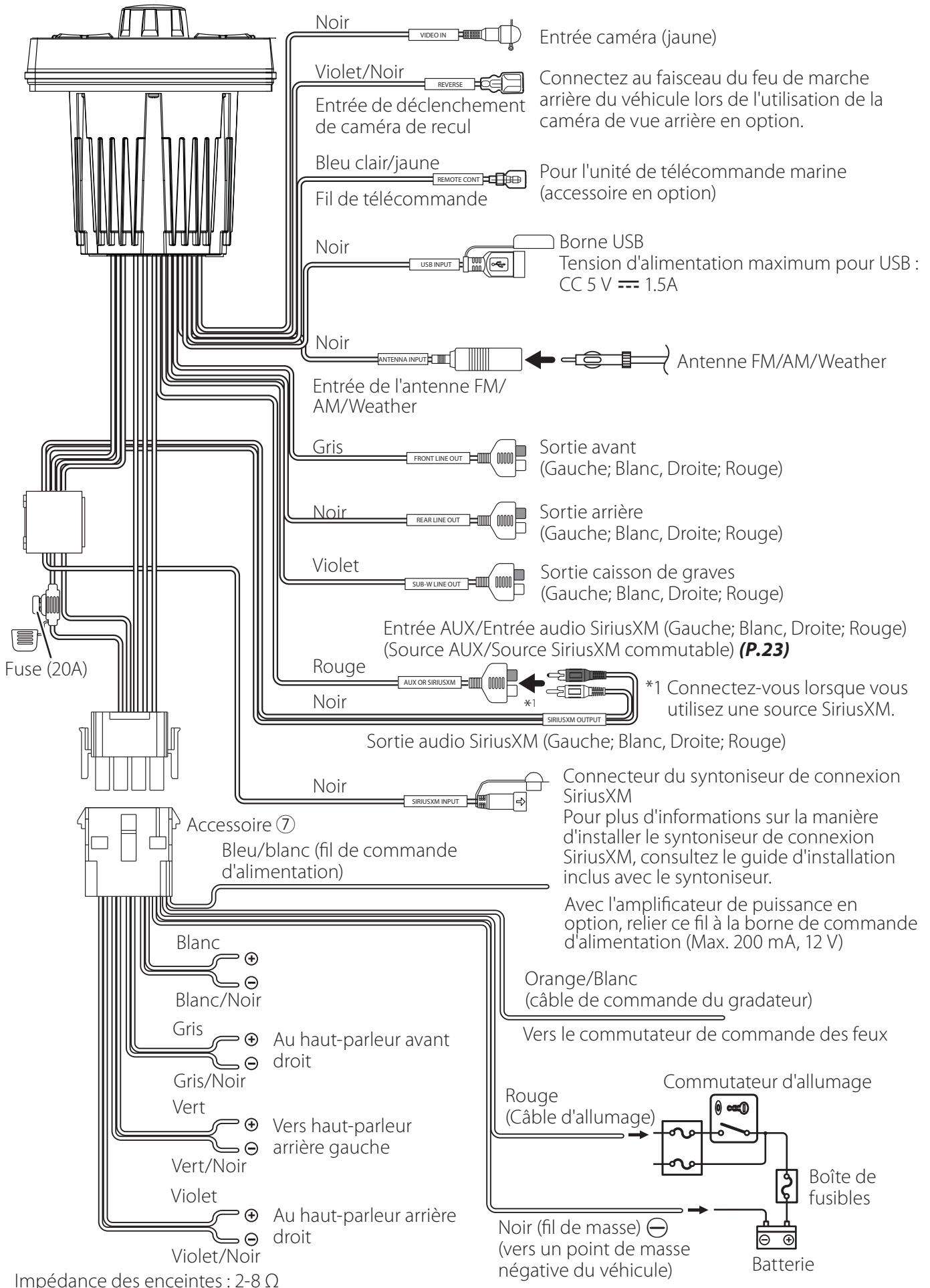


- 2) Tirer la plaque de garniture vers l'avant.



Installation

Connexion des câbles sur les contacts électriques



À propos de cet appareil

Entretien

Nettoyage de l'appareil

Si la façade de l'appareil est tachée, essuyez-la avec un chiffon doux et sec, tel qu'un chiffon siliconé. Si la façade est très sale, essuyez-la avec un chiffon imbibé d'un produit de nettoyage neutre, puis essuyez-la à nouveau avec un chiffon doux et sec propre.

⚠ ATTENTION

- La pulvérisation directe de produit de nettoyage sur l'appareil risque d'endommager les pièces mécaniques. Si vous nettoyez la façade avec un chiffon trop rugueux ou un liquide volatil, comme un solvant ou de l'alcool, vous risquez d'en rayer la surface ou d'effacer les caractères sérigraphiés.

Plus d'informations

Périphérique USB utilisable

Cet appareil peut lire des documents de format MP3/ WMA/ FLAC/AAC stockés dans un périphérique USB à grande capacité de mémoire.

- Système de fichier: FAT16,FAT32,exFAT
- Cet appareil peut reconnaître un total de 999 fichiers et 255 dossiers (un maximum de 999 fichiers par dossier).
- Nombre maximum de caractères :
 - Nom de dossier : 24 caractères
 - Nom de fichier : 24 caractères
 - Marqueur : 30 (Titre)/ 30 (Artiste/ Album) caractères

REMARQUE

- Quand la périphérique USB est connectée à cet appareil, elle peut être chargée avec le câble USB.
- Installer la périphérique USB de façon à ce que cela ne vous empêche pas de conduire prudemment.
- Vous ne pouvez pas connecter de périphérique USB au moyen d'un hub USB et d'un lecteur multi-cartes.
- Faites des sauvegardes des fichiers audio utilisés avec cet appareil. Les fichiers peuvent être effacés en fonction des conditions de fonctionnement du périphérique USB.
Nous ne proposons pas d'indemnités pour les pertes dues à l'effacement de données.
- Aucun périphérique USB n'est fourni avec cet appareil. Vous devez acheter un périphérique USB disponible dans le commerce.
- Fermer le port USB quand il n'est pas utilisé.

Fichiers audio lisibles

Format audio	Débit binaire/ (Compte de bits)	Fréquence d'échantillonnage
MP3 (.mp3)	32 – 384kbps, VBR	16 – 48 kHz
WMA (.wma)	32 – 320kbps	32 – 48 kHz
FLAC (.flac)	(16 - 24 bit)	8 – 48 kHz
AAC-LC (.m4a)	16 – 320kbps	16 – 48 kHz

- Cette unité peut montrer ID3 Tag Version 1.0/1.1/2.2/2.3/2.4 (pour MP3).
- Nombre maximum de caractères :
 - Marqueur : 30 (Titre)/ 30 (Artiste/ Album) caractères

REMARQUE

- Les formats WMA/AAC qui sont protégés par DRM ne peuvent pas être lus.
- Bien que les fichiers audio soient conformes aux normes susmentionnées, la lecture peut se révéler impossible en fonction des types et conditions du support ou du périphérique.

Dépannage

Ce qui semble être difficile n'est pas toujours sérieux. Vérifier les points suivants avant d'appeler le service après-vente.

- Pour des opérations avec les composants externes, se référer également aux instructions fournies avec les adaptateurs utilisés pour les connexions (ainsi que les instructions fournies avec les composants externes).

Général

Aucun son ne sort des haut-parleurs.

- Ajuster le volume au niveau optimal.
- Vérifier les cordons et les branchements.

La télécommande ne fonctionne pas.

- Vérifiez le câblage de la télécommande.

USB

Lors de la lecture de d'une piste, le son est parfois interrompu.

- Les pistes ne sont pas correctement copiées sur le périphérique USB. Copier les pistes de nouveau, et réessayer.

À propos de cet appareil

iPhone

Aucun son ne sort des haut-parleurs.

- Débrancher l'iPhone, puis reconnecter à nouveau.
- Sélectionner une autre source, puis resélectionner « iPhone ».

L'iPhone ne s'allume pas ou ne fonctionne pas.

- Vérifier le câble de connexion et sa connexion.
- Mettez à jour la version du micrologiciel de l'iPhone.
- Chargez la batterie de l'iPhone.
- Réinitialiser l'iPhone.

Le son est déformé.

- Désactiver l'égalisateur sur l'appareil ainsi que sur l'iPhone.

Beaucoup de bruit est généré.

- Éteindre (décocher) « VoiceOver » (Voix Off) sur l'iPhone. Pour plus de détails, voir <<https://www.apple.com>>.

Radio

Le préséglage automatique ne fonctionne pas.

- Mémoriser les stations manuellement. (P.27)

Bruit statique pendant l'écoute de la radio.

- Connecter l'antenne fermement.

Bluetooth

Le son est interrompu ou saute lors de l'utilisation d'un lecteur audio Bluetooth.

- Réduire la distance entre l'appareil et le lecteur audio Bluetooth.
- Éteindre, puis allumer l'appareil. (Avant que le son soit restauré) connecter de nouveau le lecteur.

Le lecteur audio connecté ne peut pas être contrôlé.

- Vérifier les supports connectés AVRCP (Profil de la télécommande Audio/Vidéo) du lecteur audio.

Le périphérique Bluetooth ne détecte pas l'appareil.

- Assurez-vous que la découverte disponible est activée dans les paramètres Bluetooth.

L'appareil ne se couple pas avec le périphérique Bluetooth.

- Éteindre, puis allumer le périphérique Bluetooth.
- Déconnecter le périphérique Bluetooth actuellement connecté, puis enregistrer le nouveau périphérique (P.31)

SiriusXM

“No Signal” apparaît.

- Assurez-vous que votre antenne SiriusXM Satellite Radio est montée à l'extérieure du véhicule. Déplacez la voiture dans un endroit avec une vue dégagée sur le ciel.

“Check Antenna” apparaît.

- Vérifiez la connexion de l'antenne SiriusXM Satellite Radio et assurez-vous qu'elle est fixée correctement au radio.
- Vérifiez le câble d'antenne SiriusXM Satellite Radio pour voir s'il est tordu ou cassé. Si elle est endommagée, remplacez toute l'antenne.

“Check radio” apparaît.

- Assurez-vous que le radio SiriusXM Connect Vehicle est connecté à l'appareil.

“Channel Not Available” apparaît.

- Le canal choisi n'est plus disponible. Choisissez un autre canal ou continuez d'écouter le canal précédent.

“Channel Not Subscribed” apparaît.

Il n'y a pas d'abonnement au canal actuellement sélectionné.

- Aux États-Unis, rendez-vous sur www.siriusxm.com ou appelez le 1-866-635-2349 si vous avez des questions concernant votre formule d'abonnement ou si vous souhaitez vous inscrire à ce canal.
- Au Canada, rendez-vous sur www.siriusxm.ca ou appelez le 1-877-438-9677.

“Subscription Updated” apparaît.

- Votre abonnement a été mis à jour. Appuyez sur la touche appropriée pour continuer.

“Channel Locked” apparaît.

- Le canal choisi a été verrouillé par les contrôles parentaux. Entrez le code de déverrouillage quand on vous le demande

À propos de cet appareil

Specifications

■ Imperméable

- : IP66 Plaque frontale
- : IPX4 corps
- (équivalent à la norme IEC, publication 60529)

■ Section moniteur

- Taille de l'image
- : 2,7 pouces TFT couleur

Rétroéclairage

- : LED

■ Section interface USB

Norme USB

- : USB 2.0 (Pleine vitesse)

Périphériques compatibles

- : Mémoire de grande capacité

Système de fichiers

- : FAT16, FAT32, exFAT

Tension nominale

- : Capacité maximale de 32 Go, maximum de 255 dossiers, maximum de 999 fichiers par dossier

Courant d'alimentation maximum

- : CC 5 V  1.5A

Réponse en fréquence

- : 20 – 20 000 Hz

Décodeur Audio

- : MP3/ WMA/ AAC/ FLAC

■ Section Bluetooth

Technologie

- : Bluetooth 5.0

Fréquence

- : 2.4 GHz – 2.48 GHz

Portée de communication maximale

- : Ligne de vue approximative 10 m (32,8 pieds)

Appariement

- : SSP (Secure Simple Pairing)

Profil

- A2DP (Profil de distribution audio avancée)
- AVRCP (V1.5) (Profil de télécommande audio/ vidéo)

■ Section Syntoniseur FM

Bande de fréquences (step)

- Amérique du Nord : 87,9 MHz – 107,9 MHz (200 kHz)
- Amérique du Sud, Europe, Russie, Asie, Moyen-Orient, Australie : 87,5 MHz – 108 MHz (50 kHz)
- Japon : 76,0 MHz – 99,0 MHz (100 kHz)

■ Section Syntoniseur AM

Bande de fréquences (step)

- Amérique du Nord, Amérique du Sud : 530 kHz – 1 700 kHz (10 kHz)
- Europe, Russie, Asie : 531 kHz – 1 611 kHz (9 kHz)
- Japon : 522 kHz – 1 629 kHz (pas de 9 kHz)
- Moyen-Orient : 531 kHz – 1 602 kHz (9 kHz)
- Australie : 531 kHz – 1 701 kHz (9 kHz)

■ Section du syntoniseur Weather Band

Bande de fréquences (step)

- USA/Canada : 162,400 MHz – 162,550 MHz (25 kHz)

■ Equalizer

Bande

- : 13 Band

Fréquence

- : 62.5/100/160/250/400/630/1k/1.6k/2.5k/4k/6.3k/10k/16kHz

Gain

- : -9 — +9 (-9 dB — +9 dB)

■ Section audio

Puissance maximale

- : 34 W × 4 (@ 4 Ω, pic), 50 W × 4 (@ 2 Ω, pic)

Puissance à pleine bande passante (1% THD)

- : 19 W × 4 (@ 4 Ω, RMS), 28 W × 4 (@ 2 Ω, RMS)

Niveau du pré-amplificateur/Charge

KMR-M300BT

- : 2000 mV/ 10 kΩ (USB)

KMR-XM500

- : 5000 mV/ 10 kΩ (USB)

Impédance du préamplificateur

- : ≤500 Ω

Impédance d'enceinte

- : 2 – 8 Ω

À propos de cet appareil

■ Général

Tension de fonctionnement

: batterie de voiture 12 V CC

Dimensions d'installation

Panneau (L x H)

: 115 x 106 mm

4-9/16 x 4-3/16 pouces

Boîtier (L x H x P)

: Ø77 x Ø77 x 74 mm

Ø3-1/16 x Ø3-1/16 x 2-15/16 pouces

Poids

: 0,9 kg (2,0 lbs)

Copyrights

- La marque et les logos Bluetooth® sont des marques déposées appartenant à Bluetooth SIG, Inc. et toute utilisation de ces marques par JVCKENWOOD Corporation est sous licence. Les autres marques déposées et appellations commerciales
- Use of the Made for Apple badge means that an accessory has been designed to connect specifically to the Apple product(s) identified in the badge, and has been certified by the developer to meet Apple performance standards. Apple is not responsible for the operation of this device or its compliance with safety and regulatory standards. Please note that the use of this accessory with an Apple product may affect wireless performance.
- Apple, iPhone and Lightning are trademarks of Apple Inc., registered in the U.S. and other countries.
- Microsoft and Windows Media are either registered trademarks or trademarks of Microsoft Corporation in the United States and/or other countries.
- Sirius, XM and all related marks and logos are trademarks of Sirius XM Radio Inc. All rights reserved

REMARQUE

- Bien que les pixels du panneau à cristaux liquides soient effectifs à 99,99 % ou plus, il se peut que 0,01 % des pixels ne s'éclaire pas ou s'éclaire mal.
- Les spécifications sont sujettes à changements sans notification.

À propos de cet appareil

■ Attention de 'ISED

L'émetteur/récepteur exempt de licence contenu dans le présent appareil est conforme aux CNR d'Innovation, Sciences et Développement économique Canada applicables aux appareils radio exempts de licence. L'exploitation est autorisée aux deux conditions suivantes :

- (1) L'appareil ne doit pas produire de brouillage.
- (2) L'appareil doit accepter tout brouillage radioélectrique subi, même si le brouillage est susceptible d'en compromettre le fonctionnement.

▲ ATTENTION

Cet équipement est conforme aux limites d'exposition aux rayonnements énoncées pour un environnement non contrôlé et respecte les règles radioélectriques (RF) de la FCC lignes directrices d'exposition et d'exposition aux fréquences radioélectriques (RF) CNR-102 de l'ISED. Cet équipement doit être installé et utilisé en gardant une distance de 20 cm ou plus entre le radiateur et le corps humain.

Pour l'Argentine

■ Información acerca de la eliminación de equipos eléctricos y electrónicos al final de la vida útil (aplicable a los países que hayan adoptado sistemas independientes de recogida de residuos)



Los productos con el símbolo de un contenedor con ruedas tachado no podrán ser desechados como residuos domésticos.

Los equipos eléctricos y electrónicos al final de la vida útil, deberán ser reciclados en instalaciones que puedan dar el tratamiento adecuado a estos productos y a sus subproductos residuales correspondientes. Pongase en contacto con su administración local para obtener información sobre el punto de recogida más cercano.

Un tratamiento correcto del reciclaje y la eliminación de residuos ayuda a conservar los recursos y evita al mismo tiempo efectos perjudiciales en la salud y el medio ambiente.

Au Mexique

■ Para cumplimiento de la IFT:

La operación de este equipo está sujeta a las siguientes dos condiciones:

- (1) es posible que este equipo o dispositivo no cause interferencia perjudicial y
- (2) este equipo o dispositivo debe aceptar cualquier interferencia, incluyendo la que pueda causar su operación no deseada.

Contenido

Antes de la utilización	42
Cómo leer este manual	42
Precauciones	42
Inicio	43
Configuración de los ajustes generales	43
Conceptos básicos	44
Funciones habituales	44
Seleccionar una fuente	44
USB	45
Preparativos	45
Operaciones de reproducción	45
Ajustes de las funciones	45
iPhone	46
Preparativos	46
Operaciones de reproducción	46
Ajustes de las funciones	46
Sintonizador	47
Funcionamiento básico del sintonizador	47
Ajustes de las funciones	47
SiriusXM®	48
Activación de la suscripción	48
NOTA	48
Funcionamiento básico de SiriusXM®	48
Ajustes de las funciones	49
Control parental	49
Restablecimiento de los valores predeterminados	50
Componentes externos	50
Uso de reproductores de audio externos	50
Cámara	50
Teléfono inteligente con Bluetooth®	51
Registre su teléfono inteligente en la unidad	51
Reproducir dispositivos de audio Bluetooth	51
Ajustes de las funciones	51
Configuración	52
Ajustes	52
Mando a distancia	53
Funciones de los botones del mando a distancia	53
Instalación	54
Antes de la instalación	54
Instalación de la unidad	55
Acerca de esta unidad	57
Mantenimiento	57
Más información	57
Resolución de problemas	57
Especificaciones	59
Derechos de autor	60

Antes de la utilización

Cómo leer este manual

- Los paneles que se incluyen en este manual son ejemplos utilizados para ofrecer explicaciones de las distintas operaciones. Por esta razón, pueden diferir de los paneles que se visualizan en realidad.
- En los procedimientos operativos, las llaves indican el elemento que debe emplear.
[]: Indica el menú o los elementos seleccionados.
< >: indica el nombre de los botones del panel.



Este símbolo en el producto indica que hay importantes instrucciones de funcionamiento y mantenimiento en este manual. Asegúrese de leer atentamente las instrucciones de este manual.

Precauciones

⚠ ADVERTENCIA

■ Para evitar lesiones o incendios, tome las precauciones siguientes:

- Para evitar un cortocircuito, nunca coloque ni deje objetos metálicos (como monedas o herramientas metálicas) dentro de la unidad.
- No mire fijamente la pantalla de la unidad mientras está conduciendo durante un periodo prolongado de tiempo.
- Si tiene problemas durante la instalación, consulte con su distribuidor KENWOOD

■ Precauciones para el uso de esta unidad

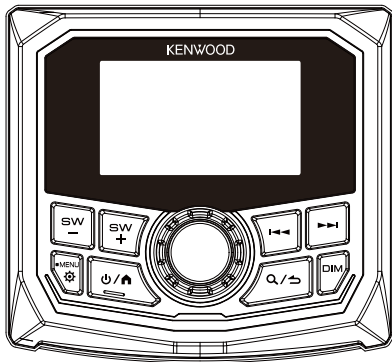
- Cuando compre accesorios opcionales, pregunte a su distribuidor KENWOOD si dichos accesorios son compatibles con su modelo y en su región.
- Puedes elegir un idioma para mostrar los menús, las etiquetas de los archivos de audio, etc.
Configuración de los ajustes generales (P.43)
- La función Radio Data System o Radio Broadcast Data System no funcionará en lugares donde no existan emisoras compatibles con este servicio.

■ Cómo proteger el monitor

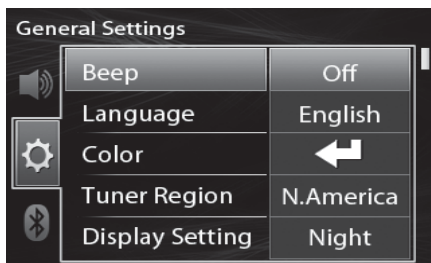
- Para proteger el monitor de posibles daños, no lo utilice con un bolígrafo con punta de bola o una herramienta similar con una punta afilada.

Inicio

Configuración de los ajustes generales



- 1 Pulse **<P>/<A>** para encender la alimentación.
- 2 Mantenga **<G>** pulsado para visualizar los ajustes.



- 3 Pulse **<L>/<R>** para seleccionar **[G]** (Ajustes generales).
- 4 Gire el mando del volumen para seleccionar un elemento (véase la tabla siguiente) y, a continuación, pulse el mando.
- 5 Repita el paso 4 hasta que el elemento deseado se seleccione/active o siga las instrucciones indicadas en el elemento seleccionado.
- 6 Pulse **<Q>/<S>**.

Beep

Active o desactive el tono de teclas.
"ON" (Predeterminado), "OFF"

Language

Seleccione el idioma utilizado para controlar las pantallas y los ajustes. El idioma predeterminado es el inglés.

Color

Puedes configurar el color de iluminación de los **USER** y seleccionar el usuario. "LIGHTBLUE" (KMR-XM500 Defecto) / "USER" (KMR-M300BT Defecto).

Los colores preestablecidos son los siguientes:

Variable, RED1,RED2,RED3,
PURPLE1,PURPLE2,PURPLE3,PURPLE4,
BLUE1,BLUE2,BLUE3,SKYBLUE1,
SKYBLUE2,LIGHTBLUE,AQUA1,AQUA2,
GREEN1, GREEN2,GREEN3,YELLOW
GREEN1,YELLOW GREEN2,YELLOW,
ORANGE1,ORANGE2,ORANGE RED, USER



- Para crear su propio color, seleccione **USER**.
- El color que ha hecho se almacenará en **USER**.
1. Presione la perilla de volumen para ingresar a la interfaz detallada de ajuste de color.
 2. Presione la perilla de volumen y seleccione el color (**[R]** /**[G]**/**[B]**) para ajustar.
 3. Gire la perilla de volumen para ajustar el volumen (**[0]** a **[9]**), y luego presione la perilla.

Tuner Region

N.America (predeterminado): Para América del Norte, intervalos AM/FM: 10 kHz/200 kHz

S.America: Para América Central/Sur, intervalos AM/FM: 10 kHz/50 kHz

Eur/Rus/Asia: Para Europa, Rusia y Asia, intervalos AM/FM: 9 kHz/50 kHz.

Japan: Para Japón, intervalos AM/FM: 9 kHz/100 kHz.

M.East: Para Oriente Medio, intervalos AM/FM: 9 kHz/50 kHz.

Aust.: Para Australia, intervalos AM/FM: 9 kHz/50 kHz.

Display Setting

Puede cambiar el diseño de la pantalla.
"Night" (predeterminado), "Auto", "Day"

AUX Input

SiriusXM (predeterminado): Ajuste en **[SiriusXM]** al conectar el sintonizador de radio satelital SiriusXM®.

AUX: Ajuste en **[AUX]** al conectar el reproductor de audio portátil.

Source Gain

Ajuste con precisión el volumen de la fuente actual para minimizar la diferencia de volumen entre distintas fuentes.

"-3dB" - "0dB" (predeterminado) - "3dB"

Global Input: "-18dB" - "0dB" (predeterminado)

Int. Amplifier

Seleccionar "OFF" apaga el amplificador integrado. Apagar el amplificador integrado mejora la calidad del sonido de la salida previa.
"ON" (Predeterminado), "OFF"

Voltage Gauge

Muestra el medidor de voltaje.

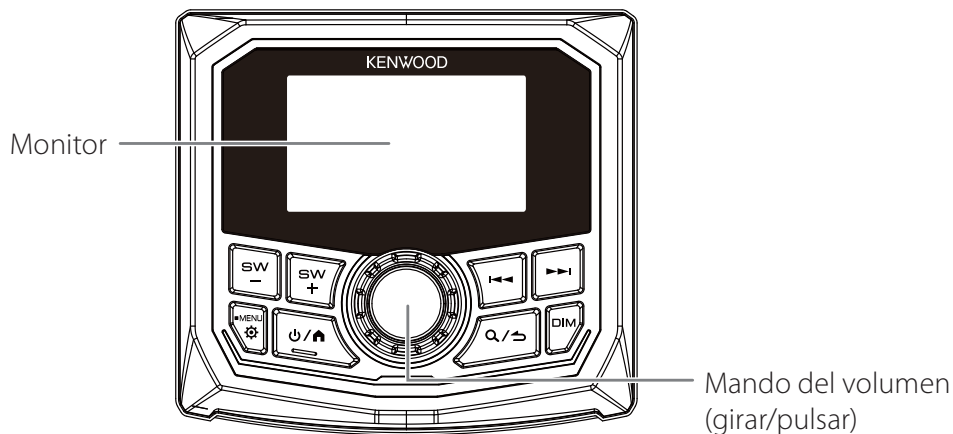
Information

Ver todos los detalles del sistema

Factory Reset

Seleccione **[Audio]**, **[System]**, o **[SiriusXM]** y después seleccione **[Yes]** para establecer todos los ajustes en los ajustes iniciales predeterminados.

Conceptos básicos



Funciones habituales

Encendido

1 Pulse <⏻/🏠>.

Apagado

1 Mantener <⏻/🏠> pulsado.

Ajuste del volumen

1 Gire el mando del volumen.

Silencia el sonido o reproduce/pausa

1 Pulse el mando del volumen.

- Sintonizador/AUX
 - aparece cuando la función de silenciamiento está activa.
 - Para restaurar el sonido, pulse de nuevo o ajuste el volumen.
- USB/iPhone/SiriusXM
 - Inicia la reproducción o hace una pausa.

Seleccionar el modo de atenuación

1 Pulse el botón <DIM>.
Atenuador, apagado

Seleccionar una fuente

1 Pulse <⏻/🏠> para visualizar la pantalla HOME (inicio).

Aparece la pantalla INICIO.

2 Gire el mando del volumen para seleccionar la fuente y, a continuación, pulse el mando.



Cambia a la emisión del sintonizador de FM. **(P.47)**



Cambia a la emisión del sintonizador de AM. **(P.47)**



Cambia a la emisión del sintonizador WB (Weather Band). **(P.47)**



[USB]
Reproduce archivos en un dispositivo USB. **(P.45)**



[iPhone]
Reproduce un iPhone. **(P.46)**
Cuando está conectado un iPhone.



Reproduce un reproductor de audio Bluetooth. **(P.51)**



[SiriusXM]
Cambia a la transmisión de radio satelital SiriusXM®. **(P.48)**



[AUX]
Cambia a un componente externo conectado a la terminal de entrada AUX. **(P.50)**



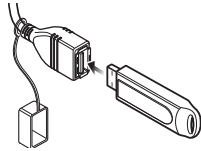
Muestra la pantalla de vista de cámara. **(P.50)**

USB

Preparativos

Conexión de un dispositivo USB

- 1 Conecte el dispositivo USB con el cable USB (vendido por separado).



- Corriente de alimentación máxima del USB: CC 5 V = 1.5A

- 2 Pulse <P>/<H> para visualizar la pantalla HOME (inicio).
- 3 Gire el mando del volumen para seleccionar [USB] y, a continuación, pulse el mando.

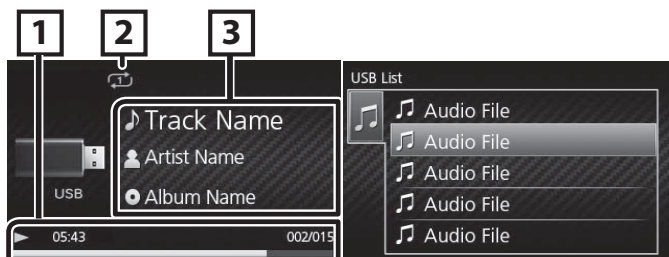
Para desconectar el dispositivo USB

- 1 Pulse <P>/<H> para visualizar la pantalla HOME (inicio).
- 2 Gire el mando del volumen para seleccionar cualquier opción que no sea [USB] y, a continuación, pulse el mando.
- 3 Desconecte el dispositivo USB.

NOTA

- Para los tipos de archivo reproducibles, así como otro tipo de información, consulte (P.57).

Operaciones de reproducción



Pantalla de la fuente

Pantalla de lista

Para	Hacer esto
Reproducir/ pausar	Pulse el mando del volumen.
Seleccionar un archivo	Pulse <I<<<>/>>>> varias veces.
Retroceso rápido/avance rápido	Mantenga <I<<<>/>>>> pulsado.
Carpeta anterior/ siguiente	Mantenga pulsado <SW->/<SW+>.

Pantalla de la fuente

- 1 Estado de reproducción/Tiempo de reproducción
Barra de tiempo de repetición : Para confirmar la posición actual de reproducción.
- 2 : Indicador del modo de reproducción Repetir
 : Indicador del modo de reproducción aleatorio
- 3 Muestra la información del archivo actual.

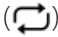
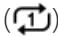

Selección de una pista en una lista (búsqueda de archivo)


- 1 Pulse <Q>/<S> para visualizar la pantalla de lista.
- 2 Gire el mando del volumen para seleccionar la carpeta deseada y, a continuación, pulse el mando.
 - Cuando selecciona una carpeta, se muestran sus contenidos.
- 1 Para regresar al nivel anterior, pulse <Q>/<S>.
- 2 Gire el mando del volumen para seleccionar el elemento deseado y, a continuación, pulse el mando.

Ajustes de las funciones

- 1 Pulse <G> para visualizar el menú de funciones.
- 2 Gire el mando del volumen para seleccionar el elemento que se va a ajustar (véase la tabla siguiente) y, a continuación, pulse el mando para realizar una selección.
- 1 Pulse <Q>/<S>.

Browsing Consulte *Selección de una pista en una lista (P.45)*.

Repeat All: Repite todos los archivos. ()
One: Repite el archivo actual. ()
Folder: Repite todos los archivos en la carpeta actual. ()

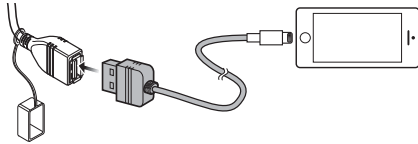
Random Off: Reproducción normal.
Folder: Reproduce aleatoriamente todos los archivos de la carpeta actual. ()

iPhone

Preparativos

Conexión de iPhone

- 1 Se conecta al iPhone usando un cable Lightning-USB (se vende por separado)



- Corriente de alimentación máxima del USB: CC 5 V = 1.5A

- 2 Pulse **<⏻/🏠>** para visualizar la pantalla HOME (inicio).
- 3 Gire el mando del volumen para seleccionar [iPhone] y, a continuación, pulse el mando.

Para desconectar el iPhone

- 1 Pulse **<⏻/🏠>** para visualizar la pantalla HOME (inicio).
- 2 Gire el mando del volumen para seleccionar cualquier opción que no sea [iPhone] y, a continuación, pulse el mando.
- 3 Desconecte el iPhone.

iPhone que pueden conectarse

Los siguientes modelos pueden conectarse a esta unidad.

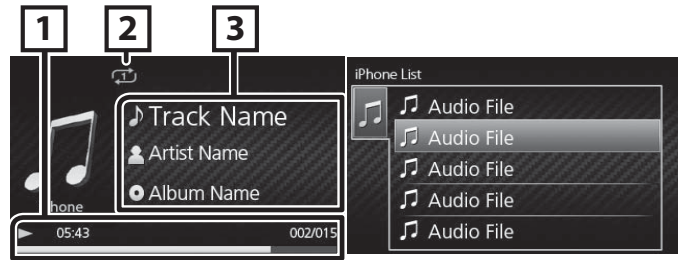
Fabricados para

- iPhone 14 Pro Max
- iPhone 14 Pro
- iPhone 14 Plus
- iPhone 14
- iPhone 13 Pro Max
- iPhone 13 Pro
- iPhone 13
- iPhone 13 mini
- iPhone 12 Pro Max
- iPhone 12 Pro
- iPhone 12
- iPhone 12 mini
- iPhone SE (2nd generation)
- iPhone 11 Pro Max
- iPhone 11 Pro
- iPhone 11
- iPhone XS Max
- iPhone XS
- iPhone XR
- iPhone X
- iPhone 8 Plus
- iPhone 8
- iPhone 7 Plus
- iPhone 7
- iPhone SE
- iPhone 6s Plus
- iPhone 6s
- iPhone 6 Plus
- iPhone 6

NOTA

- Si empieza la reproducción después de conectar el iPhone, se reproducirá primero la música reproducida por el iPhone.

Operaciones de reproducción



Pantalla de la fuente

Pantalla de lista

Para	Hacer esto
Reproducir/pausar	Pulse el mando del volumen.
Seleccionar un archivo	Pulse <◀◀>/<▶▶> varias veces.
Retrosceso rápido/avance rápido	Mantenga <◀◀>/<▶▶> pulsado.

Pantalla de la fuente

- 1 Estado de reproducción/Tiempo de reproducción/Número de archivo
Barra de tiempo de repetición : Para confirmar la posición actual de reproducción.
- 2 : Indicador del modo de reproducción Repetir
 : Indicador del modo de reproducción aleatorio
- 3 Muestra la información del archivo actual.

Seleccione un contenido en una lista

- 1 Pulse **<Q/↵>** para visualizar la pantalla de lista.
- 2 Gire el mando del volumen para seleccionar la categoría y, a continuación, pulse el mando.
• Para regresar al nivel anterior, pulse **<Q/↵>**.
- 3 Gire el mando del volumen para seleccionar el elemento deseado y, a continuación, pulse el mando.

Ajustes de las funciones

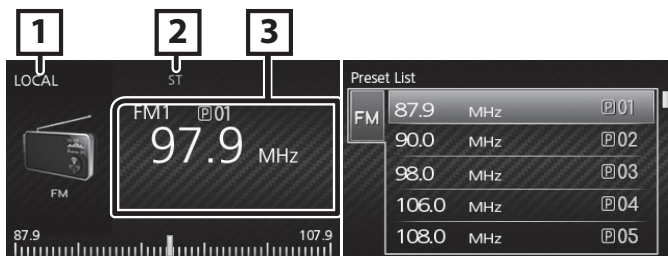
- 1 Pulse **<⚙️>** para visualizar el menú de funciones.
- 2 Gire el mando del volumen para seleccionar el elemento que se va a ajustar (véase la tabla siguiente) y, a continuación, pulse el mando para realizar una selección.
- 3 Pulse **<Q/↵>**.

Browsing	Consulte Seleccione un contenido en una lista (P.46) .
Repeat	All: Repite todos los archivos. () One: Repite el archivo actual. () Off: Repetición desactivada.
Random	Off: Reproducción normal. All: Funciona igual que "Shuffle Songs". ()

Sintonizador

Funcionamiento básico del sintonizador

- 1 Pulse **<U/>** para visualizar la pantalla HOME (inicio).
- 2 Gire el mando del volumen para seleccionar [FM], [AM] o [WB] y, a continuación, pulse el mando.
- 3 Pulse **<I<<>/>>>** para buscar una emisora automáticamente.
Aparece "Auto Seek" (buscar automáticamente).
(o)
Mantenga pulsado el botón **<I<<>/>>>** varias veces para buscar manualmente una emisora.
Aparece "Manual Seek" (buscar manualmente).



Pantalla de la fuente

Pantalla de lista

NOTA

- El indicador **ST** se enciende al recibir una radiodifusión FM estéreo con una intensidad de señal suficientemente potente.
- Para memorizar emisoras, ejecute **[Add Presets]** o **[Auto Store]**.
- Para seleccionar una emisora almacenada: Mantenga pulsado **<SW->/<SW+>**.

Pantalla de la fuente

- 1 Indicador LOCAL
- 2 Indicador ST (estéreo)
- 3 Muestra información sobre la emisora actual: Nombre PS, Frecuencia, Género PTY, Elementos del indicador

Seleccione una emisora almacenada de la banda actual

Se pueden preajustar 6 emisoras para la banda actual (FM1/FM2/FM3/AM1/AM2/WB).

- 1 Pulse **<Q/>** para visualizar la pantalla de lista.
- 2 Gire el mando del volumen para seleccionar un número programado y, a continuación, pulse el mando.

NOTA

- Para salir, pulse **<Q/>**.

Ajustes de las funciones

- 1 Pulse **<Q/>** para visualizar el menú de funciones.
- 2 Gire el mando del volumen para seleccionar el elemento que se va a ajustar (véase la tabla siguiente) y, a continuación, pulse el mando para realizar una selección.

1 Pulse **<Q/>**.

Add Presets	Guarda una emisora manualmente en la banda actual. Mientras escucha una emisora que desea almacenar, gire el mando del volumen para seleccionar un número programado y, a continuación, pulse el mando.
Remove Presets	Elimina una emisora almacenada en la banda actual. Gire el mando del volumen para seleccionar un número programado y, a continuación, pulse el mando.
FM *1	Seleccione la banda predefinida (FM1/FM2/FM3).
AM *2	Seleccione la banda predefinida (AM1/AM2).
Auto Store *1*2	Busca y guarda automáticamente las 6 emisoras con las señales más fuertes de la banda seleccionada. <ul style="list-style-type: none">• Aparece "Auto Store" (guardar automáticamente).
Local *1*2	Sintoniza solo las emisoras con una fuerza de señal suficiente. (Se ilumina el indicador LOCAL). "ON", "OFF" (predeterminado)
RBDS *1	ON (predeterminado): Activa las funciones del sistema de datos de radioemisión FM. OFF: Desactiva la función.

*1 Solo FM

*2 Solo AM

SiriusXM® es el único capaz de ofrecerle más de lo que desea escuchar, todo en un solo lugar. Consiga más de 140 canales, incluyendo música sin anuncios y los mejores deportes, noticias, tertulias, comedias y entretenimiento. Bienvenido al mundo de la radio satelital. Serán necesarios un sintonizador SiriusXM Connect y una suscripción. Para obtener más información, visite www.siriusxm.com.

Activación de la suscripción

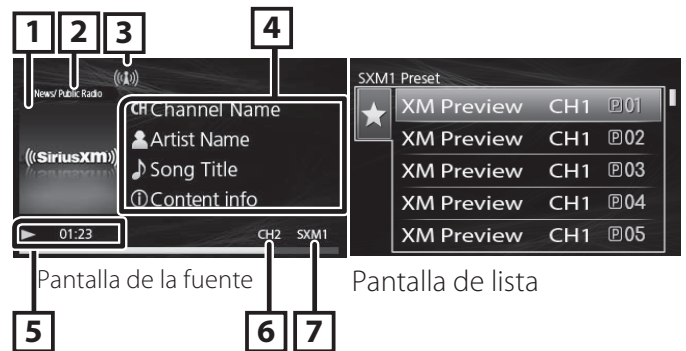
- Compruebe el ID de su radio.
El ID de la radio satelital SiriusXM será necesario para la activación y podrá encontrarlo sintonizando el canal 0 así como en la etiqueta del sintonizador SiriusXM Connect y en su envoltorio. El ID de la radio no incluye las letras I, O, S ni F.
- Active el sintonizador SiriusXM Connect utilizando uno de los siguientes dos métodos:
 - Para los usuarios de EE. UU.
En línea: Visite www.siriusxm.com/activatenow
Teléfono: Contacte con el centro de atención al cliente de SiriusXM en el 1-866-635-2349
 - Para los usuarios en Canadá:
En línea: Visite: www.siriusxm.ca/activate
Teléfono: Contacte con el centro de atención al cliente de XM 1-888-539-7474

NOTA

- Para utilizar la radio satelital SiriusXM®, se requiere el accesorio opcional. "Accesorios suministrados para la instalación" (P.54)
- Para seleccionar la fuente SiriusXM, es necesario ajustar "AUX Input" en "SiriusXM" en [General Settings]. (P.43).

Funcionamiento básico de SiriusXM®

- 1 Pulse **<U>/<A>** para visualizar la pantalla HOME (inicio).
- 2 Gire el mando del volumen para seleccionar [SiriusXM] y, a continuación, pulse el mando.
- 3 Pulse **<>G** para visualizar el menú de funciones.
- 4 Gire el mando del volumen para seleccionar [CATEGORY], y, a continuación, pulse el mando.
- 5 Gire el mando del volumen para seleccionar una categoría y, a continuación, pulse el mando.
- 6 Gire el mando del volumen para seleccionar un canal y, a continuación, pulse el mando.
- 7 Pulse **<|<<<>/>>>|>** para buscar un canal de forma manual.
 - Mantenga pulsado **<|<<<>/>>>|>** para cambiar rápidamente el canal.



NOTA

- Para seleccionar una emisora almacenada: Pulse **<Q/>**.

Pantalla de la fuente

1	Art de l'album
2	Nom de la catégorie
3	Indicación de intensidad de la señal
4	Visualiza la información del canal actual: Nombre de canal, nombre de artista, título de canción, información de contenido
5	Rejouer
6	Numéro du canal
7	Bande Sirius XM

Seleccionar un canal almacenado de la banda actual

Se pueden preajustar 6 canales para la banda actual (SXM1/SXM2/SXM3).

- 1 Pulse **<>Q/>** para visualizar la pantalla de lista.
- 2 Gire el mando del volumen para seleccionar un número programado y, a continuación, pulse el mando.

NOTA

- Para salir, pulse **<Q/>**.

Sintonización de acceso directo

Puede sintonizar un canal directamente.

- 1 Pulse **<G>** para visualizar el menú de funciones.
- 2 Gire el mando del volumen para seleccionar [Direct Tuning] y, a continuación, pulse el mando.
- 3 Gire el mando del volumen para seleccionar la posición de entrada y, a continuación, pulse el mando.
- 4 Gire el mando del volumen para seleccionar un número y, a continuación, pulse el mando.
- 5 Repita los pasos 3 y 4 hasta que se haya completado el número de canal.

Repetición

1 Pulse el mando del volumen.

Para	Hacer esto
Reproducir/ pausar	Pulse el mando del volumen.
Seleccionar un archivo	Pulse <◀◀>/<▶▶> varias veces.
Retroceso rápido/avance rápido	Mantenga <◀◀>/<▶▶> pulsado.

Para regresar a música en vivo/contenido

- 1 Pulse <⚙> para mostrar el menú de funciones.
- 2 Gire el botón de volumen para seleccionar [Jump to Live] y púselo.

Ajustes de las funciones

- 1 Pulse <⚙> para visualizar el menú de funciones.
- 2 Gire el mando del volumen para seleccionar el elemento que se va a ajustar (véase la tabla siguiente) y, a continuación, pulse el mando para realizar una selección.
- 3 Pulse <Q/↵>.

SXM	Seleccione la banda predefinida (SXM1/SXM2/SXM3).
Add Presets	Almacena un canal manualmente en la banda actual. Mientras escucha un canal que desea almacenar, gire el mando del volumen para seleccionar un número programado y, a continuación, pulse el mando.
Remove Presets	Elimine un canal almacenado en la banda actual. Gire el mando del volumen para seleccionar un número programado y, a continuación, pulse el mando.
Channel	Muestra una lista completa de los canales. • Para cambiar la información que se muestra en la lista (nombre de canal/nombre de artista/información de contenido/catégorie), pulse <◀◀>/<▶▶> .
Category	Puede especificar la categoría deseada y seleccionar un canal. 1) Seleccione una categoría. 2) Seleccione un canal.
Direct Tuning	Muestra la pantalla de búsqueda directa de canal.. (P.48)
Parental Contr.	Consulte Control parental (P.49) .

Control parental

El control parental es una función que permite al usuario evitar el acceso no autorizado a contenidos para adultos y a los canales seleccionados por el usuario.

Activación del control parental

- 1 Pulse <⚙> para visualizar el menú de funciones.
- 2 Gire el mando del volumen para seleccionar [Parental Contr.] y, a continuación, pulse el mando.
- 3 Introduzca el código parental inicial ("1111")
 - 1) Gire el mando del volumen para seleccionar un número y, a continuación, pulse el mando.
 - 2) Repita el paso 1 hasta que se haya completado el código parental.

Selección del canal de bloqueo parental

- 1 Pulse <⚙> para visualizar el menú de funciones.
- 2 Gire el mando del volumen para seleccionar [Parental Contr.] y, a continuación, pulse el mando.
- 3 Introduzca el código parental inicial ("1111")
- 4 Gire el mando del volumen para seleccionar [Lock Channels] y, a continuación, pulse el mando.
- 5 Introduzca el código parental.
 - 1) Gire el mando del volumen para seleccionar un número y, a continuación, pulse el mando.
 - 2) Repita el paso 1 hasta que se haya completado el código parental.
- 6 Gire el mando del volumen para seleccionar el canal que desee bloquear y, a continuación, pulse el mando.
Aparece "🔒".
- 7 Pulse <Q/↵>.

Cambio del código parental

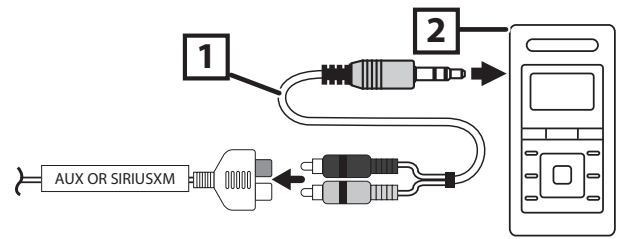
- 1 Pulse <⚙> para visualizar el menú de funciones.
- 2 Gire el mando del volumen para seleccionar [Parental Contr.] y, a continuación, pulse el mando.
- 3 Introduzca el código parental inicial ("1111")
- 4 Gire el mando del volumen para seleccionar [Change Code] y, a continuación, pulse el mando.
- 5 Introduzca el antiguo código parental.
 - 1) Gire el mando del volumen para seleccionar un número y, a continuación, pulse el mando.
 - 2) Repita el paso 1 hasta que se haya completado el código parental.completed.
- 6 Introduzca un nuevo código de cuatro dígitos.
- 7 Repita el paso 6 anterior para confirmar el nuevo código.

Restablecimiento de los valores predeterminados

- 1 Mantenga <⚙> pulsado para visualizar los ajustes.
- 2 Pulse <◀◀>/<▶▶> para seleccionar [⚙] (Ajustes generales).
- 3 Gire el mando del volumen para seleccionar [Factory Reset] y, a continuación, pulse el mando.
- 4 Gire el mando del volumen para seleccionar [SiriusXM] y, a continuación, pulse el mando.
- 5 Gire el mando del volumen para seleccionar [Yes] y, a continuación, pulse el mando.

Componentes externos

Uso de reproductores de audio externos



- 1 De miniclavija estéreo de 3,5 mm a conector RCA (se vende por separado)
- 2 Reproductor de audio portátil (se vende por separado)

Inicio de la reproducción

- 1 Conecte un componente externo al terminal de entrada AUX.
- 2 Pulse <Q / ↵> para visualizar la pantalla HOME (inicio).
- 3 Gire el mando del volumen para seleccionar [AUX] y, a continuación, pulse el mando.
- 4 Enciende el componente conectado y comienza a reproducir la fuente.

NOTA

- Para seleccionar la fuente AUX, es necesario ajustar "AUX Input" en "AUX" en [General Settings]. (P.43).

Cámara

Se proporciona un disparador para activar la cámara al ajustar la marcha atrás o puede seleccionar la cámara desde el menú de fuente.

Visualización de la imagen desde la cámara

Se muestra la pantalla de la cámara cuando cambia la palanca de cambios a la posición de marcha atrás (R)



Para visualizar manualmente la imagen desde la cámara

- 1 Pulse <Q / ↵> para visualizar la pantalla HOME (inicio).
- 2 Gire el mando del volumen para seleccionar [Camera] y, a continuación, pulse el mando.

Teléfono inteligente con Bluetooth®

■ Acerca de los teléfonos inteligentes Bluetooth y los reproductores de audio Bluetooth

Esta unidad cumple las siguientes especificaciones Bluetooth:

Versión

Bluetooth 5.0

Perfil

Reproductor de audio :

A2DP (Perfil avanzado de distribución de audio)

AVRCP (V1.5) (Perfil de mando a distancia de audio/vídeo)

Códec de sonido

SBC

AAC

Registre su teléfono inteligente en la unidad

Puede utilizar su teléfono inteligente Bluetooth cuando esté emparejado con esta unidad.

- Puede emparejar el dispositivo y la unidad usando SSP (Emparejamiento simple seguro) el cual solo requiere de confirmación.
- Solo puede conectarse un dispositivo a la vez.
- Cuando registre un nuevo dispositivo Bluetooth, desconecte el dispositivo Bluetooth conectado actualmente y, a continuación, registre el nuevo dispositivo.

1 Active la función Bluetooth en su teléfono inteligente.

2 Busque la unidad ("KMR-M300BT" / "KMR-XM500") en su teléfono inteligente.

Si se requiere un código PIN, introduzca el código PIN ("0000").

■ Desconexión del dispositivo

- Desactive la función Bluetooth en su teléfono inteligente.
- Apague el interruptor de encendido.

Reproducir dispositivos de audio Bluetooth

1 Pulse <Q/↵> para visualizar la pantalla HOME (inicio).

2 Gire el mando del volumen para seleccionar [Bluetooth Audio] y, a continuación, pulse el mando.



Pantalla de la fuente

Pantalla de lista

Para	Hacer esto
Reproducir/pausar	Pulse el mando del volumen.
Seleccionar un archivo	Pulse <◀◀◀>/<▶▶▶> varias veces.
Retroceso rápido/avance rápido	Mantenga <◀◀◀>/<▶▶▶> pulsado.

📌 NOTA

- Las operaciones y las indicaciones en pantalla pueden variar en función de su disponibilidad en el dispositivo conectado.

■ Pantalla de la fuente

- 1 Estado de reproducción/Tiempo de reproducción/Número de archivo
Barra de tiempo de repetición : Para confirmar la posición actual de reproducción.
- 2 : Indicador del modo de reproducción Repetir
 : Indicador del modo de reproducción aleatorio
- 3 Muestra la información del archivo actual.

■ Seleccione un contenido en una lista

- 1 Pulse <Q/↵> para visualizar la pantalla de lista.**
- 2 Gire el mando del volumen para seleccionar un elemento y, a continuación, pulse el mando.**
- 3 Para regresar al nivel anterior, pulse <Q/↵>.**


Ajustes de las funciones

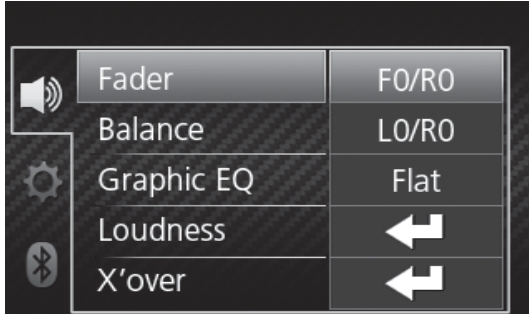
- 1 Pulse <⚙> para visualizar el menú de funciones.**
- 2 Gire el mando del volumen para seleccionar el elemento que se va a ajustar (véase la tabla siguiente) y, a continuación, pulse el mando para realizar una selección.**
- 3 Pulse <Q/↵>.**

Browsing	Consulte Seleccione un contenido en una lista (P.51) .
Repeat	All: Repite todos los archivos. () One: Repite el archivo actual. () Off: Repetición desactivada.
Random	Off: Reproducción normal. On: Reproduce aleatoriamente todos los archivos. ()

Configuración

Ajustes

- 1 Mantenga  pulsado para visualizar los ajustes.
- 2 Pulse <◀◀>/<▶▶> para seleccionar la categoría.



- 3 Gire el mando del volumen para seleccionar un elemento (véase la tabla siguiente) y, a continuación, pulse el mando.
- 4 Repita el paso 3 hasta que el elemento deseado se seleccione/active o siga las instrucciones indicadas en el elemento seleccionado.
- 5 Pulse <Q/↵>.

Ajustes de audio

Fader	F12 — R12 (F0/R0): Ajusta el balance de la salida de los altavoces delanteros y traseros.
Balance	L12 — R12 (L0/R0): Ajusta el balance de la salida de los altavoces izquierdos y derechos.
Graphic Equalizer	Selecciona un ecualizador predefinido adecuado al género musical. Flat / Hard Rock / Classical / Pop / Dance / Electronic / Hip Hop / User Seleccione [User] para utilizar la configuración que se ha realizado 1) Pulse el mando del volumen para seleccionar la frecuencia. 2) Gire el mando del volumen para ajustar el nivel. 3) Pulse <Q/↵>.
Loudness	Fija las cantidades de refuerzo de los tonos altos y bajos. "ON", "OFF" (predeterminado)
X'over	Es posible ajustar la frecuencia de cruce de altavoces. 1) Pulse <◀◀>/<▶▶> para seleccionar el altavoz. 2) Pulse el mando del volumen para seleccionar el elemento. 3) Gire el mando del volumen para ajustar el valor. 4) Pulse <Q/↵>.

Ajustes generales (P.43)

Ajustes de Bluetooth

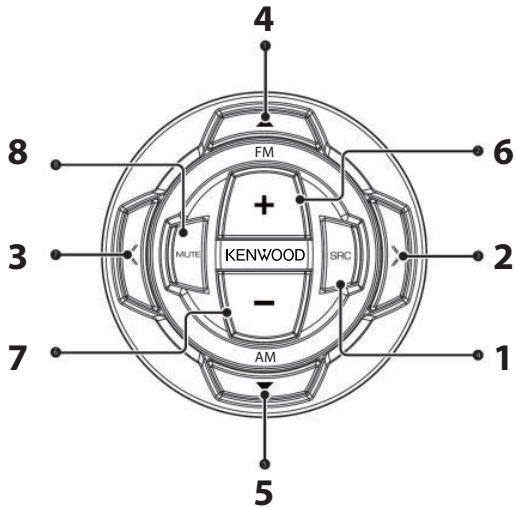
Discoverable	Enable (predeterminado)/Disable: Activa o desactiva las funciones de Bluetooth.
Device Name	Se muestra el nombre del dispositivo Bluetooth de esta unidad.

Mando a distancia

Esta unidad puede manejarse con el mando a distancia.

Se puede utilizar el mando a distancia por cable KCA-RC35MR (accesorio opcional).

Funciones de los botones del mando a distancia



1	SRC	Activa la fuente que se desee reproducir.
2/3	>>> <<<	Selecciona la pista o archivo que se reproducirá. Durante la fuente del sintonizador, cambia a las emisoras recibidas por la unidad. Buscar un canal durante la fuente de SiriusXM.
4/5	▲ ▼	Durante la fuente del sintonizador, selecciona una emisora predefinida.
6/7	VOL + -	Ajusta el volumen.
8	MUTE	Pulse mudo/restaurar sonido.
		USB/iPhone/Bluetooth Audio Pulse lecture ou pause
		SiriusXM Presione el modo Reproducir.

Instalación

Antes de la instalación

Antes de la instalación de esta unidad, tenga en cuenta las precauciones siguientes.

▲ ADVERTENCIAS

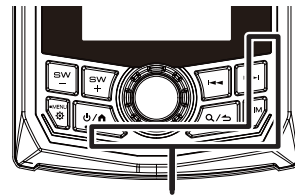
- Si conecta el cable de encendido (rojo) al punto de tierra negativo, podría producir un cortocircuito y esto, a su vez, un incendio. Conecte siempre esos cables a la fuente de alimentación que pasa por la caja de fusibles.
- No corte el fusible del cable de ignición (rojo). El suministro de energía debe conectarse a los cables por medio del fusible.

NOTA

- La instalación y el cableado de este producto requieren habilidad y experiencia. Para mayor seguridad, deje el trabajo de montaje y cableado en manos de profesionales.
- Asegúrese de utilizar para la unidad una fuente de alimentación de 12 V CC con conexión a tierra negativa.
- No utilice sus propios tornillos. Utilice solo los tornillos suministrados. El uso de tornillos diferentes podría causar daños en la unidad.
- Si el encendido de su embarcación no está provisto de la posición ACC, conecte los cables de encendido a una fuente de alimentación que pueda conectarse y desconectarse con la llave de encendido. Si conecta el cable de encendido a una fuente de alimentación con un suministro de voltaje constante, como con los cables de la batería, la batería puede agotarse.
- Si la consola tiene una tapa, asegúrese de instalar la unidad de forma que el panel frontal no golpee la tapa al abrirse o cerrarse.
- Si se funden los fusibles, asegúrese primero de que los cables no están en contacto pues pueden ocasionar un cortocircuito, luego reemplace el fusible dañado por uno nuevo que tenga la misma potencia de servicio.
- Aísle los cables no conectados con una cinta de vinilo u otro material similar. Para evitar cortocircuitos, no retire las tapas de los extremos de los cables o terminales no conectados.
- Asegure los cables con las abrazaderas de cable y envuelva cinta de vinilo alrededor de los cables que entren en contacto con los elementos metálicos para proteger los cables y para evitar cortocircuitos.
- Conecte los cables de los altavoces a cada uno de los terminales correspondientes. La unidad se puede dañar o no funcionar si comparte los cables \ominus o los conecta a tierra a cualquier parte metálica de la

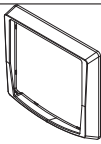
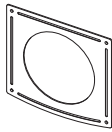
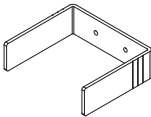



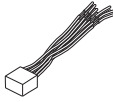

embarcación.

- Si se han conectado solamente dos altavoces al sistema, enchufe los conectores a ambos terminales de salida delanteros o a ambos terminales de salida traseros (es decir, no mezcle terminales delanteros y traseros). Por ejemplo, si conecta el conector \oplus del altavoz izquierdo a un terminal de salida delantero, no conecte el conector \ominus a un terminal de salida posterior.
- Después de instalar la unidad, compruebe que las luces intermitentes, el limpiaparabrisas, etc., funcionan satisfactoriamente.
- La recepción podría ser baja si existen objetos metálicos cerca de la antena Bluetooth.



Unidad de antena Bluetooth

■ Accesorios suministrados para la instalación

①		x1	②		x1
③		x1	④	 (M3.5 x 25 mm)	x4
⑤	 (M4)	x8	⑥	 (M4 x 37 mm)	x2
⑦		x1	⑧		x1

■ Procedimiento de instalación

- 1) Para evitar cortocircuitos, retire la llave del encendido y desconecte el terminal \ominus de la batería.
- 2) Realice de forma adecuada las conexiones de los cables de entrada y salida para cada unidad.
- 3) Conecte el cable al mazo de conductores.
- 4) Conecte los cables del mazo en el orden siguiente: tierra, batería, encendido.
- 5) Conecte el mazo de cables a la unidad.
- 6) Instale la unidad en la embarcación.
- 7) Conecte nuevamente el terminal \ominus de la batería.

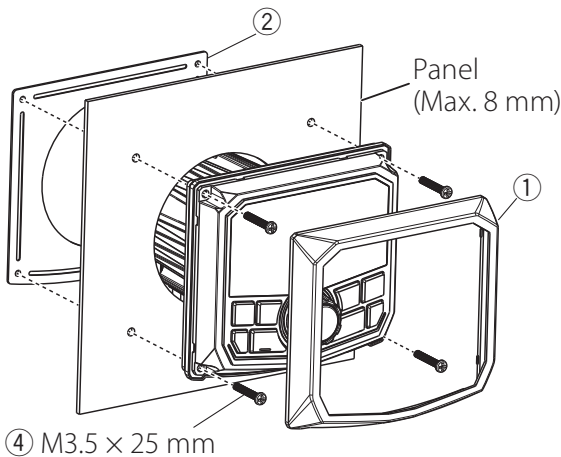
Instalación

Instalación de la unidad

■ Montaje (utilizando la placa de montaje)

Para montar la unidad, use una superficie plana con suficiente espacio libre detrás para la unidad y todo el cableado necesario.

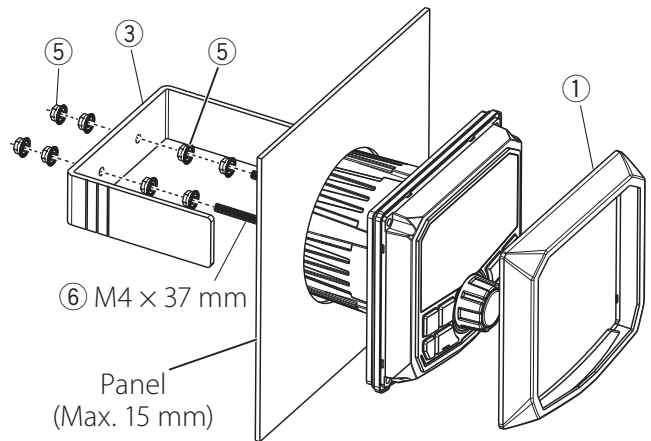
- 1) Una vez haya determinado el lugar de montaje, necesitará cortar un orificio circular de 77 mm (3 pulg.) de diámetro.
- 2) Después de cortar el orificio, deslice la unidad y los cables a través del orificio.
- 3) Deslice la placa de montaje (accesorio ②) sobre la parte trasera de la unidad y fíjela con los tornillos suministrados (accesorio ④).
- 4) Presione la placa embellecedora (accesorio ①) hacia la parte delantera de la unidad.
- 5) Enchufe todos los mazos de cables y los cables. Consulte el diagrama de cableado para los tipos de conexión del mazo de cables.



■ Montaje (utilizando el soporte en U)

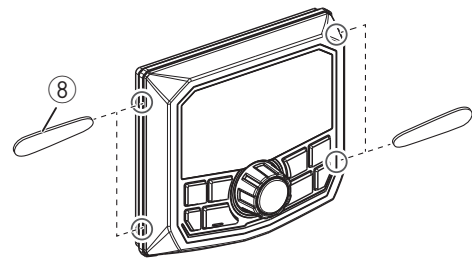
Para montar la unidad, use una superficie plana con suficiente espacio libre detrás para la unidad y todo el cableado necesario.

- 1) Fije el tornillo con la tuerca (accesorio ⑥) en la parte trasera de la unidad.
- 2) Una vez haya determinado el lugar de montaje, necesitará cortar un orificio circular de 77 mm (3 pulg.) de diámetro.
- 3) Después de cortar el orificio, deslice la unidad y los cables a través del orificio.
- 4) Tome el soporte (accesorio ③) y deslícelo sobre los dos pasadores de la parte trasera de la unidad. Apriete con las tuercas suministradas (accesorio ⑤).
- 5) Presione la placa embellecedora (accesorio ①) hacia la parte delantera de la unidad.
- 6) Enchufe todos los mazos de cables y los cables. Consulte el diagrama de cableado para los tipos de conexión del mazo de cables.

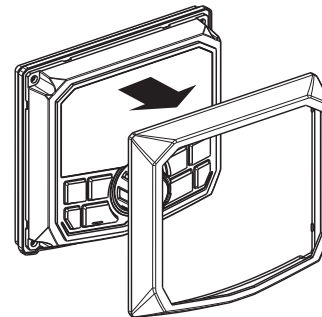


■ Desmontaje de la placa embellecedora

- 1) Use la tecla de extracción (accesorio ⑧) para extraer las cuatro pestañas (dos en la parte izquierda, dos en la parte derecha).

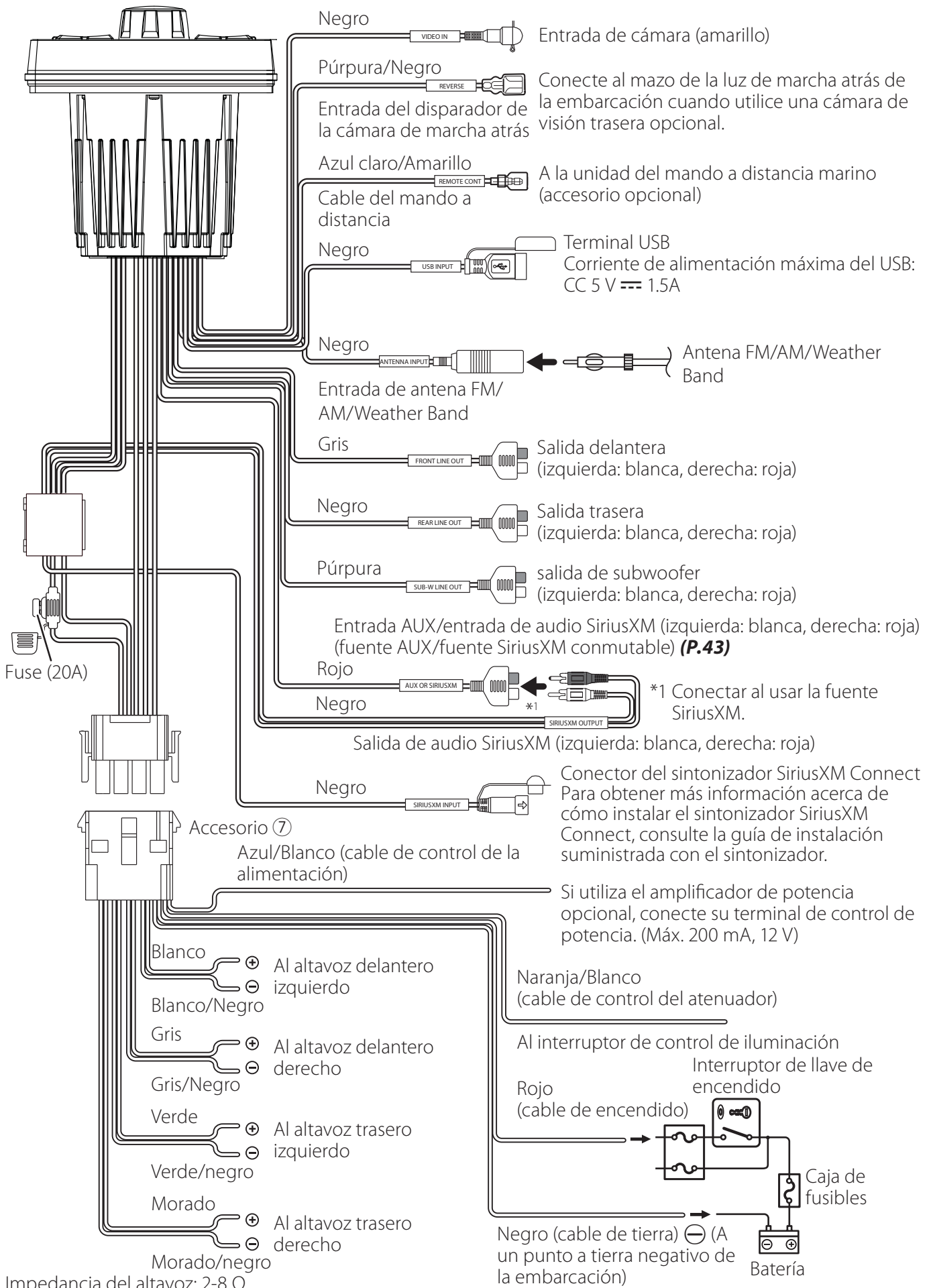


- 2) Tire de la placa hacia adelante.



Instalación

Conectar los cables a los terminales



Acerca de esta unidad

Mantenimiento

Limpeza de la unidad

Si el panel frontal de esta unidad está manchado, límpielo con un paño suave y seco, como por ejemplo, un paño de silicona. Si el panel frontal está muy manchado, limpie la mancha con un paño humedecido con un producto de limpieza neutro y, a continuación, vuelva a limpiarlo con un paño suave, limpio y seco.

PRECAUCIÓN

- Aplicar un limpiador en espray directamente sobre la unidad, puede dañar sus componentes mecánicos. Limpiar el panel frontal con un paño áspero o con un líquido volátil, como un disolvente o alcohol, podría rayar la superficie o borrar las impresiones de la pantalla.

Más información

Dispositivos USB que pueden utilizarse

Esta unidad puede reproducir archivos MP3/ WMA/ FLAC/AAC guardados en un dispositivo de clase de almacenamiento masivo USB.

- Sistema de archivos: FAT16, FAT32, exFAT
- Esta unidad puede reconocer un total de 999 archivos y 255 carpetas (un máximo de 999 archivos por carpeta).
- El número máximo de caracteres:
 - Nombres de carpeta: 24 caracteres
 - Nombres de archivo: 24 caracteres
 - Etiqueta: 30 (Título)/ 30 (Artista/ Álbum) caracteres

NOTA

- Cuando el dispositivo USB esté conectado a esta unidad, puede cargarse a través del cable USB.
- Instale el dispositivo USB en un lugar que no perjudique a una conducción segura.
- No puede conectar un dispositivo USB mediante un núcleo USB o un lector de tarjetas múltiple.
- Haga copias de seguridad de los archivos de audio utilizados con esta unidad. Los archivos podrían borrarse en función de las condiciones de funcionamiento del dispositivo USB. No compensaremos en forma alguno los daños producidos por cualquier dato borrado.
- Esta unidad no se suministra con un dispositivo USB. Tiene que comprar un dispositivo USB disponible comercialmente.
- Tape la terminal de USB cuando no se esté utilizando.

Archivos de audio reproducibles

Formato de audio	Tasa de bits/ (Recuento de bits)	Frecuencia de muestreo
MP3 (.mp3)	32 – 384kbps, VBR	16 – 48 kHz
WMA (.wma)	32 – 320kbps	32 – 48 kHz
FLAC (.flac)	(16 - 24 bit)	8 – 48 kHz
AAC-LC (.m4a)	16 – 320kbps	16 – 48 kHz

- Esta unidad puede mostrar etiquetas ID3 Versión 1.0/1.1/2.2/2.3/2.4 (para MP3).
- El número máximo de caracteres:
 - Etiqueta: 30 (Título)/ 30 (Artista/ Álbum) caracteres

NOTA

- El formato WMA/AAC que está cubierto con DRM no puede reproducirse.
- Aunque los archivos de audio cumplen los estándares anteriores, puede que no sea posible la reproducción según los tipos o condiciones del medio o dispositivo.

Resolución de problemas

Lo que parece ser un problema no siempre es serio. Compruebe los siguientes puntos antes de llamar al centro de atención al cliente.

- Para el funcionamiento con los componentes externos, consulte también las instrucciones suministradas con los adaptadores usados para las conexiones (así como las instrucciones suministradas con los componentes externos).

General

Los altavoces no emiten ningún sonido.

- Ajuste el volumen al nivel óptimo.
- Compruebe las cuerdas y las conexiones.

El mando a distancia no funciona.

- Compruebe el cable del controlador remoto.

USB

Al reproducir una pista, a veces se interrumpe el sonido.

- Las pistas no se copian adecuadamente en el dispositivo USB. Copie las pistas de nuevo e inténtelo de nuevo.

Acerca de esta unidad

iPhone

Los altavoces no emiten ningún sonido.

- Desconecte el iPhone y, a continuación, conéctelo de nuevo.
- Seleccione otra fuente y, a continuación, vuelva a seleccionar "iPhone".

El iPhone no se enciende o no funciona.

- Compruebe el cable de conexión y su conexión.
- Actualice la versión de firmware del iPhone.
- Cargue la batería del iPhone.
- Restablezca el iPhone.

El sonido está distorsionado.

- Desactive el ecualizador bien en esta unidad o en el iPhone.

Se genera mucho ruido.

- Desactive (deseleccione) "VoiceOver" en el iPhone. Para obtener más detalles, consulte <<https://www.apple.com>>.

Sintonizador

El preestablecimiento automático no funciona.

- Guarde emisoras manualmente. **(P.47)**

Ruido estático mientras escucha la radio.

- Conecte la antena firmemente.

Bluetooth

El sonido se interrumpe o salta mientras usa un reproductor de audio Bluetooth.

- Reduzca la distancia entre la unidad y el reproductor de audio Bluetooth.
- Apague y, a continuación, vuelva a encender la unidad. (Cuando el sonido aún no se ha restablecido) conecte el reproductor de nuevo.

El reproductor de audio no puede ser controlado.

- Compruebe si el reproductor de audio conectado es compatible con AVRCP (Perfil de control remoto de Audio/Vídeo).

El dispositivo Bluetooth no detecta la unidad.

- Asegúrate de que la opción "Encontrado disponible" está activada en los ajustes de Bluetooth.

La unidad no se empareja con el dispositivo Bluetooth.

- Apague y, a continuación, vuelva a encender el dispositivo Bluetooth.
- Desconecte el dispositivo Bluetooth conectado actualmente y, a continuación, registre el nuevo dispositivo. **(P.51)**

SiriusXM

Aparece "No Signal".

- Asegúrese de que la antena de radio satelital SiriusXM esté montada fuera del automóvil. Mueva el automóvil a un área que tenga una clara línea de visión hacia el cielo.

Aparece "Check Antenna".

- Verifique la conexión de la antena de radio satelital SiriusXM y asegúrese de que esté firmemente conectada al sintonizador.
- Compruebe que el cable de antena de radio satelital SiriusXM no esté torcido ni dañado. Si está dañado, cambie toda la unidad de la antena.

Aparece "Check Radio".

- Asegúrese de que el sintonizador SiriusXM Connect para vehículos esté conectado a la unidad.

Aparece "Channel Not Available".

- El canal seleccionado ya no está disponible. Seleccione otro canal o continúe escuchando el canal anterior.

Aparece "Channel Not Subscribed".

El canal seleccionado actualmente no está disponible.

- En EE. UU., visite www.siriusxm.com o llame al 1-866-635-2349 si tiene preguntas sobre su paquete de suscripción o si desea suscribirse a este canal.
- En Canadá, visite www.siriusxm.ca o llame al 1-877-438-9677.

Aparece "Subscription Updated".

- Su suscripción ha sido actualizada. Pulse el botón apropiado para continuar.

Aparece "Channel Locked".

- El canal seleccionado está bloqueado mediante bloqueo parental. Ingrese el código de desbloqueo cuando le sea solicitado.

Acerca de esta unidad

Especificaciones

■ Impermeable

: IP66 for Placa frontal
: IPX4 cuerpo
(equivalente a la publicación del estándar IEC 60529)

■ Sección del monitor

Tamaño de imagen
: TFT a color de 2,7 pulgadas

Retroiluminación
: LED

■ Sección de la interfaz del USB

Estándar USB
: USB 2.0 (alta velocidad)

Dispositivos compatibles
: Clase de almacenamiento masivo

Sistema de archivos
: FAT16, FAT32, exFAT

Capacidad
: Capacidad máxima de 32 GB, máximo de 255 carpetas, máximo de 999 archivos por carpeta

Corriente de alimentación eléctrica máxima
CC 5 V \Rightarrow 1.5A

Respuesta de frecuencia
: 20 – 20,000 Hz

Decodificación Audio
: MP3/ WMA/ AAC/ FLAC

■ Sección de Bluetooth

Tecnología
: Bluetooth 5.0

Frecuencia
: 2.4 GHz – 2.48 GHz

Rango de comunicación máximo
: Línea de visión de aprox. 10 m (32,8 pies)

Emparejamiento
: SSP (Secure Simple Pairing)

Perfil

- A2DP (Perfil avanzado de distribución de audio)
- AVRCP (V1.5) (Perfil de mando a distancia de audio/vídeo)

■ Sección del sintonizador de FM

Rango de frecuencias (saltos)
América del Norte: 87,9 MHz-107,9 MHz (200 kHz)
América del Sur, Europa, Rusia, Asia, Oriente Medio,
Australia: 87,5 MHz-108 MHz (50 kHz)
Japón: 76,0 MHz-99,0 MHz (100 kHz)

■ Sección del sintonizador AM

Rango de frecuencias (saltos)
América del Norte, América del Sur
: 530 kHz – 1.700 kHz (10 kHz)
Europa, Rusia, Asia: 531 kHz-1.611 kHz (9 kHz)
Japón: 522 kHz-1.629 kHz (9 kHz)
Oriente Medio: 531 kHz-1.602 kHz (9 kHz)
Australia: 531 kHz-1.701 kHz (9 kHz)

■ Sección del sintonizador Weather Band

Rango de frecuencias (saltos)
EE. UU./Canadá: 162,400 MHz-162,550 MHz (25 kHz)

■ Ecuador

Banda
: 13 Band

Frecuencia
: 62.5/100/160/250/400/630/1k/1.6k/2.5k/4k/6.3k/
10k/16kHz

Ganancia
: -9 — +9 (-9 dB — +9 dB)

■ Sección de audio

Potencia máxima
: 34 W × 4 (@ 4 Ω , pico), 50 W × 4 (@ 2 Ω , pico)

Potencia completa de todo el ancho de banda (1 % THD)
: 19 W × 4 (@ 4 Ω , RMS), 28 W × 4 (@ 2 Ω , RMS)

Nivel previo/carga
KMR-M300BT
: 2000 mV/ 10 k Ω (USB)
KMR-XM500
: 5000 mV/ 10 k Ω (USB)

Impedancia de presalida
: \leq 500 Ω

Impedancia del altavoz
: 2 – 8 Ω

Acerca de esta unidad

General

Voltaje de funcionamiento

: batería de 12 V CC

Dimensiones de instalación

Panel (An. × Al.)

: 115 × 106 mm

4-9/16 × 4-3/16 pulgadas

Cuerpo (An. × Al. × Pr.)

: Ø77 × Ø77 × 74 mm

Ø3-1/16 × Ø3-1/16 × 2-15/16 pulgadas

Peso

: 0,9 kg (2,0 libras)

Derechos de autor

- La marca denominativa y los logos de Bluetooth® son marcas registradas propiedad de Bluetooth SIG, Inc. y cualquier uso de dichas marcas por JVCKENWOOD Corporation está sujeto a los términos de licencia. El resto de marcas comerciales y nombres comerciales corresponden a sus respectivos propietarios.
- Use of the Made for Apple badge means that an accessory has been designed to connect specifically to the Apple product(s) identified in the badge, and has been certified by the developer to meet Apple performance standards. Apple is not responsible for the operation of this device or its compliance with safety and regulatory standards. Please note that the use of this accessory with an Apple product may affect wireless performance.
- Apple, iPhone and Lightning are trademarks of Apple Inc., registered in the U.S. and other countries.
- Microsoft and Windows Media are either registered trademarks or trademarks of Microsoft Corporation in the United States and/or other countries.
- Sirius, XM and all related marks and logos are trademarks of Sirius XM Radio Inc. All rights reserved.

NOTA

- A pesar de que los píxeles efectivos para el panel de cristal líquido son del 99,99% o más, es posible que el 0,01% de los píxeles no se enciendan o no lo hagan correctamente.
- Las especificaciones se encuentran sujetas a cambios sin previo aviso.

Acerca de esta unidad

Por Argentina

■ Información acerca de la eliminación de equipos eléctricos y electrónicos al final de la vida útil (aplicable a los países que hayan adoptado sistemas independientes de recogida de residuos)



Los productos con el símbolo de un contenedor con ruedas tachado no podrán ser desechados como residuos domésticos.

Los equipos eléctricos y electrónicos al final de la vida útil, deberán ser reciclados en instalaciones que puedan dar el tratamiento adecuado a estos productos y a sus subproductos residuales correspondientes. Póngase en contacto con su administración local para obtener información sobre el punto de recogida más cercano.

Un tratamiento correcto del reciclaje y la eliminación de residuos ayuda a conservar los recursos y evita al mismo tiempo efectos perjudiciales en la salud y el medio ambiente.

Para México

■ Para cumplimiento de la IFT:

La operación de este equipo está sujeta a las siguientes dos condiciones:

- (1) es posible que este equipo o dispositivo no cause interferencia perjudicial y
- (2) este equipo o dispositivo debe aceptar cualquier interferencia, incluyendo la que pueda causar su operación no deseada.

KENWOOD