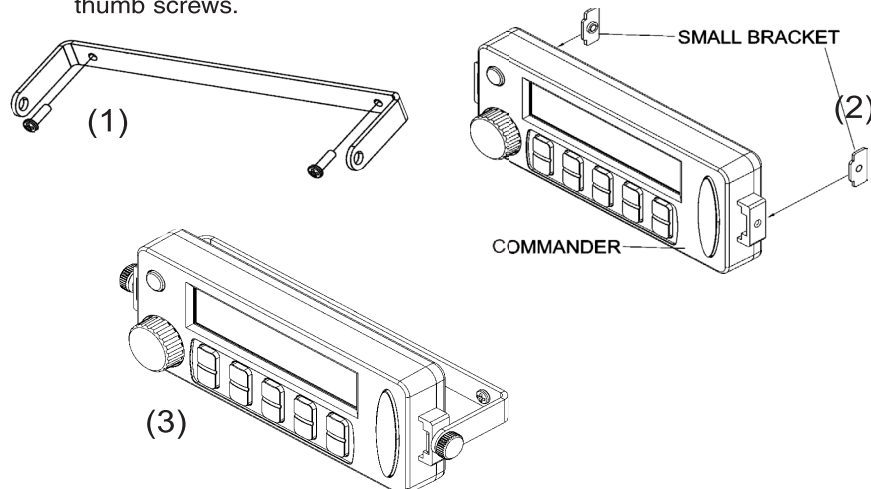


Wired Commander Mounting

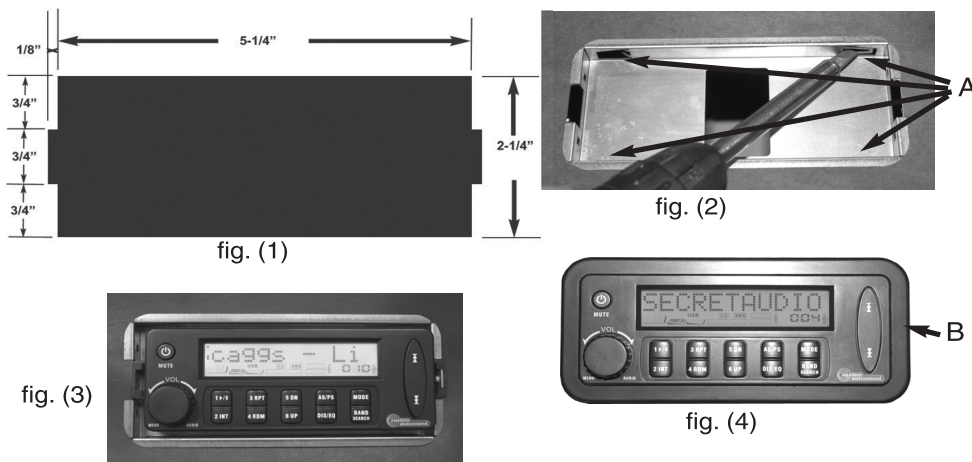
Wired Commander Bracket Mount

- (1) Use the two self tapping screws (T3x12) to mount the Swivel Bracket in place.
- (2) Put the two small brackets into the right and left ears of Commander
- (3) Put the commander into the swivel bracket and fasten using the large machine thumb screws.



Wired Commander flush Mount

- (1) Find a flat area that is a minimum of 5-3/4" w x 2-3/4" h
- (2) Check area behind for any obstructions. Needs a min. of 1" clearance
- (3) Cut a 5-1/4" w x 2-1/4" h hole for the flush mount bezel. Cut 1/8" w x 3/4" high clearance for tabs on side of LCD. (fig.1) **Be extremely careful to not cut this opening oversize** or the trim bezel will not cover up the hole. Best to cut the opening slightly small and then file to fit.
- (4) Insert metal bezel into cutout and bend mounting tabs (A) outward to secure it into the opening. fig. (2)
- (5) Place commander into bezel (fig. 3) and press fit plastic trim ring (B) over the commander. (fig.4)

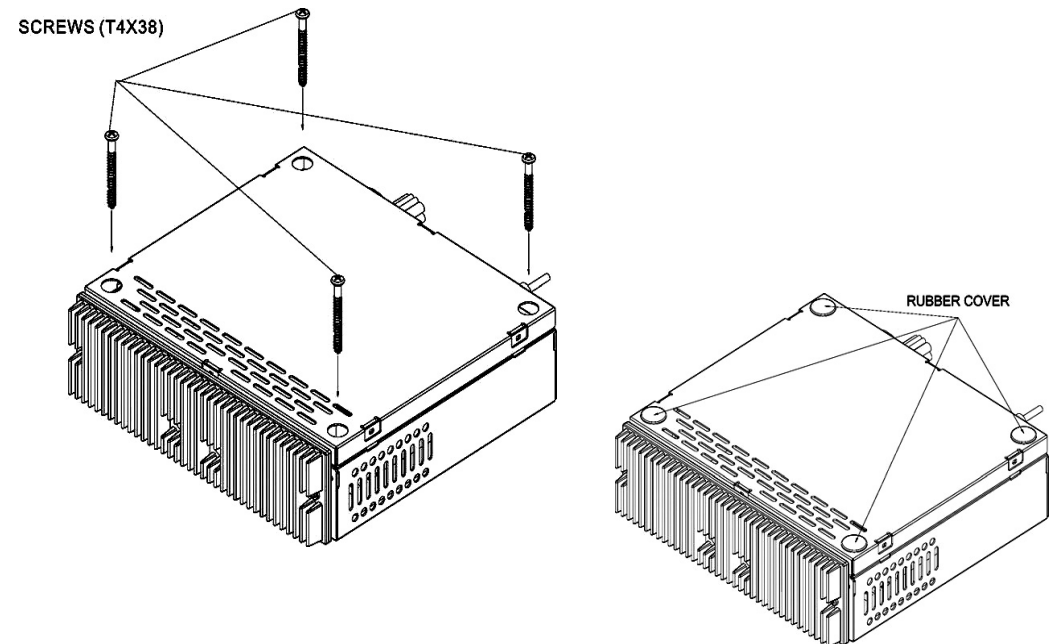


Tuner/Amplifier Mounting

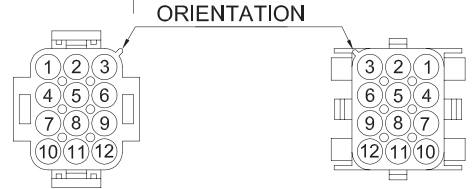
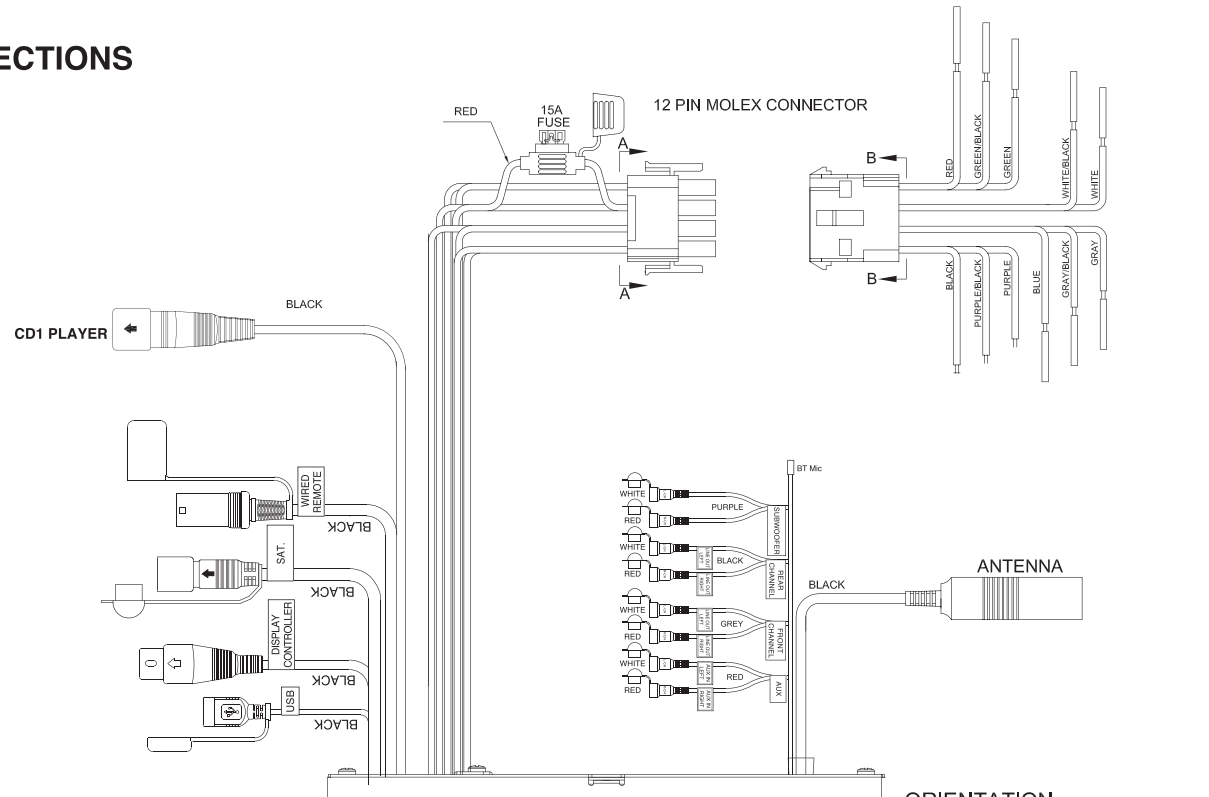
1. Choose a mounting area for the tuner/amp module that will provide plenty of ventilation to prevent the amplifier from overheating. The tuner/amp module can be mounted in the horizontal or vertical position. Please note that when mounting in vertical position, do not mount with the harness exit points facing straight up, as this will reduce the efficiency of the heat sink cooling.
2. Using the shortest length of the recommended size screws possible, mount the tuner/amplifier as detailed in the diagram below.
3. Route the tuner/ amplifier harness and cable throughout the vehicle as required. Keep some slack in the harness / cables so it won't be too tight, as this can cause damage to the wires.
4. Follow the wiring diagram carefully and make certain all connections are secure and insulated with crimp connectors or electrical tape to ensure proper operation.
5. After completing the wiring connections, reconnect the negative terminal on the battery and turn the unit on to confirm operation (vehicle accessory switch must be on). If the unit does not operate, disconnect battery, recheck all wiring and refer to the troubleshooting guide located in the back of the manual.

Reconnect Battery

When wiring is complete, reconnect the battery negative terminal.



WIRE CONNECTIONS



SECTION A-A SECTION B-B

PIN NO.	WIRE COLOR	WIRE DEFINITION	AWG
1	GREEN	SPEAKER REAR LEFT (+)	20
2	GREEN/BLACK	SPEAKER REAR LEFT (-)	20
3	RED	ACC (+12V)	16
4	WHITE	SPEAKER FRONT LEFT (+)	20
5	WHITE/BLACK	SPEAKER FRONT LEFT (-)	20
6			
7	GREY	SPEAKER FRONT RIGHT (+)	20
8	GREY/BLACK	SPEAKER FRONT RIGHT (-)	20
9	BLUE	POWER ANTENNA	20
10	PURPLE	SPEAKER REAR RIGHT (+)	20
11	PURPLE/BLACK	SPEAKER REAR RIGHT (-)	20
12	BLACK	GROUND (-)	16

INSTALLATION

Before you begin, always disconnect the battery negative terminal.

Important Notes

- Before final installation, test the wiring connections to make sure the unit is connected properly and the system works.
- Use only the parts included with the unit to ensure proper installation. The use of unauthorized parts can cause malfunctions.
- Consult with your nearest dealer if installation requires the drilling of holes or other modifications to your vehicle.
- Install the unit where it does not interfere with driving and cannot injure passengers if there is a sudden or emergency stop.
- Avoid installing the unit where it will be subject to high temperatures from direct sunlight, hot air, or from a heater, or where it would be subject to excessive dust, dirt or vibration.

- This system requires a minimum of 2 speakers (one speaker for each right and left channel) If you only have a location for one speaker our DVC (dual voice coil) speaker can be used. Do not connect any of the speaker leads to each other or vehicle ground.
- System requires 12 volt negative ground.
- Blue power antenna lead is for 12volt possitive trigger of optional amplifiers or power antenna relay. Do not connect to any accessory that requires high current. If your vehicle is not equipped with automatic antenna or amplifiers tape this lead off.