



KD-MR1BTS

DIGITAL MEDIA RECEIVER

INSTRUCTION MANUAL

RÉCEPTEUR MÉDIA NUMÉRIQUE

MODE D'EMPLOI

RECEPTOR DE MEDIOS DIGITALES

MANUAL DE INSTRUCCIONES

JVCKENWOOD Corporation

- Updated information (the latest Instruction Manual, etc.) is available from <<http://www.jvc.net/cs/car/>>.
- Des informations actualisées (le dernier mode d'emploi, etc.) sont disponibles sur le site <<http://www.jvc.net/cs/car/>>.
- La información actualizada (el Manual de instrucciones más actualizado, etc.) está disponible desde <<http://www.jvc.net/cs/car/>>.



pandora®



(((Siriusxm)))
READY

© 2019 JVC KENWOOD Corporation

B5A-3196-30 (K)

Contents

Before use	2
How to read this manual.....	2
Precautions.....	2
Getting Started	3
Set the general settings.....	3
Basics	4
Common operations.....	4
Select a source.....	4
USB	5
Preparation.....	5
Playback operations.....	5
Function settings.....	5
iPod/iPhone	6
Preparation.....	6
Playback operations.....	6
Function settings.....	6
Pandora®	7
Preparation.....	7
Playback operations.....	7
NOTE.....	7
Tuner	8
Tuner basic operations.....	8
Function settings.....	8
SiriusXM®	9
Activating subscription.....	9
NOTE.....	9
SiriusXM® basic operations.....	9
Function settings.....	10
Parental Control.....	10
Reset to the default settings.....	10
External Components	11
Using external audio players.....	11
Camera.....	11
Bluetooth® smartphone	12
Register your smartphone to the unit.....	12
Playing Bluetooth Audio Device.....	12
Function settings.....	12
Setup	13
Settings.....	13
Remote control	14
Functions of the remote control buttons.....	14
Installation	15
Before installation.....	15
Installing the unit.....	16
About this Unit	18
Maintenance.....	18
More information.....	18
Troubleshooting.....	19
Specifications.....	20
Copyrights.....	21

Before use

How to read this manual

- The panels shown in this guide are examples used to provide clear explanations of the operations. For this reason, they may be different from the actual panels.
- In operation procedures, bracket shape indicates the item you should control.
[]: indicates the selected items or menu.
< >: indicates the name of panel buttons.

Precautions

▲WARNING

■ To prevent injury or fire, take the following precautions:

- To prevent a short circuit, never put or leave any metallic objects (such as coins or metal tools) inside the unit.
- Do not watch or fix your eyes on the unit's display when you are driving for any extended period.
- If you experience problems during installation, consult your JVC dealer.

■ Precautions on using this unit

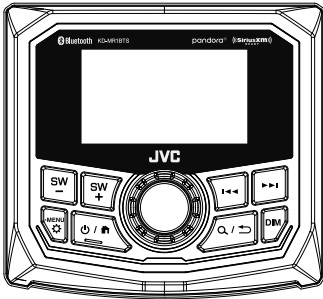
- When you purchase optional accessories, check with your JVC dealer to make sure that they work with your model and in your area.
- The Radio Data System or Radio Broadcast Data System feature won't work where the service is not supported by any broadcasting station.

■ Protecting the monitor

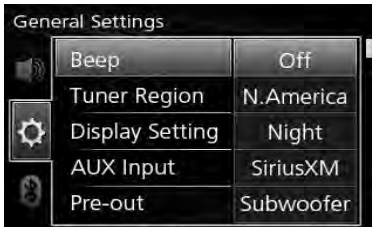
- To protect the monitor from damage, do not operate the monitor using a ballpoint pen or similar tool with the sharp tip.

Getting Started

Set the general settings



- 1 Press / to turn on the power.
- 2 Press and hold to display the settings.



- 3 Press / to select [] (General Settings).
- 4 Turn the volume knob to select an item (see the following table), then press the knob.
- 5 Repeat step 4 until the desired item is selected/activated or follow the instructions stated on the selected item.
- 6 Press / .

Beep

Turn the key touch tone on or off.
"ON" (Default), "OFF"

Tuner Region

- N.America (Default):** For North America, AM/FM intervals: 10 kHz/200 kHz
- S.America:** For Central/South America, AM/FM intervals: 10 kHz/50 kHz
- Eur/Rus/Asia:** For Europe, Russia and Asia, AM/FM intervals: 9 kHz/50 kHz.
- Japan:** For Japan, AM/FM intervals: 9 kHz/100 kHz.
- M.East:** For Middle East, AM/FM intervals: 9 kHz/50 kHz.
- Aust.:** For Australia, AM/FM intervals: 9 kHz/50 kHz.

Display Setting

You can change the display design.
"Night" (Default), "Auto", "Day"

AUX Input

SiriusXM (Default): Set to [SiriusXM] when connecting the SiriusXM® Satellite Radio Tuner.

AUX: Set to [AUX] when connecting the Portable audio player.

Pre-out

Selects whether rear speakers or a subwoofer are connected to the preout terminals on the rear of the unit (through an external amplifier).
"Full Range", "Subwoofer" (Default)

Source Gain

Finely adjust the volume of the current source to minimize the difference in volume between different sources.
"-3dB" – "0dB" (Default) – "3dB"
Global Input: "-18dB" – "0dB" (Default)

Int. Amplifier

Selecting "OFF" turns off the built-in amplifier. Turning off the built-in amplifier improves the quality of the sound from Preout.
"ON" (Default), "OFF"

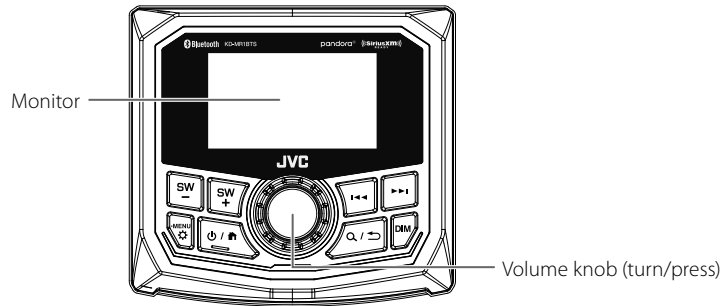
Voltage Gauge

Display the supplied voltage.

Factory Reset

Select [Audio], [System], or [SiriusXM] and then select [Yes] to set all the settings to the initial default settings.

Basics



Common operations

Turning on the power

1 Press / .

Turning off the power

1 Press and hold / .

Adjusting the volume

1 Turn the volume knob.

Mutes the sound or Play/pause

1 Press the volume knob.

- Tuner/SiriusXM/AUX
 - appears when the mute function is active.
 - To restore the sound, press again, or adjust the volume.
- USB/iPod/Pandora
 - Plays or pauses.

Select dimmer mode

1 Press the <DIM> button.
Dimmer, off

Select a source

1 Press / to display the HOME screen.
HOME screen appears.

2 Turn the volume knob to select the source, then press the knob.



Switches to the FM tuner broadcast. **(P.8)**

Switches to the AM tuner broadcast. **(P.8)**

Switches to the WB (Weather Band) tuner broadcast. **(P.8)**

[USB]
 Plays files on a USB device. **(P.5)**

[iPod]
 Plays an iPod/iPhone. **(P.6)**
• When iPod/iPhone is connected.

Plays a Bluetooth audio player. **(P.12)**

Switches to Pandora. **(P.7)**

[SiriusXM]
 Switches to the SiriusXM® satellite radio broadcast. **(P.9)**

[AUX]
 Switches to an external component connected to the AUX input terminal. **(P.11)**

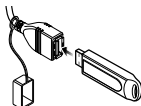
Displays the view camera screen. **(P.11)**

USB

Preparation

■ Connecting a USB device

- 1 Connect the USB device with the USB cable (sold separately).



- USB maximum power supply current : DC 5 V = 1 A

- 2 Press <⏻ / 🏠> to display the HOME screen.
- 3 Turn the volume knob to select [USB], then press the knob.

■ To disconnect the USB device:

- 1 Press <⏻ / 🏠> to display the HOME screen.
- 2 Turn the volume knob to select other than [USB], then press the knob.
- 3 Detach the USB device.

📎 NOTE

- For playable file types and other information, see P.18.

Playback operations



Source screen

List screen

To	Do this
Play/pause	Press the volume knob.
Select a file	Press <⏮>/<⏭> repeatedly.
Fast-backward/ Fast-forward	Press and hold <⏮>/<⏭>.
Previous/next folder	Press and hold <SW->/<SW+>.

■ Source screen

- 1 Playback status/Playing time/Total playing time
Play time bar : For confirmation of current playing position
- 2 : Repeat playback mode indicator
 : Random playback mode indicator
- 3 Displays the information of the current file.
Only a file name is displayed if there is no tag information.

■ Selecting a track in a list (Searches file)

- 1 Press <Q / ↵> to display the List screen.
- 2 Turn the volume knob to select the desired folder, then press the knob.
 - When you select a folder its contents are displayed.
 - To return to the previous layer, press <Q / ↵>.
- 3 Turn the volume knob to select the desired item, then press the knob.

Function settings

- 1 Press to display the function menu.
- 2 Turn the volume knob to select the item to set (see the table below), then press the knob to make a selection.
- 3 Press <Q / ↵>.

Browsing See *Selecting a track in a list (P.5)*.

Repeat

- All: Repeats all files. ()
- One: Repeats the current file. ()
- Folder: Repeats all files in the current folder. ()

Random

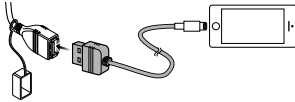
- Off: Normal playback.
- Folder: Randomly plays all files in the current folder. ()

iPod/iPhone

Preparation

■ Connecting iPod/iPhone

- 1 Connect the iPod/iPhone using the KS-U62 (optional accessory).



- USB maximum power supply current : DC 5 V = 1 A

- 2 Press **<⏻ / 🏠>** to display the HOME screen.
- 3 Turn the volume knob to select [iPod], then press the knob.

■ To disconnect the iPod/iPhone

- 1 Press **<⏻ / 🏠>** to display the HOME screen.
- 2 Turn the volume knob to select other than [iPod], then press the knob.
- 3 Detach the iPod/iPhone.

■ Connectable iPod/iPhone

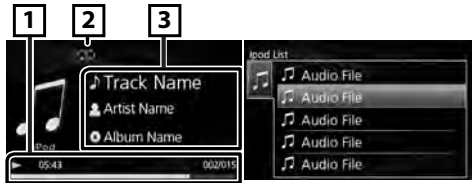
The following models can be connected to this unit.
Made for

- iPhone XS Max
- iPhone XS
- iPhone XR
- iPhone X
- iPhone 8 Plus
- iPhone 8
- iPhone 7 Plus
- iPhone 7
- iPhone SE
- iPhone 6s Plus
- iPhone 6s
- iPhone 6 Plus
- iPhone 6
- iPhone 5s
- iPod touch (6th generation)

📎 NOTE

- If you start playback after connecting the iPod, the music that has been played by the iPod is played first.

Playback operations



Source screen

List screen

To	Do this
Play/pause	Press the volume knob.
Select a file	Press <⏮>/<⏭> repeatedly.
Fast-backward/ Fast-forward	Press and hold <⏮>/<⏭> .

■ Source screen

- 1 Playback status/Playing time/File number
Play time bar : For confirmation of current playing position
- 2 : Repeat playback mode indicator
 : Random playback mode indicator
- 3 Displays the information of the current file.

■ Selecting a content in a list

- 1 Press **<Q / ⏪>** to display the List screen.
- 2 Turn the volume knob to select category, then press the knob.
 - To return to the previous layer, press **<Q / ⏪>**.
- 3 Turn the volume knob to select the desired item, then press the knob.

Function settings

- 1 Press **<⚙️>** to display the function menu.
- 2 Turn the volume knob to select the item to set (see the table below), then press the knob to make a selection.
- 3 Press **<Q / ⏪>**.

Browsing	See Selecting a content in a list (P.6) .
Repeat	All: Repeats all files. () One: Repeats the current file. () Off: Repeat off.
Random	Off: Normal playback. All: Functions the same as "Shuffle Songs". ()

Pandora®

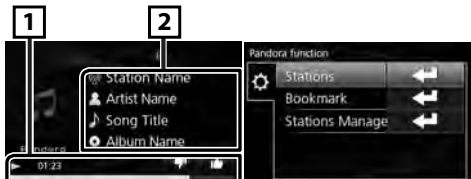
You can listen to Pandora® on this unit by controlling the application installed in the iPhone or Bluetooth device.

Preparation

- Install the latest version of the Pandora® application on your iPhone or Android.
 - **iPhone:** Search for "Pandora" in the Apple App Store to find and install the most current version.
 - **Android:** Visit the Google play and search for Pandora to install.
- iPhones are connected via either USB or Bluetooth.
- Android devices are connected via Bluetooth.
- To connect a smartphone via Bluetooth, register it as the Bluetooth device. See **Register your smartphone to the unit (P.12)**.

Playback operations

- 1 Launch Pandora App in your smartphone.
- 2 Press <⏻ / 🏠> to display the HOME screen.
- 3 Turn the volume knob to select [Pandora], then press the knob.



Source screen

Menu screen

To	Do this
Play/pause	Press the volume knob.
Skips the current song	Press <▶▶▶>.
Thumbs up or thumbs down	Press and hold <SW+>/<SW->. <ul style="list-style-type: none"> • If thumbs down is selected, the current track is skipped.

■ Source screen

- 1 Playback status/Playing time/File number
Play time bar : For confirmation of current playing position
- 2 Displays the information of the current file.

■ Search for a registered station

- 1 Press <⚙> to display the function menu.
- 2 Turn the volume knob to select [Stations], then press the knob.

3 Turn the volume knob to select item, then press the knob.

- **[Sort Date]:** According to the registered date
- **[Sort A-Z]:** By alphabetical order
- To return to the previous layer, press <⏪ / ⏩>.

4 Turn the volume knob to select the desired station, then press the knob.

■ Bookmark current song information

- 1 Press <⚙> to display the function menu.
- 2 Turn the volume knob to select [Bookmark], then press the knob.
- 3 Turn the volume knob to select item ([Artist], [Track]), then press the knob.
 - To return to the previous layer, press <⏪ / ⏩>.

■ Create and save a new station

- 1 Press <⚙> to display the function menu.
- 2 Turn the volume knob to select [Stations Manage], then press the knob.
- 3 Turn the volume knob to select item, then press the knob.
 - **[Cre. from Artist]:** Creates a new station based on the artist who is playing now.
 - **[Cre. from Track]:** Creates a new station based on the song being played.
 - **[Delete]:** Delete the now playing station. Select **[Yes]** on the confirmation screen.
 - To return to the previous layer, press <⏪ / ⏩>.

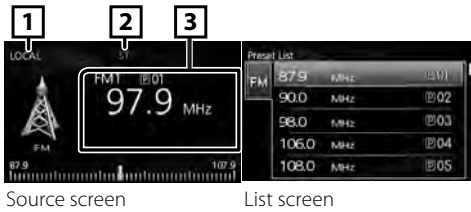
NOTE

- In the application on your device, log in and create an account with Pandora. (If you are not already a registered user, an account can also be created at www.pandora.com.)
- Establish an Internet connection.
- Pandora is only available in certain countries. Please visit <http://www.pandora.com/legal> for more information.
- Because Pandora® is a third-party service, the specifications are subject to change without prior notice. Accordingly, compatibility may be impaired or some or all of the services may become unavailable.
- Some functions of Pandora® cannot be operated from this unit.
- For issues on using the application, please contact Pandora® at pandora-support@pandora.com.

Tuner

Tuner basic operations

- 1 Press **<⏪ / ⏩>** to display the HOME screen.
- 2 Turn the volume knob to select [FM], [AM], or [WB], then press the knob.
- 3 Press **<◀▶>/<▶▶>** to search for a station automatically.
 "Auto Seek" appears.
 (or)
 Press and hold **<◀▶>/<▶▶>** repeatedly to search for a station manually.
 "Manual Seek" appears.



NOTE

- The **ST** indicator lights up when receiving an FM stereo broadcast with sufficient signal strength.
- To store stations, perform **[Add Presets]** or **[Auto Store]**.
- To select a stored station: Press and hold **<SW-> / <SW+>**.

Source screen

- 1 LOCAL indicator
- 2 ST (Stereo) indicator
- 3 Displays the information of the current station: PS name, Frequency, PTY Genre, Indicator Items

Select a stored station of the current band

You can preset 6 stations for the current band (FM1/FM2/FM3/AM1/AM2/WB).

- 1 Press **<Q / ↵>** to display the List screen.
- 2 Turn the volume knob to select a preset number, then press the knob.

NOTE

- To exit, press **<Q / ↵>**.

Function settings

- 1 Press **<⚙>** to display the function menu.
- 2 Turn the volume knob to select the item to set (see the table below), then press the knob to make a selection.
- 3 Press **<Q / ↵>**.

Add Presets Stores a station manually to the current band.
 While listening to a station you want to store, turn the volume knob to select a preset number, then press the knob.

Remove Presets Remove stored a station to the current band.
 Turn the volume knob to select a preset number, then press the knob.

FM *1 Select the preset band (FM1/FM2/FM3).

AM *2 Select the preset band (AM1/AM2).

Auto Store *1*2 Automatically searches and stores the 6 stations with the strongest signals for the selected band.
 • "Auto Store" appears.

Local *1*2 Tunes in only to the stations with sufficient signal strength. (**LOCAL** indicator lights up.)
 "ON", "OFF" (Default)

RBDS *1 **ON (Default):** Activates FM Radio Broadcast Data System features.
OFF: Deactivates the function.

*1 FM only

*2 AM only

SiriusXM®

Only SiriusXM® brings you more of what you love to listen to, all in one place. Get over 140 channels, including commercial-free music plus the best sports, news, talk, comedy and entertainment. Welcome to the world of satellite radio. A SiriusXM Connect Tuner and Subscription are required. For more information, visit www.siriusxm.com.

Activating subscription

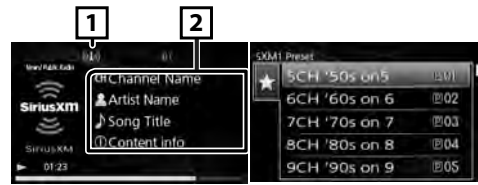
- Check your Radio ID.
The SiriusXM Satellite Radio ID is required for activation and can be found by tuning in Channel 0 as well as on the label found on the SiriusXM Connect tuner and its package. The Radio ID does not include the letters I, O, S or F.
- Activate the SiriusXM Connect Connect Tuner using either one of the two methods below:
 - For users in U.S.A.
Online: Visit www.siriusxm.com/activatenow
Phone: Call SiriusXM Listener Care at 1-866-635-2349
 - For users in Canada:
Online: Visit <http://www.siriusxm.ca/help/activation-help/>
Phone: Call XM customer Care at 1-877-438-9677

NOTE

- To use SiriusXM® Satellite Radio, the optional accessory is necessary. "Supplied accessories for installation" (P.15)
- To select the SiriusXM source, it is necessary to set "AUX Input" to "SiriusXM" in [General Settings]. (P.3).

SiriusXM® basic operations

- 1 Press **<P>** / **<H>** to display the HOME screen.
- 2 Turn the volume knob to select [SiriusXM], then press the knob.
- 3 Press **<G>** to display the function menu.
- 4 Turn the volume knob to select [CATEGORY], then press the knob.
- 5 Turn the volume knob to select a category, then press the knob.
- 6 Turn the volume knob to select a channel, then press the knob.
(or)
Press **<L<<<>/>>>>** to search for a channel manually.
 - Pressing and holding **<L<<<>/>>>>** changes the channel rapidly.



Source screen

List screen

NOTE

- To select a stored station: Press and hold **<SW->** / **<SW+>**.

Source screen

- 1 Signal Strength indication
- 2 Displays the information of the current channel: Channel name, Artist name, Song title, Content Info

Select a stored channel of the current band

You can preset 6 channels for the current band (SXM1/SXM2/SXM3).

- 1 Press **<Q / >** to display the List screen.
- 2 Turn the volume knob to select a preset number, then press the knob.

NOTE

- To exit, press **<Q / >**.

Direct Access Tuning

You can tune in a channel directly.

- 1 Press **<G>** to display the function menu.
- 2 Turn the volume knob to select [Direct Tuning], then press the knob.
- 3 Turn the volume knob to select the entry position, then press the knob.
- 4 Turn the volume knob to select a number, then press the knob.
- 5 Repeat step 3 to 4 until the channel number is completed.

SiriusXM®

Function settings

- 1 Press to display the function menu.
- 2 Turn the volume knob to select the item to set (see the table below), then press the knob to make a selection.
- 3 Press / .

SXM	Select the preset band (SXM1/SXM2/SXM3).
Add Presets	Stores a channel manually to the current band. While listening to a channel you want to store, turn the volume knob to select a preset number, then press the knob.
Remove Presets	Remove stored a channel to the current band. Turn the volume knob to select a preset number, then press the knob.
Channel	Displays a complete listing of channels. • To switch the information on the list (channel name/artist name/song title/content information), press / .
Category	You can specify the desired category and select a channel. 1) Select a category. 2) Select a channel.
Direct Tuning	Display the direcchannel search screen. (P.9)
Parental Contr.	See Parental Control (P.10) .

Parental Control

Parental Control is a feature that provides the user with the ability to prevent unauthorized access to mature content and user selected channels.

■ Activating parental control

- 1 Press to display the function menu.
- 2 Turn the volume knob to select [Parental Contr.], then press the knob.
- 3 Turn the volume knob to select [Parental Contr.], then press the knob.
- 4 Enter the initial parental code ("1111")
 - 1) Turn the volume knob to select a number, then press the knob.
 - 2) Repeat step 1 until the parental code is completed.

■ Parental Lock channel selection

- 1 Press to display the function menu.
- 2 Turn the volume knob to select [Parental Contr.], then press the knob.
- 3 Turn the volume knob to select [Lock Channels], then press the knob.
- 4 Enter the parental code.
 - 1) Turn the volume knob to select a number, then press the knob.
 - 2) Repeat step 1 until the parental code is completed.
- 5 Turn the volume knob to select a channel you want to lock, then press the knob.
"🔒" appears.
- 6 Press / .

■ Changing the parental code

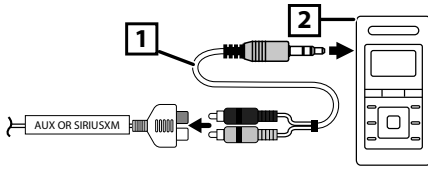
- 1 Press to display the function menu.
- 2 Turn the volume knob to select [Parental Contr.], then press the knob.
- 3 Turn the volume knob to select [Change Code], then press the knob.
- 4 Enter the old parental code.
 - 1) Turn the volume knob to select a number, then press the knob.
 - 2) Repeat step 1 until the parental code is completed.
- 5 Enter a new four-digit code.
- 6 Repeat step 5 above to confirm the new code.

Reset to the default settings

- 1 Press and hold to display the settings.
- 2 Press / to select [] (General Settings).
- 3 Turn the volume knob to select [Factory Reset], then press the knob.
- 4 Turn the volume knob to select [SiriusXM], then press the knob.
- 5 Turn the volume knob to select [Yes], then press the knob.

External Components

Using external audio players



- 1 3.5 mm stereo mini plug to RCA plug (Sold separately)
- 2 Portable audio player (Sold separately)

Starting playback

- 1 Connect an external component to the AUX input terminal.
- 2 Press **<⏪ / 🏠>** to display the HOME screen.
- 3 Turn the volume knob to select [AUX], then press the knob.
- 4 Turn on the connected component and start playing the source.

NOTE

- To select the AV-IN source, it is necessary to set "AUX Input" to "AUX" in [General Settings]. **(P.3)**.

Camera

A reverse trigger is provided to activate the camera when putting the vehicle in reverse or you may select the camera from the source menu.

Displaying the picture from the camera

The camera screen is displayed when you shift the gear to the reverse (R) position.



To display the picture from the camera manually

- 1 Press **<⏪ / 🏠>** to display the HOME screen.
- 2 Turn the volume knob to select [CAMERA], then press the knob.

Bluetooth® smartphone

About the Bluetooth smartphone and Bluetooth audio player

This unit conforms to the following Bluetooth specifications:

Version

Bluetooth 3.0

Profile

Audio player:

A2DP (Advanced Audio Distribution Profile)

AVRCP (V1.5) (Audio/Video Remote Control Profile)

Sound codec

SBC

Register your smartphone to the unit

You can use your Bluetooth smartphone when paired to this unit.

- You can pair the device and the unit using SSP (Secure Simple Pairing) which only requires confirmation.
- One device can be connected at a time.
- When you register a new Bluetooth device, disconnect the Bluetooth device currently connected and then register the new device.

1 Turn on the Bluetooth function on your smartphone.

2 Search the unit ("JVC MR1") from your smartphone.

If a PIN code is required, enter the PIN code ("0000").

Disconnecting the device

- Turn off the Bluetooth function from your smartphone.
- Turn off the ignition switch.

Playing Bluetooth Audio Device

1 Press <P> / <H> to display the HOME screen.

2 Turn the volume knob to select [BT Audio], then press the knob.



Source screen

List screen

To	Do this
Play/pause	Press the volume knob.
Select a file	Press <L<<>/<>>> repeatedly.
Fast-backward/ Fast-forward	Press and hold <L<<<>/<>>>>.

NOTE

- Operations and display indications may differ according to their availability on the connected device.

Source screen

- Playback status/Playing time/File number
Play time bar: For confirmation of current playing position
- : Repeat playback mode indicator
: Random playback mode indicator
- Displays the information of the current file.

Selecting a content in a list

- Press <Q / <R> to display the List screen.
- Turn the volume knob to select an item, then press the knob.
 - To return to the previous layer, press <Q / <R>.

Function settings

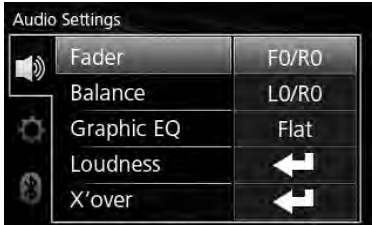
- Press <G> to display the function menu.
- Turn the volume knob to select the item to set (see the table below), then press the knob to make a selection.
- Press <Q / <R>.

Browsing	See Selecting a content in a list (P.12) .
Repeat	All: Repeats all files. () One: Repeats the current file. () Off: Repeat off.
Random	Off: Normal playback. On: Randomly plays all files. ()

Setup

Settings

- 1 Press and hold to display the settings.
- 2 Press / to select the category.



- 3 Turn the volume knob to select an item (see the following table), then press the knob.
- 4 Repeat step 3 until the desired item is selected/activated or follow the instructions stated on the selected item.
- 5 Press / .

Audio Settings

Fader	F12 — R12 (F0/R0): Adjusts the front and rear speaker output balance.
Balance	L12 — R12 (LO/R0): Adjusts the left and right speaker output balance.
Graphic Equalizer	Selects a preset equalizer suitable to the music genre. Flat / Hard Rock / Classical / Pop / Dance / DRVN / Hip Hop / User Select [User] to use the settings made 1) Press the volume knob to select the frequency. 2) Turn the volume knob to adjust the level. 3) Press / .
Loudness	Sets the amounts of boost of low and high tones. "ON", "OFF" (Default)
X'over	You can set the crossover frequency of speakers. 1) Press / to select the speaker. 2) Press the volume knob to select the item. 3) Turn the volume knob to adjust the value. 4) Press / .

General Settings (P.3)

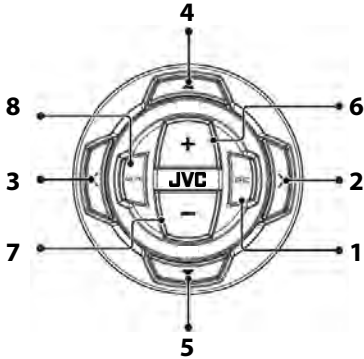
Bluetooth Settings

- Discoverable** Enable (Default)/Disable: Activates or deactivates the Bluetooth functions.
- Device Name** The Bluetooth device name of this unit is displayed.

Remote control

This unit can be operated using the remote control.
The wired remote control RM-RK62M (optional accessory) can be used.

Functions of the remote control buttons



1	SRC	Switches to the source to be played.
2/3	> <	Selects the track or file to be played. During tuner source, switches to broadcast stations received by the unit.
4/5	▲ ▼	During tuner source, select FM/AM band to be received.
6/7	VOL + -	Adjusts the volume.
8	MUTE	Tuner/SiriusXM/AUX Mutes/restores the sound. USB/iPod/Pandora Plays or pauses.

Installation

Before installation

Before installation of this unit, please note the following precautions.

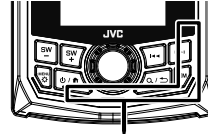
▲ WARNINGS

- If you connect the ignition wire (red) to the negative ground point, you may cause a short circuit, that in turn may start a fire. Always connect those wires to the power source running through the fuse box.
- Do not cut out the fuse from the ignition wire (red). The power supply must be connected to the wires via the fuse.

✎ NOTE

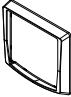
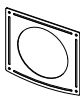
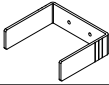



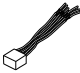

- Mounting and wiring this product requires skills and experience. For best safety, leave the mounting and wiring work to professionals.
- Make sure to ground the unit to a negative 12V DC power supply.
- Do not use your own screws. Use only the screws provided. If you use the wrong screws, you could damage the unit.
- If your vessel ignition does not have an ACC position, connect the ignition wires to a power source that can be turned on and off with the ignition key. If you connect the ignition wire to a power source with a constant voltage supply, such as with battery wires, the battery may be drained.
- If the console has a lid, make sure to install the unit so that the front panel will not hit the lid when closing and opening.
- If the fuse blows, first make sure the wires aren't touching to cause a short circuit, then replace the old fuse with one with the same rating.
- Insulate unconnected wires with vinyl tape or other similar material. To prevent a short circuit, do not remove the caps on the ends of the unconnected wires or the terminals.
- Secure the wires with cable clamps and wrap vinyl tape around the wires that comes into contact with metal parts to protect the wires and to prevent short circuit.
- Connect the speaker wires correctly to the terminals to which they correspond. The unit may be damaged or fail to work if you share the ⊖ wires or ground them to any metal part in the vessel.
- When only two speakers are being connected to the system, connect the connectors either to both the front output terminals or to both the rear output terminals (do not mix front and rear). For example, if you connect the ⊕ connector of the left speaker to a front output terminal, do not connect the ⊖ connector to a rear output terminal.

- After the unit is installed, check whether the signal lamps, wipers, etc. on the vessel are working properly.
- Reception may drop if there are metal objects near the Bluetooth antenna.



Bluetooth antenna unit

■ Supplied accessories for installation

①		x1	②		x1
③		x1	④	 (M3.5 × 25 mm)	x4
⑤	 (M4)	x8	⑥	 (M4 × 37 mm)	x2
⑦		x1	⑧		x1

■ Installation procedure

- 1) To prevent a short circuit, remove the key from the ignition and disconnect the ⊖ terminal of the battery.
- 2) Make the proper input and output wire connections for each unit.
- 3) Connect the wire on the wiring harness.
- 4) Connect the wiring harness wires in the following order; ground, battery, ignition.
- 5) Connect the wiring harness connector to the unit.
- 6) Install the unit in your vessel.
- 7) Reconnect the ⊖ terminal of the battery.

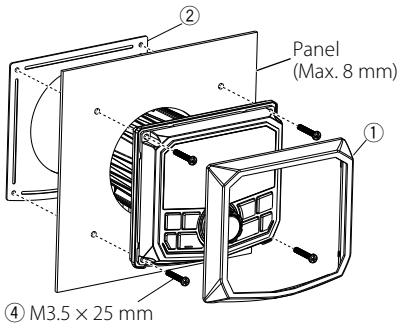
Installation

Installing the unit

■ Mounting (Using Mounting Plate)

To mount the unit, you will need to find a flat surface with adequate clearance behind it that provides enough clearance for the unit and all its necessary wiring.

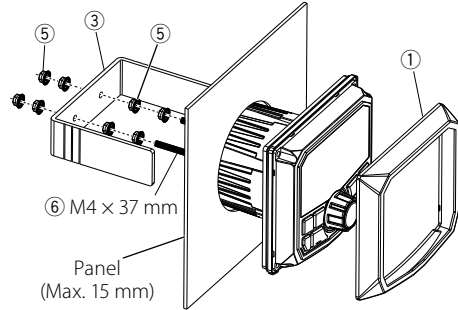
- 1) Once you have determined a mounting location, you will need to cut a circular hole 77 mm (3inch) in diameter.
- 2) After the hole is cut slide the unit and wiring through the hole.
- 3) Slide the mounting plate (accessory ②) over the backside of the unit and secure with the supplied screws (accessory ④).
- 4) Press on the trim plate (accessory ①) to the front side of the unit.
- 5) Plug in all wiring harnesses and cables. Refer to the wiring diagram for wire harness connection types.



■ Mounting (Using U Bracket)

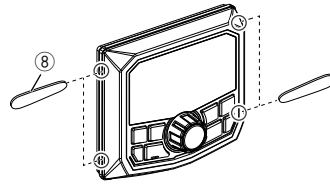
To mount the unit, you will need to find a flat surface with adequate clearance behind it that provides enough clearance for the unit and all its necessary wiring.

- 1) Attach the screw with nut (accessory ⑥) to the back of the unit.
- 2) Once you have determined a mounting location, you will need to cut a circular hole 77 mm (3inch) in diameter.
- 3) After the hole is cut slide the unit and wiring through the hole.
- 4) Take the bracket (accessory ③) and slide over the two studs on the back of the unit. Tighten down with supplied nuts (accessory ⑤).
- 5) Press on the trim plate (accessory ①) to the front side of the unit.
- 6) Plug in all wiring harnesses and cables. Refer to the wiring diagram for wire harness connection types.

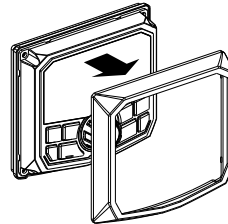


■ Removing the trim plate

- 1) Use the extraction key (accessory ⑧) to lever out the four tabs (two on the left part, two on the right part).

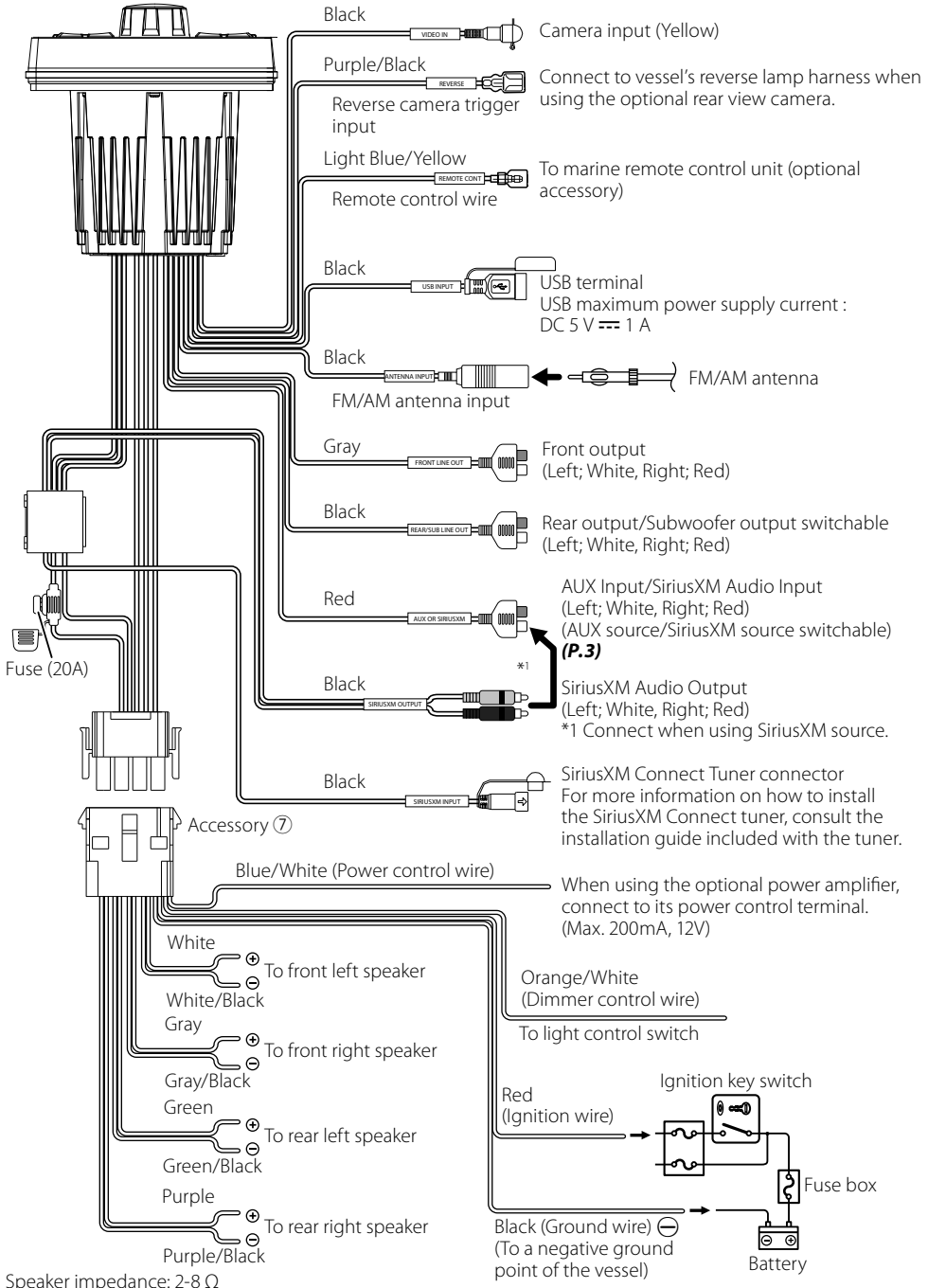


- 2) Pull the trim plate forward.



Installation

■ Connecting wires to terminals



About this Unit

Maintenance

Cleaning the Unit

If the front panel of this unit is stained, wipe it with a dry soft cloth such as a silicon cloth. If the front panel is stained badly, wipe the stain off with a cloth moistened with neutral cleaner, then wipe it again with a clean soft dry cloth.

CAUTION

- Applying spray cleaner directly to the unit may affect its mechanical parts. Wiping the front panel with a hard cloth or using a volatile liquid such as thinner or alcohol may scratch the surface or erase screened print.

More information

Usable USB device

This unit can play MP3/ WMA/ FLAC files stored in a USB mass storage class device.

- File system: FAT32
- This unit can recognize a total of 999 files and 255 folders (a maximum of 999 files per folder).
- The maximum number of characters:
 - Folder names : 24 characters
 - File names : 24 characters
 - Tag : 30 (Title) /15 (Artist/ Album) characters

NOTE

- When the USB device is connected to this unit, it can be charged through the USB cable.
- Install the USB device in the place where it will not affect safe driving.
- You cannot connect a USB device via a USB hub and Multi Card Reader.
- Take backups of the audio files used with this unit. The files may be erased depending on the operating conditions of the USB device. We shall have no compensation for any damage arising from any erased data.
- No USB device comes with this unit. You need to purchase a commercially available USB device.
- Cap the USB terminal whenever not using.

Playable Audio files

Audio format	Bit rate	Sampling frequency
MP3 (.mp3)	32 – 384kbps, VBR	16 – 48 kHz
WMA (.wma)	16 – 320kbps	16 – 48 kHz
FLAC (.flac)	–	8 – 48 kHz

- This unit can show ID3 Tag Version 1.0/1.1/2.2/2.3/2.4 (for MP3).
- The maximum number of characters:
 - Tag : 30 (Title) /15 (Artist/ Album) characters

NOTE

- WMA of which is covered with DRM cannot be played.
- Although the audio files are complied with the standards listed above, the play may be impossible depending on the types or conditions of media or device.

About this Unit

Troubleshooting

What appears to be trouble is not always serious. Check the following points before calling a service center.

- For operations with the external components, refer also to the instructions supplied with the adapters used for the connections (as well as the instructions supplied with the external components).

General

No sound comes out of the speakers.

- Adjust the volume to the optimum level.
- Check the cords and connections.

The remote controller does not work.

- Replace the battery.

USB

While playing a track, sound is sometimes interrupted.

- The tracks are not properly copied into the USB device. Copy the tracks again, and try again.

iPod/iPhone

No sound comes out of the speakers.

- Disconnect the iPod/iPhone, then connect it again.
- Select another source, then reselect "iPod".

The iPod/iPhone does not turn on or does not work.

- Check the connecting cable and its connection.
- Update the firmware version of iPod/iPhone.
- Charge the battery of iPod/iPhone.
- Reset the iPod/iPhone.

Sound is distorted.

- Deactivate the equalizer either on this unit or the iPod/iPhone.

A lot of noise is generated.

- Turn off (uncheck) "VoiceOver" on the iPod/iPhone. For details, visit <<http://www.apple.com>>.

Tuner

Automatic presetting does not work.

- Store stations manually. (P.8)

Static noise while listening to the radio.

- Connect the antenna firmly.

Bluetooth

Phone sound quality is poor.

- Reduce the distance between the unit and the Bluetooth device.

The sound is interrupted or skipped while using a Bluetooth audio player.

- Reduce the distance between the unit and the Bluetooth audio player.
- Turn off, then turn on the unit. (When the sound is not yet restored) connect the player again.

The connected audio player cannot be controlled.

- Check whether the connected audio player supports AVRCP (Audio/Video Remote Control Profile).

The Bluetooth device does not detect the unit.

- Search from the Bluetooth device again.

The unit does not pair with the Bluetooth device.

- Turn off, then turn on the Bluetooth device.
- Disconnect the Bluetooth device currently connected and then register the new device.

(P.12)

About this Unit

Specifications

Water proof

: IPX6 (Equivalent to IEC standard publication 529 IPX6)
(IPX6 Faceplate, IPX4 Body)

Monitor section

Picture Size
: 2.7 inch Color TFT

Back Lighting
: LED

USB interface section

USB Standard
: USB 2.0 (Full Speed)

Compatible Devices
: Mass storage class

File System
: FAT 32

Capacity
: 32 GB max, 255 Folders max, 999 Files per Folder max

Maximum Power Supply Current
: DC 5 V $\overline{\text{---}}$ 1 A

Frequency Response
: 20 – 20,000 Hz

MP3 decode
: Compliant with MPEG-1 Audio Layer-3

WMA decode
: Compliant with Windows Media Audio

FLAC Decode
: FLAC file, up to 16bit/48kHz

Bluetooth section

Technology
: Bluetooth 3.0

Frequency
: 2.4 GHz – 2.4835 GHz

Output Power
: 0 dBm (AVE), Power Class2

Maximum Communication range
: Line of sight approx. 10m (32.8 ft)

Pairing
: SSP(Secure Simple Pairing)

Profile

- A2DP (Advanced Audio Distribution Profile)
- AVRCP (V1.5) (Audio/Video Remote Control Profile)

FM tuner section

Frequency Range (step)
North America: 87.9 MHz – 107.9 MHz (200 kHz)
South America, Europe, Russia, Asia, Middle East, Australia: 87.5 MHz – 108 MHz (50 kHz)
Japan: 76.0 MHz – 99.0 MHz (100 kHz)

AM tuner section

Frequency Range (step)
North America, South America
: 530 kHz – 1700 kHz (10 kHz)
Europe, Russia, Asia: 531 kHz – 1611 kHz (9 kHz)
Japan: 522 kHz – 1629 kHz (9 kHz)
Middle East: 531 kHz – 1602 kHz (9 kHz)
Australia: 531 kHz – 1701 kHz (9 kHz)

Weather Band tuner section

Frequency Range (step)
USA/Canada: 162.400 MHz – 162.550 MHz (25 kHz)

Equalizer

Band
: 7 Band

Frequency
: 80/250/500/1k/2k/4k/10kHz

Gain
: -12 — +12 (-6 dB — +6 dB)

Audio section

Maximum Power
: 34 W \times 4 (@ 4 Ω , Peak), 50 W \times 4 (@ 2 Ω , Peak)

Full Bandwidth Power (1% THD)
: 19 W \times 4 (@ 4 Ω , RMS), 28 W \times 4 (@ 2 Ω , RMS)

Preout Level/ Load
: 2000 mV/ 10 k Ω (USB)

Preout Impedance
: \leq 500 Ω

Speaker Impedance
: 2 – 8 Ω

FCC STATEMENT

1. This device complies with Part 15 of the FCC Rules. Operation is subject to the following two conditions:

- (1) This device may not cause harmful interference, and
 - (2) This device must accept any interference received, including interference that may cause undesired operation.
2. any Changes or modifications not expressly approved by the party responsible for compliance could void the user's authority to operate the equipment.

NOTE: This equipment has been tested and found to comply with the limits for a Class B digital device, pursuant to Part 15 of the FCC Rules. These limits are designed to provide reasonable protection against harmful interference in a residential installation.

This equipment generates uses and can radiate radio frequency energy and, if not installed and used in accordance with the instructions, may cause harmful interference to radio communications. However, there is no guarantee that interference will not occur in a particular installation. If this equipment does cause harmful interference to radio or television reception, which can be determined by turning the equipment off and on, the user is encouraged to try to correct the interference by one or more of the following measures:

Reorient or relocate the receiving antenna.

Increase the separation between the equipment and receiver.

Connect the equipment into an outlet on a circuit different from that to which the receiver is connected.

Consult the dealer or an experienced radio/TV technician for help.

FCC Radiation Exposure Statement

This equipment complies with FCC radiation exposure limits set forth for an uncontrolled environment. This equipment should be installed and operated with minimum distance 20cm between the radiator & your body

This device contains licence-exempt transmitter(s)/receiver(s) that comply with Innovation, Science and Economic Development Canada's licence-exempt RSS(s).

1) This device may not cause interference; and

(2) This device must accept any interference, including interference that may cause undesired operation of the device.

Cet appareil contient des émetteurs / récepteurs exemptés de licence conformes aux RSS (RSS) d'Innovation, Sciences et Développement économique Canada.

(1) l'appareil ne doit pas produire de brouillage, et

(2) l'utilisateur de l'appareil doit accepter tout brouillage radioélectrique subi, même si le brouillage est susceptible d'en compromettre le fonctionnement."

About this Unit

■ General

Operating Voltage

: 12 V DC battery

Installation Dimensions

Panel (W × H)

: 115 × 106 mm

4-9/16 × 4-3/16 inch

Body (W × H × D)

: Ø77 × Ø77 × 74 mm

Ø3-1/16 × Ø3-1/16 × 2-15/16 inch

Weight

: 0.9 kg (2.0 lbs)

Copyrights

- The Bluetooth word mark and logos are registered trademarks owned by the Bluetooth SIG, Inc. and any use of such marks by JVC KENWOOD Corporation is under license. Other trademarks and trade names are those of their respective owners.
- Use of the Made for Apple badge means that an accessory has been designed to connect specifically to the Apple product(s) identified in the badge, and has been certified by the developer to meet Apple performance standards. Apple is not responsible for the operation of this device or its compliance with safety and regulatory standards. Please note that the use of this accessory with an Apple product may affect wireless performance.
- Apple, iPhone, iPod, iPod touch, and Lightning are trademarks of Apple Inc., registered in the U.S. and other countries.
- Microsoft and Windows Media are either registered trademarks or trademarks of Microsoft Corporation in the United States and/or other countries.
- Sirius, XM and all related marks and logos are trademarks of Sirius XM Radio Inc. All rights reserved.
- Pandora, the Pandora logo, and the Pandora trade dress are trademarks or registered trademarks of Pandora Media, Inc., used with permission.
- Android, Google Play and other marks are trademarks of Google LLC.

NOTE

- Although the effective pixels for the liquid crystal panel is given as 99.99% or more, 0.01% of pixels may not light or may light incorrectly.
- Specifications subject to change without notice.