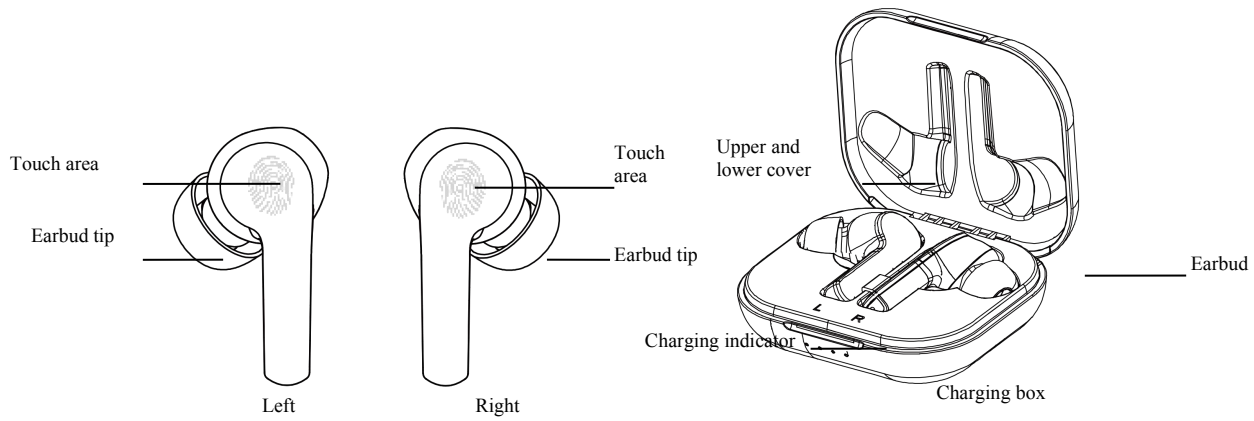


User's Manual
Willful T7

1. Product Overview



Note: Please touch the accurate position of the touch area; otherwise the earbud will not respond

Packing list:

- A. TWS Bluetooth earbud, 1 pair (1 charging box)
- B. Earbud tip (large and small-sized), 1 pair each size; medium-sized earbud tips assembled on the earbuds
- C. Type-C charging cable, 1 piece
- D. User's Manual, 1 copy

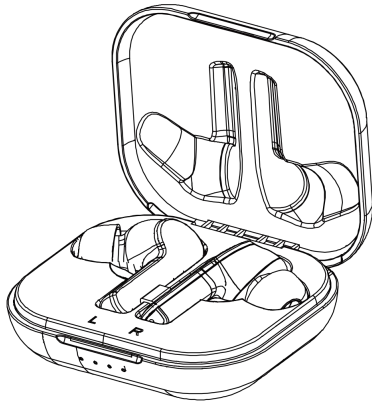
2. Basic Features

Key	Function	Operation method
Multi-function key	Power-on	The earbuds are turned on as soon as the charging box is opened. * In case that there is a pairing record, when the earbud is taken out of the charging box and powered on, it will be automatically connected back to the last connected device. If the connection fails, it will start Bluetooth pairing.
	Power-off	When the earbuds are powered on, put them into the charging box, and close the cover; then, the earbuds are turned off
	Play/Pause	When the music player is on, click the "Touch key" on the left or right earbud to play/pause music.
	Previous	When playing music, double-click the "Touch key" on the left earbud to play the previous music
	Next	When playing music, double-click the "Touch key" on the right earbud to play the next music
	Answer	When there is a call, click the "Touch key" (on either left earbud or right earbud) to answer the call
	Hang up	When answering a call, click the "Touch key" (on either left earbud or right earbud) to hang up
	Reject	When there is an incoming call, double-click the "Touch key" (on either left earbud or right earbud) to reject the call
	Voice wake-up	When the earbuds are connected in standby mode or playing music, press and hold the "Touch key" (on either left earbud or right earbud) for 2-3 seconds, and then release it to start the voice assistant after hearing the voice prompt. *It needs to be compatible on the mobile phone

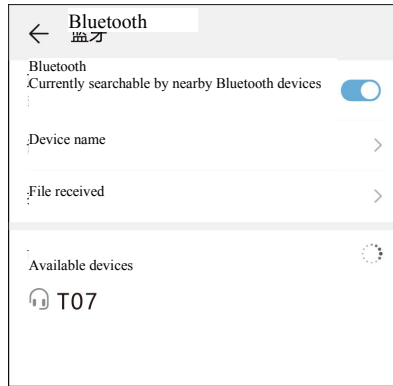
3. Bluetooth Pairing and Connection

A. To connect the earbuds for the first time, turn on the Willful T7 earbuds by opening the charging box; they will be automatically powered on and start left and right earbud pairing. After the TWS pairing is successfully completed, the earbuds will automatically start Bluetooth pairing (the earbud indicator flashes once in blue every 3 seconds).

B. Turn on the mobile phone, and enable the Bluetooth; search for the Bluetooth device, and click the "Willful T7" device once it is found to pair and connect it to the mobile phone; after the connection is successful, "Willful T7 connected" will be displayed on the mobile phone (the earbud indicator flashes once in blue every 10 seconds). After that, you can listen to the music or answer calls on the mobile phone via the Bluetooth earbuds.



Open the charging box, and start searching the Willful T7 earbuds



C. You can control the functions of earbuds, such as answering, hanging up, play the previous and next music with the touch keys on the Bluetooth earbuds

4. Remaining power indicator of the charging box (staying on for 3 seconds when the cover is opened)

Status	Indicator
When the remaining power is 0%-25%	The first white indicator is on
When the remaining power is 25%-50%	The first and the second white indicator is on
When the remaining power is 50%-75%	The first, second and third white indicator is on
When the remaining power is 75%-100%	Four white indicators are on

4.2. Charging indicator of the charging box

Status	Indicator
When 0%-25% power is charged	The first white indicator flashes slowly
When 25%-50% power is charged	The first white indicator is always on while the second white indicator is flashing slowly
When 50%-75% power is charged	The first and second white indicator are always on, and the third white indicator is flashing slowly

When 75% -99% power is charged	The first, second and third white indicator are always on, and the fourth white indicator is flashing slowly
When it is fully charged	Four white indicators are on

5. TTS Voice Prompt

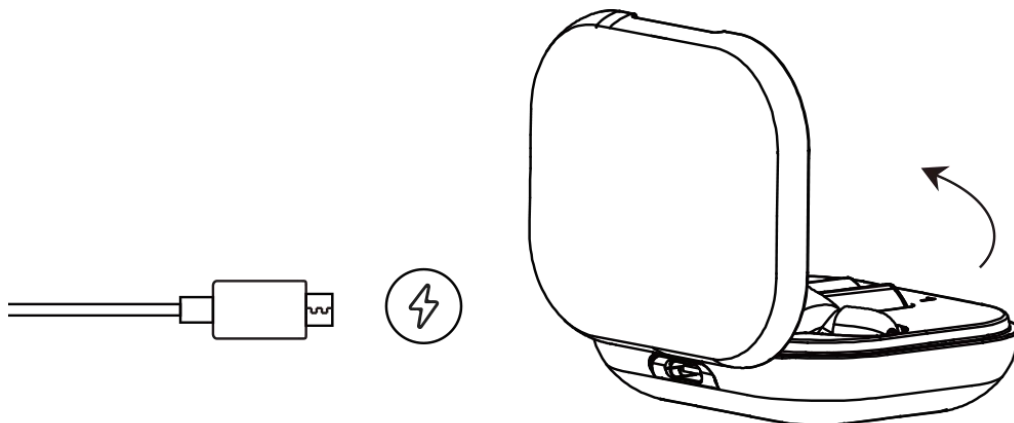
Status	TTS voice
Power On	Power on
Power Off	Power off
Start Pairing	Pairing
Bluetooth Connected	connected
Bluetooth Disconnected	Disconnected
Lower power alarm	Battery_Low

6. Charging

When the Willful T7 has low battery alarm, please immediately put the earbuds into the charging box to charge them. It can take 2 hours to fully charge them. When the earbuds are being charged, the indicator of the charging box will be always on (When the left earbud is being charged, the left-most indicator will be always on; when the right earbud is being charged, the right-most indicator will be always on). When the earbuds are fully charged, the indicators of the charging box will go off.

Connecting for charging

Please connect the Type-C plug of the Type-C charging cable to the Type-C charging port of the charging box; connect the USB plug to the USB charger (vehicle charger, portable charger, computer USB port, etc.).



7. Specifications

Bluetooth version	Bluetooth 5.0 version
Frequency range	2.402-2.480GHz
Compatible protocols	HFP, HSP, AVRCP, A2DP
Chip	AB1536U
Decoding method	SBC AAC
Distance	UP to 10 meters
Working time	Earbud: 5 hours
Battery capacity	Earbud: 40mAh Charging box: 500mAh
Charging time	Earbud/charging box: 2 hours
Net weight	54.1g
Dimensions of charging box	L:65.05*W:56.32*H:25.60mm
Capacity of charging box	Charging box is capable of charging 3 times

*

*The battery power can last for different period of time dependent on the environment and the music played.

8. Precautions and Q & A

A. How to connect back the earbuds? What if they can't be connected back? What if there is only one earbud working?

After Willful T7 and your mobile phone are successfully connected, it will be automatically connected to your mobile phone every time it is powered on. If they cannot be connected or only one earbud works, you need to put the earbuds back to charging box, and close the cover of the charging box; waiting for 5 seconds, then open the charging box to connect them to the mobile phone.

B. Under what circumstances will them be automatically shut down?

If the pairing lasts for more than 10 minutes without any device connected, it will be automatically shut down.

C. Which devices can be used to charge the earbuds?

The earbuds can be charged with the vehicle charger, portable charger or computer USB with the DC voltage up to 5V and the current up to 1A.

FCC statement

This device complies with Part 15 of the FCC rules. Operation is subject to the following two conditions: 1) this device may not cause harmful interference, and 2) this device must accept any interference received, including interference that may cause undesired operation.

This equipment has been tested and found to comply with the limits for a Class B digital device, pursuant to Part 15 of the FCC rules. These limits are designed to provide reasonable protection against harmful interference in a residential installation. This equipment generates, uses and can radiate radio frequency energy and if not installed and used in accordance with the instructions, may cause harmful interference to radio communications. However, there is no guarantee that interference will not occur in a particular installation. If this equipment does cause harmful interference to radio or television reception, which can be determined by turning the equipment off and on, the user is encouraged to try correct the interference by one or more of the following measures:

- Reorient the receiving antenna.
- Increase the separation between the equipment and receiver.
- Connect the equipment into an outlet on a circuit different from that to which the receiver is connected.
- Consult the dealer or an experienced radio/TV technician for help.

Changes or modifications not expressly approved by the party responsible for compliance could void your authority to operate the equipment.

FCC ID:2AB75-TWS-587