

Package contents

Double Shadow Wireless Dual-mode Gaming Mouse
User's Guide

System & hardware requirements

Windows XP / Vista / 7 / 8 / 8.1 / 10

Working Voltage : 5 V

Working Current : < 20 mA

Installation & instruction

2.4GHz Mode

Mouse receiver and the frequency has been completed at the factory link.

1.The Receiver into your computer's USB port, the computer will auto perform new installer.

2.After completing the installation process, you can use a wireless mouse, in case the installation program error or failure, please repeat step 1.

Wired Mode

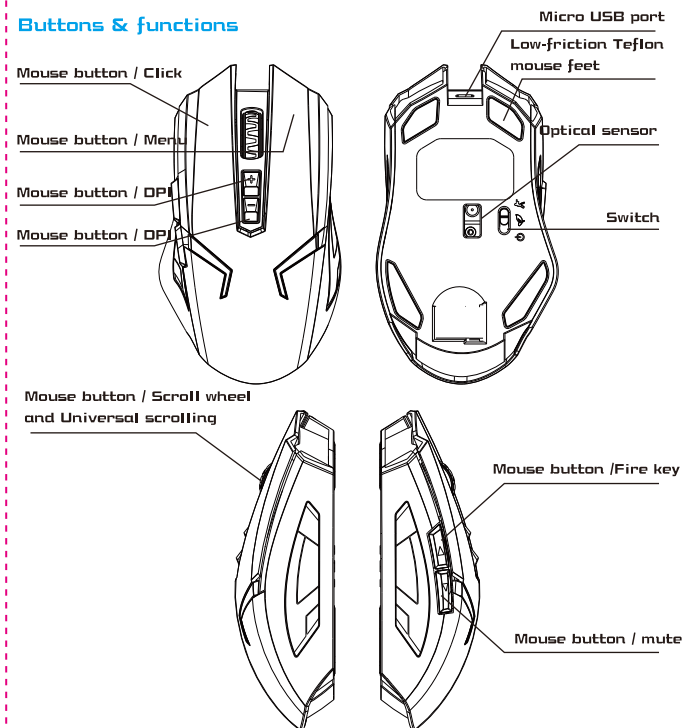
1.Put the Micro USB into the mouse, and the other end into the USB port into your computer.

2.Auto run Plug and play.

3.Follow the instruction on screen instructions.

4.Use the mouse to enjoy games.

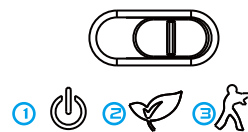
Buttons & functions



DPI show :

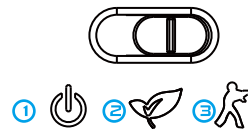
DPI	400	800	1600	2400
breathing light color	Red	Green	Blue	purple
Wireless & NO breathing light color	Blue lights flash one times	Blue lights flash twice	Blue lights flash three times	Blue lights flash four times

Switch Description :



1. Turn off the power
2. Turn on the power without breathing light
3. Turn on the power with breathing light

Rechargeable :



When mouse need rechargeable, move the switch to the second stage or the third.

Wheel Blue Light :

low voltage : Wheel blue light, three seconds flashes once,
rechargeable : Wheel blue light, continuous light .
Fully charged : Wheel blue light, turn off the lights.

Instructions for Macro setting

Select the macro manager page

At select Macro, you can set the marco to button, to create new macro or delete the macro.

If you want create new marco, must name the marco.

Confirm name of the marco and then press Record to start record actions into marco.

When action finish or max record limit reached, press Stop to complete record.

Displayed characters limit : 40

Select the macro managing page

In the managing page, you can set the macro to button, create new macro or delete the macro, Select use patterns for the macro.

包裝內容

光學滑鼠 x 1 PCS

USB傳輸線 x 1 PCS

使用說明書 x 1 PCS

系統需求與硬體需求

視窗作業系統 Windows XP / Vista / 7 / 8 / 8.1 / 10

額定電壓 : 5V

額定輸入電流 : < 20 mA

安裝

2.4GHz 模式

接收器和滑鼠的頻率在工廠已經連結

1.將接收器插入電腦的USB插孔，電腦將自動執行新增硬體安裝

2.完成安裝程序後，即可使用滑鼠，如遇安裝成錯誤或失敗請重複步驟1

有線模式

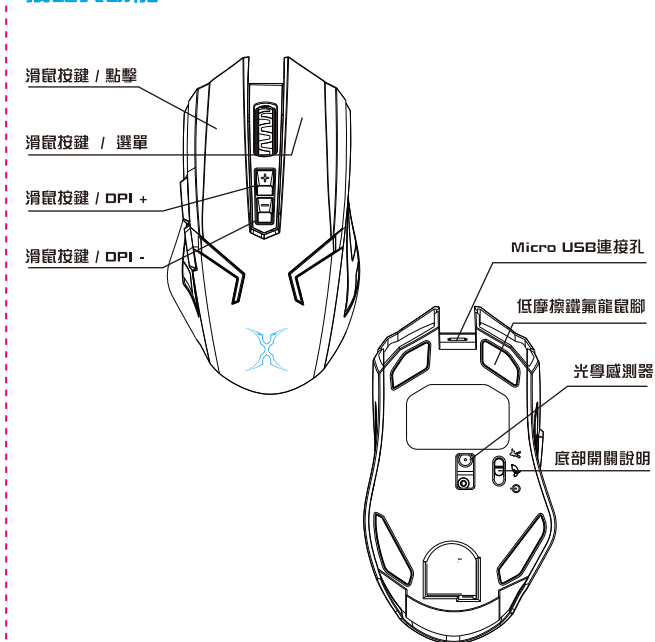
1.將傳輸線的Micro USB連結滑鼠，另一頭插入您電腦上的USB連接埠

2.自動執行驅動即插即用功能

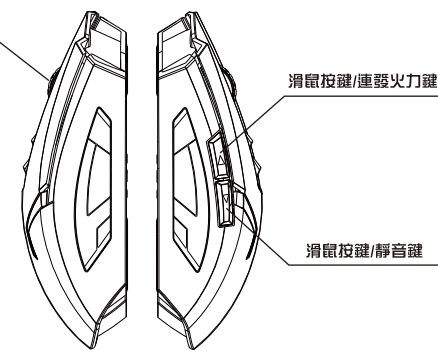
3.依照螢幕上的說明進行操作

4.使用滑鼠來享受遊戲吧

按鍵與功能



滑鼠按鍵 / 滾輪與通用捲動



DPI顯示 :

DPI	400	800	1600	2400
呼吸指示燈顏色	紅	綠	藍	紫
無線無呼吸燈時	藍燈閃一下	藍燈閃兩下	藍燈閃三下	藍燈閃四下

底部開關說明 :



- 1.關閉電源
- 2.不開呼吸燈
- 3.開呼吸燈

滑鼠充電 :



滑鼠需充電的時候
須將開關開到第二段或第三段

滾輪藍燈 :

低電壓 : 滾輪藍燈，三秒閃一次

充電中 : 滾輪藍燈，常亮

充電飽 : 滾輪藍燈，熄滅

重建出廠原始值

當滑鼠無任何動作時，可藉由重新設定IO，讓滑鼠再次正常動作

1. 確認滑鼠內建充電電池是否仍有電量，如沒有，請進行充電的動作

2. 重新拔插2.4GHz 無線接收器

3. 切換到無線模式

4. 中右鍵同時按下

(需在重新拔插2.4GHz 無線接收器後15秒內完成步驟2跟步驟3)

如果還是無法使用，請撥打客服專線

Warning:

This device complies with Part 15 of the FCC Rules. Operation is subject to the following two conditions: (1) this device may not cause harmful interference, and (2) this device must accept any interference received, including interference that may cause undesired operation. changes or modifications not expressly approved by the party responsible for compliance could void the user's authority to operate the equipment.

NOTE: This equipment has been tested and found to comply with the limits for a Class B digital device, pursuant to Part 15 of the FCC Rules. These limits are designed to provide reasonable protection against harmful interference in a residential installation. This equipment generates, uses and can radiate radio frequency energy and, if not installed and used in accordance with the instructions, may cause harmful interference to radio communications. However, there is no guarantee that interference will not occur in a particular installation. If this equipment does cause harmful interference to radio or television reception, which can be determined by turning the equipment off and on, the user is encouraged to try to correct the interference by one or more of the following measures:

- Reorient or relocate the receiving antenna.
- Increase the separation between the equipment and receiver.
- Connect the equipment into an outlet on a circuit different from that to which the receiver is connected.
- Consult the dealer or an experienced radio/TV technician for help.

NOTE: This device and its antenna(s) must not be co-located or operation in conjunction with any other antenna or transmitter.