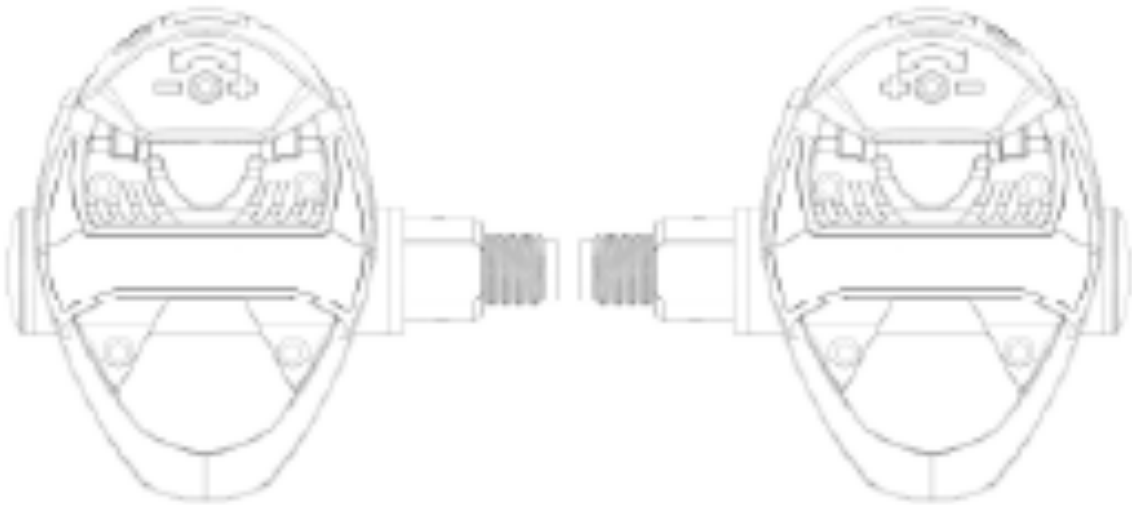


USER GUIDE



WARNING: Read this manual in its entirety before using this product. Improper use could result in damage to the product or lead to injury

TABLE OF CONTENTS

- CHAPTER 1 Pedal specifications
- CHAPTER 2 Installation and Removal -Tension Adjustment
- CHAPTER 3 Pairing
- CHAPTER 4 Calibration and manual zero - Temperature Compensation
- CHAPTER 5 Battery replacement
- CHAPTER 6 Firmware
- CHAPTER 7 Precautions
- CHAPTER 8 Warranty

PACKAGE CONTENTS

- Right pedal
- Left pedal
- Pedal washers (pair)
- Batteries (CR-2032)
- Alignment Tool



Alignment Tool

TOOLS REQUIRED

- 5mm HEX
- 6mm HEX
- Provided alignment tool

CHAPTER 1: PEDAL SPECIFICATIONS

MEASUREMENT

Power Range	0-2600W
Power Accuracy	+ and - 1%
Cadence Range	10-200 rpm
Sensor	Full bridge thin film strain gauge
Sample Frequency	Up to 2000 samples per seconds
Temperature Compensation	Full continuous temperature compensation

FEATURES

Wireless Communication	ANT+ and Bluetooth Smart
Transmits	Total Power
When using iQsquare left and right power meter	L R Power Balance Pedal Smoothness Torque Effectiveness
Transmits Cadence	Yes

BATTERY

Battery Type	3V CR2032 lithium coin cell
Replaceable	By User
Battery Life	Up to 140 hours
Auto Sleep	On/Off
Low Battery Warning	ANT+ message

CONFIGURATION

Configuration App	iQsquare configuration app for IOS and Android
Firmware Updatable	Through iQsquare configuration app
User Configuration	Crank length Power compensation to align with indoor trainer

DIMENSIONS

Dimensions	95 x 105 x 35 mm
Q-Factor	55 mm
Weight	210 gram per side including battery
Pedal Threading	9/16"-20 tpi

ENVIRONMENT

Temperature Range	-10 ~ 50 degrees Celsius
Water Proof Rating	Manufactured to the IP54 standard
Max Rider Weight	120 kg

MISC	Warranty 2 years
------	------------------

CHAPTER 2: INSTALLATION AND REMOVAL

PEDAL INSTALLATION

Please scan the QR code in the packaging to find the detailed installation instruction video. You will need a 6mm hex key, the provided Alignment tool. We strongly advice to use a torque wrench when tightening during installation.

CLEAT INSTALLATION

Note: iQsquare pedals are compatible with Look Keo. But could be that they are NOT compatible with other similar looking cleats. For installation off the cleats please refer to you shoes manual.

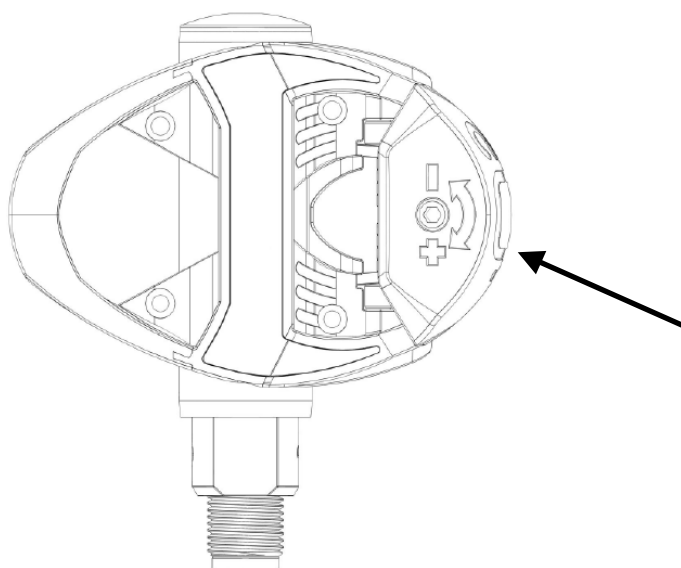
TENSION ADJUSTMENT

If you like to adjust the release tention this is easy to do. Turn the screw on top off the pedal back.(see image)

Turn clockwise increase te tention.

Turn anti clockwise to release the tention.

Do not try to turn the screw past the end stop, this may result in damage.



Note: Cleats need to be replaced periodically based on individual rider use. If cleats are showing signs of wear or are not engaging and disengaging from the pedal as normal do not adjust the tention but replace the cleats.

CHAPTER 3: PAIRING

PEDAL PAIRING

If the pedal is 1 minute without movement it goes to sleep to conserve battery life. After a couple off rotations off the crank your iQsquare pedal wakes up.

PAIRING

After installing the pedals to you crank arms open the iQsquare app, spin the crank arm to wake up the pedals.

And follow the steps in the app. Your iQsquare Power meter should now be correctly installed.

To pair:

1. Awake both pedals by spinning the crank arms.
2. Go to the SENSORS screen on your cycling computer or watch and follow the pairing instructions of you device.
3. The pedal broadcasts data using Bluetooth Smart and ANT+ simultaneously. You can pair your pedal to any device using either of these wireless protocols.

Bluetooth Smart

Bluetooth Smart is the low energy version of Bluetooth wireless technology. Learn more about this technology visit www.bluetooth.com

ANT+

ANT+ is a low energy form of wireless technology used in many sport electronics. To learn more about ANT+ visit www.thisisant.com

CHAPTER 4: CALIBRATION AND MANUAL ZERO

CALIBRATION

The iQsquare power meter is fully factory calibrated. So no need to do this after receiving your pedal set.

Manual zero (zero offset)

After your first installation it's important to calibrate it the correct way. Place you cranks in the 12 - 6 o'clock position.

iQsquare app: open the app connect with your iQsquare Power meter and tick the Zero offset button.

Cycling computer: follow the manufacturers instruction to do a zero offset.

If you like you can do this proces every ride, but it's not mandatory. We advice to do a zero offset after re-installing the pedals, offer your first ride and after you drop your bike. In normal use it's only needed to do the zero offset every 3 month.

Temperature Compensation

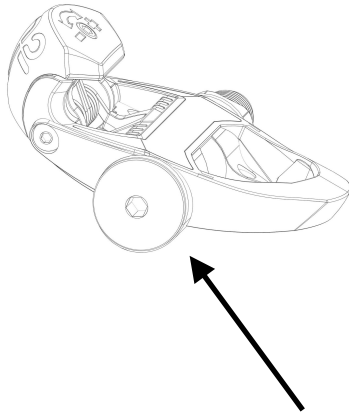
The iQsquare Power meter has full auto Temperature Compensation. Temperature effects on the power reading is with in the 1% accuracy.

Note: When preforming a Zere offset please place bike in up-right position with crank arms in 12 - 6 o'clock rotation. Hold the bike stil and make shore the pedals are not moved or touched during the proces. Also unclip your shoes of the pedals. Is something when wrong just re do the zero offset.

CHAPTER 5: BATTERY REPLACEMENT

BATTERY REPLACEMENT

To place the provide CR-2032 remove the battery cover with a 5mm hex key.



Note: only use the straight edge of a 5mm Hex key to loosen the cover.

Place the + side off the CR-2032 on battery cap (magnetic)

Make shore the battery is centered and install it by replacing the battery cover and tighten it with the straight side of your 5mm hex key but do not overtighten. This can result in damage that could not be covered by the warranty.

We advice to replace your battery in clean/dry conditions.

Damage caused by batteries, wrong placement is not covered under the warranty of the pedals. Remove batteries from the pedal system if they will be unused for longer than a month. Use only lithium batteries with the pedal system. Alkaline batteries could damage the pedals.

CHAPTER 6: FIRMWARE

FIRMWARE UPDATES

Firmware update can be done OTA.

Open the iQsquare app and connect to the pedals. If there is a update available it will show on the configuration page. Here you can click the update button and follow the proces. During the proces keep your phone near the power meter. Do not disconnect as this can result in not working Power meter. Over-the-Air firmware updates can only be done with the official iQsquare app from the App Store.

The over the air (OTA) firmware update is done true BLE.

Bluetooth must be turned "on" on your device.

CHAPTER 7: PRECAUTIONS

PRECAUTIONS

Do not submerging pedals in water. Do not spray direct high pressure water spray. Damaging chemicals like diesel, kerosene and other strong solvents are also potentially damaging.

It could be that this voids your warranty.

Some of the electronics inside the pedal are sensitive to strong magnets and if your pedals come in close contact with strong magnets they may begin transmitting abnormal data. If you think your pedals were exposed to the magnetic field of a strong magnet please remove battery and leave for one or two day's. They should be working fine after this. If not please contact our support team.

LONG TERM STORAGE

If the pedals will not be used for an extended period of time (2 months or more) remove the batteries to prevent excessive battery drain and potential battery vomiting.

CHAPTER 8: WARRANTY

OFFICIAL WARRANTY TERMS

New iQsquare pedals come with 2y warranty. The warranty is only vallid for the original buyer.

If pedals are sold the warranty is not transferable and will stop.

Replacement pedals new or refurbish pedals wil have the same warranty dates as the original bought pedals.

CHAPTER 9: WARRANTY CONTINUED

FCC STATEMENT

This device complies with Part 15 of the FCC Rules. Operation is subject to (1) This device may not cause harmful interference, and (2) This device must accept any interference received, including interference that may cause undesired operation.

The grantee is not responsible for any changes or modifications not expressly approved by the party responsible for compliance. Such modifications could void the user's authority to operate the equipment. This equipment has been tested and found to comply with the limits for a Class B digital device, pursuant to part 15 of the FCC Rules.

These limits are designed to provide reasonable protection against harmful interference in a residential installation. This equipment generates, uses and can radiate radio frequency energy and, if not installed and used in accordance with the instructions, may cause harmful interference to radio communications. However, there is no guarantee that interference will not occur in a particular installation. If this equipment does cause harmful interference to radio or television reception, which can be determined by turning the equipment off and on, the user is encouraged to try to correct the interference by one or more of the following measures:

- Reorient or relocate the receiving antenna.
- Increase the separation between the equipment and receiver.
- Connect the equipment into an outlet on a circuit different from that to which the receiver is connected.
- Consult the dealer or an experienced radio/TV technician for help.

The device has been evaluated to meet general RF exposure requirement. The device can be used in portable exposure condition without restriction.