

深圳市利信辉电子有限公司

天线规格承认书

Antenna Specification for Approval

客户名称

Customer Name: 鑫纳电子

产品名称: _

Product Name: 2.4G天线 全长35mm

客户型号:

Product Name: _____

产品料号:

Part NO.: C10-35-2.5

制表:

Write By: 周敏

日期:

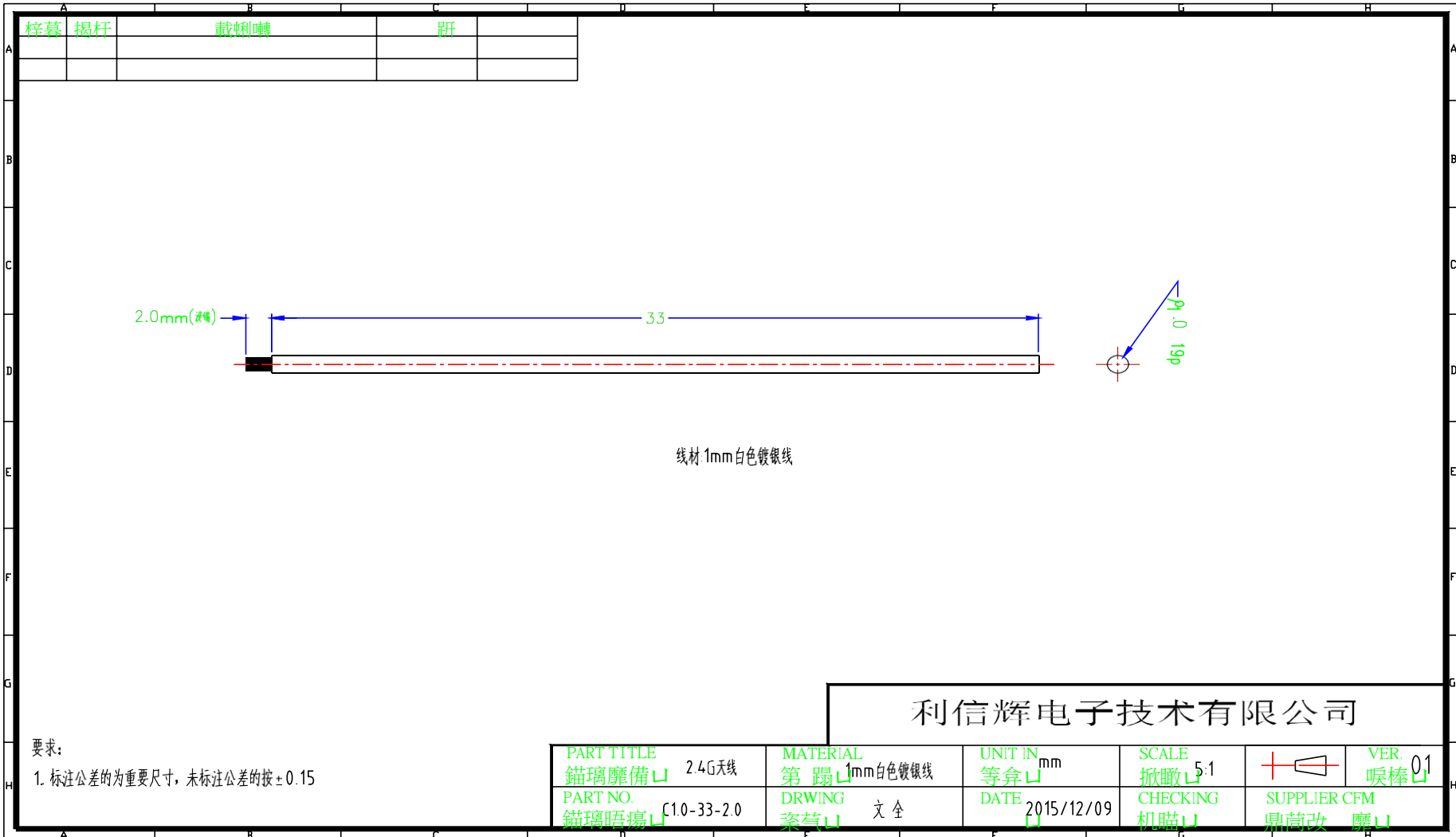
Issued Date: 2018/04/24

客 户:

工程R&D Dept	采购Business Dept	承认 Approved By

利 信 辉

研发R&D Dept	工程 Engineer Dept	审核 Approval



Product Specification

A. Electrical Characteristics

Frequency 2400MHz ~2500MHz

VSWR <3.0

Efficiency >30%

Impedance 50 Ohm

Polarization Line

Gain 0DBi

B. Material & Mechanical Characteristics

Material of Radiator Cu

Cable Type 1.0 19P 白色

Connector Type : NO

Dimension

C. Environmental

Operation Temperature - 30 °C ~ + 80 °C

Storage Temperature - 30 °C ~ + 85 °C

Test Equipment & Conditions

1. Network Analyzers :

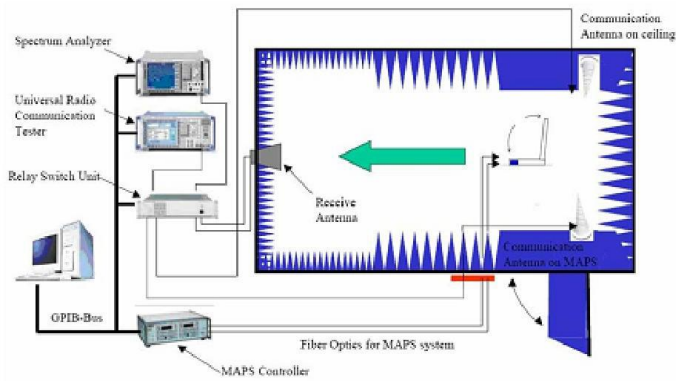
Agilent 8753D 5071B

2. Communications Test Set:

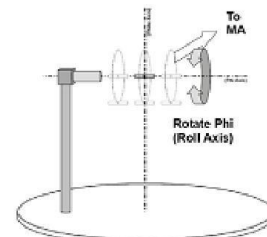
Agilent E5515C

3. 3D Chamber Test System

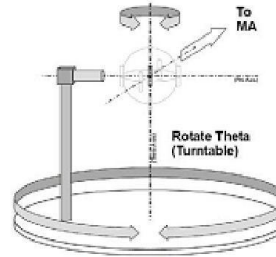
Efficiency & Gain



(Testing by 3D anechoic chamber)



Phi axis test

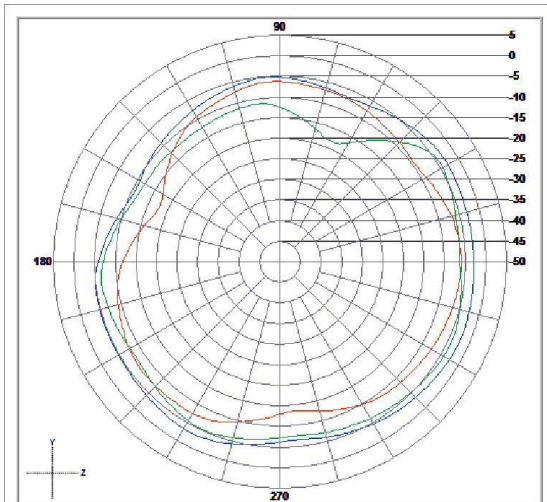


Theta axis test

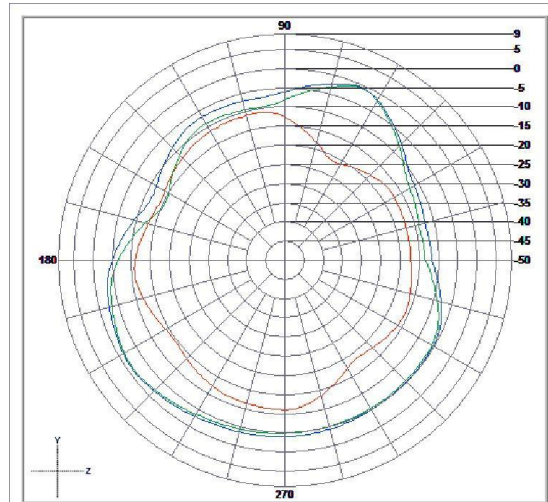
Efficiency & Gain

2.40	-0.00
2.440	-0.11
2.48	-0.13

Radiation Pattern:



	Vertical	Horizontal	Total
Avg. Gain	-8.4	-6.99	-4.63
Peak Gain	-5.48	-3.77	-2.17



	Vertical	Horizontal	Total
Avg. Gain	-13.34	-5.06	-4.46
Peak Gain	-10.3	0.09	0.12

